

VISION FREE TOM COUPON

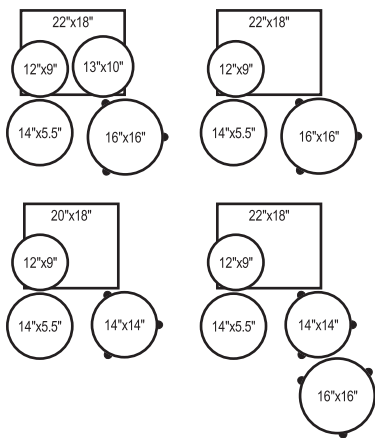
1. Purchase any in stock, (special orders do not qualify) new model, Pearl Vision Drum Set (minimum 4 pieces, can include snare drum) from an Authorized Pearl Dealer between 5/1/09 and 12/31/09 and become eligible for a free 8" or 10" matching tom with mounting hardware.
2. Coupon must be postmarked no later than 1/15/10.
3. Fill out this coupon completely. Incomplete forms will not be accepted.
4. Mail this form with your sales receipt to:

Free Vision Tom Offer
P.O. BOX 11240
Nashville, TN 37222-9938

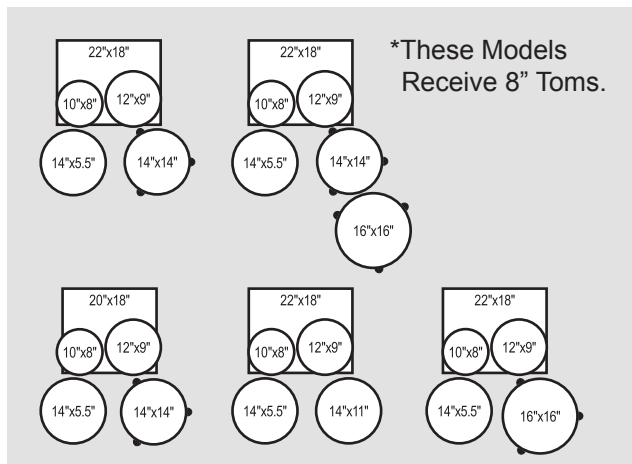
Step 1: Check Your Color

VISION VMX		VISION VSX		VISION VBX		VISION VX	
<input type="checkbox"/> No.266 Terracotta	<input type="checkbox"/> No.280 Vintage Wine	<input type="checkbox"/> No.431 Strata Black	<input type="checkbox"/> No.436 Strata Red	<input type="checkbox"/> No.330 Clear Birch	<input type="checkbox"/> No.232 Ruby Fade	<input type="checkbox"/> No.31 Jet Black	<input type="checkbox"/> No.42 Ivory
<input type="checkbox"/> No.309 Glacier White	<input type="checkbox"/> No.360 Silver Sparkle Lacquer	<input type="checkbox"/> No.442 Black Sparkle	<input type="checkbox"/> No.443 Champagne Sparkle	<input type="checkbox"/> No.234 Black Ice	<input type="checkbox"/> No.235 Concord Fade	<input type="checkbox"/> No.43 RB Blue	<input type="checkbox"/> No.54 Metallic Orange
<input type="checkbox"/> No.362 Red Sparkle Lacquer		<input type="checkbox"/> No.444 Orange Sparkle	<input type="checkbox"/> No.445 Strata Gold	<input type="checkbox"/> No.236 Orange Zest	<input type="checkbox"/> No.237 Harvest Fade	<input type="checkbox"/> No.84 Olive Green	<input type="checkbox"/> No.91 Red Wine

Step 2: Circle Your Configuration



*These Models Receive 10" Toms.



*These Models Receive 8" Toms.

Step 3: Fill in Mailing Information

Step 4: Attach Sales Receipt

Name _____

Address _____
NO P.O. BOXES

City _____ ST _____ Zip _____ eMail _____

-Terms & Conditions-

Terms and Conditions - Drums must be purchased through an Authorized Pearl Dealer. Customer must specify color & configuration. Please allow 8 to 12 weeks for delivery. Offer valid May 1st, 2009 through December 31st, 2009. Valid Vision product includes all current VMX, VBX, VX, and VSX colors. Discontinued colors not eligible. Offer valid on purchase of specified product(s) only. Submit this coupon completely filled out with the original sales receipt to Pearl Corporation, ATTN: FREE VISION TOM OFFER, P.O. BOX 11240 Nashville, TN 37222-9938. Incomplete forms will be denied. Your coupon must be postmarked prior to deadline. Manufacturer is not responsible for lost, damaged or misdirected mail. Limit ONE add-on tom per set, per person, receipt, household family or address. Giveaway to not exceed required item purchase price. This offer cannot be combined with any other offer on the same product. Requests from PO boxes WILL NOT be accepted. Requests with invalid or undeliverable mailing address will be denied. Offer limited to end-users only. Offer void where taxed, restricted, or prohibited by law. This offer valid in US only. Keep copies of all materials submitted. Originals become manufacturers property and will not be returned. WARNING: Fraudulent submission could result in federal prosecution under mail fraud statutes (Title 18, USC Sections 1341 & 1342.) If you have not received your product within 12 weeks call 1-615-833-4477.

