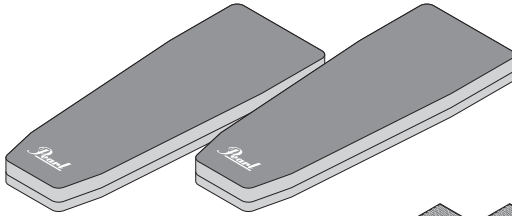


PEARL DRUMS EQUIPMENT PEDAL ISOLATOR

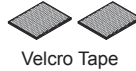
Instruction Manual

Congratulations on your purchase!

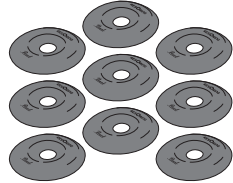
For optimum performance, please read this Instruction Manual before playing.



PEDAL ISOLATOR
(For Bass Drum and Hi-Hat Pedals)



Velcro Tape



RESORING

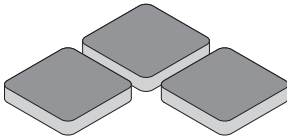
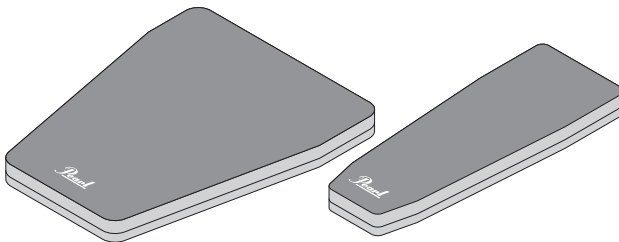


Plate for Hi-Hat Stand

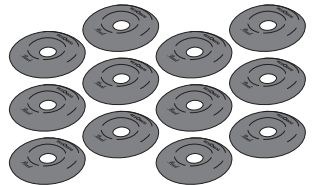
Components (Single Pedal Plate Set)

- PEDAL ISOLATOR for Bass Drum and Hi Hat Pedals .. (x2)
- Plate for Hi-Hat Stand (x3)
- RESORING (x9)
- Velcro Tape (x2)



PEDAL ISOLATOR
(For Bass Drum and Hi-Hat Pedals)

PEDAL ISOLATOR
(For Bass Drum Pedal)



RESORING

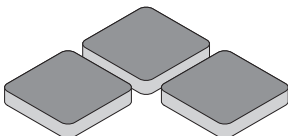
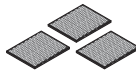


Plate for Hi-Hat Stand



Velcro Tape

Components (Double Pedal Plate Set)

- Double PEDAL ISOLATOR
for Bass Drum and Hi Hat Pedals (x1)
- PEDAL ISOLATOR for Bass Drum Pedal (x1)
- Plate for Hi-Hat Stand (x3)
- RESORING (x12)
- Velcro Tape (x3)

Assembly Instructions

1. Pedal Preparation with Velcro Installation

Remove the protective backing of the Velcro Tape. Next, attach the Velcro Tape's adhesive side to the bottom of the Bass Drum and Hi-Hat Pedals, as shown in (Fig.1).

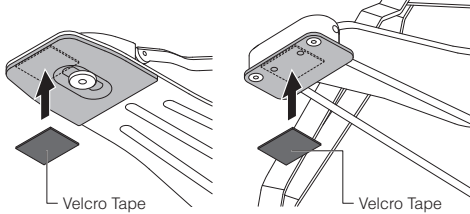


Fig.1

NOTE

The Velcro side is designed to work with the fabric side of the Pedal Isolator.

2. RESORING Installation

The RESORING fits into the circular cavity located on the bottom of the PEDAL ISOLATOR. To install, push the outer edge of the RESORING downward into the sides of the circular cavity (Fig.2-A, 2-B).

Once complete, the RESORING will be held into place. Repeat this process until all RESORING have been installed.

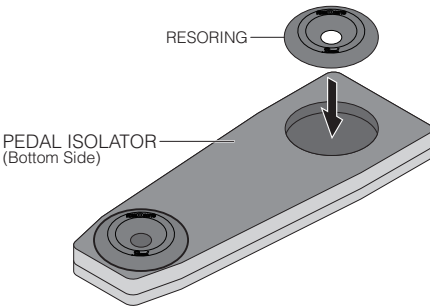


Fig.2-A

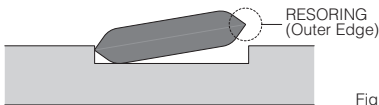


Fig.2-B

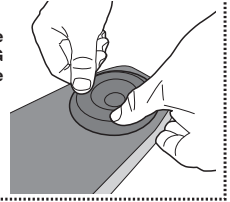
NOTE

Single PEDAL ISOLATOR for Bass Drum or Hi-Hat Pedals accepts two RESORINGS each.

*Double PEDAL ISOLATOR for Bass Drum and Hi-Hat Pedals accepts five RESORINGS each.

TIP

Use your thumbs to push the outer edges of the RESORING into the circular cavity of the PEDAL ISOLATOR.



3. Bass Drum Pedal Attachment to PEDAL ISOLATOR

With the RESORINGS installed on the PEDAL ISOLATOR, place it on a sturdy flat surface with the RESORINGS down. Place the Bass Drum Pedal onto the PEDAL ISOLATOR's fabric side, so the bottom of the pedal is fully supported (Fig.3). The Velcro Tape previously installed on the pedal's heel will help secure the pedal to the PEDAL ISOLATOR.

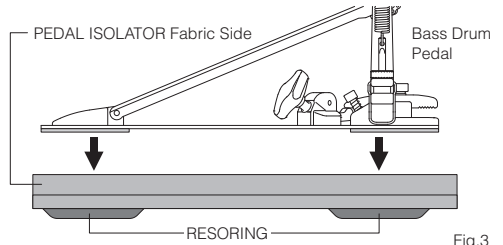


Fig.3

4-A. Attach the Pedal with PEDAL ISOLATOR to the (EMEBP) Acoustic Style Bass Drum Pad

Connect the Bass Drum Pedal with PEDAL ISOLATOR to the e-Pad Bass Drum Hoop and tighten the pedal hoop-clamp to secure it into place.

Next, place a RESORING under each of the corresponding Spurs of the Bass Drum Pad and make any necessary adjustments to the Spurs to set the Pad's playing angle in a vertical position (Fig.4). Tighten and secure Pedal and Spur Wing-Bolts before use.

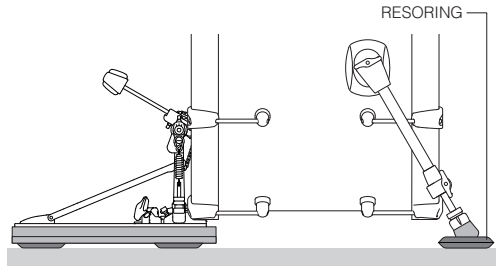


Fig.4

4-B. Attach the Pedal with PEDAL ISOLATOR to the (EMKCPC) Bass Drum Pad

Connect the Bass Drum Pedal with PEDAL ISOLATOR to the e-Pad clamp surface and tighten the pedal hoop-clamp to secure it into place. Next, place a RESORING under each of the corresponding legs of the Bass Drum Pad and make any necessary adjustments to the legs setting the pad in a vertical position (Fig.5). Tighten and secure all Wing-Bolts before use.

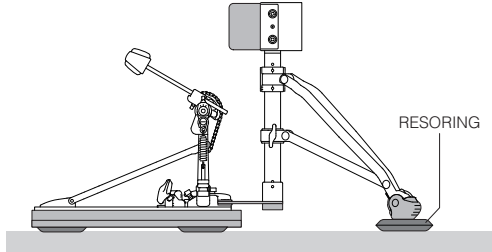


Fig.5

5. Hi-Hat Stand Attachment to PEDAL ISOLATOR

With the RESORINGS installed on the PEDAL ISOLATOR, place it on a sturdy flat surface with the RESORINGS down. Place the Hi-Hat Stand Pedal onto the PEDAL ISOLATOR's fabric side, so the bottom of the pedal is fully supported (Fig.7). The Velcro Tape previously installed onto the heel of the pedal will help secure the pedal to the PEDAL ISOLATOR.

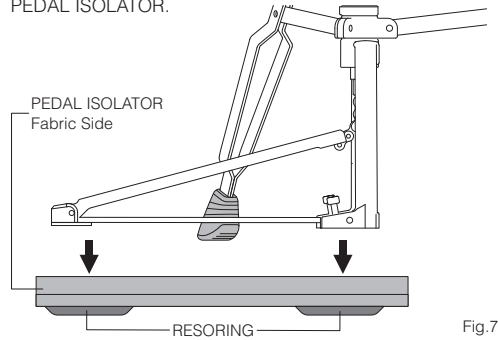


Fig.7

Next, place a RESORING on each of the three corresponding Plates for the Hi-Hat Stand legs and move them into position to accept the stand's Rubber Feet. Make necessary adjustments to the Hi-Hat stand's tripod to ensure a sturdy vertical position (Fig.8). Tighten the tripod Wing-Bolt to secure.

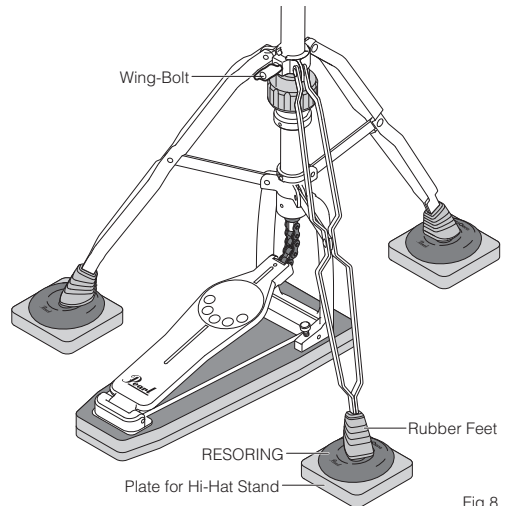


Fig.8

NOTE

If needed, please refer to your eMerge Owners Manual to adjust the EMKCPC Bass Drum Pad angle or height.

NOTE

For optimum playability, set the bass drum pedal beater angle to connect with the pad vertically (Fig.6-A, 6-B). To achieve this, refer to your respective product Owner's Manual to make any necessary adjustments to both the pedal and the pad.

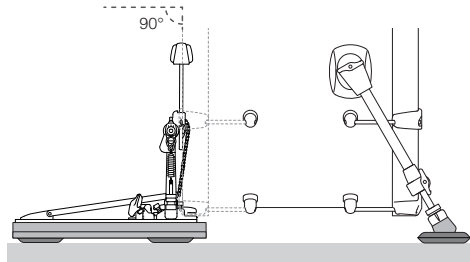


Fig.6-A

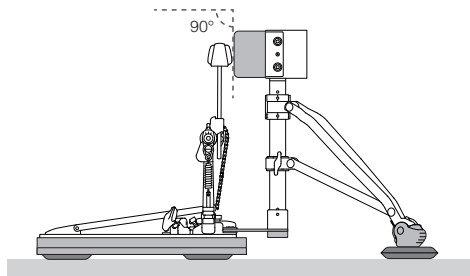


Fig.6-B

TIP

If the Hi-Hat stand wobbles, loosen the tripod Wing-Bolt and push the legs down to create more contact between the Rubber Feet and the RESORINGS until the wobble is eliminated. Check to ensure the stand is vertical with the pedal and legs fully supported. Tighten the Wing-Bolt to secure.

6. Installation of the Double PEDAL ISOLATOR

Repeat Step #5 to install the Hi-Hat Stand to the Double PEDAL ISOLATOR's left side. Next, place the auxiliary Bass Drum Pedal with Velcro installed on the bottom onto the PEDAL ISOLATOR's right side, and position the Hi-Hat legs, as shown in (Fig.9). If necessary, rotate the legs of the stand to avoid interference with the Bass Drum Pedal. Check to ensure the stand is stable and vertical.

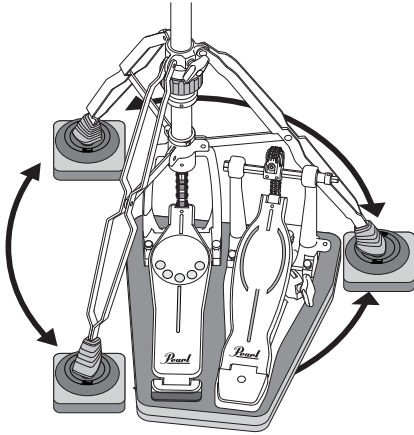


Fig.9

7. Bass Drum Pedal Drive Shaft Connection

Check to ensure the auxiliary Bass Drum Pedal is in a comfortable playing position and functions freely.

Next, connect the Drive Shaft to the pedal and tighten Key-Bolt (A) first, then Key-Bolt (B) (Fig.10). If needed, make the necessary adjustments to the length of the Drive Shaft to perform this step. Tighten and secure all Wing-Bolts and Key-Bolts before use.

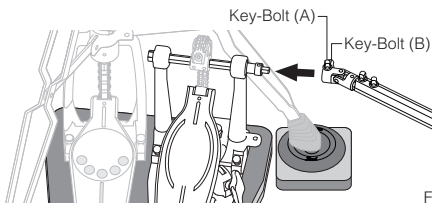


Fig.10

TIP

Some Hi-Hat Stands have limited leg adjustment that may prevent the Rubber Foot of the stand from being fully inserted into the RESORING, making the stand unstable. To alleviate this, flip the RESORING and Hi-Hat Stand Plate over to place the RESORING directly on the floor with the Hi-Hat Stand Plate on top (Fig.11). Place this combination under each Rubber Foot and make any necessary adjustments to the tripod to ensure the stand is vertical and stable.

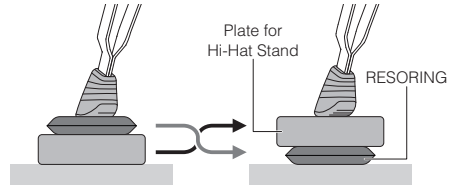


Fig.11

CAUTION

◆ Periodically check all Wing-Bolts and Key-Bolts to ensure they are tight.

California Proposition 65



Pearl[®]

<https://www.pearldrums.com>

Products and specifications are subject to change without notice.

Printed in China

Feb 2021