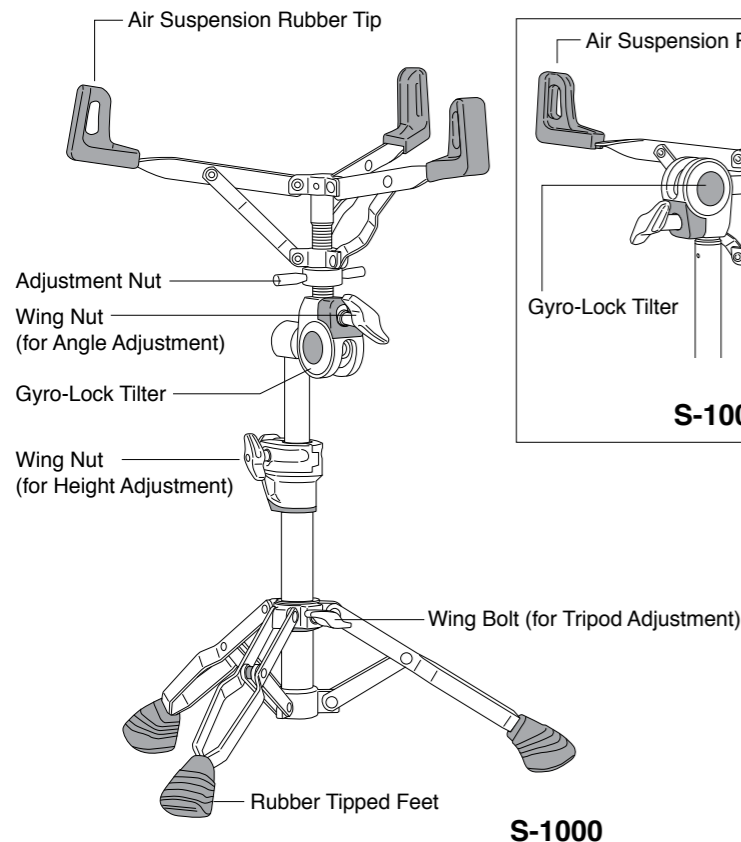


PEARL SNARE DRUM STAND

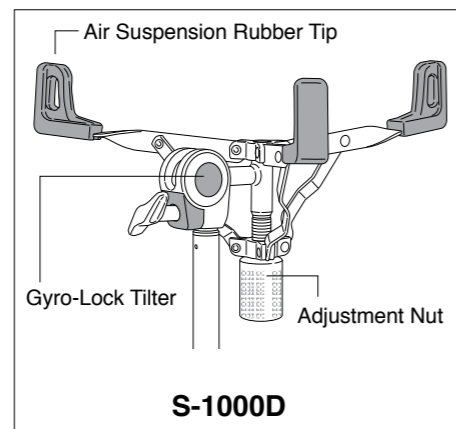
S-1000 / S-1000 D

Instruction Manual

Congratulations on your purchase!
To get optimum performance from your S-1000 / S-1000D Snare Stand, please read this Instruction Manual before playing.



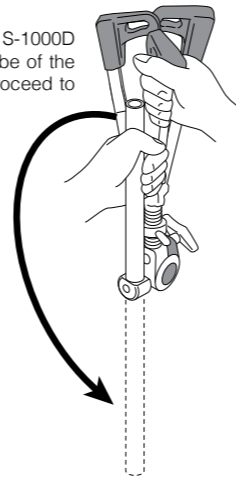
S-1000



S-1000D

Unpacking

After unpacking your S-1000 / S-1000D Snare Drum Stand turn the tube of the top section as shown, then proceed to the assembly step.

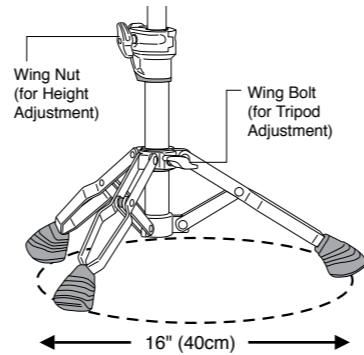


Caution

When handling tubular hardware, do not put your fingers into the tubes to prevent injury to your fingers.

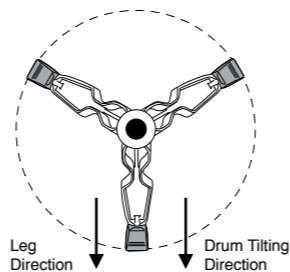
Assembly

Assemble the S-1000 / S-1000D Snare Stand as shown below.



Caution

For optimal stability, the base of the S-1000 / S-1000D should be opened to at least 16" (40cm) regardless of the size of the drum mounted to the stand.

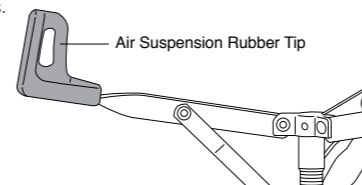


Caution

For optimal stability, one leg should be placed in the same direction as the tilt of the drum.

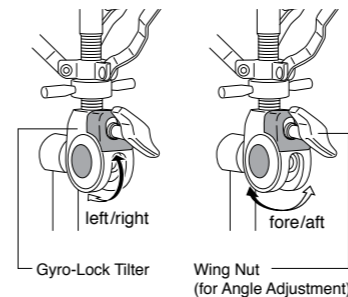
Air Suspension Rubber Tips

The S-1000's / S-1000D's Air Suspension Rubber Tips gently cushion the drum to allow maximum resonance while providing excellent grip, even when the drum is tilted at extreme angles.



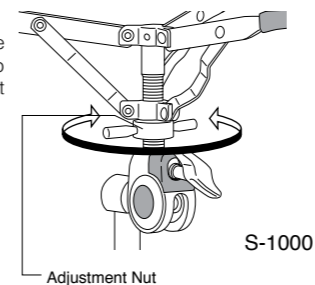
Gyro-Lock Tilter

The S-1000 / S-1000D tilter is infinitely adjustable and allows the drum to be tilted fore/aft and left/right at the same time for precise placement.

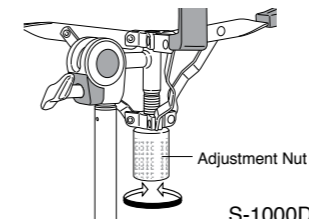


Adjustment Nut

Tighten the Adjustment Nut to grip the drum. Do not overtighten.



S-1000



S-1000D

Caution

- ◆ When adjusting the height and tilt of the drum, support the drum with one hand while slowly making adjustments with your free hand to prevent the stand from falling and pinching fingers that may be in the way.
- ◆ When folding the tripod legs, be careful not to pinch your fingers between the legs and the stand.
- ◆ When handling tubular hardware, do not put your fingers into the tubes to prevent injury to your fingers.

