

PEARL DRUM THRONE

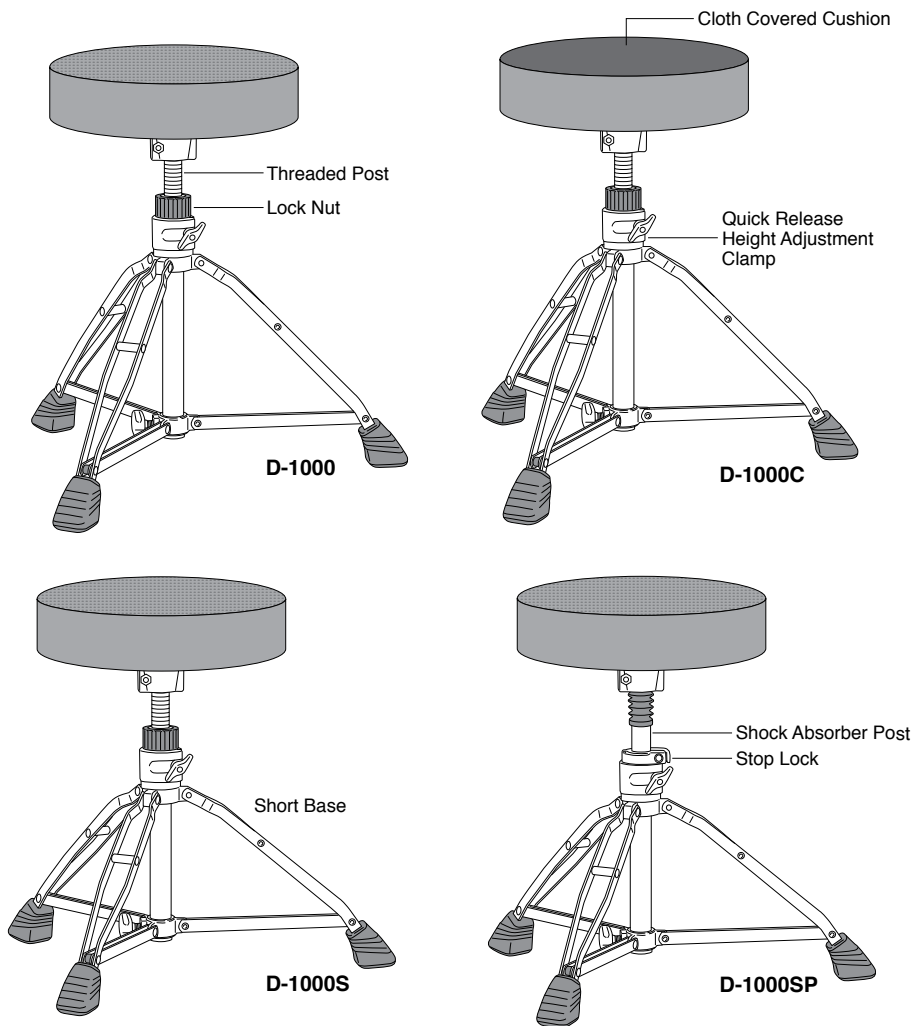
D-1000 / D-1000C

D-1000S / D-1000SP

Instruction Manual

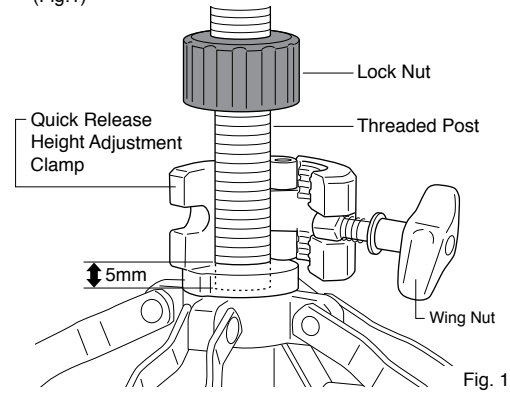
Congratulations on your purchase!

To get optimum performance from your Drum Throne, please read this Instruction Manual before playing.



Quick Release Height Adjustment Clamp

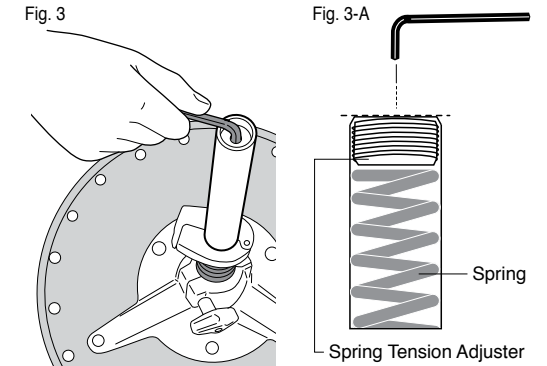
1. Loosen the Wing Nut and open the Clamp. Lift the Threaded Post and spin the Lock Nut to the approximate desired height.
2. Close the clamp and latch the Wing Nut but only tighten it slightly.
3. Spin the Threaded Post until the desired height is achieved.
4. Tighten the Wing Nut securely then securely tighten the Lock Nut against the Clamp. (Fig. 1)



D-1000SP Spring Tension Adjustment

The D-1000SP features a Shock Absorber Post with adjustable spring tension. To adjust the spring tension, remove the Post and tighten or loosen the Spring Tension Adjuster with the provided Allen wrench as shown in (Fig. 3).

Note: Do not loosen the Spring Tension Adjuster past the end of the Post as shown in (Fig. 3-A). Do not overtighten the Spring Tension Adjuster.

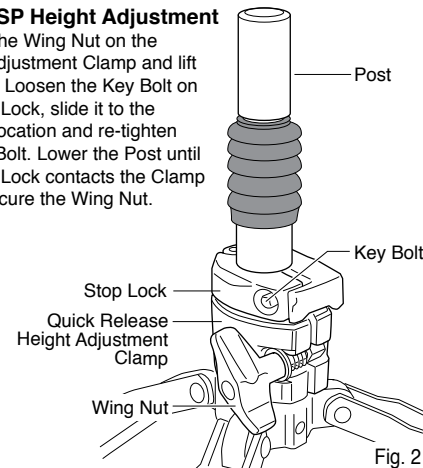


CAUTION:

- For correct operation, the threads on the Threaded Post and Clamp must be engaged properly. If they are not, turn the Threaded Post slightly until the threads match.
- When opening the Clamp, hold the Threaded Post with your free hand to keep it from dropping and pinching your fingers.
- For stability, keep AT LEAST 5mm of the Threaded Post below the clamp (please see the diagram).

D-1000SP Height Adjustment

Loosen the Wing Nut on the Height Adjustment Clamp and lift the Post. Loosen the Key Bolt on the Stop Lock, slide it to the desired location and re-tighten the Key Bolt. Lower the Post until the Stop Lock contacts the Clamp and resecure the Wing Nut. (Fig. 2)



CAUTION:

- The Drum Throne is intended for seating while playing drums. It is not designed as a ladder, footstool, or any other application other than its intended use.
- When folding the tripod legs, be careful not to pinch your fingers between the legs and the stand.
- When handling tubular hardware do not put your fingers into the tubes to prevent injury to your fingers.

Pearl

The best reason to play drums.

Products and specifications are subject to change without notice.
Printed in Taiwan 2004.