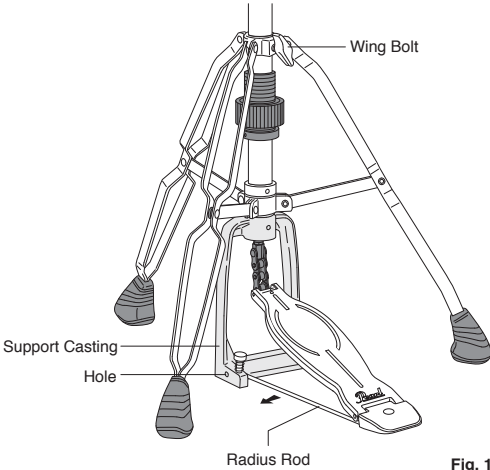


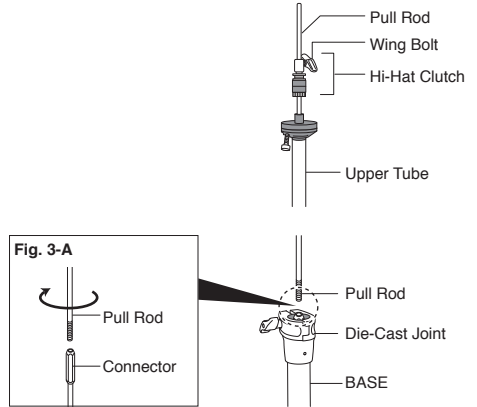
Footboard Attachment / Base Assembly

Lay the Base Assembly horizontally on the floor. Squeeze the Radius Rods together and insert the ends into the Holes in the Support Casting as shown (Fig.1). Loosen the Wing Bolt and open the legs. Stand the Base Assembly vertically and adjust the legs to form a stable tripod. The Support Casting should be flat on the floor. Tighten the Wing Bolt to secure.

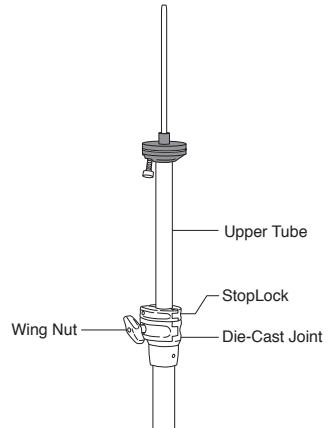


Upper Section Assembly

Remove the Pull Rod from the Upper Tube. Loosen the Wing Bolt on the Hi-Hat Clutch and remove it from the Pull Rod. Thread the Pull Rod into the Connector inside the Die-Cast Joint of the Base as shown and tighten securely (Fig.3, 3-A).

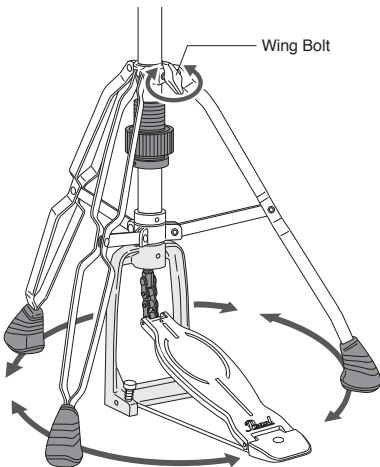


Next, loosen the Key Bolt on the StopLock and insert the Upper Tube into the Die-Cast Joint. Adjust the height of the Upper Tube to your preference and tighten the Wing Nut/Wing Bolt on the Die-Cast Joint. Slide the StopLock against the Die-Cast Joint and tighten the Key Bolt (Fig.4).



Note

The legs can be swiveled to accommodate multi-pedal set-ups. Loosen the Wing Bolt and swivel the legs to the desired position (Fig. 2).



CAUTION

Make sure that the tripod is stable and the Wing Bolt is securely tightened before playing.

Attaching the Hi-Hat Cymbals

Please have your Hi-Hat Cymbals ready. First, place the Bottom Cymbal on the Hi-Hat Cup as shown (Fig.5). Remove the Bottom Lock Nut and one of the Felt Washers from the Hi-Hat Clutch. Insert the Pull Rod through the Hi-Hat Clutch into the Top Cymbal and replace the Felt Washer and the Bottom Lock Nut as shown (Fig.5-A). Insert the Pull Rod through the Hi-Hat Clutch as shown (Fig. 5). The distance between the Top and Bottom Cymbals can be adjusted by stepping on the Footboard. Tighten the Wing Bolt on the Hi-Hat Clutch when the desired spacing is achieved.

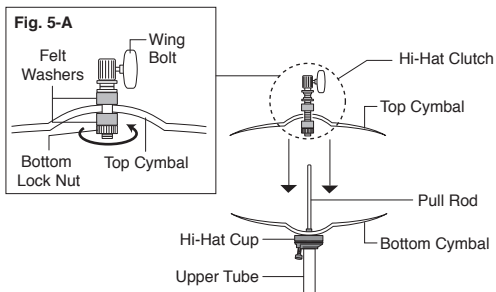


Fig. 5

Hi-Hat Cup Tilt Adjustment

The tilt on the Hi-Hat Cup can be adjusted by turning the Knob. Tilting the Hi-Hat Cup prevents "air lock" between the cymbals.

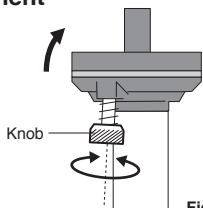


Fig. 6

Spring Tension Adjustment

The Spring Tension can be adjusted by turning the Spring Tension Adjustment Dial on the Base. Turn it clockwise to make it lighter and counterclockwise to make it stronger.

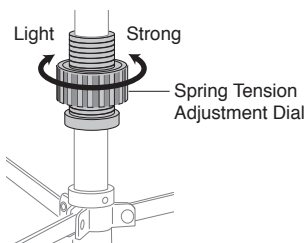


Fig. 7

CAUTION

The Base Tube is secured to the Support Casing with an Allen Screw. Periodically check it for tightness and if it's loose, tighten it with the provided Allen wrench to restore stability (Fig.8).

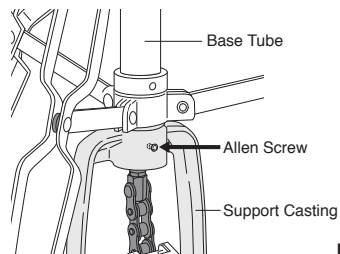


Fig. 8

Periodically lightly lube external moving parts such as the Chain, Wing Nuts, Wing Bolts, Key Bolts and the hinge on the Footboard.

Pearl[®]

<http://www.pearldrums.com>

Products and specifications are subject to change without notice.

Printed in China

-1912-