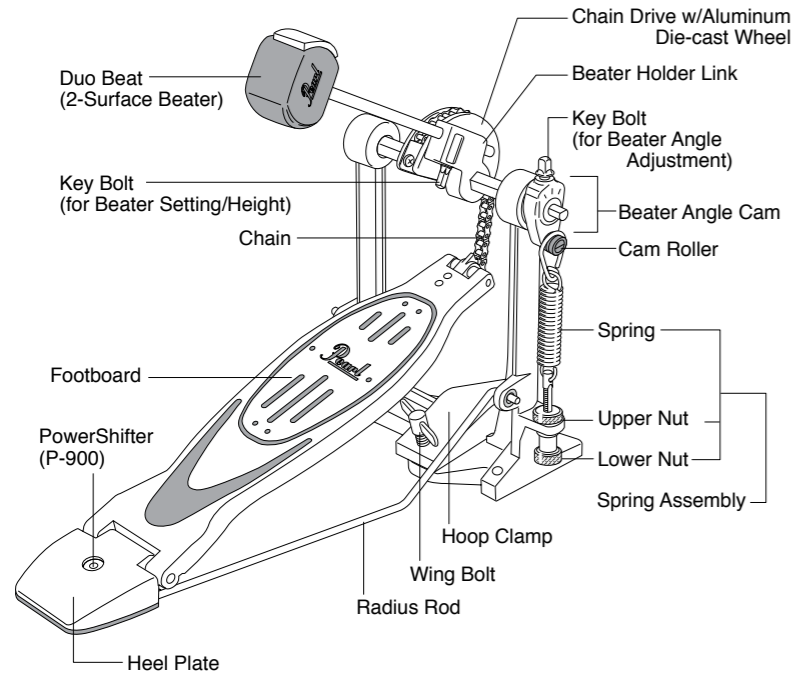


PEARL DRUM PEDAL

P-890/P-900

Instruction Manual

Congratulations on your purchase!
To get optimum performance from your Drum Pedal,
please read this Instruction Manual before playing.



(Illust : P-890)

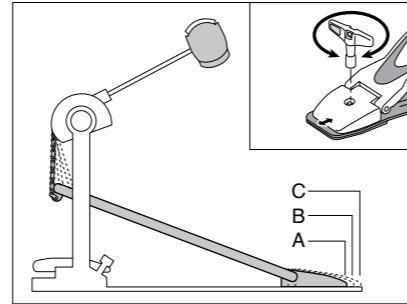
POWERSHIFTER (P-900)

The P-900 is equipped with Pearl's exclusive PowerShifter function that changes the leverage of the footboard and thus the feel of your pedal. Please refer to the chart below to determine the position best suited to your playing style.

Position	Feel
A	"STRONG"
B	"NORMAL"
C	"LIGHT"

To change the position of the PowerShifter, loosen the Key Bolt in the Heel of the Footboard and move the Footboard to the desired position: A, B, or C. Prongs under the Heel fit into holes in the Power Plate and when properly aligned, the Heel will sit flush against the Power Plate. Re-tighten the Key Bolt to secure the Heel to the Power Plate.

Note: The Heel must be flush against the Power Plate or damage to the Pedal may result.



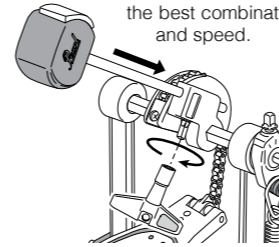
DUO BEAT (2-Surface Beater)

The Duo Beat Beater features a Felt Surface (A) for a full, warm sound and a Plastic Surface (B) for a sharper, punchier sound. Use the side that best suits your playing style.



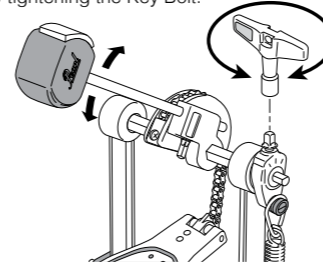
BEATER SETTING

Locate the Beater Holder Link and Key Bolt. Insert the shaft of the Duo Beat into the Beater Holder Link and tighten the Key Bolt to secure the Beater at the desired height. Experiment with different beater heights to find the best combination of power and speed.



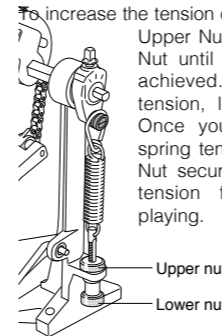
BEATER ANGLE ADJUSTMENT

Depending on your preference, the beater can be positioned closer or further away from the bass drum head. This is accomplished by loosening the Key Bolt on the Beater Angle Cam and swinging the beater to the desired angle. Re-tightening the Key Bolt.



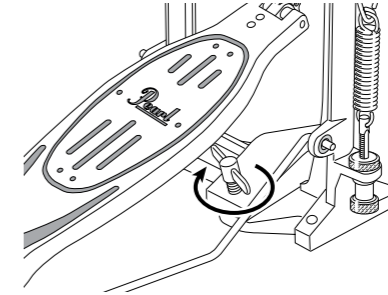
SPRING TENSION ADJUSTMENT

To increase the tension of the spring, loosen the Upper Nut and tighten the Lower Nut until the desired tension is achieved. To decrease the tension, loosen the Lower Nut. Once you're satisfied with the spring tension, tighten the Upper Nut securely to keep the spring tension from loosening while playing.



HOOP CLAMP WING BOLT

Place the pedal on the bass drum hoop and square the pedal to the floor. Tighten the Wing Bolt to clamp the pedal firmly in place.



Caution

- ◆ Periodically check all Allen Screws for tightness and tighten them with the provided Allen Wrenches as needed.
- ◆ Periodically apply lube to all moving parts such as the Chain, Cam Roller, Footboard Hinge, etc. for optimal speed and extended life of your pedal. Bearings should be lubricated with grease, not liquid oil.
- ◆ To maximize traction of the rubber mats underneath the "PowerPlate", keep them clean and dust free using a damp cotton towel.

Pearl

<http://www.pearldrums.com>
Products and specifications are subject to change without notice.
Printed in China.
-0811-