

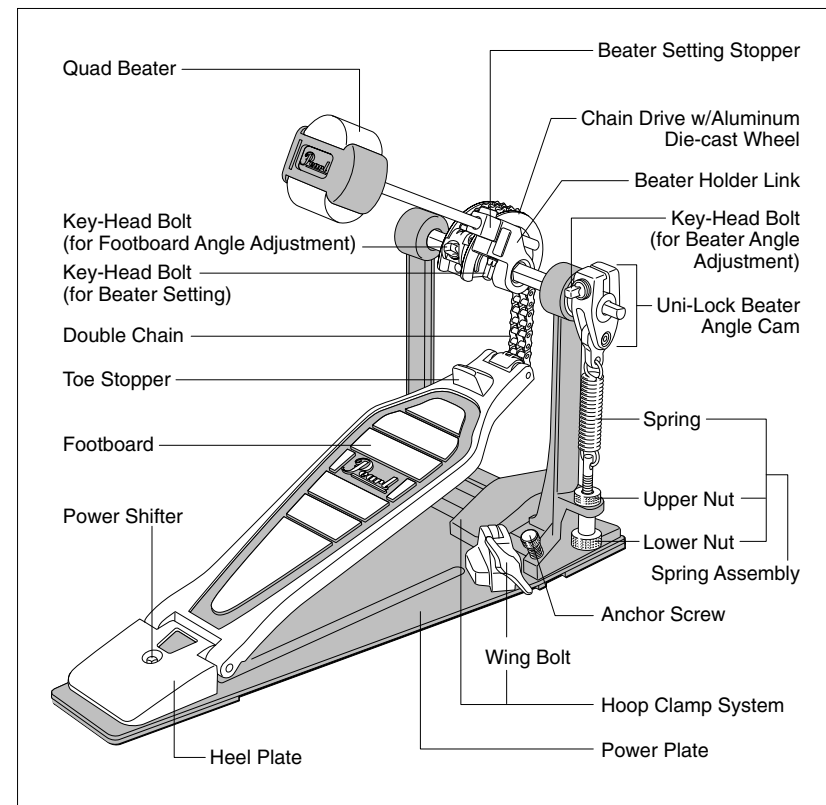
PEARL DRUM PEDAL

P-201P

INSTRUCTION MANUAL

Congratulations on your purchase!

For optimum performance and explanations of the features and adjustments of this pedal, please read this Instruction Manual before playing.



POWER SHIFTER

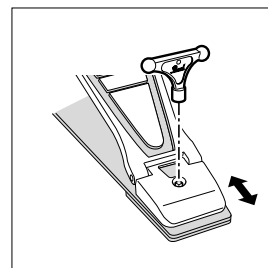
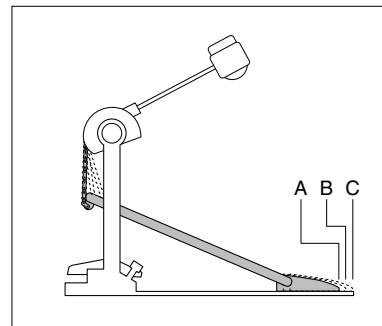
Your pedal is equipped with Pearl's exclusive Power Shifter. The Power Shifter allows the footboard to be moved to three positions: A, B, and C, altering the angle of the chain and thus changing the leverage of the footboard. Please see the chart below to determine the position best suited to your playing style.

Position Action

- A "STRONG"
- B "NORMAL"
- C "LIGHT"

To change the position of the Power Shifter, simply loosen the key-head bolt in the heel of the footboard and move the footboard to the desired position; A, B, or C. Prongs under the heel fit into holes in the Power Plate, and when properly positioned the heel will fit flush with the Power Plate. Re-tighten the key-head bolt to secure the heel to the Power Plate.

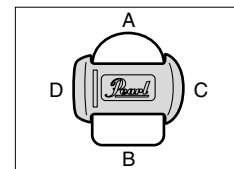
Note: The heel must be flush with the Power Plate or damage to the pedal may result.



QUAD BEATER

The Quad Beater has four faces, each capable of producing a different sound. Please refer to the following chart to determine the sound best suited to your playing style:

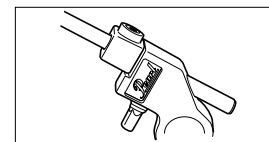
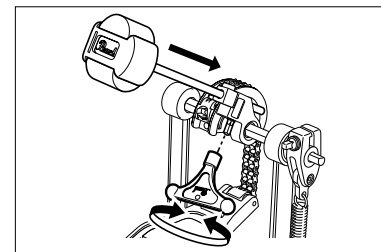
Face	Face Material	Contact Area	Sound
A	Felt	Spot	W arm with Sharp Attack
B	Felt	Line	W arm with Dull Attack
C	Plastic	Spot	Hard with Sharp Attack
D	Plastic	Line	Hard with Dull Attack



BEATER SETTING

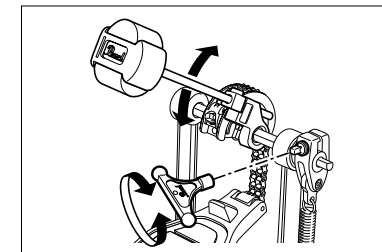
Locate the beater holder link and key-head bolt. Insert the shaft of the Quad Beater into the beater holder link and position the desired face toward the bass drum head. Loosen the key-head bolt on the Beater Setting Stopper* and hold the beater at the desired height. Slide the Beater Setting Stopper into the notch of the beater holder link and securely tighten both key-head bolts. Experiment with different beater heights to find the best combination of power and speed.

*The Beater Setting Stopper helps prevent the Quad Beater from rotating while playing.



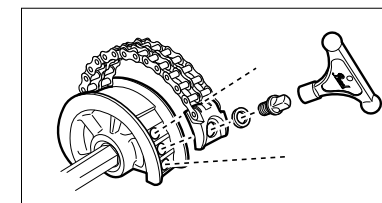
BEATER ANGLE ADJUSTMENT

Depending on your preference, the beater can be positioned closer or farther away from the bass drum head. This is accomplished by loosening the key-head bolt on the Uni-Lock beater angle cam and swinging the beater to the desired angle. Simply re-tighten the key-head bolt to "lock-in" this angle.



FOOTBOARD ANGLE ADJUSTMENT

The footboard angle of the P-201P is adjustable up or down to your preference. To do this, completely loosen the key-head bolt holding the chain to the aluminum wheel assembly and reposition the chain to the desired location. Securely re-tighten the key-head bolt.



SPRING TENSION ADJUSTMENT

To increase the tension of the spring, loosen the upper nut and then tighten the lower nut. To decrease the tension,

reverse this process. This adjustment assembly employs a double nut system to prevent looseness after setting. Before using, make sure that both nuts are tight.

TOE STOPPER

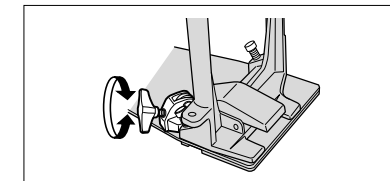
The toe stopper prevents your foot from riding up the footboard while playing. If not needed, it can be removed by undoing the screw on the rear side of the footboard.

ANCHOR SCREW

Turning this screw clockwise, the pointed end of anchor will protrude giving the pedal additional stability.

HOOP CLAMP SYSTEM

Pearl's new hoop clamp system allows a wider arc of motion of the footboard without "bottoming-out." To attach your pedal to the bass drum, turn the wing bolt counter-clockwise to open the hoop clamp. When sufficiently open to allow the bass drum hoop to enter, slide the pedal onto the bass drum hoop between the hoop clamp and the bottom lip of the pedal. Square-up the pedal and tighten the wing bolt to secure the pedal to the bass drum.



CAUTION!

Use the included hexagonal wrenches for allen screws if they are loose. For good maintenance, it is recommended to apply grease, when needed, to the moving parts like chain, roller or heel connection.

Pearl

The best reason to play drums.

Products and specifications are subject to change without notice. Printed in Japan.