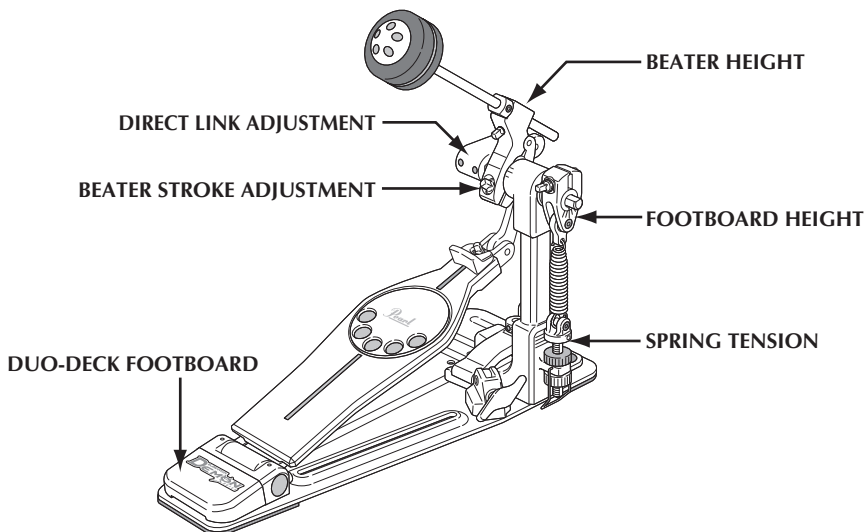

ELIMINATOR **DEMON** DRIVE

Quick Set Up Manual



The Eliminator Demon Drive Pedal gives you nearly endless adjustments to customize the feel to your exact preference. Start with the three basic settings below and fine tune the Beater Position, Footboard Angle, and Spring Tension to perfectly match your playing style. Refer to the included manual for the adjustment of each parts.

Pearl

<http://www.pearldrums.com>

Products and specifications are subject to change without notice.

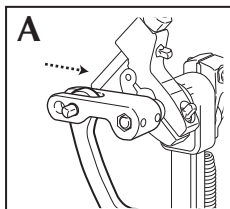
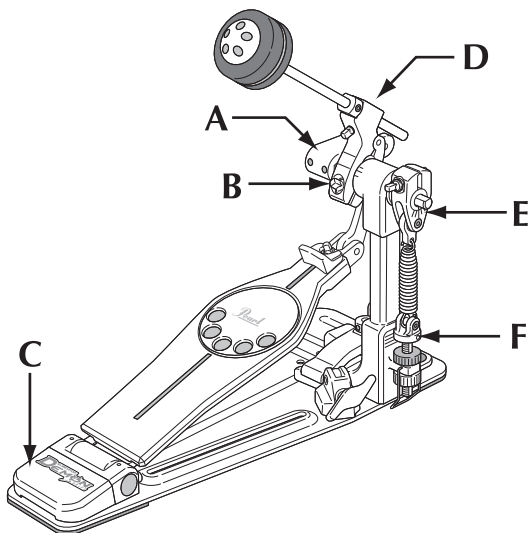
Printed in Taiwan

-1203-

SPEED SETTING

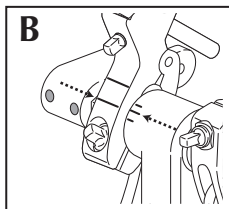
(factory setting)

• For players seeking High Speed and Accuracy



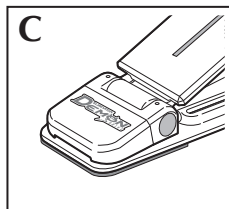
DIRECT LINK ADJUSTMENT

HEAVY "H" POSITION



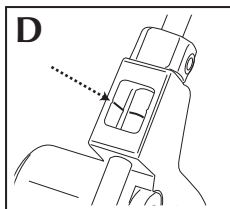
BEATER STROKE ADJUSTMENT

FINESSE "A" POSITION



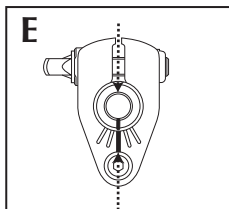
DUO-DECK FOOTBOARD

SHORT BOARD



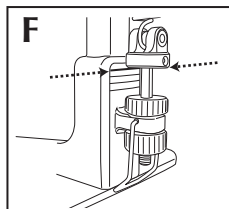
BEATER HEIGHT

STANDARD POSITION



FOOTBOARD HEIGHT

STANDARD POSITION

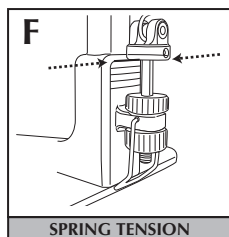
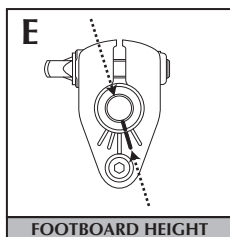
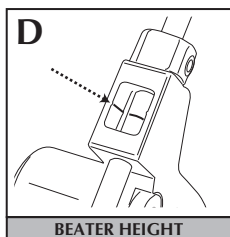
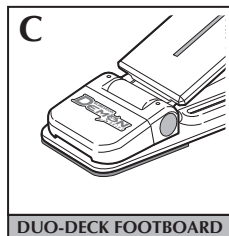
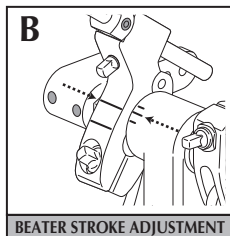
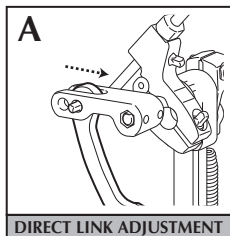
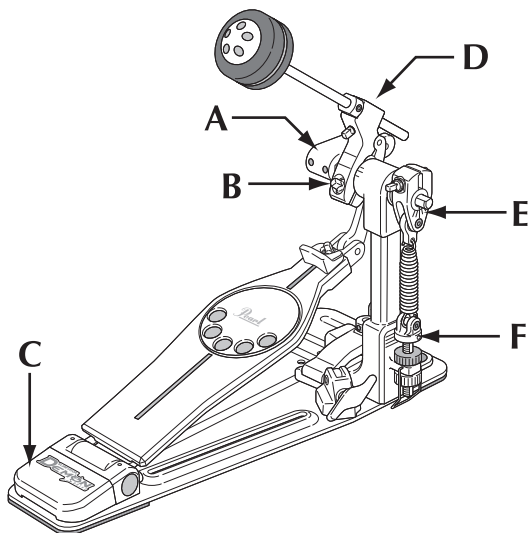


SPRING TENSION

STANDARD POSITION

POWER SETTING

• For players seeking Powerful Defined Tone



LIGHT SETTING

• For players seeking Light Feel with Power

