
PEARL DRUMS 2005

SPARE PARTS CATALOG

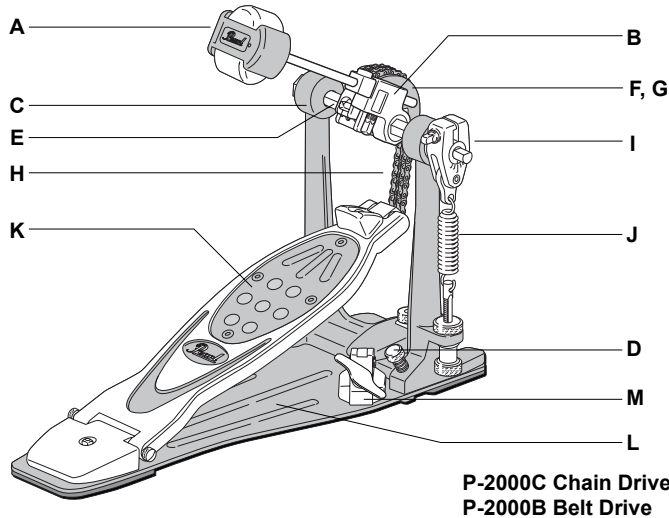


CONTENTS

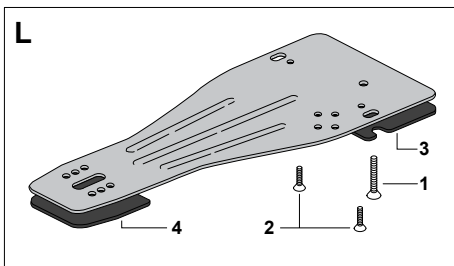
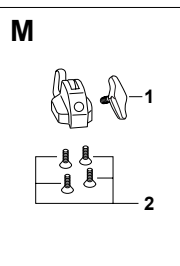
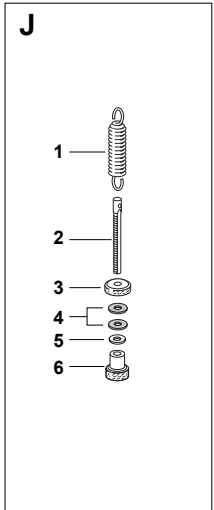
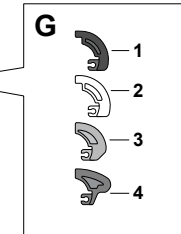
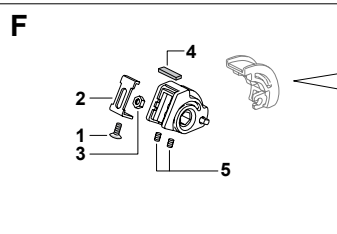
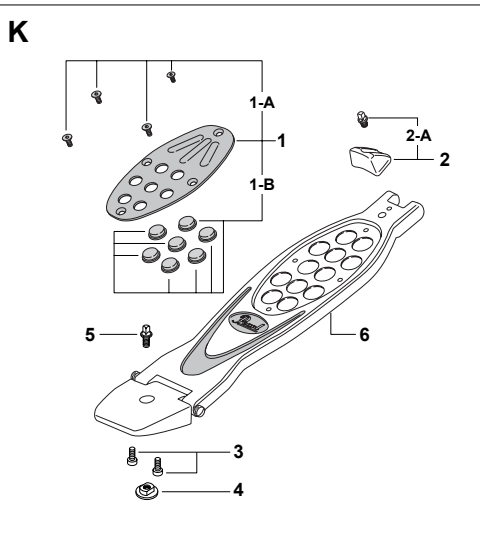
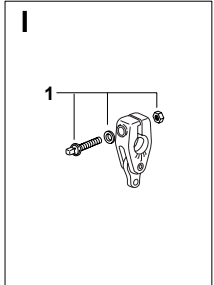
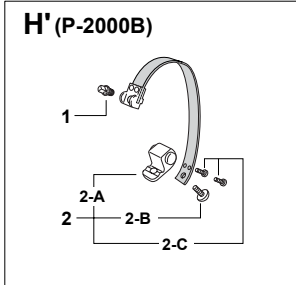
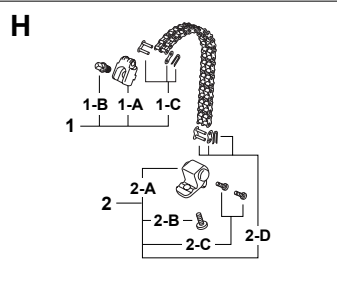
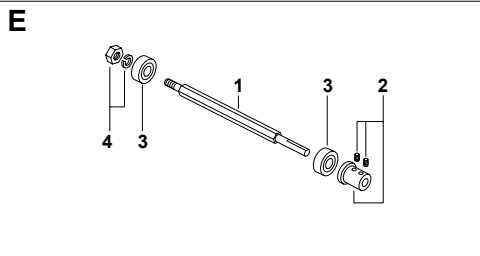
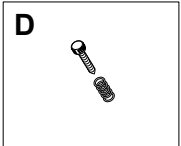
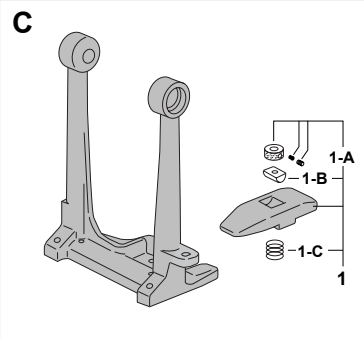
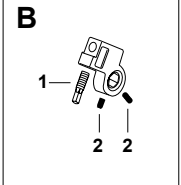
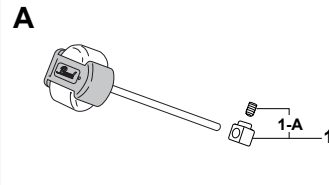
DRUM PEDALS	1~10
HI-HAT STANDS	11~16
HI-HAT ACCESSORIES	17
ACCESSORIES	18
SNARE STANDS	19~21
DRUM THRONES	22~24
CYMBAL BOOM STANDS	25~27
CYMBAL STANDS	27~28
TOM STANDS	29~30
CYMBAL HOLDERS	31~32
TOM HOLDERS	33
ADAPTERS	34
DRUM RACKS, PIPE CLAMPS, RACK JOINT	35~37
TOM HOLDER BASSES, BRACKETS	38
OPTIMOUNT, I.S.S.	39
F.F.S. SNARE DRUM	40
BASS DRUM SPURS	41
FLOOR TOM LEG BRACKETS, LEGS	42
STRAINERS	43~44
LUGS, BOLTS, TENSION CLAWS	45~46
PRACTICE PADS	47
HOOPS	48
PRACTICE KITS	49

DRUM PEDALS

P-2000C / P-2000B



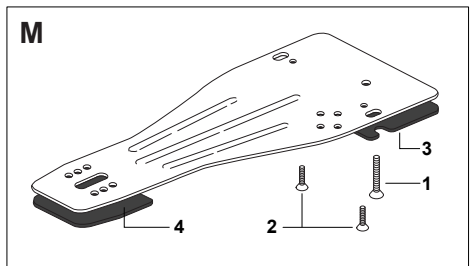
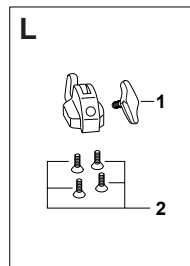
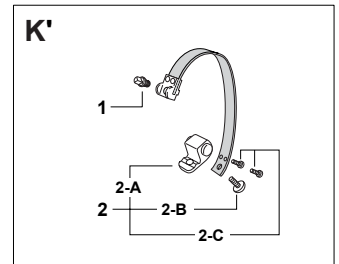
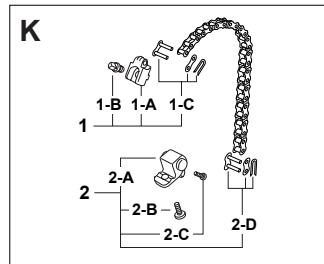
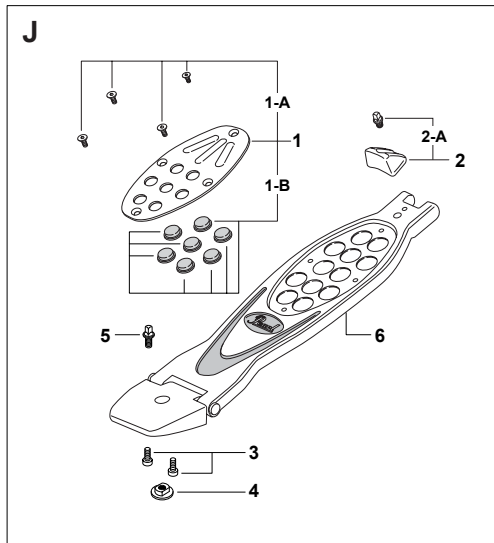
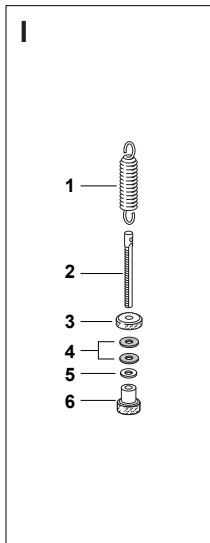
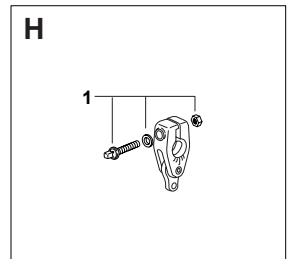
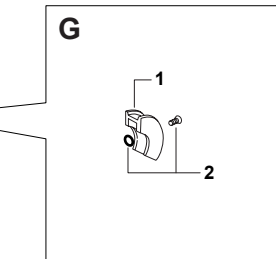
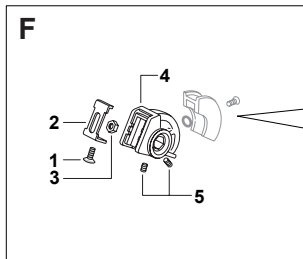
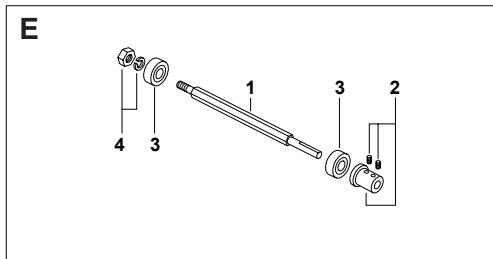
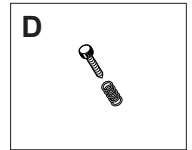
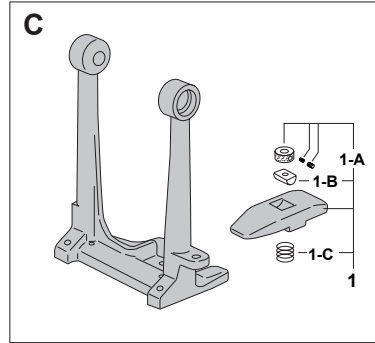
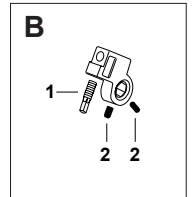
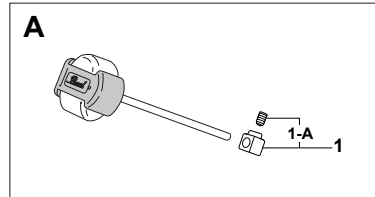
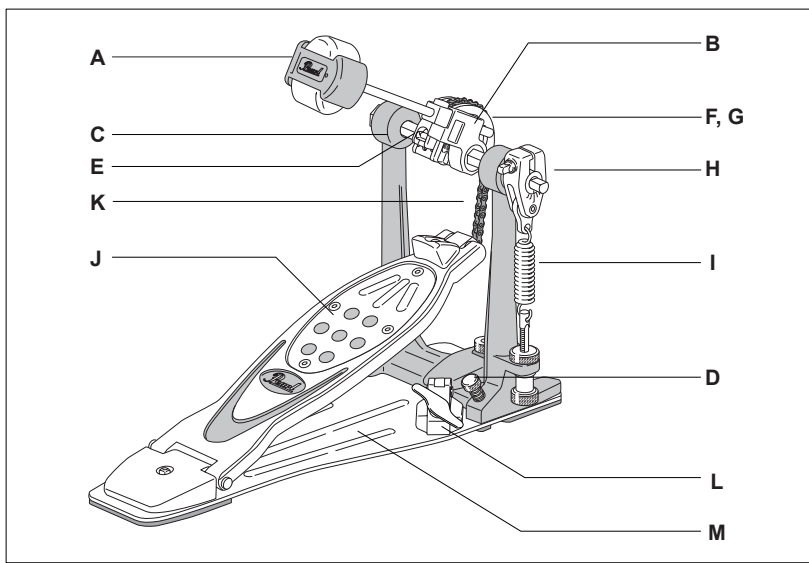
P-2000C Chain Drive
P-2000B Belt Drive



- | | | | | | | | | |
|----------|-----------------|--------------------------------------|-----------|-----------------|--|----------|-----------------|--------------------------------------|
| A | B-200QB | Quad Beater, Complete | G | | Interchangeable Cam | J | SPA-64AN | Spring Assy. Complete |
| 1 | DC-394A | Beater Setting Stopper Assy. | 1 | CAM-BK | Black Cam | 1 | SP-64F | Spring (w/Felt) ONLY |
| 1-A | SB-66 | Allen Screw | 2 | CAM-WT | White Cam | 2 | ME-499 | Adjustment Bolt |
| B | DC-395NA | Beater Holder Link, complete | 3 | CAM-BL | Blue Cam | 3 | ME-500 | Upper Nut |
| 1 | KB-814 | Key Bolt | 4 | CAM-RD | Red Cam | 4 | NP-407 | Washers (pair) |
| 2 | SB-66 | Allen Screw | H | CCA-5 | Double Chain Assy. Complete / P-2000C | 5 | WS-27 | Lock Washer |
| C | DC-513A | Pedal Frame w/Hoop Clamp | 1 | DC-511AA | Chain Connecting Bracket Assy. (Top) | 6 | ME-391 | Lower Nut |
| 1 | DC-514A | Hoop Clamp Assy. | 1-A | DC-511A | Chain Connecting Bracket ONLY (Top) | K | FB-2000A | Footboard Cam Assy. Complete |
| 1-A | ME-505A | Adjustment Knob Assy. | 1-B | KB-508 | Key Bolt (short) | 1 | AL-24A | Traction Plate Assy. |
| 1-B | ME-507 | Pivot block | 1-C | ME-244 | Chain End Connector Assy. | 1-A | SC-363 | Mounting Screw (one each) |
| 1-C | SP-032 | Spring | 2 | DC-511BA | Chain Connecting Bracket Assy. (Bottom) | 1-B | NP-283N | Traction Grip |
| D | LT-636 | Anchor Screw w/Spring | 2-A | DC-511B | Chain Connecting Bracket ONLY (Bottom) | 2 | DC-508A | Toe Stopper Assy. |
| E | ME-501A | Hexagonal Axle Assy. | 2-B | SC-357 | Screw | 2-A | KB-508 | Key bolt |
| 1 | ME-501 | Hexagonal Axle ONLY | 2-C | SC-284 | Screw (one each) | 3 | SC-261 | Screw (one each) |
| 2 | ME-393N | Axle Sleeve w/Set Screws | 2-D | ME-244 | Chain End Connector Assy. | 4 | DC-398 | Heel Position Adjust Nut |
| 3 | NU-07B | Bearing (one each) | H' | BCA-1 | Belt Assy. Complete / P-2000B | 5 | KB-608 | Key Bolt |
| 4 | BSA-3 | End Nut w/Washer | 1 | KB-512 | Key Bolt (long) | 6 | DC-512SN | Footboard Assy. ONLY |
| F | DC-509A | Aluminum Wheel Assy. Complete | 2 | DC-510BA | End Connector Assy. (Bottom) | L | PR-548A | Power Plate Assy. Complete |
| 1 | SC-327H | Flat-head Screw | 2-A | DC-510B | End Connector ONLY | 1 | SC-325 | Screw |
| 2 | PR-546 | Slider Bracket | 2-B | SC-357 | Screw | 2 | SC-149 | Screw (one each) |
| 3 | NU-10 | Hexagonal Nut | 2-C | SC-287 | Screw (one each) | 3 | NP-284S | Rubber Mat (Front) |
| 4 | FE-40C | Felt | I | DC-396NA | Uni-Lock Beater Angle Cam, Complete | 4 | NP-285 | Rubber Mat (Heel) |
| 5 | SB-66 | Allen Screw (one each) | 1 | KB-630A | Bolt & Nut Set | M | DC-399S | Hoop Clamp Cam Assy. Complete |
| | | | | | | 1 | UGB-820C | Die-Cast Wing Bolt |
| | | | | | | 2 | SC-191BN | Screw (one each) |

DRUM PEDALS

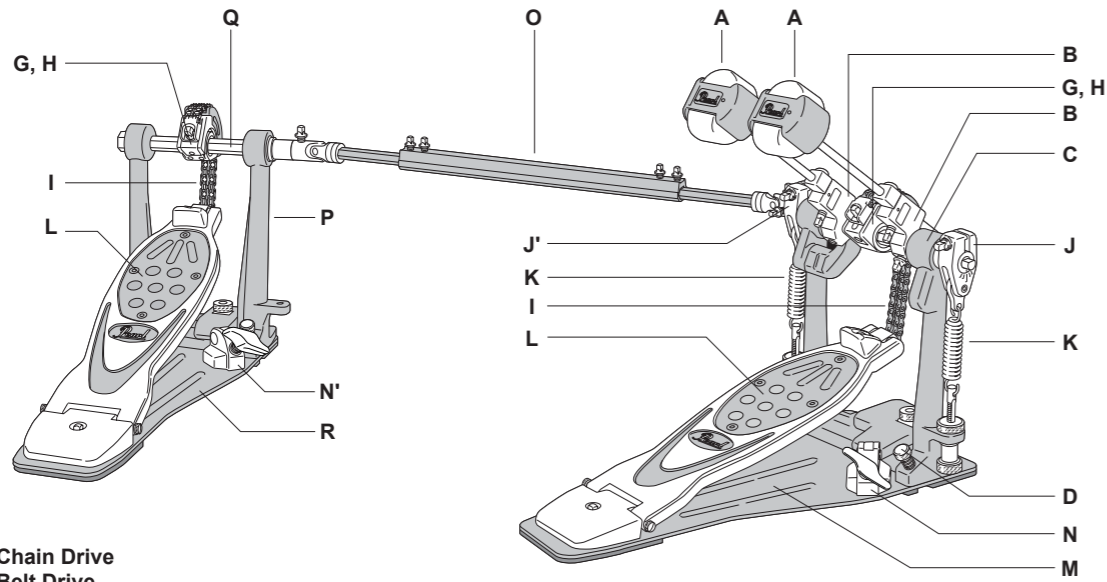
P-1000



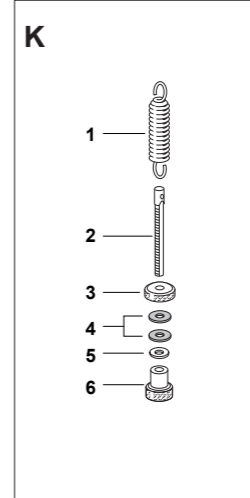
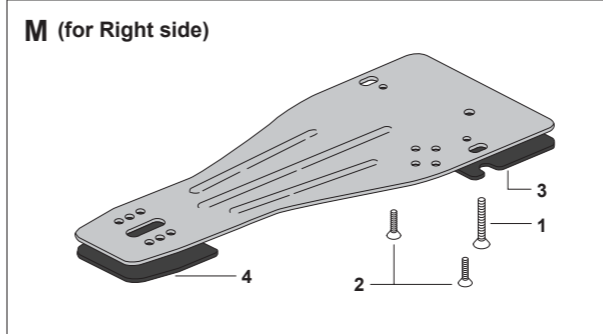
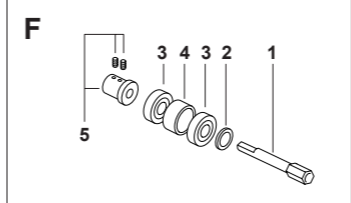
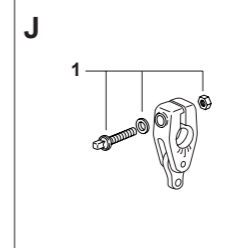
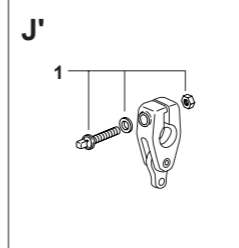
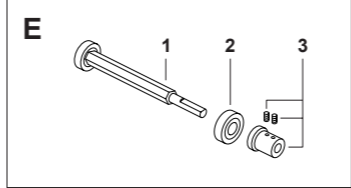
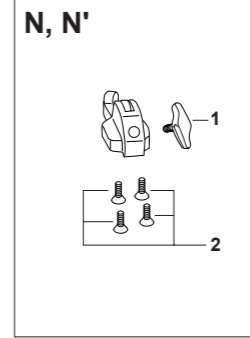
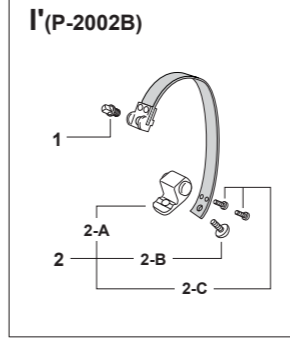
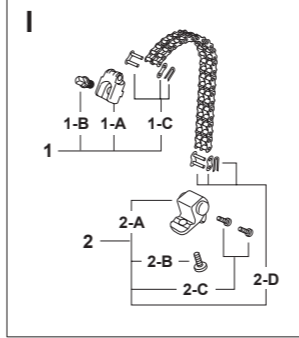
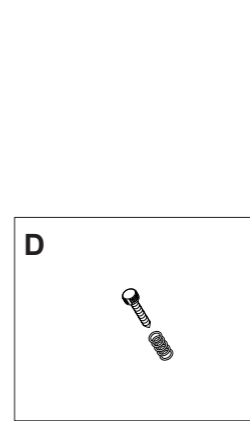
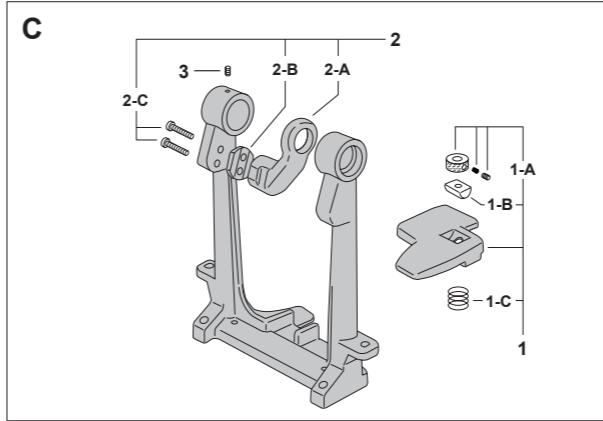
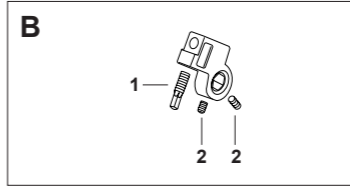
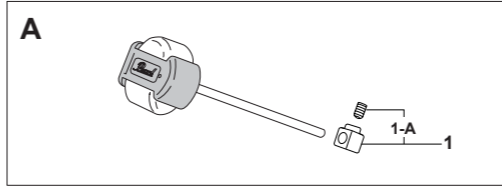
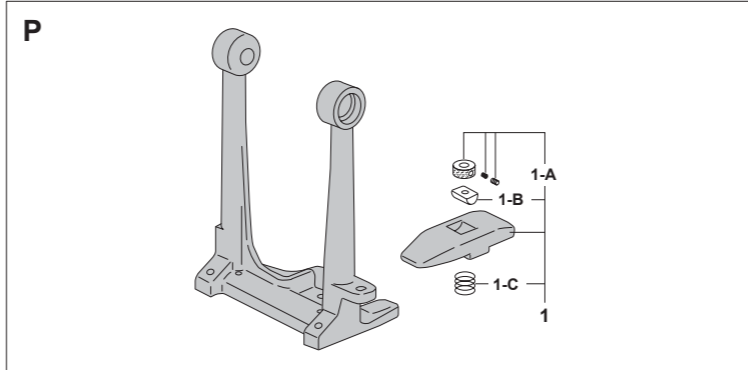
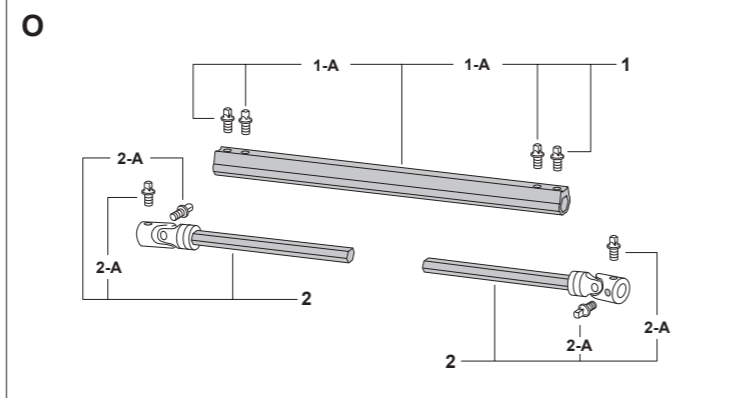
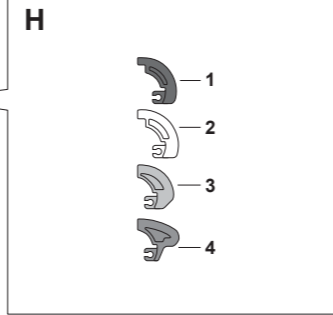
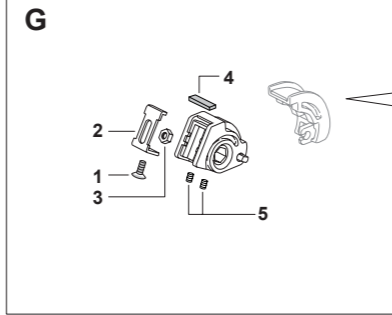
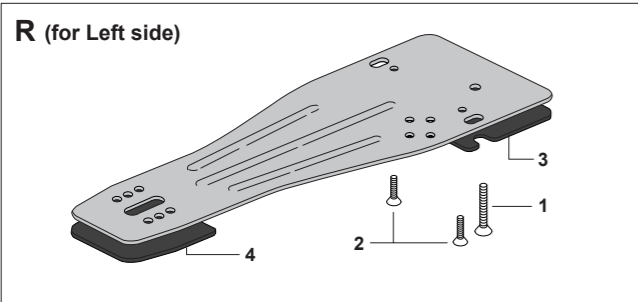
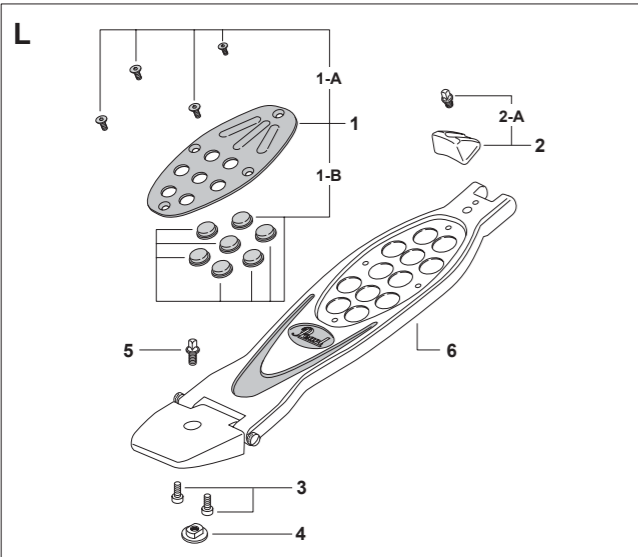
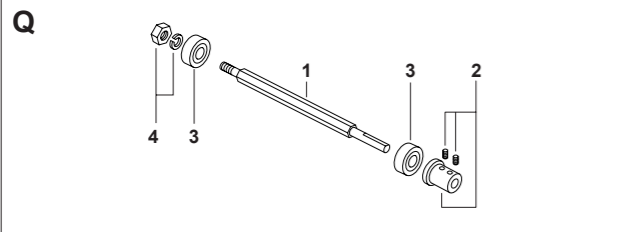
- | | | | | | | | | |
|----------|-----------------|--------------------------------------|----------|-----------------|--|-----------|----------------|---|
| A | B-200QB | Quad Beater, Complete | G | NP-405A | Plastic Wheel Cover Assy. | K | CCA-10 | Single Chain Assy. Complete |
| 1 | DC-394A | Beater Setting Stopper Assy. | 1 | NP-405 | Plastic Wheel Cover w/Felt | 1 | DC-649AC | Chain Connecting Bracket Assy. (Top) |
| 1-A | SB-66 | Allen Screw | 2 | SC-344WO | Flat-head Screw w/Rubber O Ring | 1-A | DC-649 | Chain Connecting Bracket ONLY (Top) |
| B | DC-395NA | Beater Holder Link, complete | H | DC-396NA | Uni-Lock Beater Angle Cam, Complete | 1-B | KB-508 | Key Bolt (short) |
| 1 | KB-814 | Key Bolt | 1 | KB-630A | Bolt, Washer & Nut Set | 1-C | ME-212 | Chain End Connector Assy. |
| 1 | SB-66 | Allen Screw | I | SPA-64AN | Spring Assy. Complete | 2 | DC-562AC | Chain Connecting Bracket Assy. (Bottom) |
| C | DC-513A | Pedal Frame w/Hoop Clamp | 1 | SP-64F | Spring (w/Felt) ONLY | 2-A | DC-562 | Chain Connecting Bracket ONLY (Bottom) |
| 1 | DC-514A | Hoop Clamp Assy. | 2 | ME-499 | Adjustment Bolt | 2-B | SC-357 | Screw |
| 1-A | ME-505A | Adjustment Knob Assy. | 3 | ME-500 | Upper Nut | 2-C | SC-284 | Screw (one each) |
| 1-B | ME-507 | Pivot block | 4 | NP-407 | Washers (pair) | 2-D | ME-212 | Chain End Connector Assy. |
| 1-C | SP-032 | Spring | 5 | WS-27 | Lock Washer | K' | BCA-10 | Belt Assy. Complete |
| D | LT-636 | Anchor Screw w/Spring | 6 | ME-391 | Lower Nut | 1 | KB-512 | Key Bolt (long) |
| E | ME-501A | Hexagonal Axle Assy. | J | FB-1000 | Footboard Assy. Complete | 2 | DC-510BA | End Connecting Bracket Assy. (Bottom) |
| 1 | ME-501 | Hexagonal Axle ONLY | 1 | AL-24SA | Traction Plate Assy. | 2-A | DC-510B | End Connecting Bracket ONLY (Bottom) |
| 2 | ME-393N | Axle Sleeve w/Set Screws | 1-A | SC-363 | Mounting Screw (one each) | 2-B | SC-357 | Screw |
| 3 | NU-07B | Bearing (one each) | 1-B | NP-283N | Traction Grip (one each) | 2-C | SC-287 | Screw (one each) |
| 4 | BSA-3 | End Nut w/Washer | 2 | DC-508A | Toe Stopper Assy. | L | DC-399S | Hoop Clamp Cam Assy. Complete |
| F | ALH-10 | Aluminum Wheel Assy. Complete | 2-A | KB-508 | Key Bolt | 1 | UGB-820C | Wing Bolt |
| 1 | SC-327H | Flat-head Screw | 3 | SC-261 | Screw (one each) | 2 | SC-191BN | Screw (one each) |
| 2 | PR-546 | Slider Bracket | 4 | DC-398 | Heel Position Adjust Nut | M | PR-548S | Power Plate Assy. Complete |
| 3 | NU-10 | Hexagonal Nut | 5 | KB-608 | Key Bolt | 1 | SC-325 | Screw |
| 4 | DC-650 | Aluminum Wheel ONLY | 6 | DC-512SN | Footboard Assy. ONLY | 2 | SC-149 | Screw (one each) |
| 5 | SB-66 | Allen Screw (one each) | | | | 3 | NP-284S | Rubber Mat (Front) |
| | | | | | | 4 | NP-285 | Rubber Mat (Heel) |

DRUM PEDALS

P-2002C / P-2002B



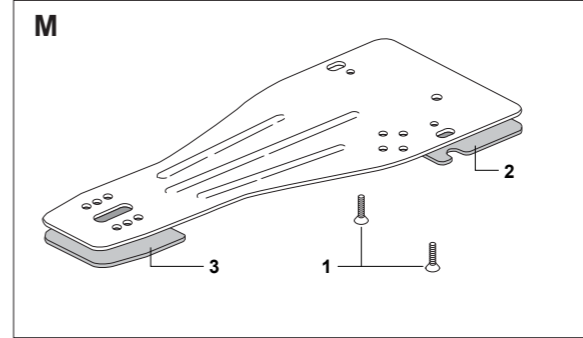
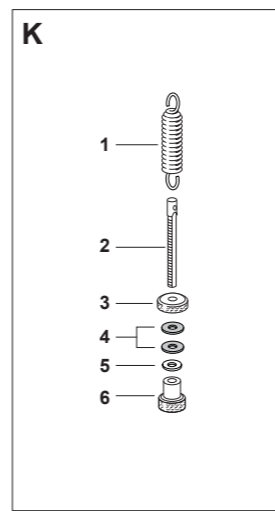
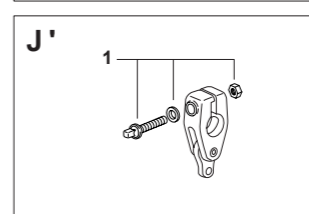
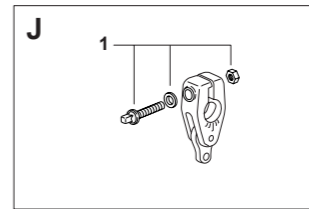
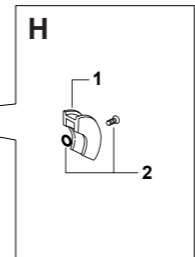
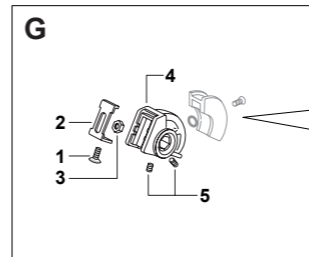
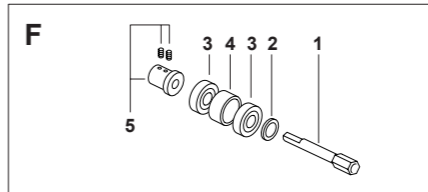
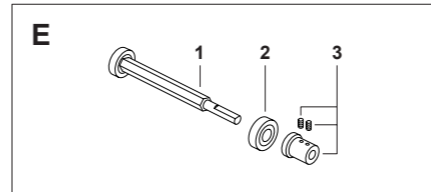
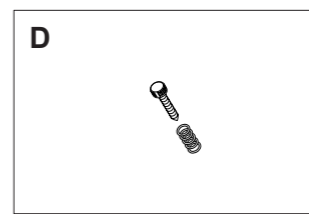
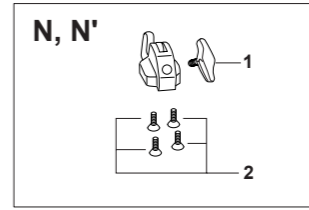
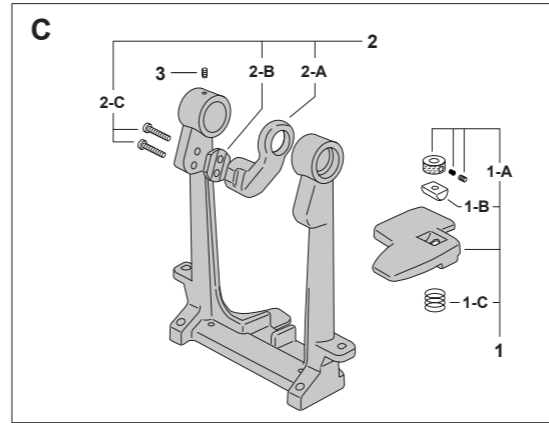
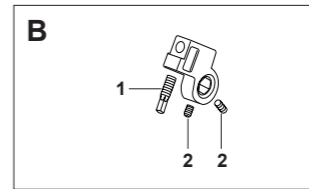
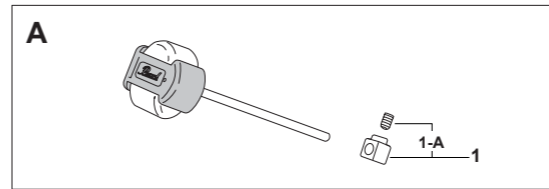
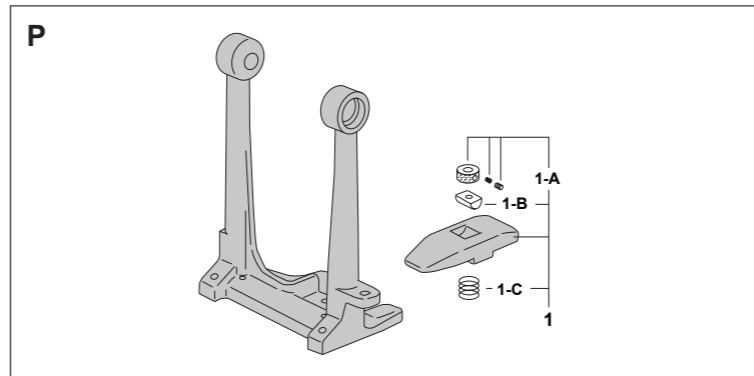
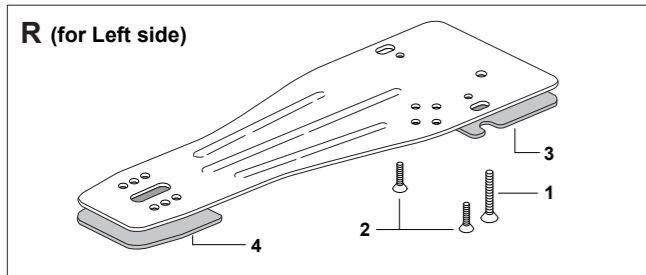
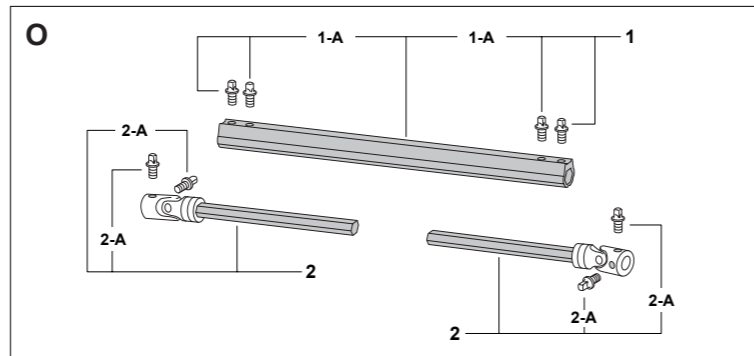
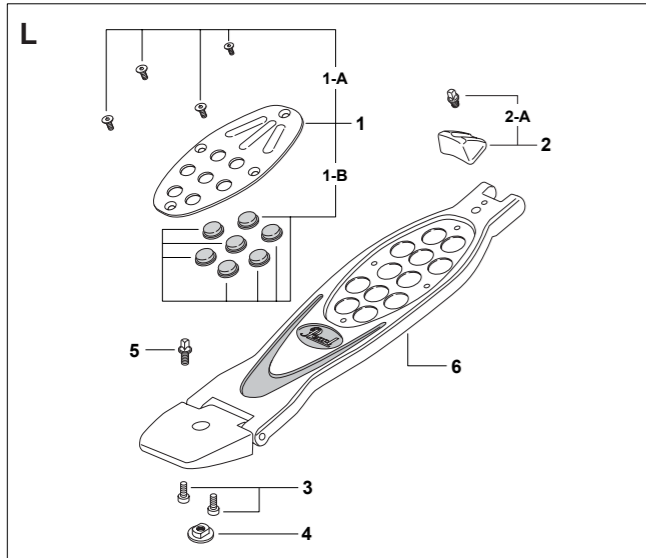
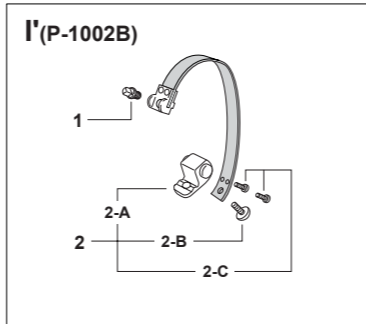
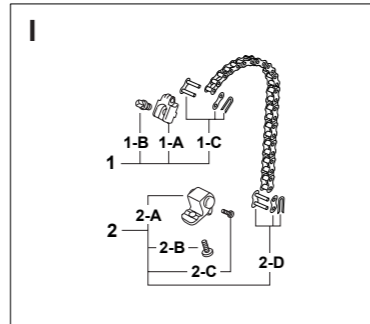
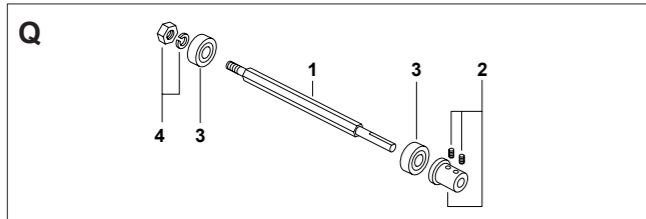
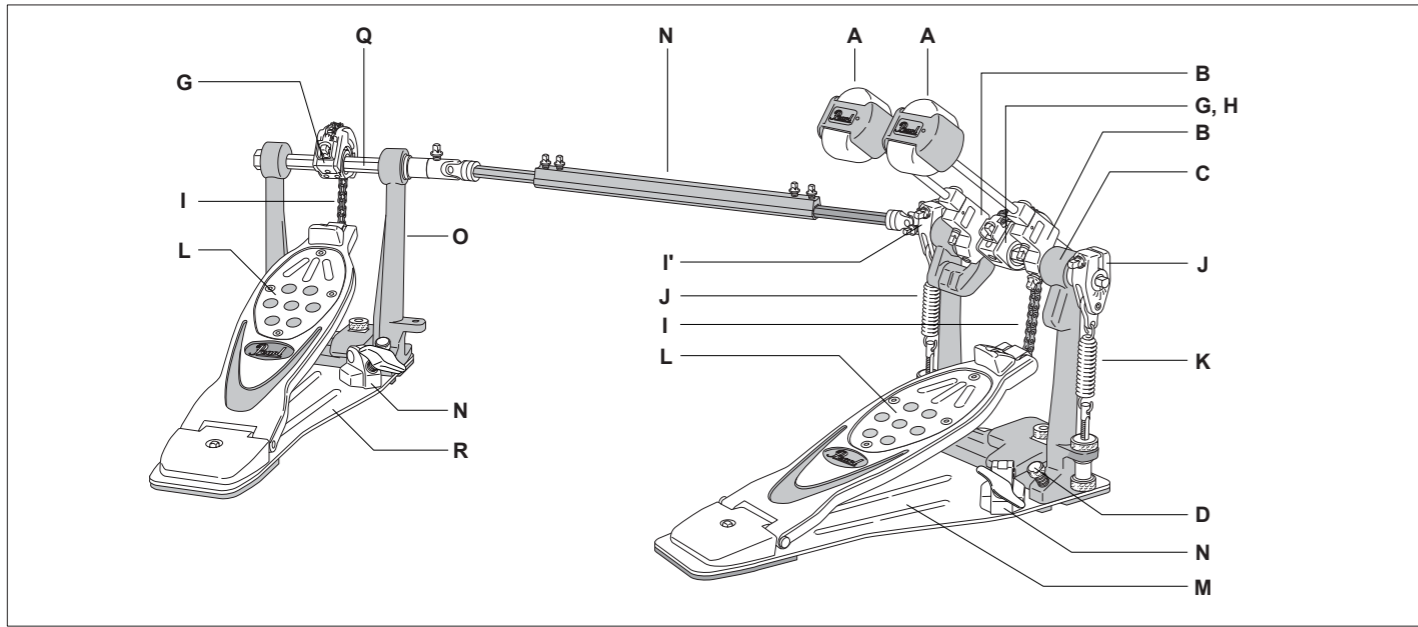
P-2002C Chain Drive
P-2002B Belt Drive



- A** B-200QB Quad Beater Complete
- 1 DC-394A Beater Setting Stopper Assy.
- 1-A SB-66 Allen Screw
- B** DC-395NA Beater Holder Link Complete
- 1 KB-814 Key Bolt
- 2 SB-66 Allen Screw
- C** DC-515A Pedal Frame w/Hoop Clamp
- 1 DC-517A Hoop Clamp Assy.
- 1-A ME-505A Adjustment Knob Assy.
- 1-B ME-507 Pivot Block
- 1-C SP-032 Spring
- 2 ASA-2000A Axle Support Arm Assy. Complete
- 2-A DC-516 Axle Support Arm
- 2-B DC-314NA Axle Support Arm Spacer
- 2-C SC-222 Screw (one each)
- 3 SB-44 Allen Screw
- D** LT-636 Anchor Screw w/Spring
- E** ME-503A Hexagonal Axle Assy.
- 1 ME-503B Hexagonal Axle w/bearing ONLY
- 2 NU-07B Bearing (one each)
- 3 ME-393N Axle Sleeve w/Set Screws
- F** ME-502A Hexagonal Axle Assy.
- 1 ME-502 Hexagonal Axle ONLY
- 2 WS-49 Washer
- 3 NU-07B Bearing
- 4 ME-506 Bearing Spacer
- 5 ME-393N Axle Sleeve w/Set Screws
- G** DC-509A Aluminum Wheel Assy. Complete
- 1 SC-327H Flat-head Screw
- 2 PR-546 Slider Bracket
- 3 NU-10 Hexagonal Nut
- 4 FE-40C Felt
- 5 SB-66 Allen Screw (one each)
- H** Interchangeable Cam
- 1 CAM-BK Black Cam
- 2 CAM-WT White Cam
- 3 CAM-BL Blue Cam
- 4 CAM-RD Red Cam
- I** CCA-5 Double Chain Assy. Complete / P-2002C
- 1 DC-511AA Chain Connecting Bracket Assy. (Top)
- 1-A DC-511A Chain Connecting Bracket ONLY (Top)
- 1-B KB-508 Key Bolt (short)
- 1-C ME-244 Chain End Connector Assy.
- 2 DC-511BA Chain Connecting Bracket Assy. (Bottom)
- 2-A DC-511B Chain Connecting Bracket ONLY (Bottom)
- 2-B SC-357 Screw
- 2-C SC-284 Screw (one each)
- 2-D ME-244 Chain End Connector Assy.
- I'** BCA-1 Belt Assy. Complete / P-2002B
- 1 KB-512 Key Bolt (long)
- 2 DC-510BA End Connector Assy. (Bottom)
- 2-A DC-510B End Connector ONLY
- 2-B SC-357 Screw
- 2-C SC-287 Screw (one each)
- J** DC-396NA Uni-Lock Beater Angle Cam Complete
- 1 KB-630A Bolt & Nut Set
- J'** DC-396NAL Uni-Lock Beater Angle Cam Complete (Left Side)
- 1 KB-630A Bolt & Nut Set
- K** SPA-64AN Spring Assy. Complete
- 1 SP-64F Spring (w/Felt) ONLY
- 2 ME-499 Adjustment Bolt
- 3 ME-500 Upper Nut
- 4 NP-407 Washers (pair)
- 5 WS-27 Lock Washer
- 6 ME-391 Lower Nut
- L** FB-2000A Footboard Assy. Complete
- 1 AL-24A Traction Plate Assy.
- 1-A SC-363 Mounting Screw (one each)
- 1-B NP-283N Traction Grip
- 2 DC-508A Toe Stopper Assy.
- 2-A KB-508 Key Bolt
- 3 SC-261 Screw (one each)
- 4 DC-398 Heel Position Adjust Nut
- 5 KB-608 Key Bolt
- 6 DC-512SN Footboard Assy. ONLY
- M** PR-549A Power Plate Assy. Complete (Right Side)
- 1 SC-325 Screw
- 2 SC-149 Screw (one each)
- 3 NP-284L Rubber Mat (Front)
- 4 NP-285 Rubber Mat (Heel)
- N** DC-399W Hoop Clamp Cam Assy. Complete
- 1 UGB-820C Die-Cast Wing Bolt
- 2 SC-191BN Screw (one each)
- N'** DC-399S Hoop Clamp Cam Assy. Complete
- 1 UGB-820C Wing Bolt
- 2 SC-191BN Screw (one each)
- O** DS-200A Drive Shaft Assy. Complete
- 1 SP-65A Drive Shaft Sleeve w/Key Bolts
- 1-A KB-608 Key Bolt (one each)
- 2 HS-200A Hexagonal Drive Shaft w/Key Bolts (one set)
- 2-A KB-508 Key Bolt (one each)
- P** DC-513A Pedal Frame w/Hoop Clamp
- 1 DC-514A Hoop Clamp Assy.
- 1-A ME-505A Adjustment Knob Assy.
- 1-B ME-507 Pivot Block
- 1-C SP-032 Spring
- Q** ME-501A Hexagonal Axle Assy.
- 1 ME-501 Hexagonal Axle ONLY
- 2 ME-393N Axle Sleeve w/Set Screws
- 3 NU-07B Bearing (one each)
- 4 BSA-3 End Nut w/ Washer
- R** PR-548A Power Plate Assy. Complete (Left Side)
- 1 SC-325 Screw
- 2 SC-149 Screw (one each)
- 3 NP-284S Rubber Mat (Front)
- 4 NP-285 Rubber Mat (Heel)

DRUM PEDALS

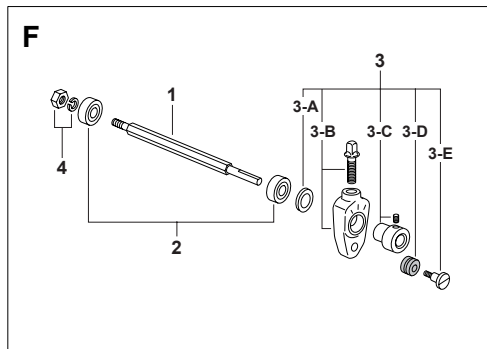
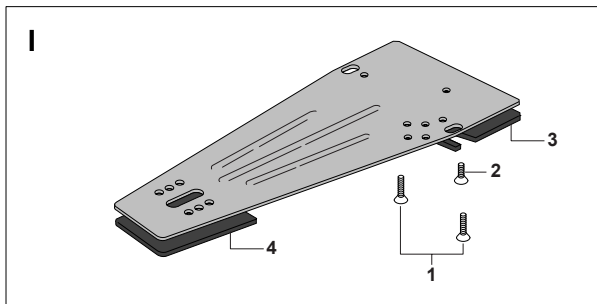
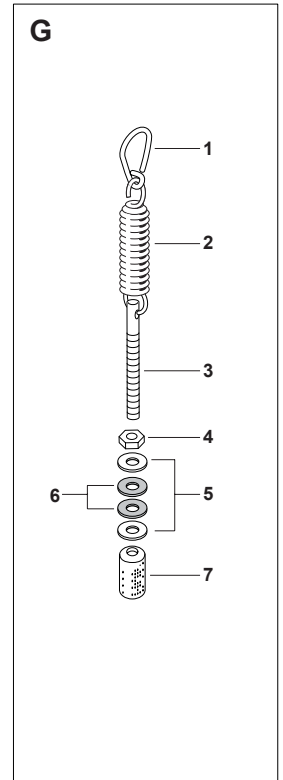
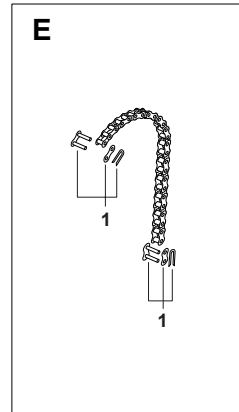
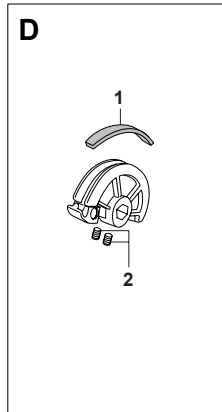
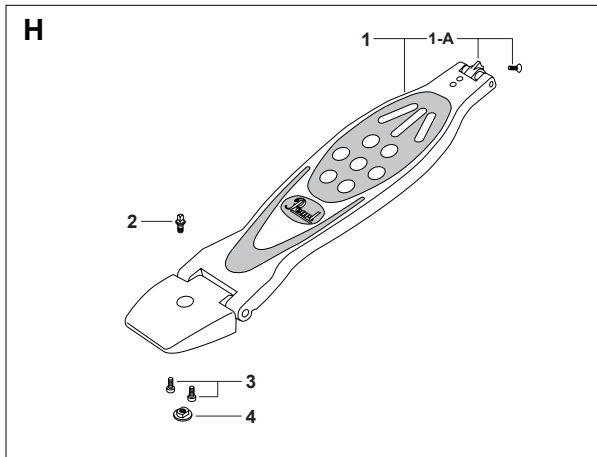
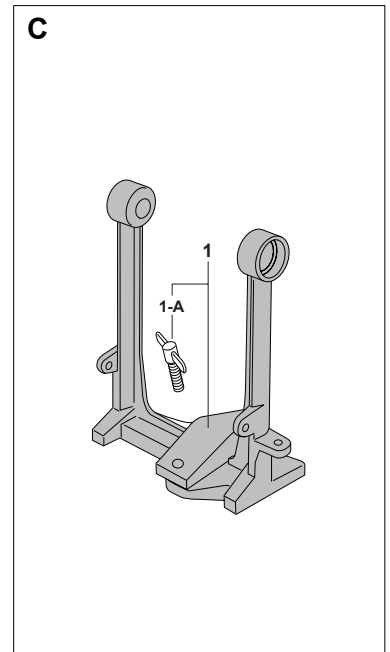
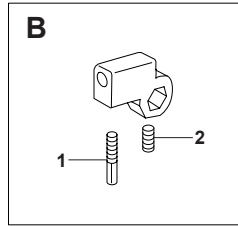
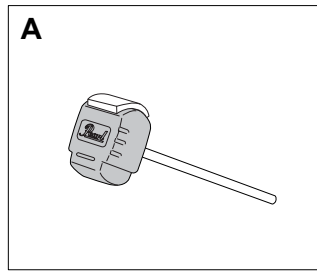
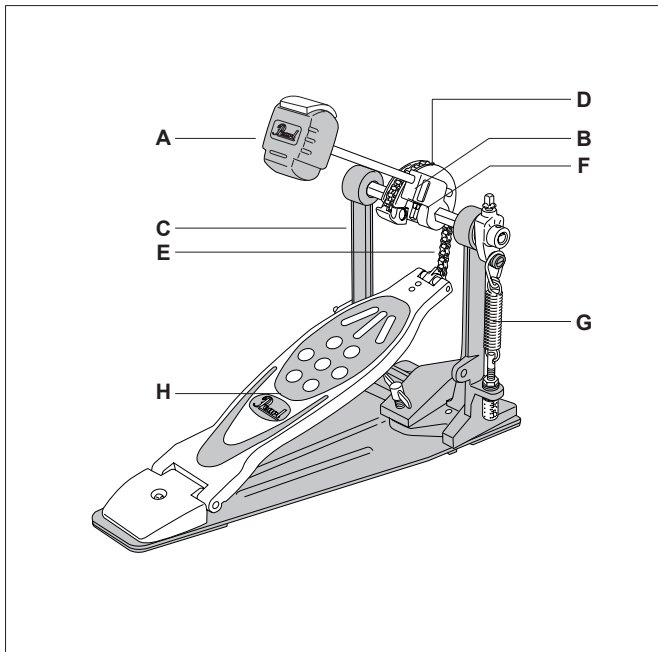
P-1002



- A** **B-200QB** Quad Beater Complete
- 1 DC-394A Beater Setting Stopper Assy.
- 1-A SB-66 Allen Screw
- B** **DC-395NA** Beater Holder Link Complete
- 1 KB-814 Key Bolt
- 2 SB-66 Allen Screw
- C** **DC-515A** Pedal Frame w/Hoop Clamp
- 1 DC-517A Hoop Clamp Assy.
- 1-A ME-505A Adjustment Knob Assy.
- 1-B ME-507 Pivot Block
- 1-C SP-032 Spring
- 2 ASA-2000A Axle Support Arm Assy. Complete
- 2-A DC-516 Axle Support Arm
- 2-B DC-314NA Axle Support Arm Spacer
- 2-C SC-222 Screw (one each)
- 3 SB-44 Allen Screw
- D** **LT-636** Anchor Screw w/Spring
- E** **ME-503A** Hexagonal Axle Assy.
- 1 ME-503B Hexagonal Axle w/Bearing ONLY
- 2 NU-07B Bearing (one each)
- 3 ME-393N Axle Sleeve w/Set Screws
- F** **ME-502A** Hexagonal Axle Assy.
- 1 ME-502 Hexagonal Axle ONLY
- 2 WS-49 Washer
- 3 NU-07B Bearing
- 4 ME-506 Bearing Spacer
- 5 ME-393N Axle Sleeve w/Set Screws
- G** **ALH-10** Aluminum Wheel Assy. Complete
- 1 SC-327H Flat-head Screw
- 2 PR-546 Slider Bracket
- 3 NU-10 Hexagonal Nut
- 4 DC-650 Aluminum Wheel ONLY
- 5 SB-66 Allen Screw (one each)
- H** **NP-405A** Plastic Wheel Cover Assy.
- 1 NP-405 Plastic Wheel Cover w/Felt
- 2 SC-344WO Flat-head Screw w/Rubber O Ring
- I** **CCA-10** Chain Assy. Complete
- 1 DC-649AC Chain Connecting Bracket Assy. (Top)
- 1-A DC-649 Chain Connecting Bracket ONLY (Top)
- 1-B KB-508 Key Bolt (short)
- 1-C ME-212 Chain End Connector Assy.
- 2 DC-562AC Chain Connecting Bracket Assy. (Bottom)
- 2-A DC-562 Chain Connecting Bracket ONLY (Bottom)
- 2-B SC-357 Screw
- 2-C SC-284 Screw (one each)
- 2-D ME-212 Chain End Connector Assy.
- I'** **BCA-10** Belt Assy. Complete
- 1 KB-512 Key Bolt (long)
- 2 DC-510BA End Connector Assy. (Bottom)
- 2-A DC-510B End Connector ONLY
- 2-B SC-357 Screw
- 2-C SC-287 Screw (one each)
- J** **DC-396NA** Uni-Lock Beater Angle Cam Complete
- 1 KB-630A Bolt, Washer & Nut Set
- J'** **DC-396NAL** Uni-Lock Beater Angle Cam Complete (Left Side)
- 1 KB-630A Bolt, Washer & Nut Set
- K** **SPA-64AN** Spring Assy. Complete
- 1 SP-64F Spring (w/Felt) ONLY
- 2 ME-499 Adjustment Bolt
- 3 ME-500 Upper Nut
- 4 NP-407 Washers (pair)
- 5 WS-27 Lock Washer
- 6 ME-391 Lower Nut
- L** **FB-1000** Footboard Assy. Complete
- 1 AL-24SA Traction Plate Assy.
- 1-A SC-363 Mounting Screw (one each)
- 1-B NP-283N Traction Grip (one each)
- 2 DC-508A Toe Stopper Assy.
- 2-A KB-508 Key Bolt
- 3 SC-261 Screw (one each)
- 4 DC-398 Heel Position Adjust Nut
- 5 KB-608 Key Bolt
- 6 DC-512SN Footboard Assy. Only
- L** **PR-549S** Power Plate Assy. Complete (Right Side)
- 1 SC-149 Screw (one each)
- 2 NP-284S Rubber Mat (Front)
- 3 NP-285 Rubber Mat (Heel)
- N** **DC-399W** Hoop Clamp Cam Assy. Complete
- 1 UGB-820C Die-Cast Wing Bolt
- 2 SC-191BN Screw (one each)
- N'** **DC-399S** Hoop Clamp Cam Assy. Complete
- 1 UGB-820C Die-Cast Wing Bolt
- 2 SC-191BN Screw (one each)
- O** **DS-200A** Drive Shaft Assy. Complete
- 1 SP-65A Drive Shaft Sleeve w/Key Bolts
- 1-A KB-608 Key Bolt (one each)
- 2 HS-200A Hexagonal Drive Shaft w/Key Bolts (one set)
- 2-A KB-508 Key Bolt (one each)
- P** **DC-513A** Pedal Frame w/Hoop Clamp
- 1 DC-514A Hoop Clamp Assy.
- 1-A ME-505A Adjustment Knob Assy.
- 1-B ME-507 Pivot Block
- 1-C SP-032 Spring
- Q** **ME-501A** Hexagonal Axle Assy.
- 1 ME-501 Hexagonal Axle ONLY
- 2 ME-393N Axle Sleeve w/Set Screws
- 3 NU-07B Bearing (one each)
- 4 BSA-3 End Nut w/ Washer
- R** **PR-548S** Power Plate Assy. Complete (Left Side)
- 1 SC-325 Screw
- 2 SC-149 Screw (one each)
- 3 NP-284S Rubber Mat (Front)
- 4 NP-285 Rubber Mat (Heel)

DRUM PEDALS

P-120P



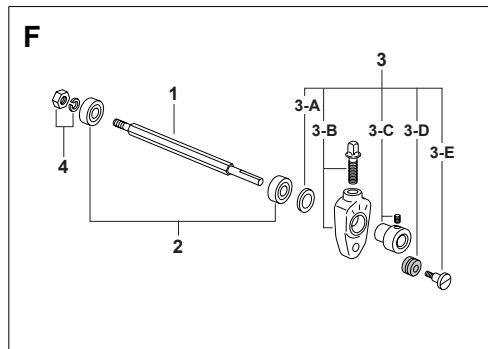
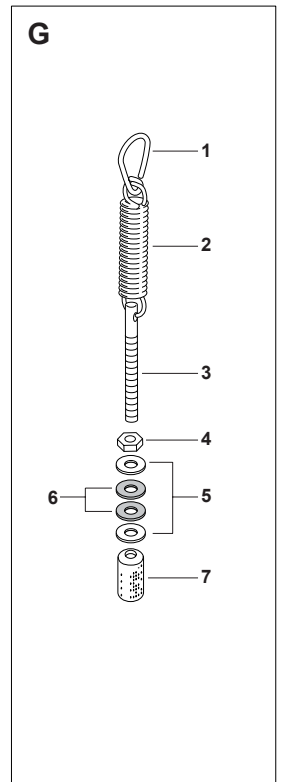
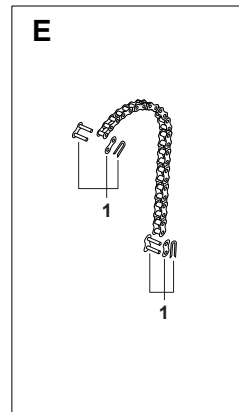
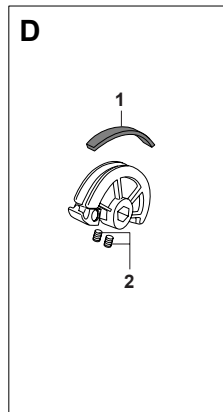
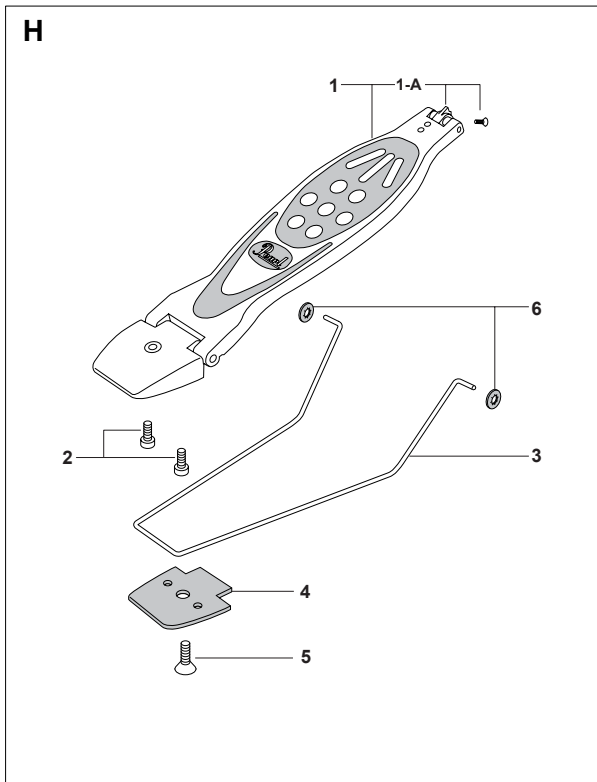
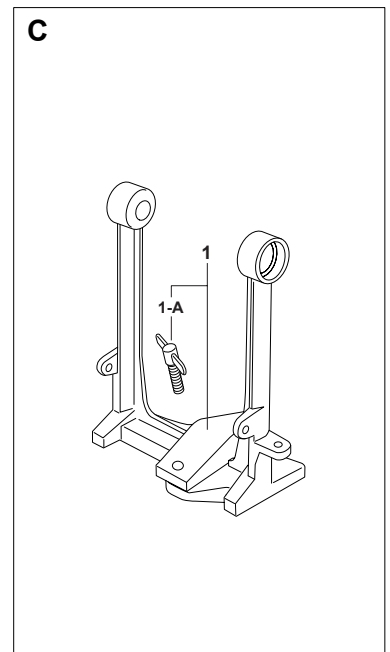
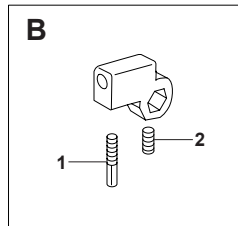
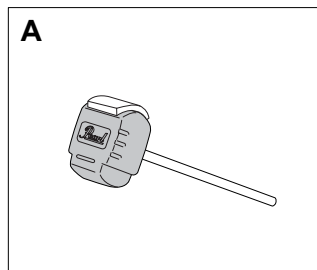
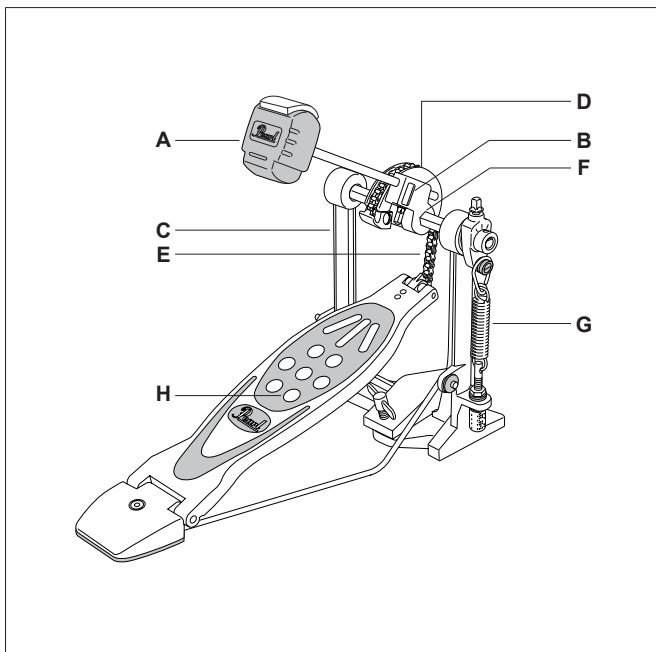
- A B-100DB "DuoBeat" 2 Way Beater**
- B BH-95 Beater Holder Link Complete**
- 1 KB-814 Key Bolt
- 2 SB-66 Allen Screw
- C DC-391CA Pedal Frame w/Hoop Clamp**
- 1 DC-201CA Hoop Clamp Assy. Complete
- 1-A ME-69 Handle Bolt
- D ALH-2 Aluminum Wheel Assy. Complete**
- 1 FE-29 Felt Strip
- 2 SB-66 Allen Screw (one each)
- E CCA-1 Connecting Chain Assy. Complete**
- 1 ME-212 Chain End Connector Assy. (one each)

- F ME-345A Hexagonal Axle Assy.**
- 1 ME-345 Hexagonal Axle
- 2 NU-07B Bearing (one each)
- 3 DC-536AC Beater Angle Cam Complete
- 3-A WS-43 Washer
- 3-B DC-536A Beater Angle Cam w/Key Bolt
- 3-C ME-530A Axle Sleeve w/Allen Screw
- 3-D ME-646 Cam Roller
- 3-E ME-170B Cam Bolt
- 4 BSA-3 End Nut w/Washer
- G SPA-9A Spring Assy. Complete**
- 1 SP-74 Hook
- 2 SP-31F Spring (w/Felt) ONLY
- 3 ME-166 Adjustment Bolt
- 4 NU-19 Hexagonal Nut
- 5 WS-27 Lock Washer (one each)
- 6 NP-407 Washer (one each)
- 7 ME-167 Adjustment Nut

- H FB-120P Footboard Assy. Complete**
- 1 DC-643SA Footboard w/Chain Connector
- 1-A DC-164NA Chain Connector w/Pin and Screw
- 2 KB-608 Key Bolt
- 3 SC-261 Screw (one each)
- 4 DC-398 Heel Position Adjust Nut
- I PR-631A Power Plate Assy. Complete**
- 1 SC-149 Screw (one each)
- 2 SC-39 Screw
- 3 NP-199A Rubber Mat (Front)
- 4 NP-199B Rubber Mat (Heel)

DRUM PEDALS

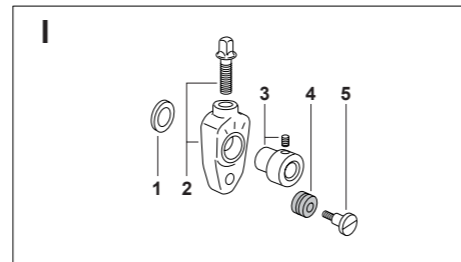
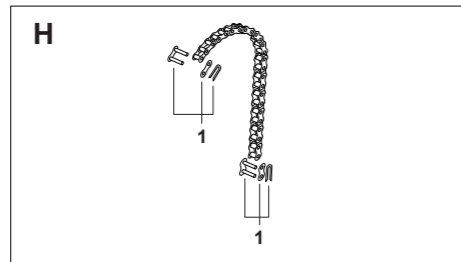
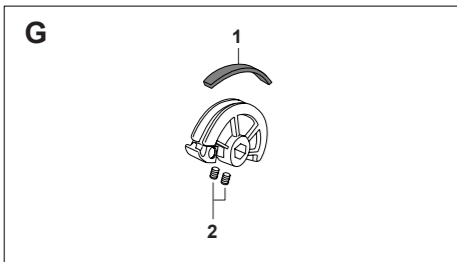
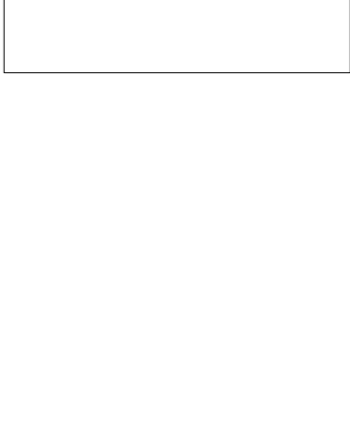
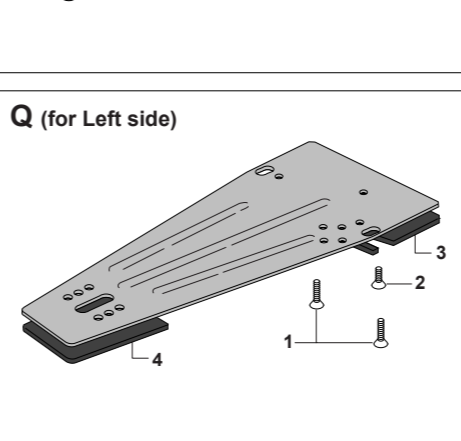
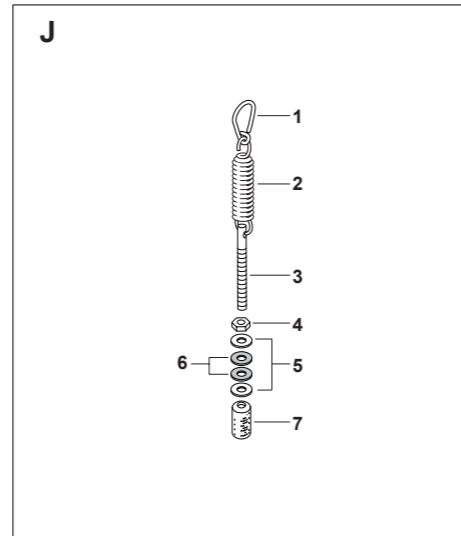
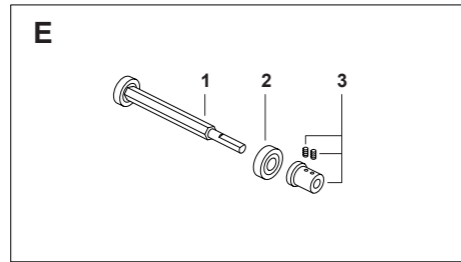
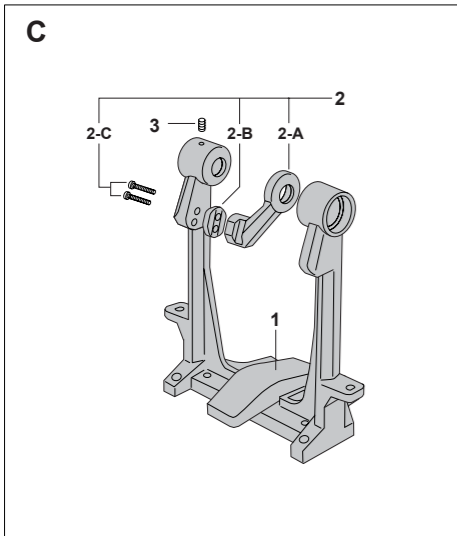
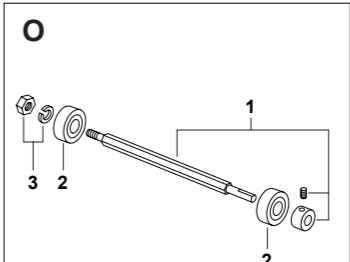
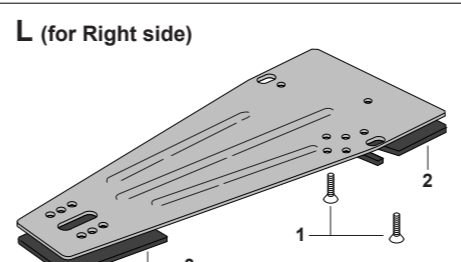
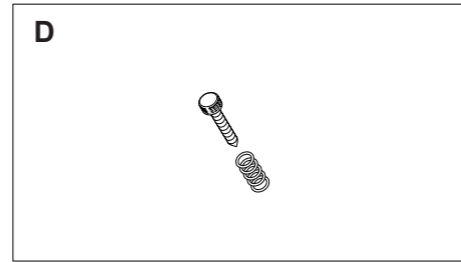
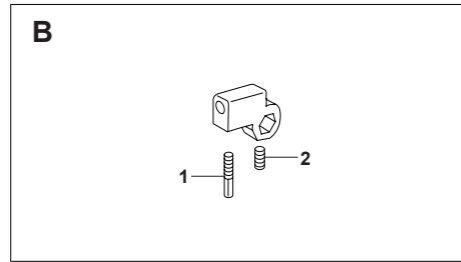
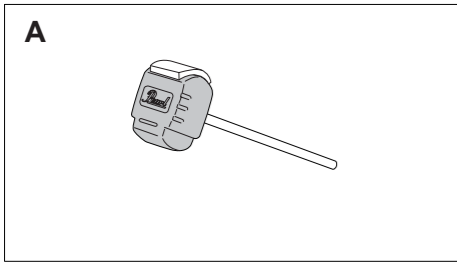
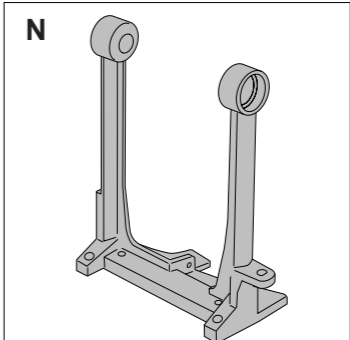
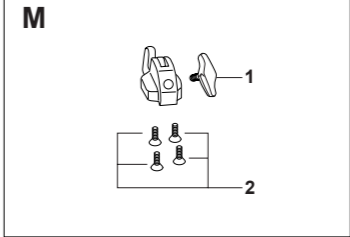
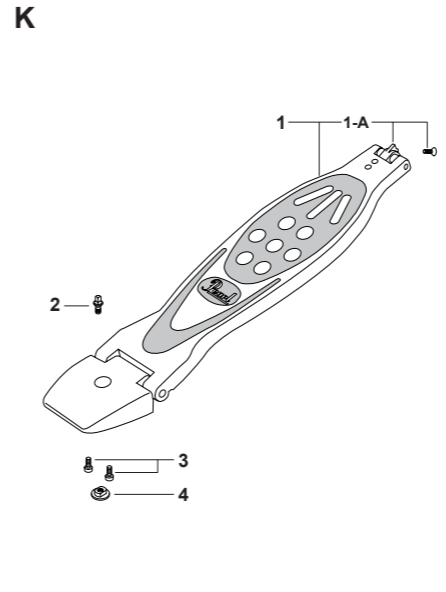
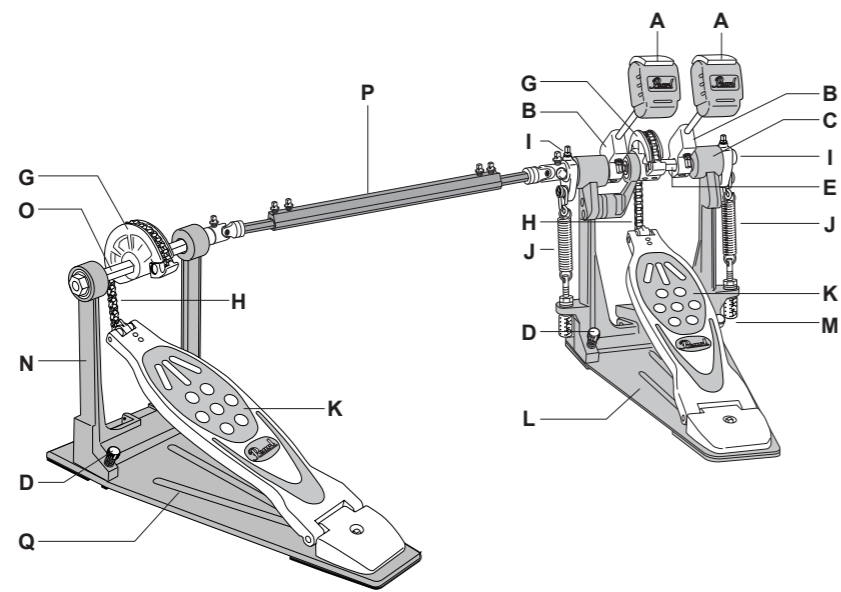
P-120



- | | | | | | | | | |
|----------|-----------------|--|----------|----------------|------------------------------|----------|---------------|--|
| A | B-100DB | "DuoBeat" 2 Way Beater | F | ME-345A | Hexagonal Axle Assy. | H | FB-120 | Footboard Assy. Complete |
| B | BH-95 | Beater Holder Link Complete | 1 | ME-345 | Hexagonal Axle | 1 | DC-343AR | Footboard w/Chain Connector |
| 1 | KB-814 | Key Bolt | 2 | NU-07B | Bearing (one each) | 1-A | DC-164NA | Chain Connector w/Pin and Screw |
| 2 | SB-66 | Allen Screw | 3 | DC-536AC | Beater Angle Cam Complete | 2 | SC-261 | Cap Screw (one each) |
| C | DC-391BA | Pedal Frame w/Hoop Clamp | 3-A | WS-43 | Washer | 3 | ME-207B | Radius Rod ONLY |
| 1 | DC-201BA | Hoop Clamp Assy. Complete | 3-B | DC-536A | Beater Angle Cam w/Key Bolt | 4 | PR-447 | Radius Rod Cover |
| 1-A | ME-69 | Handle Bolt | 3-C | ME-530A | Axle Sleeve w/Allen Screw | 5 | SC-258 | Screw |
| D | ALH-2 | Aluminum Wheel Assy. Complete | 3-D | ME-646 | Cam Roller | 6 | WS-50 | Push Nut (Radius Rod Stopper) (one each) |
| 1 | FE-29 | Felt Strip | 3-E | ME-170B | Cam Bolt | | | |
| 2 | SB-66 | Allen Screw (one each) | 4 | BSA-3 | End Nut w/Washer | | | |
| E | CCA-1 | Connecting Chain Assy. Complete | G | SPA-8A | Spring Assy. Complete | | | |
| 1 | ME-212 | Chain End Connector Assy. (one each) | 1 | SP-74 | Hook | | | |
| | | | 2 | SP-31F | Spring (w/Felt) ONLY | | | |
| | | | 3 | ME-166 | Adjustment Bolt | | | |
| | | | 4 | NU-19 | Hexagonal Nut | | | |
| | | | 5 | WS-27 | Lock Washer (one each) | | | |
| | | | 6 | NP-407 | Washer (one each) | | | |
| | | | 7 | ME-167 | Adjustment Nut | | | |

DRUM PEDALS

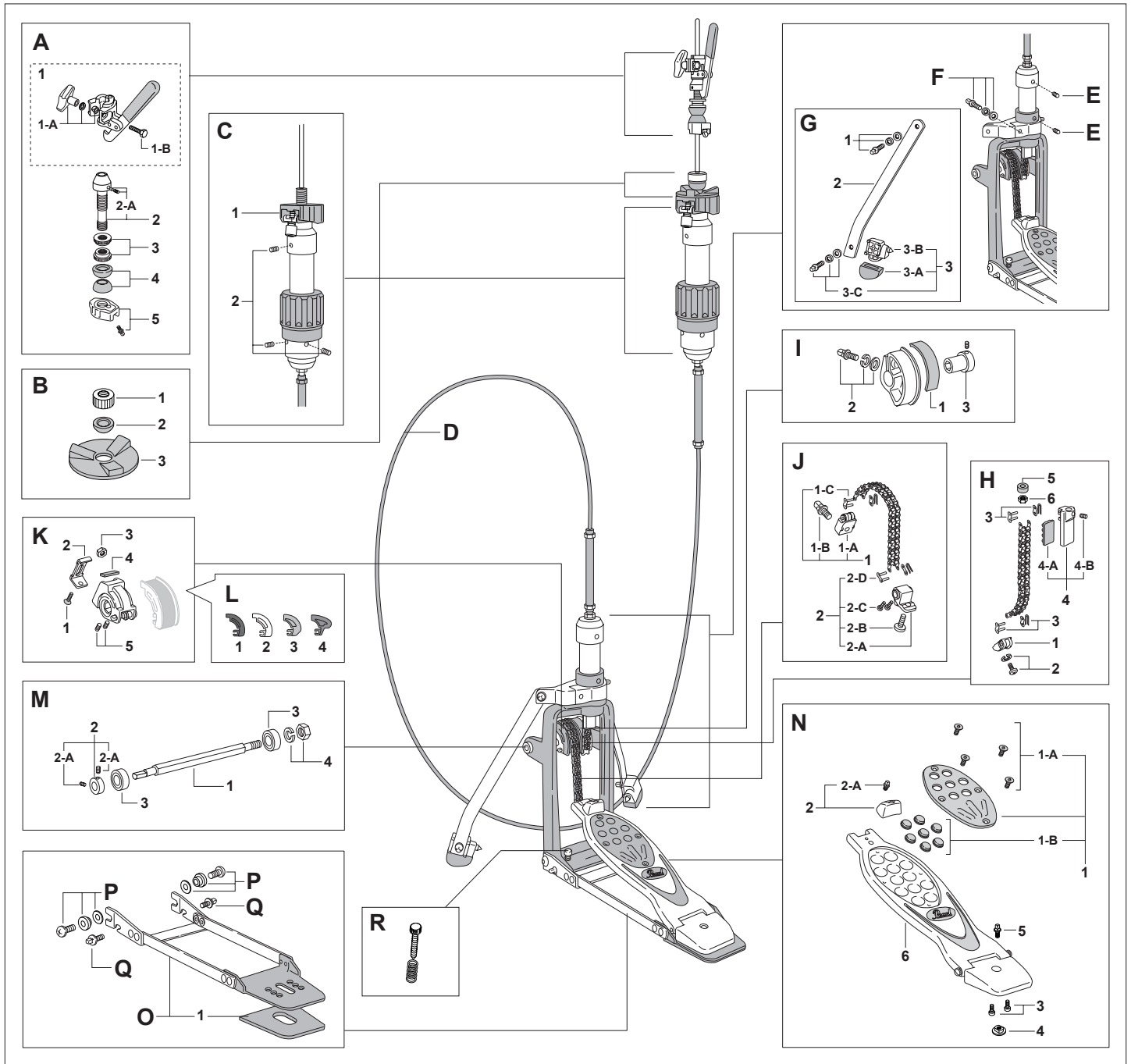
P-122TW



- A** **B-100DB** "DuoBeat" 2 Way Beater
- B** **BH-95** Beater Holder Link, Complete
- 1** **KB-814** Key Bolt
- 2** **SB-66** Allen Screw
- C** **DC-546CA** Pedal Frame w/Hoop Clamp
- 1** **DC-397BA** Hoop Clamp w/Pin
- 2** **DC-547CA** Axle Support Arm Assy. Complete
- 2-A** **DC-547C** Axle Support Arm
- 2-B** **DC-314C** Axle Support Spacer
- 2-C** **SC-222** Screw (one each)
- 3** **SB-44** Allen Screw
- D** **LT-636** Anchor Screw w/Spring
- E** **ME-394A** Hexagonal Axle Assy. Complete
- 1** **HEX-8L** Hexagonal Axle w/Bearing
- 2** **NU-07B** Bearing
- 3** **ME-393N** Axle Sleeve w/Allen Screws
- F** **ME-342A** Hexagonal Axle Assy. Complete
- 1** **HEX-8S** Hexagonal Axle (short)
- 2** **NU-07B** Bearing (one each)
- 3** **BS-85** Bearing Spacer
- 4** **ME-393N** Axle Sleeve w/Allen Screws
- G** **ALH-2** Aluminum Wheel Assy. Complete
- 1** **FE-29** Felt Strip
- 2** **SB-66** Allen Screw (one each)
- H** **CCA-1** Connecting Chain Assy. Complete
- 1** **ME-212** Chain End Connector Assy. (one each)
- I** **DC-536AC** Beater Angle Cam Assy. Complete
- 1** **WS-43** Washer
- 2** **DC-536A** Beater Angle Cam w/Key Bolt
- 3** **DC-530A** Axle Sleeve w/Screw
- 4** **ME-646** Cam Roller
- 5** **ME-170B** Cam Bolt
- J** **SPA-9A** Spring Assy. Complete
- 1** **SP-74** Hook
- 2** **SP-31F** Spring (w/Felt) ONLY
- 3** **ME-166** Adjustment Bolt
- 4** **NU-19** Hexagonal Nut
- 5** **WS-27** Lock Washer (one each)
- 6** **NP-407** Washer (one each)
- 7** **ME-167** Adjustment Nut
- K** **FB-120P** Footboard Assy. Complete
- 1** **DC-643SA** Footboard w/Chain Connector
- 1-A** **DC-164NA** Chain Connector w/Pin and Screw
- 2** **KB-608** Cap Screw (one each)
- 3** **SC-261** Key Bolt
- 4** **DC-398** Heel Position Adjust Nut
- L** **PR-631A** Power Plate Assy. Complete
- 1** **SC-149** Screw (one each)
- 2** **NP-199A** Rubber Mat (Front)
- 3** **NP-199B** Rubber Mat (Heel)
- M** **DC-399ATN** Hoop Clamp Cam Assy. Complete
- 1** **UGB-820** Die-Cast Wing Bolt
- 2** **SC-191BN** Screw (one each)
- N** **DC-404C** Pedal Frame
- O** **ME-345A** Hexagonal Axle Assy.
- 1** **HEX-9** Hexagonal Axle w/Axle Sleeve and Allen Screw
- 2** **NU-07B** Bearing (one each)
- 3** **BSA-3** End Nut w/Washer
- P** **DS-200A** Drive Shaft Assy. Complete
- 1** **SP-65A** Drive Shaft Sleeve w/Key Bolts
- 1-A** **KB-608** Key Bolt (one each)
- 2** **HS-200A** Hexagonal Drive Shaft w/Key Bolts (one set)
- 2-A** **KB-508** Key Bolt (one each)
- Q** **PR-632AC** Power Plate Assy. Complete
- 1** **SC-149** Screw (one each)
- 2** **SC-39** Screw
- 3** **NP-199A** Rubber Mat (Front)
- 4** **NP-199B** Rubber Mat (Heel)

HI-HAT STANDS

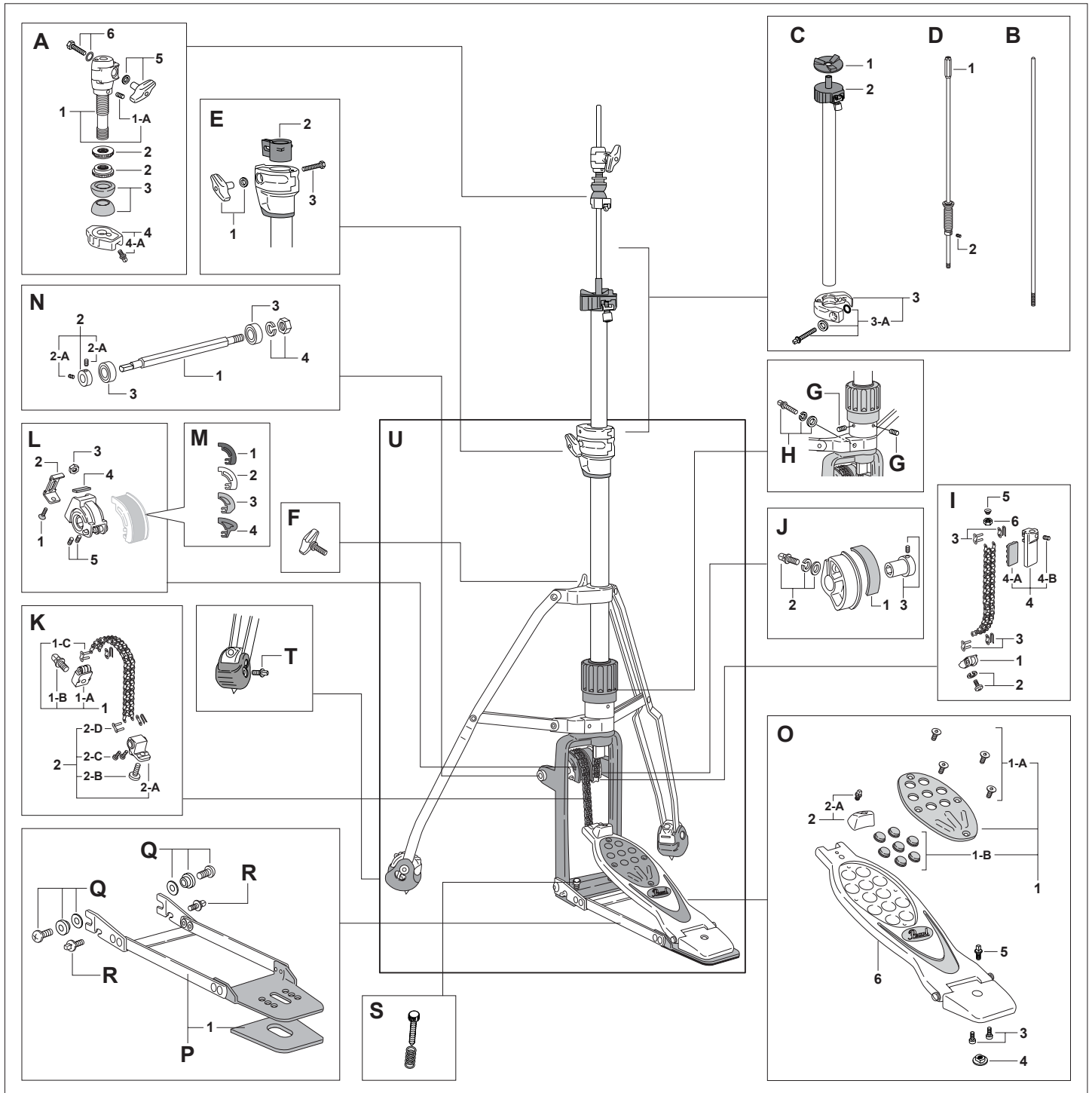
RH-2000



A	DCL-300P	Drop Clutch	H	CCA-6H	Chain Assy. Complete (pull cam side)	L	Interchangeable Cam	
1	DCL-300T	Drop Clutch Head Assy.	1	DC-400	Chain Connector	1	CAM-BK	Black Cam
1-A	UGN-6	Die Cast Wing Nut	2	SC-94W	Screw with Washer	2	CAM-WT	White Cam
1-B	SC-168	Screw	3	ME-244	Chain End Connector Assy. (one each)	3	CAM-BL	Blue Cam
2	ME-642A	Drop Clutch Bolt	4	DC-524A	Rod Connector, Complete	4	CAM-RD	Red Cam
2-A	SB-55	Allen Screw w/Pin	4-A	NP-296	Rubber Cushion	M	ME-517A	Hexagonal Axle Assy.
3	ME-137	Lock Nut (One each)	4-B	SB-44	Allen Screw	1	ME-517	Hexagonal Axle ONLY
4	NP-210	Rubber Washer (One each)	5	FE-42	Felt Washer	2	ME-518A	Axle Sleeve w/Allen Screws
5	DC-554AC	Bottom Lock Nut	6	NU-19	Nut	2-A	SB-44	Allen Screw
B	CYS-200AA	Cymbal Seat Assy.	I	DC-525A	Aluminum Pull Cam Assy. Complete	3	NU-07B	Bearing (one each)
1	ME-188	Lock Nut	1	FE-41	Felt Strip	4	BSA-3	End Nut w/Washer
2	NP-210	Rubber Washer	2	KB-625W	Key Bolt w/Washers	N	FB-2000A	Footboard Assy. Complete
3	NP-208	Rubber Cup Washer	3	ME-519A	Drive Shaft Sleeve w/Allen Screw	1	AL-24A	Traction Plate Assy.
C	HUP-200R	Upper Tube Assy. Complete	J	CCA-5H	Double Chain Assy. Complete	1-A	SC-363	Mounting Screw (one each)
1	HHC-20	Plastic Cup w/Tilter	1	DC-511AA	Chain Connecting Bracket Assy. (Top)	1-B	NP-283N	Traction Grip
2	Allen Screw (one each)		1-A	DC-511A	Chain Connecting Bracket ONLY (Top)	2	DC-508A	Toe Stopper Assy.
D	CAU-2000	Cable Unit Complete, w/Nuts & Washers	1-B	KB-508	Key Bolt	2-A	KB-508	Key Bolt
E	SB-55	Allen Screw (one each)	1-C	ME-244	Chain End Connector Assy. (one each)	3	SC-261	Screw (one each)
F	KB-625W	Key Bolt w/Washers	2	DC-511BA	Chain Connecting Bracket Assy. (Bottom)	4	DC-398	Heel Position Adjust Nut
G	PR-571A	Leg Assy. Complete	2-A	DC-511B	Chain Connecting Bracket ONLY (Bottom)	5	KB-608	Key Bolt
1	KB-625W	Key Bolt w/Washers	2-B	SC-322S	Screw	6	DC-512SN	Footboard Assy. ONLY
2	PR-571	Leg ONLY	2-C	SC-284	Screw (one each)	O	PR-554F	Pedal Frame Assy. Complete
3	CT-88A	Convertible Tip Assy. Complete	2-D	ME-244	Chain End Connector Assy. (one each)	1	NP-285	Rubber Mat
3-A	R-8H	Rubber Tip	K	DC-509A	Aluminum Wheel Assy. Complete	P	ME-520A	Frame Sleeve w/Screw
3-B	AN-88	Spike	1	SC-327	Flat-head Screw	Q	SC-348	Key Bolt
3-C	KB-615W	Key Bolt w/Washers	2	PR-546	Slider Bracket	R	LT-626	Anchor Screw w/Spring
			3	NU-10	Hexagonal Nut			
			4	FE-40C	Felt			
			5	SB-66	Allen Screw (one each)			

HI-HAT STANDS

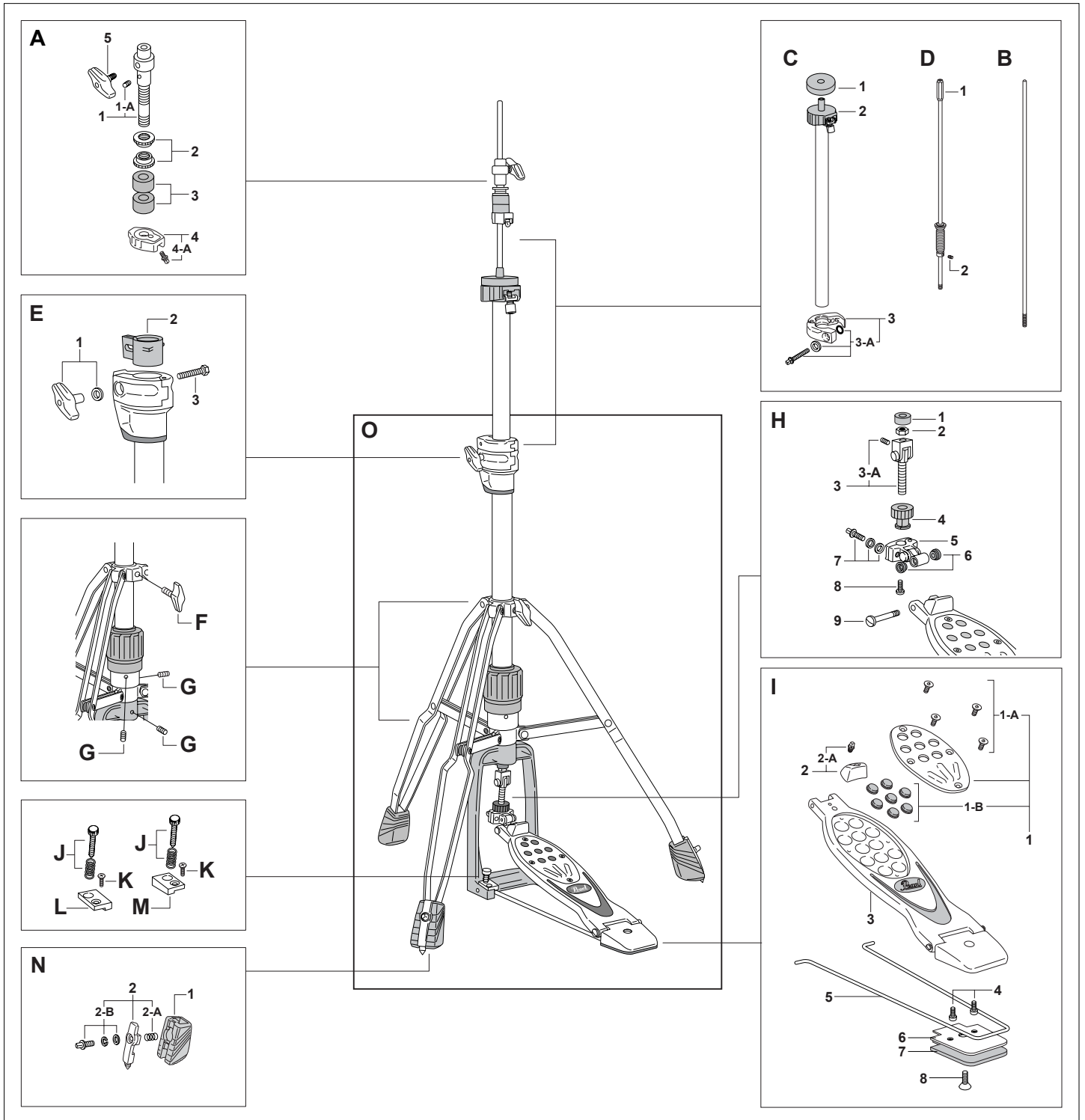
H-2000



A	SGC-300P	Super Grip Clutch	3	ME-244	Chain End Connector Assy. (one each)	3	CAM-BL	Blue Cam
1	DC-526A	Pipe Bolt	4	DC-524A	Rod Connector, Complete	4	CAM-RD	Red Cam
1-A	SB-44	Allen Screw	4-A	NP-296	Rubber Cushion	N	ME-517A	Hexagonal Axle Assy.
2	CL-95N	Lock Nut (one each)	4-B	SB-44	Allen Screw	1	ME-517	Hexagonal Axle ONLY
2	NP-210	Rubber Washer (one each)	5	SP-67	Waggie Spring	2-A	ME-518A	Axle Sleeve w/Allen Screws
3	DC-554AC	Bottom Lock Nut	6	NU-19	Nut	3	NU-07B	Allen Screw (one each)
4	KB-610	Key Bolt	J	DC-525A	Aluminum Pull Cam Assy. Complete	4	BSA-3	Bearing (one each)
4-A	UGN-6	Die-Cast Wing Nut w/Washer	1	FE-41	Felt Strip	5	FB-2000A	End Nut w/Washer
5	SC-168R	Clamp Bolt w/Nylon Washer	2	KB-825W	Key Bolt w/Washers	3	AL-24A	Footboard Assy. Complete
6	ME-145	Upper Pull Rod	3	ME-519A	Drive Shaft Sleeve w/Allen Screw	4	SC-363	Traction Plate Assy.
B	HUP-200	Upper Tube Assy. Complete	K	CCA-5H	Double Chain Assy. Complete	1-A	NP-283N	Mounting Screw (one each)
C	NP-208	Rubber Cup Washer	1	DC-511AA	Chain Connecting Bracket Assy. (Top)	1-B	DC-508A	Traction Grip
2	HHC-20	Plastic Cup w/Tilter	1-A	DC-511A	Chain Connecting Bracket ONLY (Top)	2	KB-508	Toe Stopper Assy.
3	DC-580A	Stop Lock, Complete	1-B	KB-508	Key Bolt	2-A	SC-261	Key Bolt
3-A	KB-625WO	Key Bolt w/Washer	1-C	ME-244	Chain End Connector Assy. (one set)	3	DC-398	Screw (one each)
D	LS-200	Lower Pull Rod, Complete	2	DC-511BA	Chain Connecting Bracket Assy. (Bottom)	4	KB-608	Heel Position Adjust Nut
1	ME-123	Pull Rod Connector ONLY	2-A	DC-511B	Chain Connecting Bracket ONLY (Bottom)	5	DC-512SN	Key Bolt
2	SB-44	Allen Screw	2-B	SC-322S	Screw	6	PR-554F	Footboard Assy. ONLY
E	DJ-800	Die-Cast Joint Assy. Complete	2-C	SC-284	Screw (one each)	P	NP-285	Pedal Frame Assy. Complete
1	UGN-6	Die-Cast Wing Nut w/Washer	2-D	ME-244	Chain End Connector Assy. (one set)	1	ME-520A	Rubber Mat
2	NP-365	Nylon Bushing	1	DC-509A	Aluminum Wheel Assy. Complete	Q	SC-348	Frame Sleeve w/Screw
3	SC-169	Clamp Bolt w/Nylon Washer	1	SC-327H	Flat-head Screw	R	LT-626	Key Bolt
F	UGB-815	Die-Cast Wing Bolt	2	PR-546	Slider Bracket	S	KB-625	Anchor Screw w/Spring
G	SB-55	Allen Screw	3	NU-10	Hexagonal Nut	T	KB-625	Key Bolt
H	KB-625W	Key Bolt w/Washers	4	FE-40C	Felt	U	H-204BA	Base Assy. Complete
I	CCA-6H	Chain Assy. Complete (pull cam side)	5	SB-66	Allen Screw (one each)			
1	DC-400	Chain Connector	M		Interchangeable Cam			
2	SC-94W	Screw with Washer	1	CAM-BK	Black Cam			
			2	CAM-WT	White Cam			

HI-HAT STANDS

H-1000



A CL-300 Hi-Hat Clutch Complete

- 1 ME-573AC Pipe Bolt
- 1-A SB-44 Allen Screw
- 2 CL-95 Lock Nut (one each)
- 3 FL-95 Felt Washer (one each)
- 4 DC-554A Bottom Lock Nut Complete
- 4-A KB-610 Key Bolt
- 5 UGB-610 Die-Cast Wing Bolt

B ME-145 Upper Pull Rod

- 1 ME-123 Pull Rod Connector ONLY
- 2 SB-44 Allen Screw

C HUP-100 Upper Tube Assy. Complete

- 1 FE-17 Felt Washer
- 2 HHC-20 Plastic Cup w/Tilter
- 3 DC-580A Stop Lock, Complete
- 3-A KB-625WO Key Bolt w/Washers

D LS-200 Lower Pull Rod Complete

- 1 ME-123 Pull Rod Connector ONLY
- 2 SB-44 Allen Screw

E DJ-800 Die-Cast Joint Assy. Complete

- 1 UGN-6 Die-Cast Wing Nut w/Washer
- 2 NP-365 Nylon Bushing
- 3 SC-169 Clamp Bolt

F UGB-815 Die-Cast Wing Bolt

- G SB-55 Allen Screw
- H FCA-100 Pedal Link Complete
- 1 NP-377 Rubber Washer
- 2 NU-19 Nut
- 3 ME-643AC Upper Link Assy.
- 3-A SB-44 Allen Screw
- 4 NP-353 Height Adjuster
- 5 DC-556AC Lower Link Assy.
- 6 NP-352 Nylon Spacer (one each)
- 7 KB-615W Key Bolt w/Washers
- 8 SC-351 Screw
- 9 ME-569 Pivot Bolt

I FB-1000 Footboard Assy. Complete

- 1 AL-24SA Traction Plate Assy.
- 1-A SC-363 Mounting Screw (one each)
- 1-B NP-283N Traction Grip (one each)
- 2 DC-508A Toe Stopper Assy.
- 2-A KB-508 Key Bolt
- 3 DC-512SH Footboard Assy. ONLY
- 4 SC-261 Screw (one each)

J LT-636 Anchor Screw w/Spring

- 5 ME-640 Radius Rod
- 6 PR-447 Radius Rod Cover
- 7 NP-387 Rubber Mat
- 8 SC-258 Screw
- K SC-39 Screw
- L DC-557LF Anchor Plate, Left
- M DC-557RF Anchor Plate, Right

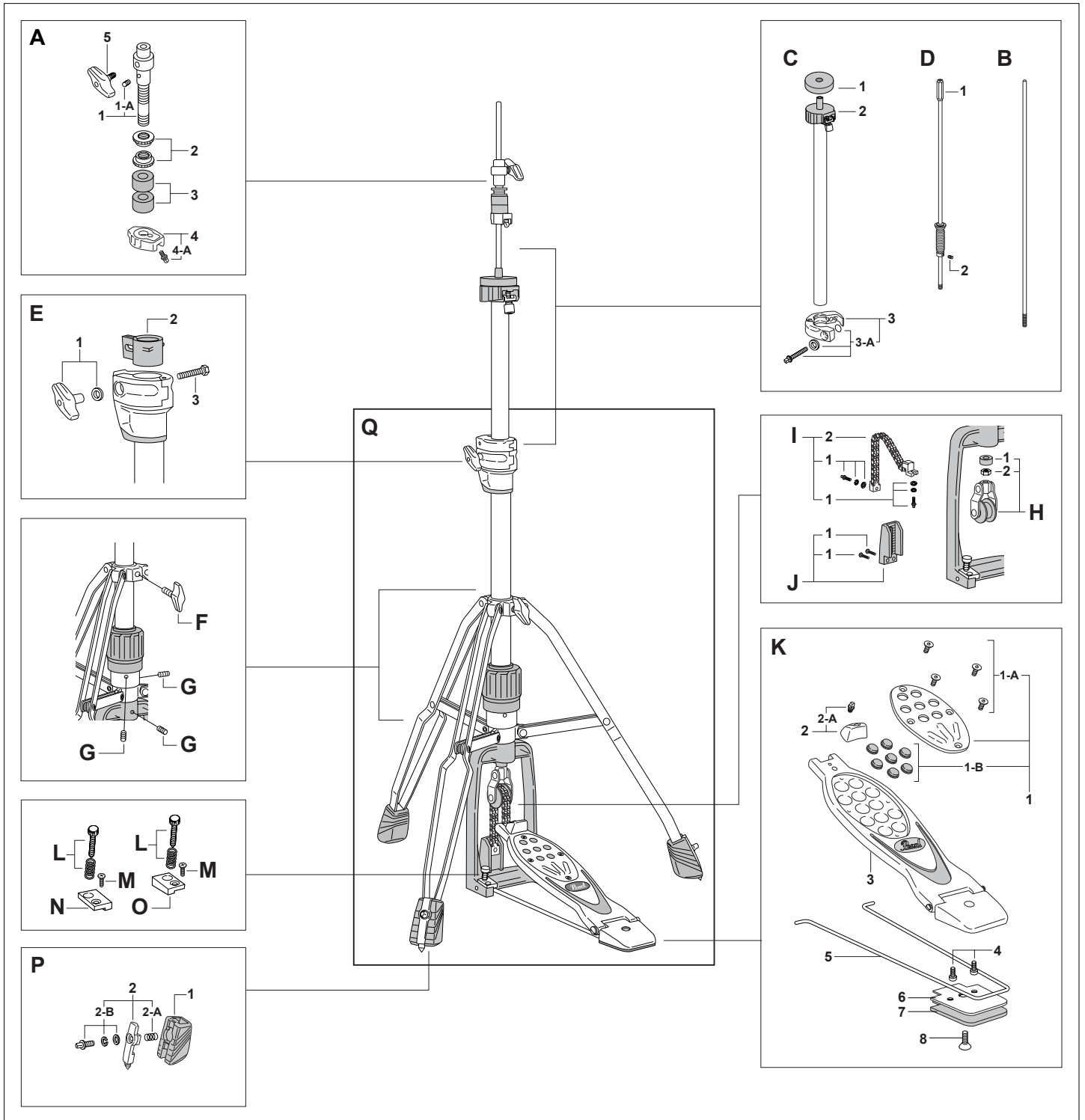
N NP-427AC Convertible Tip Assy. Complete

- 1 NP-427 Rubber Tip ONLY
- 2 DC-523A Spike Assy. Complete
- 2-A SP-33 Spring
- 2-B KB-625W Key Bolt w/Washers

O H-100 Base Assy. Complete

HI-HAT STANDS

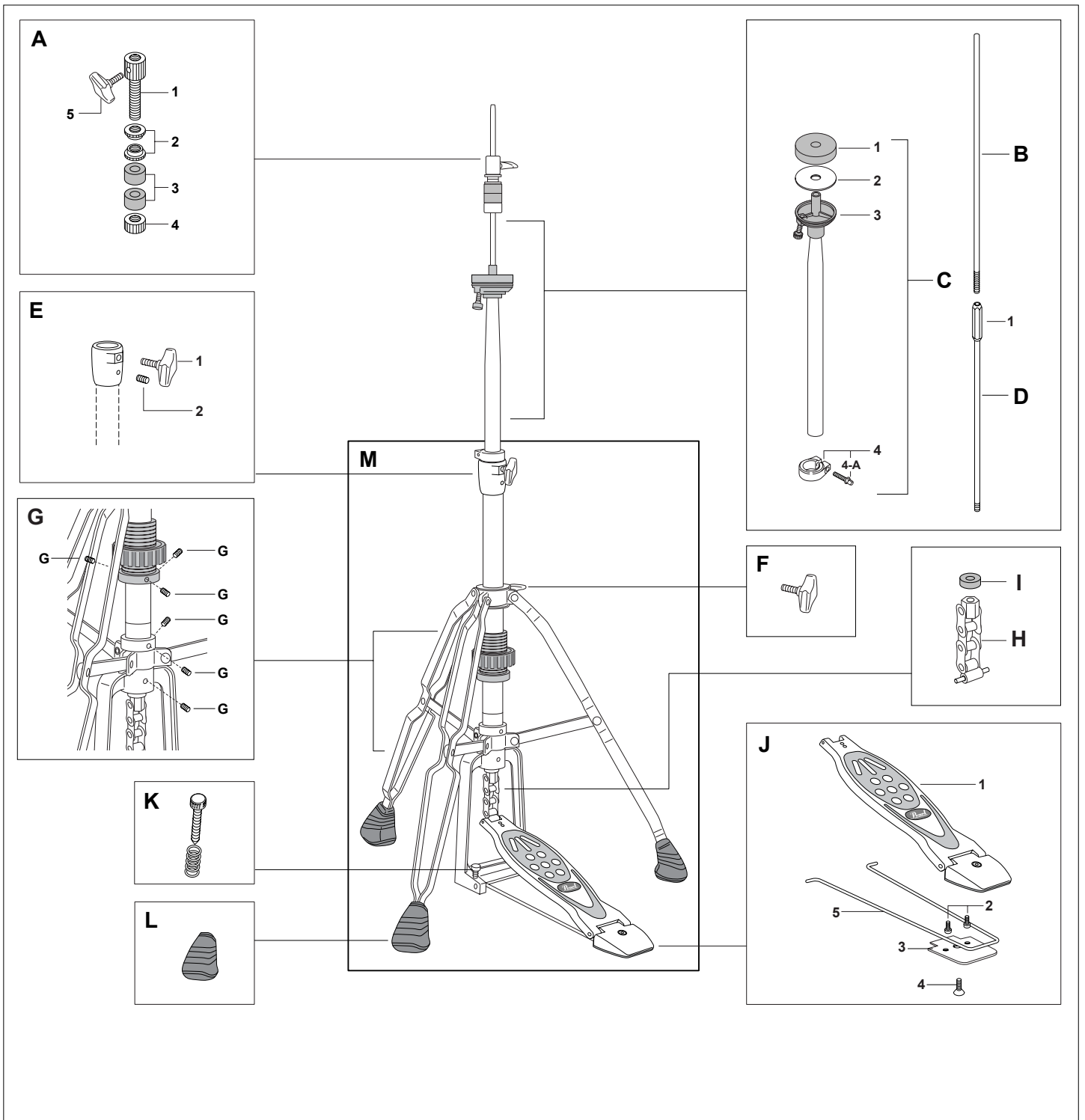
H-1000K



A	CL-300	Hi-Hat Clutch Complete	F	UGB-815	Die-Cast Wing Bolt	7	NP-387	Rubber Mat
1	ME-573AC	Pipe Bolt	G	SB-55	Allen Screw	8	SC-258	Screw
1-A	SB-44	Allen Screw	H	CHW-10K	Chain Wheel Assy. Complete	L	LT-636	Anchor Screw w/Spring
2	CL-95N	Lock Nut (one each)	I	NP-377	Rubber Washer	M	SC-39	Screw
3	FL-95	Rubber Washer (one each)	J	ME-649A	Chain ONLY	N	DC-557LF	Anchor Plate, Left
4	DC-554A	Bottom Lock Nut Complete	K	ME-649AC	Connecting Chain Assy. Complete	O	DC-557RF	Anchor Plate, Right
4-A	KB-610	Key Bolt	1	KB-615W	Key Bolt w/Washers (one set)	P	NP-427AC	Convertible Tip Assy. Complete
5	UGB-610	Die-Cast Wing Bolt	2	NP-377	Chain ONLY	1	NP-427	Rubber Tip ONLY
B	ME-145	Upper Pull Rod	2	ME-649A	Chain ONLY	2	DC-523A	Spike Assy. Complete
C	HUP-100	Upper Tube Assy. Complete	J	CBA-1K	Chain Connecting Base Assy.	2-A	SP-33	Spring
1	FE-17	Felt Washer	1	S-520	Clamp Screw (one each)	2-B	KB-625W	Key Bolt w/Washers
2	HHC-20	Plastic Cup w/Tilter	K	FB-1000K	Footboard Assy. Complete	Q	H-100KBA	Base Assy. Complete
3	DC-580A	Stop Lock, Complete	1	AL-24SA	Traction Plate Assy.	1		
3-A	KB-625WO	Key Bolt w/Washers	1-A	SC-363	Mounting Screw (one each)	1-B		
D	LS-200	Lower Pull Rod Complete	1-B	NP-283N	Traction Grip (one each)	2		
1	ME-123	Pull Rod Connector ONLY	2	DC-508A	Toe Stopper Assy.	2-A		
2	SB-44	Allen Screw	2-A	KB-508	Key Bolt	3		
E	DJ-800	Die-Cast Joint Assy. Complete	3	DC-512SN	Footboard Assy. ONLY	4		
1	UGN-6	Die-Cast Wing Nut w/Washer	4	SC-261	Screw (one each)	5		
2	NP-365	Nylon Bushing	5	ME-641	Radius Rod	6		
3	SC-169	Clamp Bolt	6	PR-447	Radius Rod Cover	7		

HI-HAT STANDS

H-820W

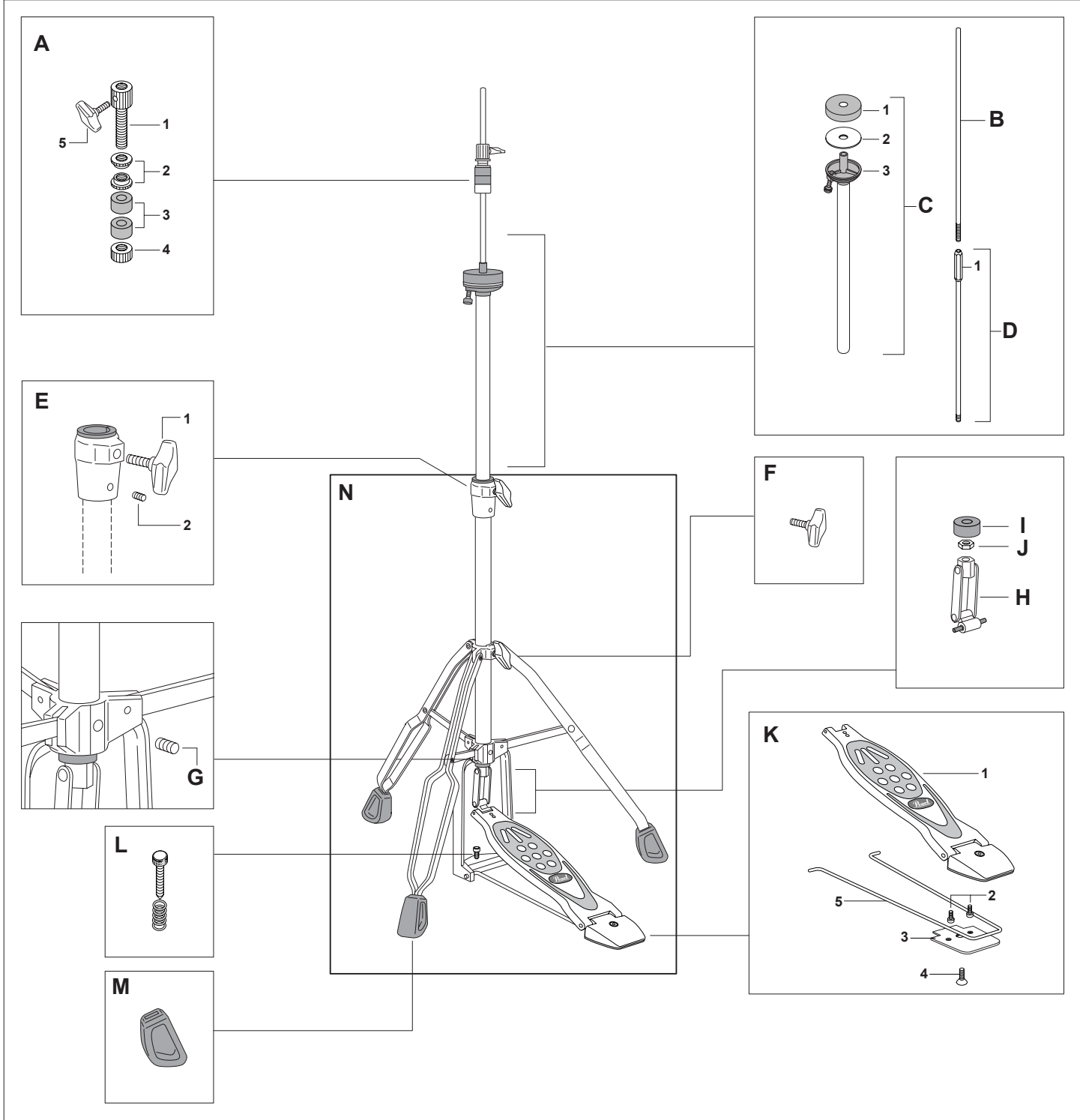


A	CL-68N	Hi-Hat Clutch Complete
1	ME-36	Pipe Bolt
2	CL-65N	Lock Nut (one each)
3	FE-10	Felt Washer (one each)
4	ME-38	Bottom Lock Nut
5	UGB-610	Die-Cast Wing Bolt
B	ME-145	Upper Pull Rod
C	PP-82AF	Upper Tube Assy. Complete
1	FE-33	Felt Washer
2	PR-128	Steel Washer
3	HHC-1	Plastic Cup w/Tilter
4	SX-2NN	Stop Lock, Complete
4-A	KB-630	Key Bolt
D	LS-85	Lower Pull Rod Complete
1	ME-123	Pull Rod Connector ONLY
E	DJ-75A	Die-Cast Joint Assy. Complete
1	UGB-815	Die-Cast Wing Bolt
2	SB-44	Allen Screw

F	UGB-815	Die-Cast Wing Bolt
G	SB-54	Allen Screw (one each)
H	CHS-1A	Chain Assy. Complete
I	FE-16	Felt Washer
J	FB-820	Footboard Assy. Complete
1	DC-643S	Footboard ONLY
2	SC-261	Screw (one each)
3	PR-447	Radius Rod Cover
4	SC-258	Screw
5	ME-640	Radius Rod
K	LT-626	Anchor Screw w/Spring
L	R-22N	Rubber Tip
M	H-82BA	Base Assy. Complete

HI-HAT STANDS

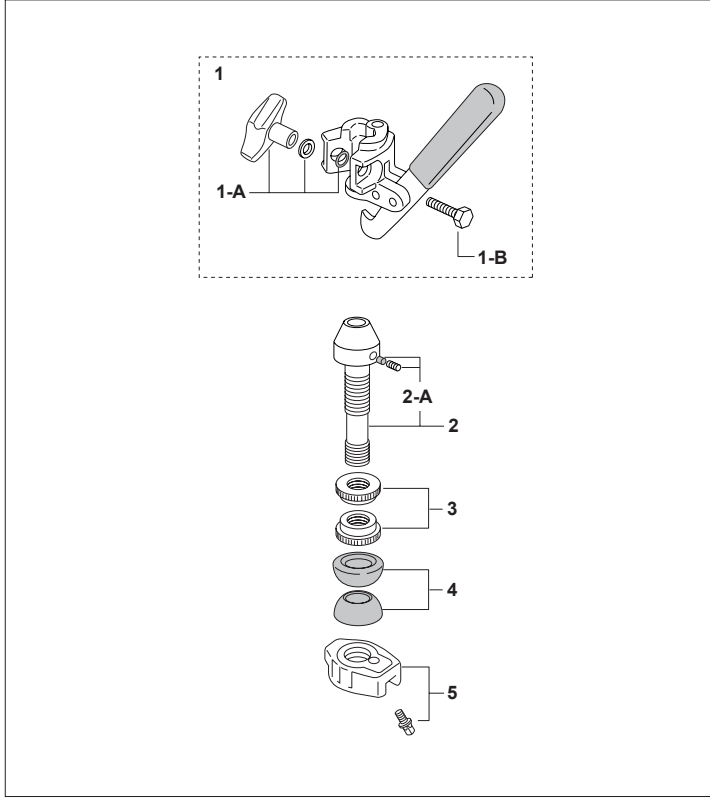
H-72W



- | | | | | | |
|----------|-----------------|--------------------------------------|----------|-----------------|---------------------------------|
| A | CL-68N | Hi-Hat Clutch Complete | F | UGB-815 | Die-Cast Wing Bolt |
| 1 | ME-36 | Pipe Bolt | G | SB-54 | Allen Screw |
| 2 | CL-65N | Lock Nut (one each) | H | ME-197AA | Pull Rod Link Assy. |
| 3 | FE-10 | Felt Washer | I | FE-16 | Felt |
| 4 | ME-38 | Bottom Lock Nut | J | SN-6M | Hexagonal Nut |
| 5 | UGB-610 | Die-Cast Wing Bolt | K | FB-820 | Footboard Assy. Complete |
| B | ME-145 | Upper Pull Rod | 1 | DC-643S | Footboard ONLY |
| C | PP-601A | Upper Tube Assy. Complete | 2 | SC-261 | Screw (one each) |
| 1 | FE-33 | Felt Washer | 3 | PR-447 | Radius Rod Cover |
| 2 | PR-128 | Steel Washer | 4 | SC-258 | Screw |
| 3 | HHC-07A | Plastic Cup w/Tilter | 5 | ME-640 | Radius Rod |
| D | ME-605AN | Lower Pull Rod Complete | L | LT-622 | Anchor Screw w/Spring |
| 1 | ME-42N | Pull Rod Connector ONLY | M | NP-604 | Rubber Tip |
| E | DJ-07A | Die-Cast Joint Assy. Complete | N | H-7WL | Base Assy. Complete |
| 1 | UGB-815 | Die-Cast Wing Bolt | | | |
| 2 | SB-44 | Allen Screw | | | |

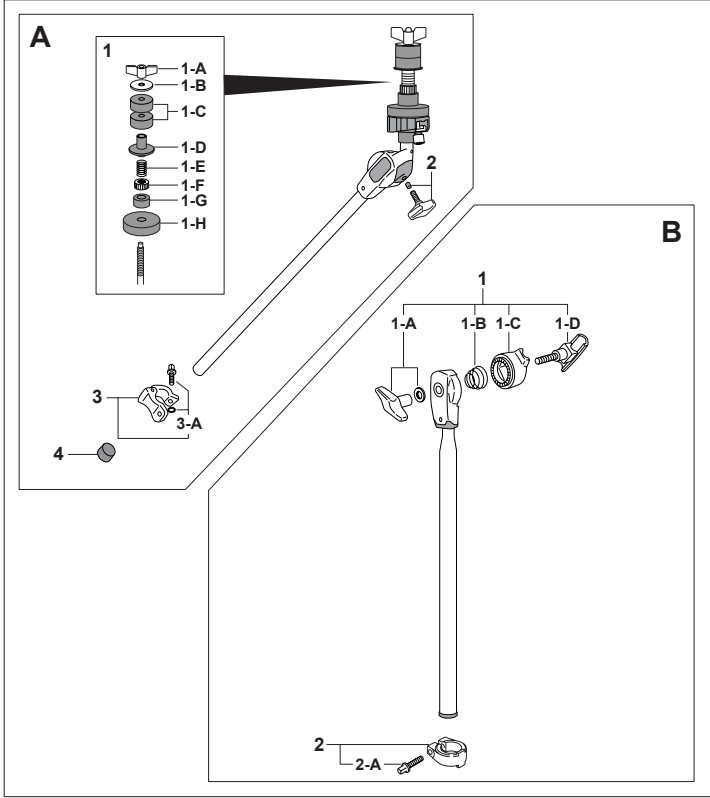
HI-HAT ACCESSORIES

DCL-300P Drop Clutch



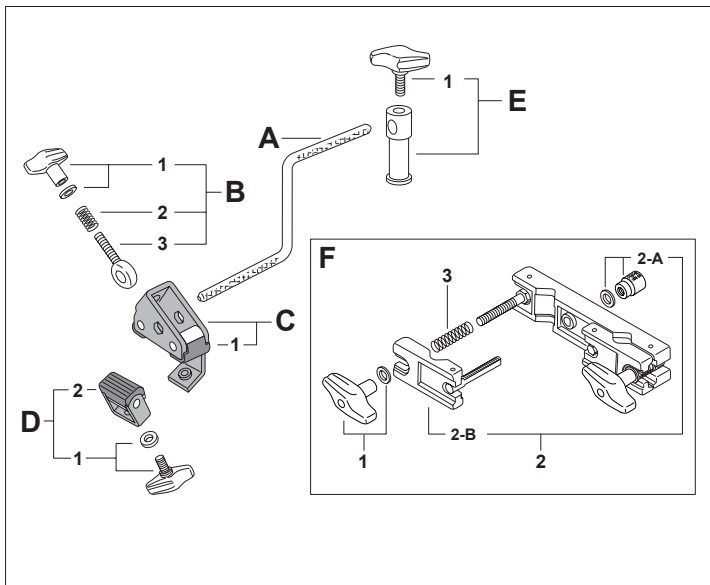
- | | | |
|-----|----------|--------------------------|
| 1 | DCL-300T | Drop Clutch Head Assy. |
| 1-A | UGN-6 | Die Cast Wing Nut |
| 1-B | SC-168 | Screw |
| 2 | ME-642A | Drop Clutch Bolt |
| 2-A | SB-55 | Allen Screw w/Pin |
| 3 | ME-137 | Lock Nut (One each) |
| 4 | NP-210 | Rubber Washer (One each) |
| 5 | DC-554AC | Bottom Lock Nut |

CLH-1000



- | | | | | | |
|----------|------------------|-------------------------------------|----------|----------------|----------------------------|
| A | CLH-1000U | Upper Section Assy. Complete | 3 | DC-625A | Stop Lock Complete |
| 1 | TLH-1000A | Top Section Assy. | 3-A | KB-815WO | Key Bolt |
| 1-A | M-8WA | Die Cast Wing Nut | 4 | NP-71 | Rubber Tip |
| 1-B | WS-57 | Steel Washer | B | TU-200A | Tube Assy. Complete |
| 1-C | FL-95A | Felt Washer (One each) | 1 | BC-100A | Boom Clamp Assy. Complete |
| 1-D | NP-123 | Plastic Sleeve | 1-A | UGN-8L | Die-Cast Wing Nut w/Washer |
| 1-E | SP-41 | Spring | 1-B | SP-27N | Spring |
| 1-F | ME-188 | Lock Nut | 1-C | DC-594 | Clamp Gear Link |
| 1-G | FE-15T | Felt Washer | 1-D | DC-596A | Boom Clamp Bolt |
| 1-H | FE-17 | Felt Washer | 2 | SX-2N | Stop Lock Complete |
| 2 | UGB-815P | Wing Bolt w/Pin | 2-A | KB-630 | Key Bolt |

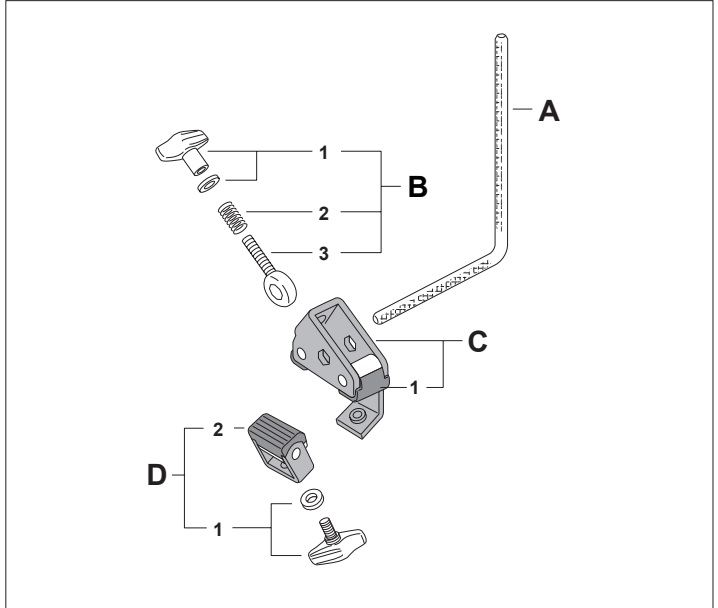
HA-100 Hi-Hat Attachment



- | | | | | | |
|----------|----------------|--------------------------------|----------|----------------|---|
| A | ME-534 | Crank Rod | E | ME-536A | Crank Rod Bracket |
| B | SC-271A | Eye Bolt Assy. Complete | 1 | UGN-8 | Die-Cast Wing Bolt |
| 1 | UGN-8 | Die-Cast Wing Nut w/Washer | F | AX-20 | Adaptor |
| 2 | SP-20S | Spring | 1 | UGB-8RN | Die-Cast Wing Nut w/Washer |
| 3 | SC-271 | Eye Bolt Only | 2 | AX-2DS | Die-Cast Link w/Swivel Bolt, Hexagonal Nut & Washer |
| C | PR-570A | Hoop Mount Holder Assy. | 2-A | M-8RN | Knurled Round Nut w/Washer |
| 1 | NP-312A | Rubber Protector | 2-B | DS-20B | Die-Cast Link w/Swivel Bolt |
| D | PR-569A | Hoop Clamp Assy. | 3 | SP-26 | Spring |
| 1 | UGB-820 | Die-Cast Wing Bolt w/Washer | | | |
| 2 | NP-312B | Rubber Protector Only | | | |

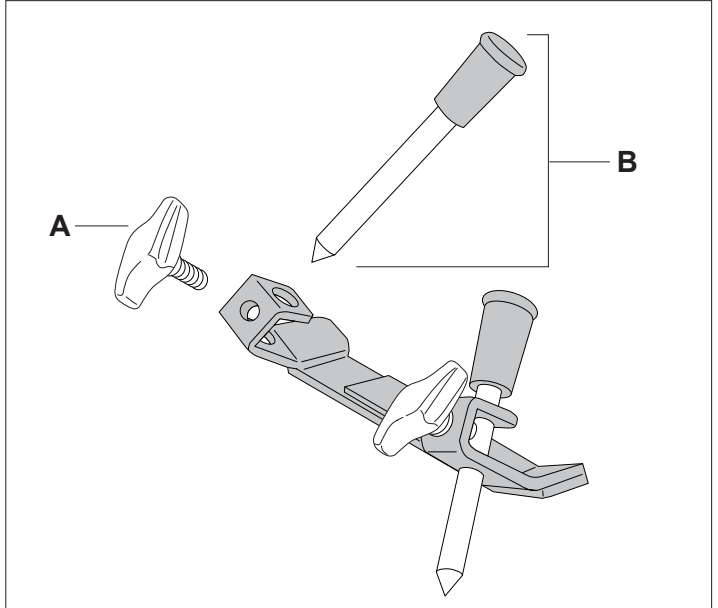
ACCESSORIES

CA-100 Cowbell Holder



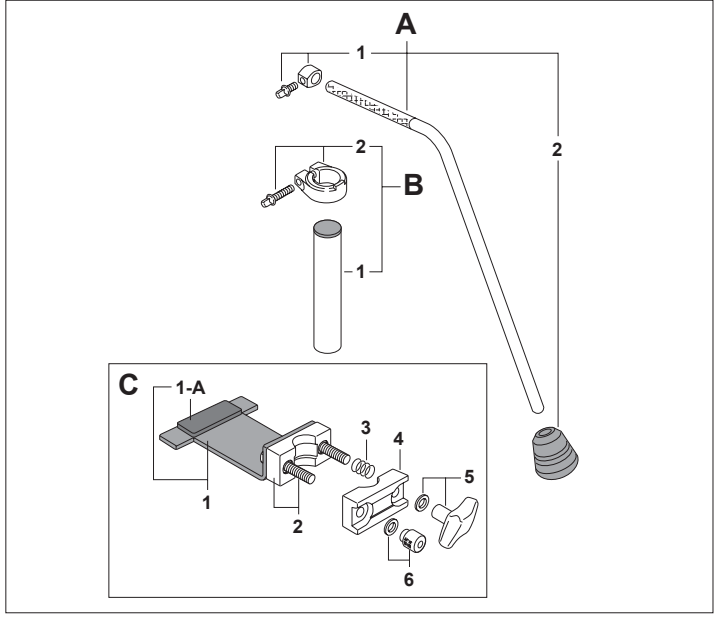
- A ME-535 L Rod**
- B SC-271A Eye Bolt Assy. Complete**
- 1 UGN-8 Die-Cast Wing Nut w/Washer
- 2 SP-20S Spring
- 3 SC-271 Eye Bolt Only
- C PR-570A Hoop Mount Holder Assy.**
- 1 NP-312A Rubber Protector
- D PR-569A Hoop Clamp Assy.**
- 1 UGB-820 Die-Cast Wing Bolt w/Washer
- 2 NP-312B Rubber Protector Only

PS-85 Stabilizer



- A UGB-815 Die-Cast Wing Bolt (one each)**
- B ME-209A Spike w/Rubber Tip (one each)**

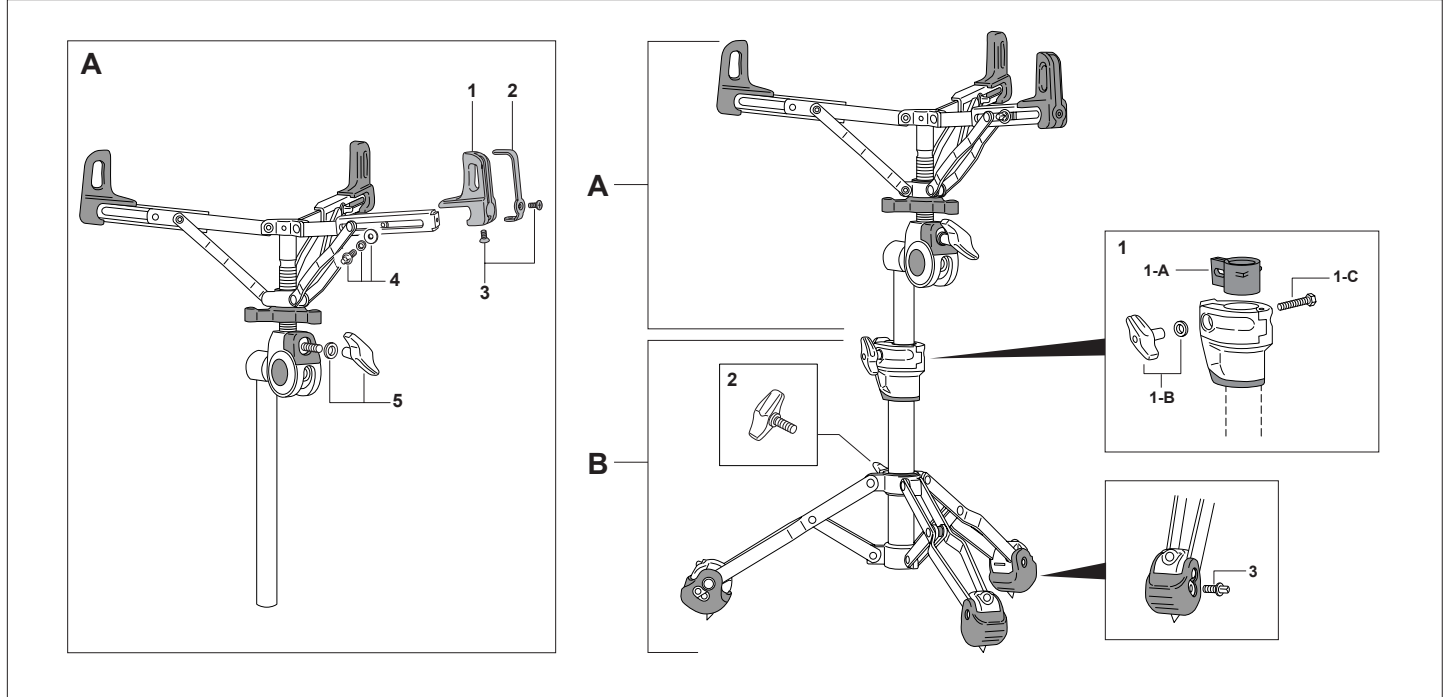
JG-16 Jungle Gig Adaptor



- A ME-508A Leg Assy. Complete**
- 1 LG-04S Stop Lock Complete
- 2 R-5 Rubber Tip
- B PP-182A Pipe Assy. Complete**
- 1 PP-182 Pipe w/Plastic Caps
- 2 SX-2N Stop Lock, Complete
- C PR-551AC Pedal Plate Assy. Complete**
- 1 PR-551A Pedal Plate ONLY
- 1-A NP-140 Rubber Protector
- 2 DC-365A Pipe Bracket w/Bolts
- 3 SP-45S Spring
- 4 DC-366 Die-Cast Link
- 5 UGN-8 Die-Cast Wing Nut w/Washer
- 6 M-8RN Knurled Round Nut w/Wahser

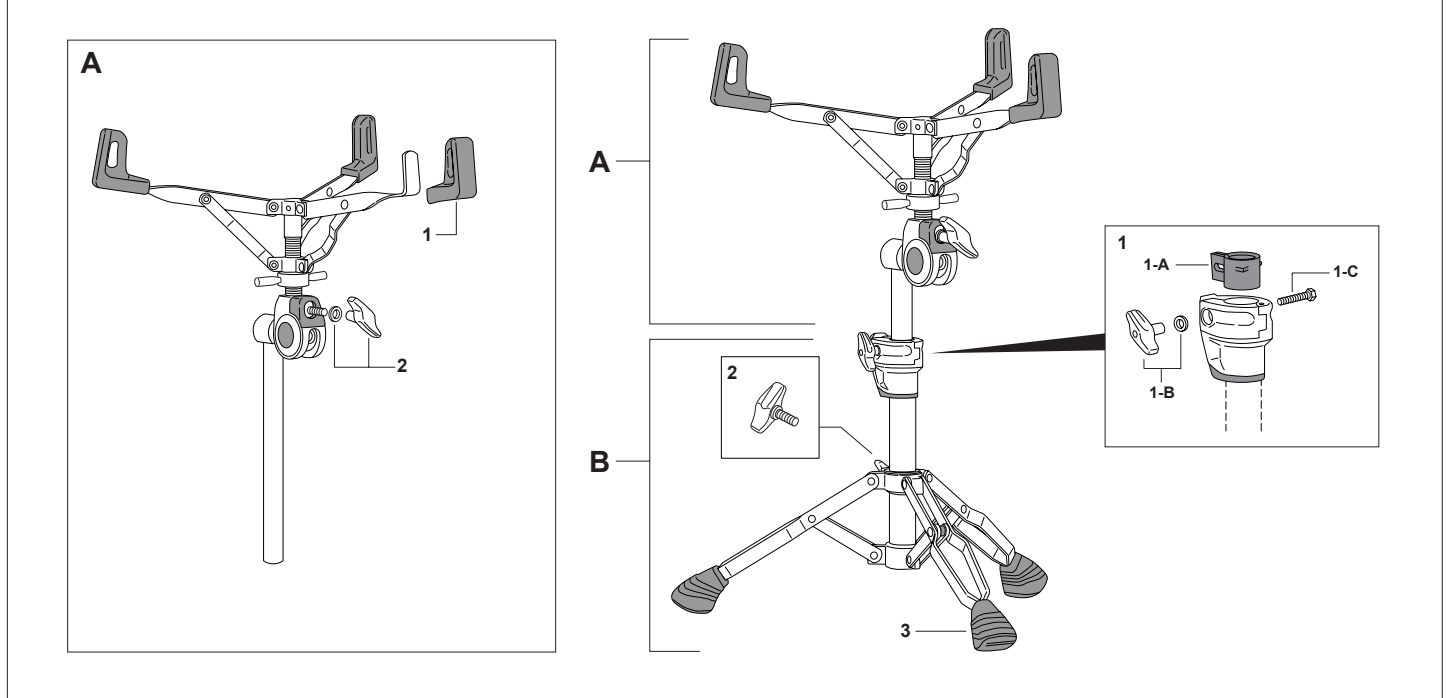
SNARE STANDS

S-2000



- | | | | | | |
|----------|---------------|-----------------------------|----------|---------------|-------------------------------|
| A | S-204A | Basket Complete | B | S-204B | Base Assy. Complete |
| 1 | NP-320 | Rubber Sleeve (one each) | 1 | DJ-700 | Die-Cast Joint Assy. Complete |
| 2 | PR-573 | Rubber Sleeve Support Plate | 1-A | NP-366 | Nylon Bushing |
| 3 | SC-363 | Screw (one each) | 1-B | UGN-6 | Die-Cast Wing Nut w/Washer |
| 4 | KB-610W | Key Bolt w/Washers | 1-C | SC-169 | Clamp Bolt |
| 5 | UGN-8L | Die-Cast Wing Nut w/Washer | 2 | UGB-815 | Die-Cast Wing Bolt |
| | | | 3 | KB-625 | Key Bolt |

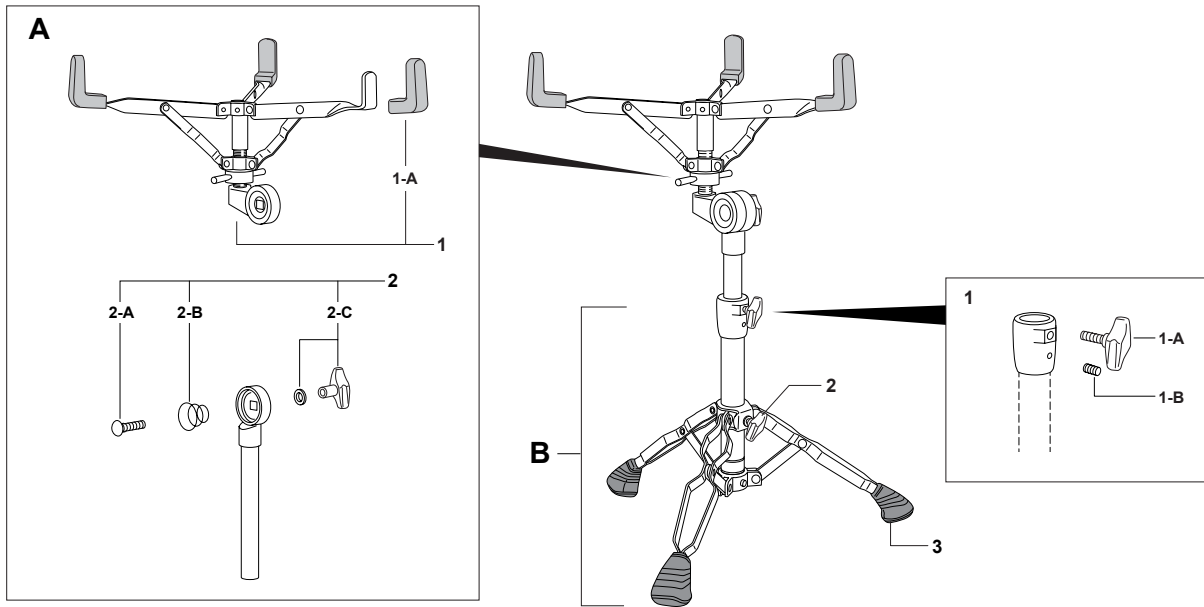
S-1000



- | | | | | | |
|----------|---------------|----------------------------|----------|---------------|-------------------------------|
| A | S-100A | Basket Complete | B | S-100B | Base Assy. Complete |
| 1 | NP-358 | Rubber Sleeve (one each) | 1 | DJ-700 | Die-Cast Joint Assy. Complete |
| 2 | UGN-8L | Die-Cast Wing Nut w/Washer | 1-A | NP-366 | Nylon Bushing |
| | | | 1-B | UGN-6 | Die-Cast Wing Nut w/Washer |
| | | | 1-C | SC-169 | Clamp Bolt |
| | | | 2 | UGB-815 | Die-Cast Wing Bolt |
| | | | 3 | R-20N | Rubber Tip |

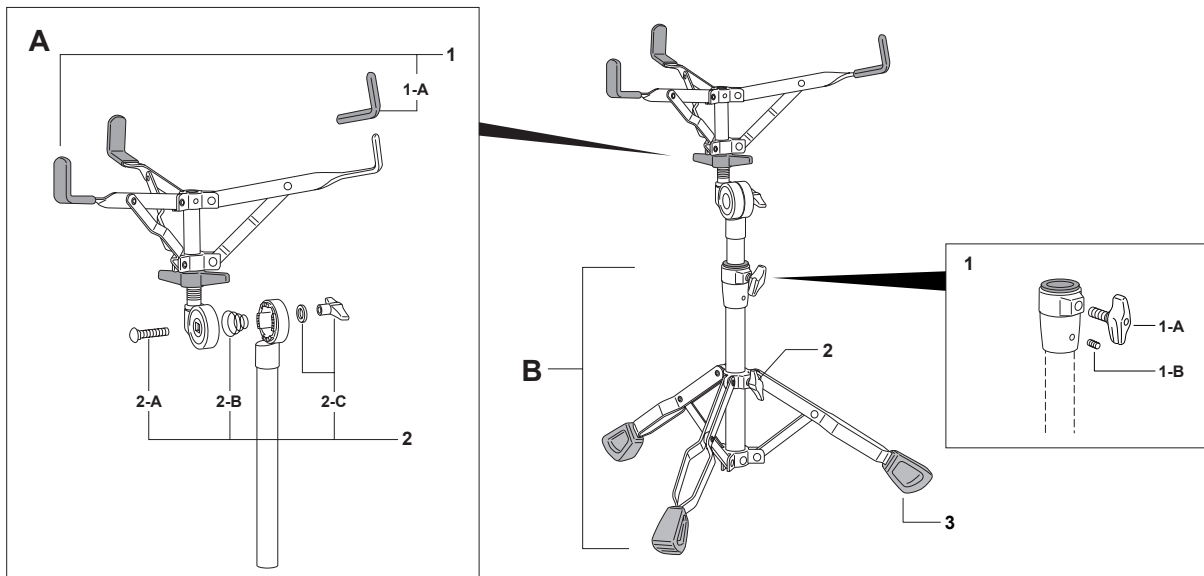
SNARE STANDS

S-800W



A	S-80AN	Basket Complete	B	S-80B	Base Assy. Complete
1	S-80AAN	Basket Assy. w/Rubber Sleeves	1	DJ-75A	Die-Cast Joint Complete
1-A	S-85C	Rubber Sleeve (one each)	1-A	UGB-815	Die-Cast Wing Bolt
2	SN-85A	Bolt & Nut Set w/Spring	1-B	SB-44	Allen Screw
2-A	SC-36B	Clamp Bolt	2	UGB-815	Die-Cast Wing Bolt
2-B	SP-27	Spring	3	R-20N	Rubber Tip
2-C	UGN-8	Die-Cast Wing Nut w/Washer			

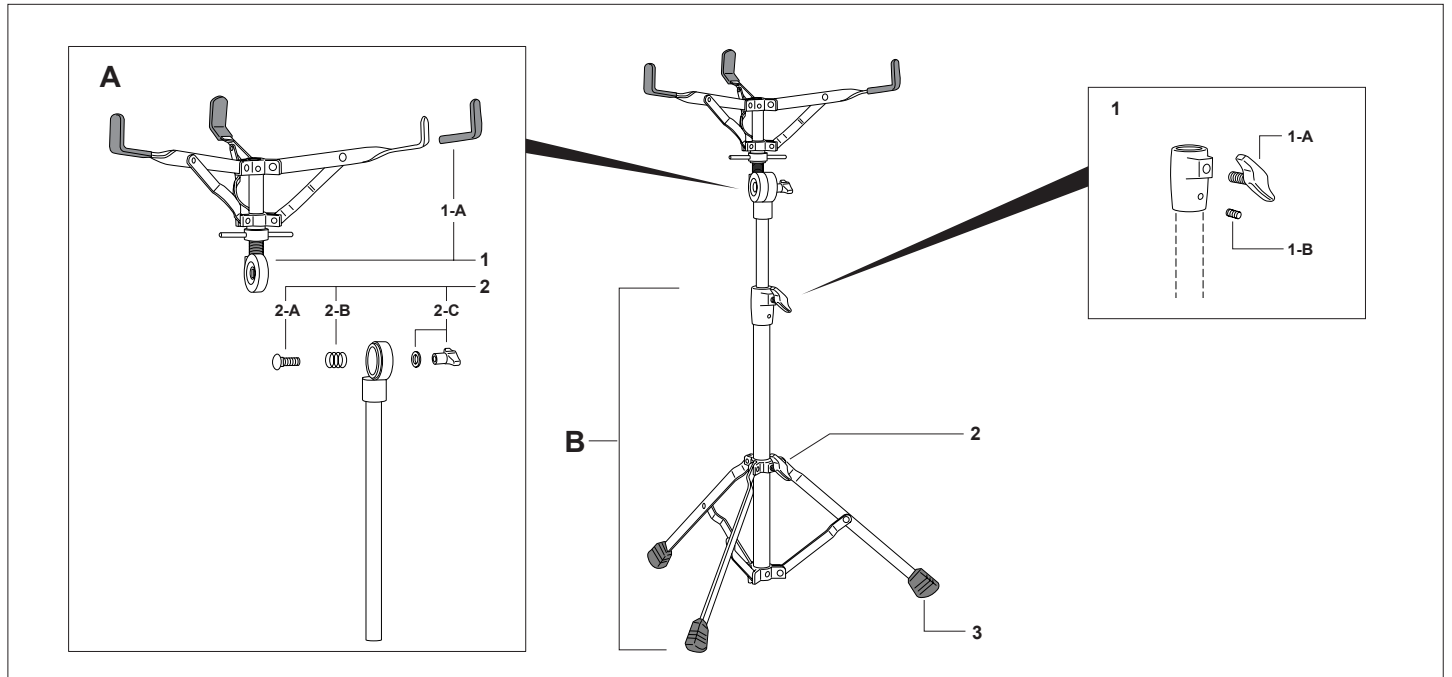
S-70W



A	S-07A	Basket Complete	B	PP-611A	Base Assy. Complete
1	S-07AA	Basket Assy. w/Rubber Sleeves	1	DJ-07A	Die-Cast Joint Complete
1-A	S-75C	Rubber Sleeve (one each)	1-A	UGB-815	Die-Cast Wing Bolt
2	SN-85A	Bolt & Nut Set w/Spring	1-B	SB-44	Allen Screw
2-A	SC-36B	Clamp Bolt	2	UGB-815	Die-Cast Wing Bolt
2-B	SP-27	Spring	3	NP-604	Rubber Tip
2-C	UGN-8	Die-Cast Wing Nut w/Washer			

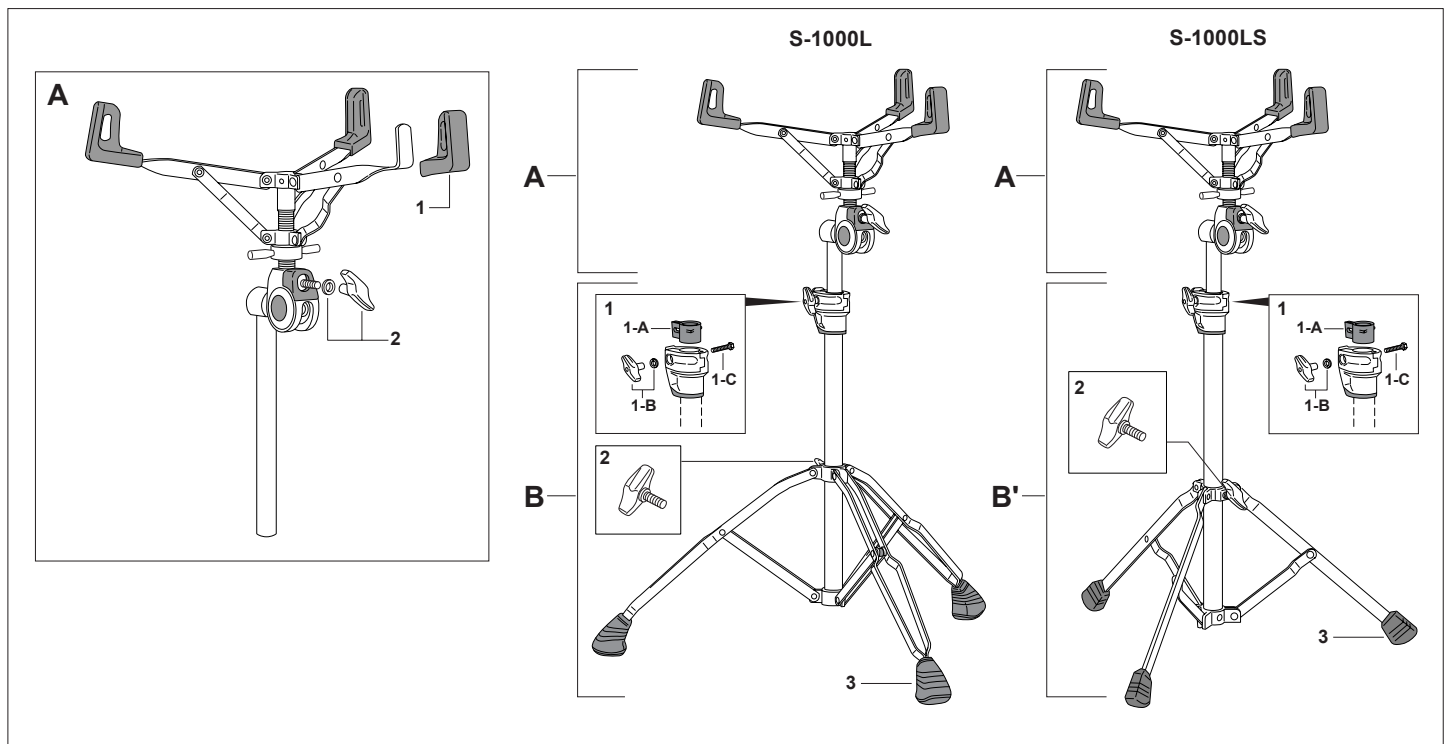
SNARE STANDS

S-700L



A	S-70A	Basket Complete	B	S-70BL	Base Assy. Complete
1	S-70AA	Basket Assy. w/Rubber Sleeves	1	DJ-55A	Die-Cast Joint Complete
1-A	S-75C	Rubber Sleeve (one each)	1-A	UGB-815	Die-Cast Wing Bolt
2	SN-70A	Bolt & Nut Set w/Spring	1-B	SB-44	Allen Screw
2-A	SC-33	Clamp Bolt	2	UGB-815	Die-Cast Wing Bolt
2-B	SP-17	Spring	3	NP-12	Rubber Tip
2-C	UGN-8	Die-Cast Wing Nut w/Washer			

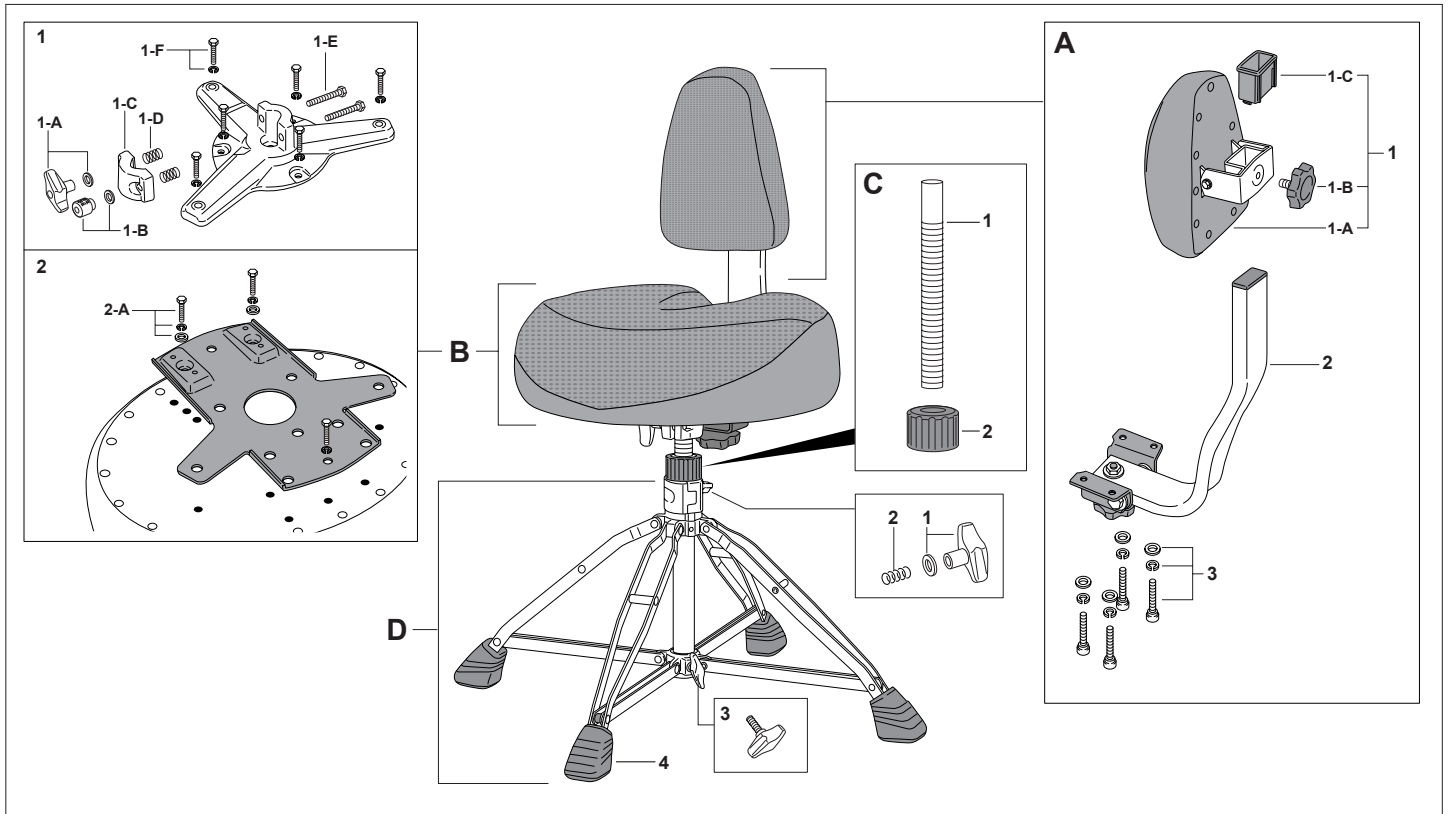
S-1000L / 1000LS



A	S-100A	Basket Complete	B	BA-100BW	Base Assy. Complete (S-1000L)	B'	BA-100BS	Base Assy. Complete (S-1000LS)
1	NP-358	Rubber Sleeve (one each)	1	DJ-700	Die-Cast Joint Assy. Complete	1	DJ-700	Die-Cast Joint Assy. Complete
2	UGN-8L	Die-Cast Wing Nut w/Washer	1-A	NP-366	Nylon Bushing	1-A	NP-366	Nylon Bushing
			1-B	UGN-6	Die-Cast Wing Nut w/Washer	1-B	UGN-6	Die-Cast Wing Nut w/Washer
			1-C	SC-169	Clamp Bolt	1-C	SC-169	Clamp Bolt
			2	UGB-815	Die-Cast Wing Bolt	2	UGB-815	Die-Cast Wing Bolt
			3	R-22N	Rubber Tip	3	R-10	Rubber Tip

DRUM THRONES

D-2000BR/2000

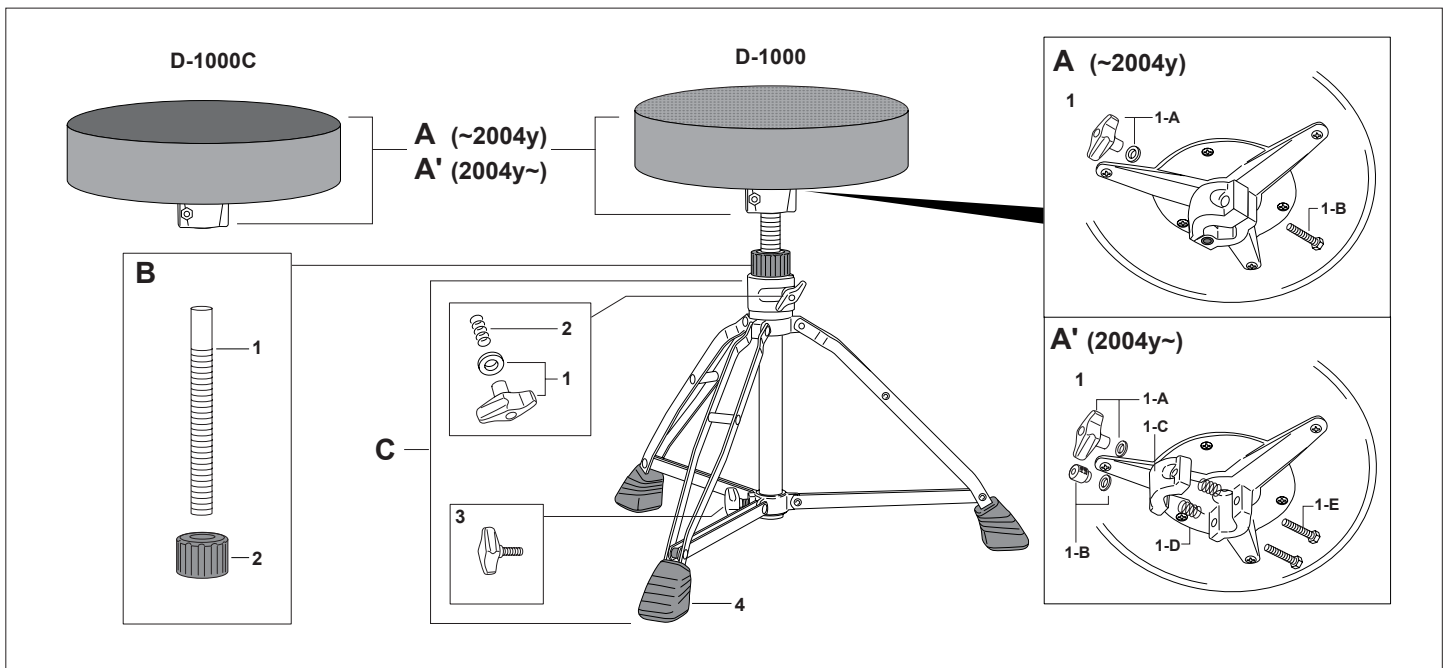


- A BR-2000A Back Rest Only for Drummer's Throne**
 1 NP-423BB Back Rest Cushion Assy, Complete
 1-A NP-423BA Back Rest Cushion ONLY
 1-B NP-390 Knob Bolt
 1-C NP-393 Plastic Sleeve
 2 PP-201A Back Rest Post
 3 SC-119A Bolt, Washer and Lock Washer (one set)

- B SE-200A Seat Top ONLY for D-2000BR**
 1 DC-644A Rod Bracket Assy. Complete
 1-A UGN-8 Die-Cast Wing Nut w/Washer
 1-B M-8RN Knurled Round Nut w/Washer
 1-C DC-645 Die-Cast Clamp
 1-D SP-45 Spring (one each)
 1-E SC-121 Clamp Bolt (one each)
 1-F SC-379A Hex Head Bolt w/Washer (one set)
 2 PR-651A Back Rest Attachment Plate
 2-A SC-379B Bolt, Washer and Lock Washer (one set)

- C ME-571A Height Adjustment Clamp. Complete**
 1 ME-571 Threaded Post
 2 ME-583 Lock Nut
D D-200A Base Assy. Complete
 1 UGN-8 Die-Cast Wing Nut w/Washer
 2 SP-26 Spring
 3 UGB-815 Die-Cast Wing Bolt
 4 R-26N Rubber Tip

D-1000/1000C



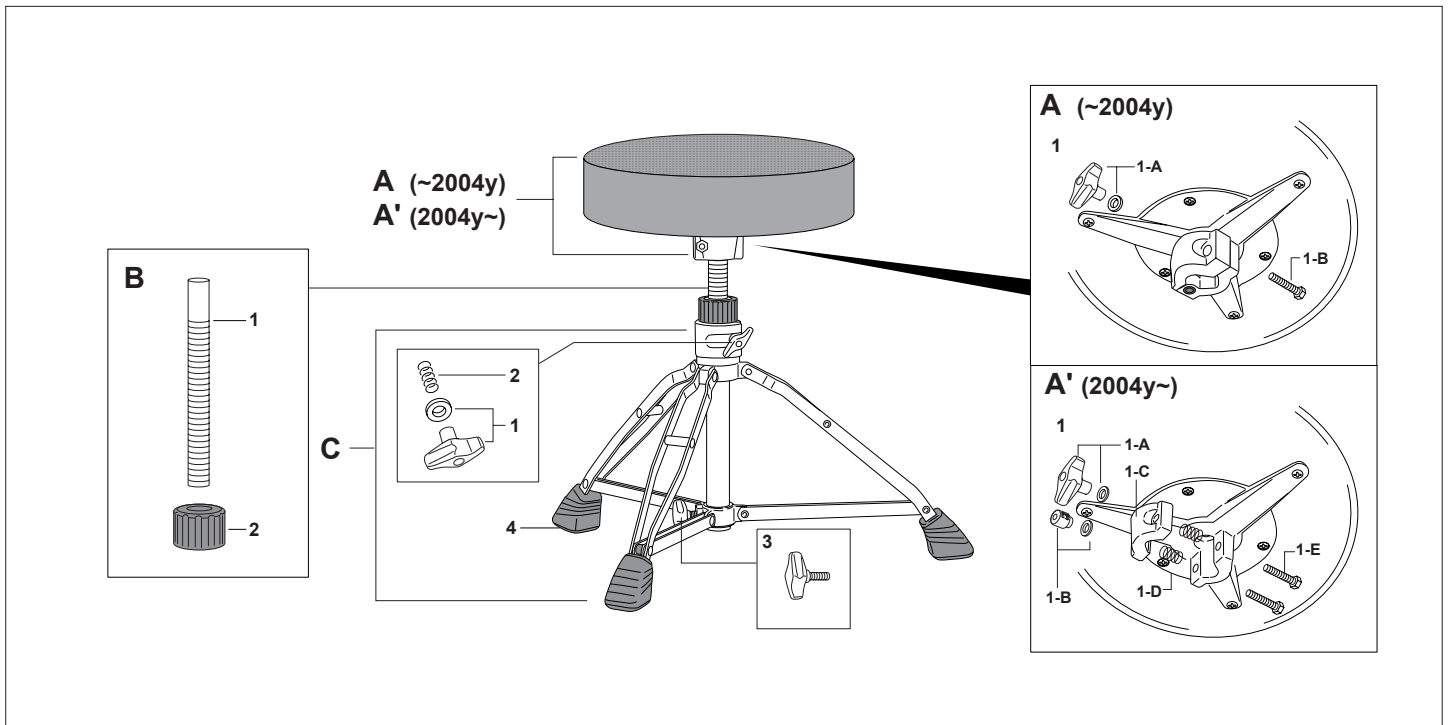
- A SE-100A SEAT TOP ONLY (D-1000 ~2004/10)**
A SE-100CA SEAT TOP ONLY (D-1000C ~2004/10)
 1 DC-486A Rod Bracket Assy. Complete (~2004/11)
 1-A UGN-8 Die-Cast Wing Nut w/Washer
 1-B HX-845 Clamp Bolt

- A' SE-100NA SEAT TOP ONLY (D-1000 2004/11~)**
A' SE-100CNA SEAT TOP ONLY (D-1000C 2004/11~)
 1 DC-486NA Rod Bracket Assy. Complete
 1-A UGN-8 Die-Cast Wing Nut w/Washer
 1-B M-8RN Knurled Round Nut w/Washer
 1-C DC-645 Die-Cast Clamp
 1-D SP-45 Spring (one each)
 1-E SC-121 Clamp Bolt (one each)

- B ME-571A Height Adjustment Post. Complete**
 1 ME-571 Threaded Post
 2 ME-583 Lock Nut
C D-100A Base Assy. Complete
 1 UGN-8 Die-Cast Wing Nut w/Washer
 2 SP-26 Spring
 3 UGB-815 Die-Cast Wing Bolt
 4 R-26N Rubber Tip

DRUM THRONES

D-1000S

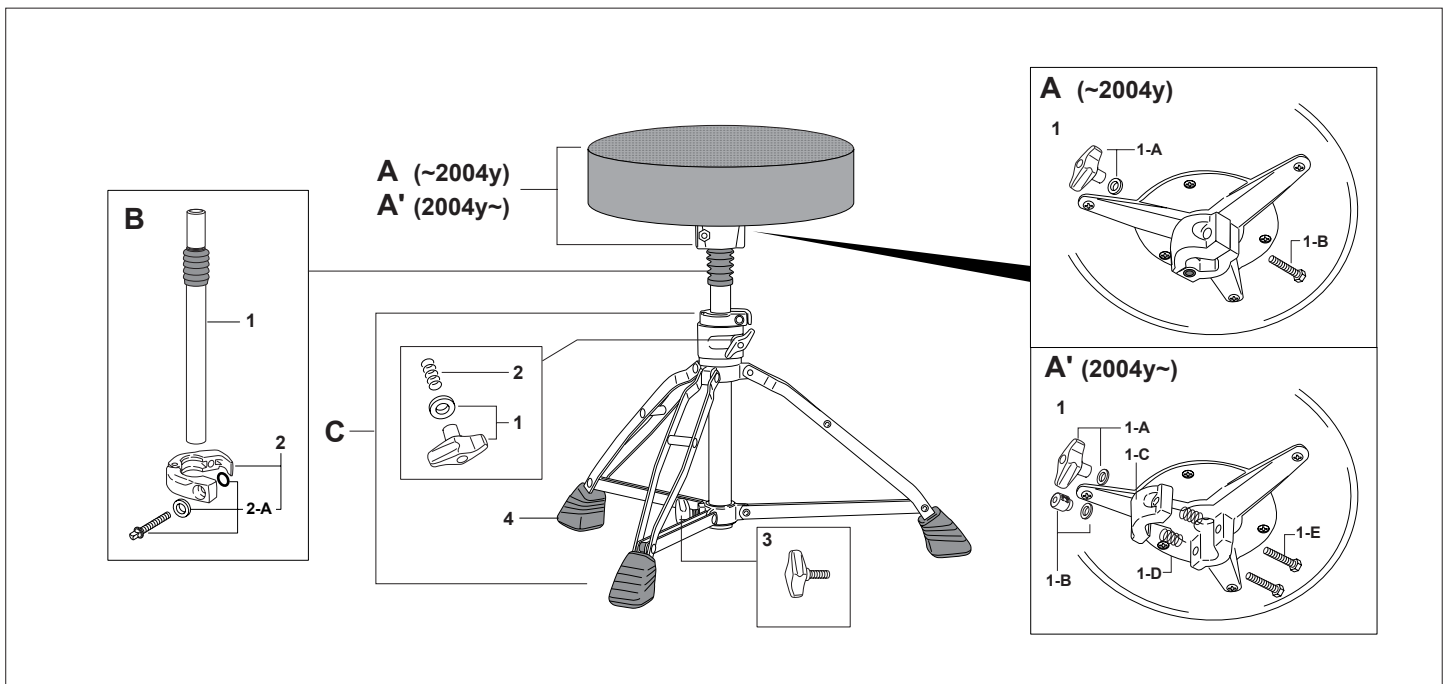


A SE-100A Seat Top ONLY (~2004/11)
 1 DC-486A Rod Bracket Assy. Complete (~2004/11)
 1-A UGN-8 Die-Cast Wing Nut w/Washer
 1-B HX-845 Clamp Bolt

A' SE-100NA Seat Top ONLY (2004/11~)
 1 DC-486NA Rod Bracket Assy. Complete (2004/11~)
 1-A UGN-8 Die-Cast Wing Nut w/Washer
 1-B M-8RN Knurled Round Nut w/Washer
 1-C DC-645 Die-Cast Clamp
 1-D SP-45 Spring (one each)
 1-E SC-121 Clamp Bolt (one each)

B ME-571A Height Adjustment Post, Complete
 1 ME-571 Threaded Post
 2 ME-583 Lock Nut
C D-100SA Base Assy. Complete
 1 UGN-8 Die-Cast Wing Nut w/Washer
 2 SP-26 Spring
 3 UGB-815 Die-Cast Wing Bolt
 4 R-26N Rubber Tip

D-1000SP



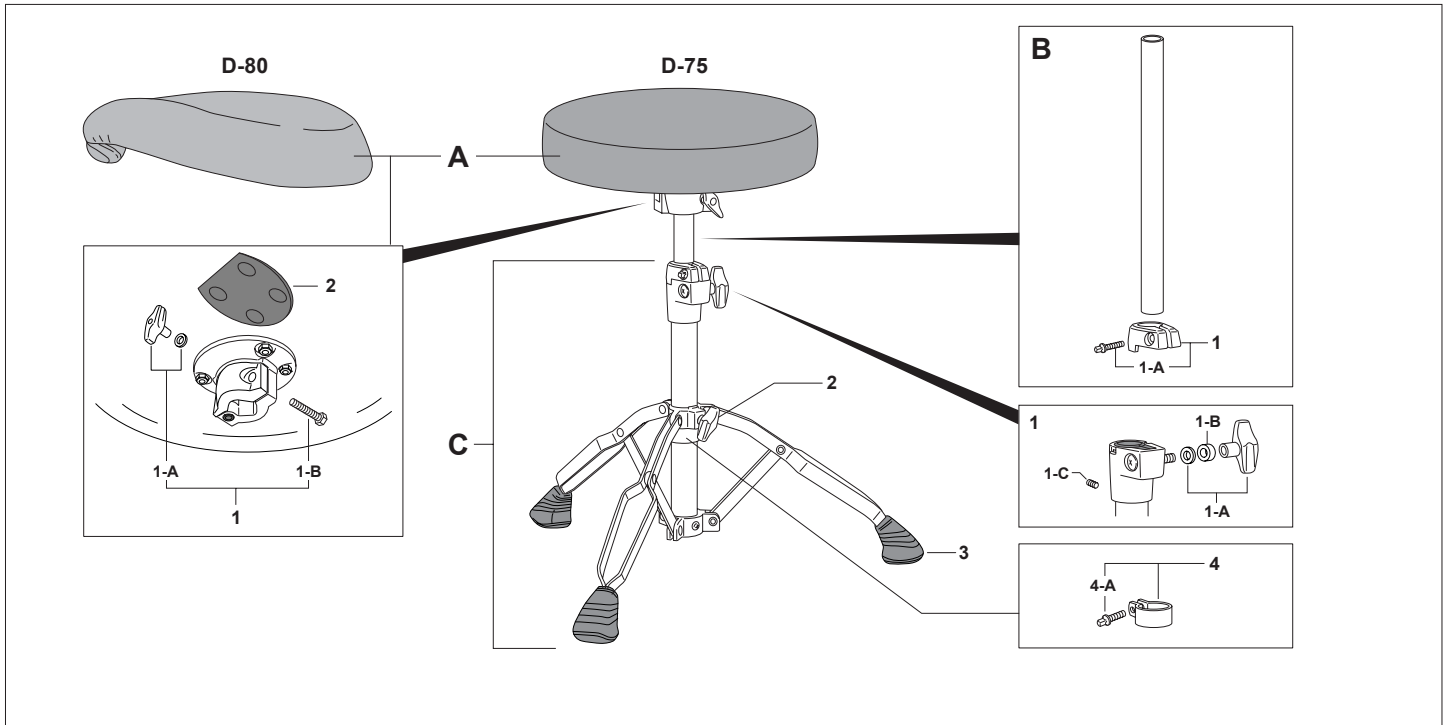
A SE-100A Seat Top ONLY (~2004/11)
 1 DC-486A Hinged Rod Bracket Assy. Complete (~2004/11)
 1-A UGN-8 Die-Cast Wing Nut w/Washer
 1-B HX-845 Clamp Bolt

A' SE-100NA Seat Top ONLY (2004/11~)
 1 DC-486NA Rod Bracket Assy. Complete (2004/11~)
 1-A UGN-8 Die-Cast Wing Nut w/Washer
 1-B M-8RN Knurled Round Nut w/Washer
 1-C DC-645 Die-Cast Clamp
 1-D SP-45 Spring (one each)
 1-E SC-121 Clamp Bolt (one each)

B SP-75A Shock Absorber Post, Complete
 1 SP-75 Shock Absorber Post ONLY
 2 DC-580A Stop Lock Complete
 2-A KB-630A Keybolt w/Washer
C D-100SPA Base Assy. Complete
 1 UGN-8 Die-Cast Wing Nut w/Washer
 2 SP-26 Spring
 3 UGB-815 Die-Cast Wing Bolt
 4 R-26N Rubber Tip (one each)

DRUM THRONES

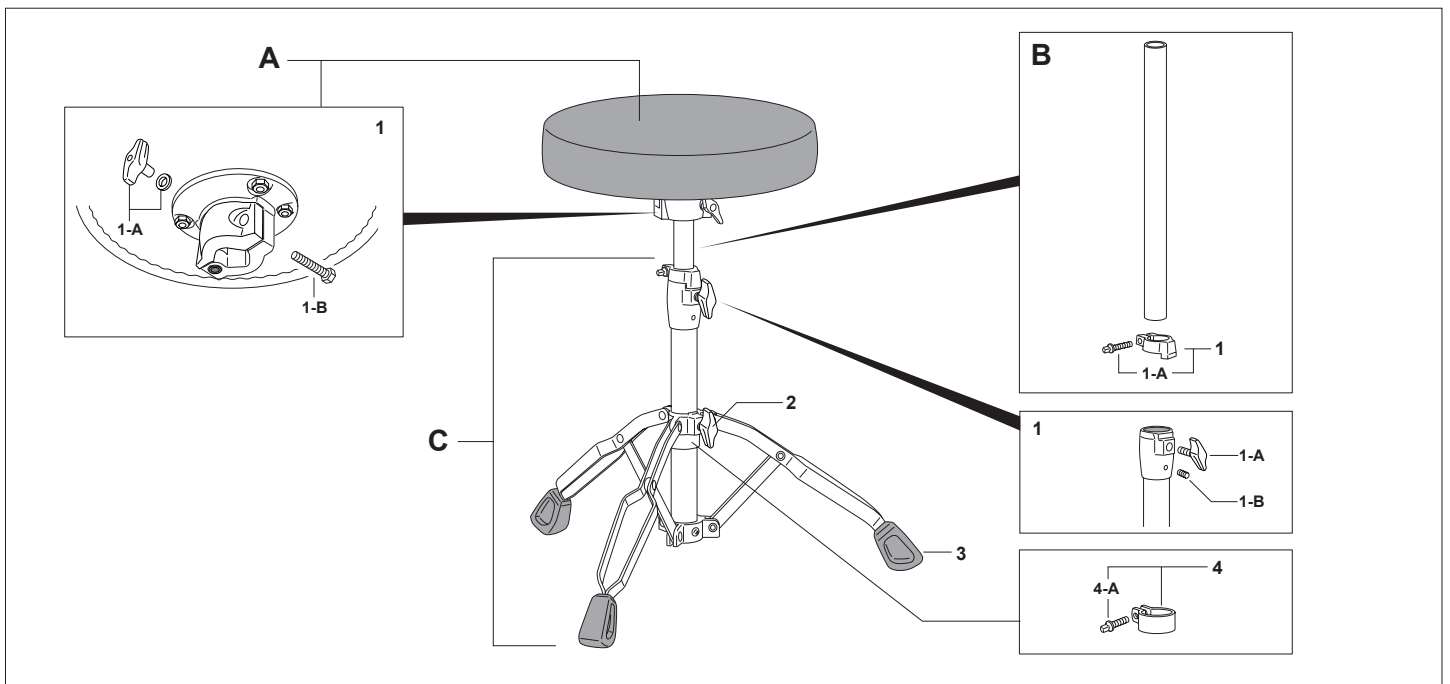
D-80/75



- A NP-274 Padded Bike Style Seat (D-80)**
NP-88N Padded Vinyl Seat (D-75)
 1 DC-498A Rod Bracket Assy. Complete
 1-A UGB-8 Die-Cast Wing Nut w/Washer
 1-B HX-835 Clamp Bolt
 2 NP-279 Bracket Spacer (D-80)
- B PP-94A Height Adjustment Rod Assy. Complete**
 1 DC-551A Stop Lock, Complete
 1-A KB-630 Key Bolt

- C D-75AN Base Assy. Complete**
 1 DC-550A Die-Cast Joint Assy. Complete
 1-A UGN-8 Die-Cast Wing Nut w/Washer
 1-B ME-661 Spacer
 1-C SC-116 Allen Screw
 2 UGB-815 Die-Cast Wing Bolt
 3 R-20N Rubber Tip
 4 SX-7 Stop Lock, Complete
 4-A SC-40 Key Bolt

D-70W

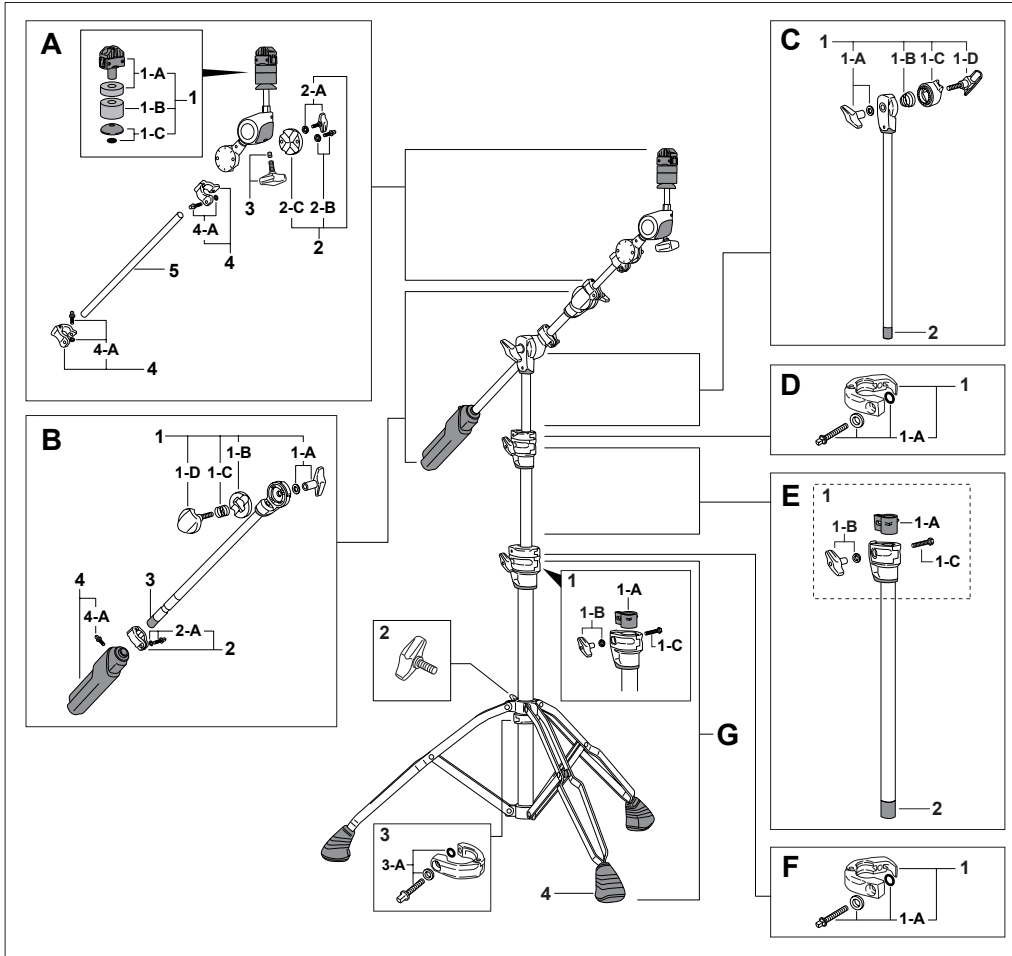


- A NP-609 Padded Vinyl Seat**
 1 DC-498A Rod Bracket Assy. Complete
 1-A UGN-8 Die-Cast Wing Nut w/Washer
 1-B HX-835 Clamp Bolt
- B PP-610A Height Adjustment Rod Assy. Complete**
 1 SX-07 Stop Lock, Complete
 1-A SC-60 Key Bolt

- C PP-609A Base Assy. Complete**
 1 DJ-08A Die-Cast Joint Assy. Complete
 1-A UGB-815 Die-Cast Wing Bolt
 1-B SB-44 Allen Screw
 2 UGB-815 Die-Cast Wing Bolt
 3 NP-604 Rubber Tip
 4 SX-7 Stop Lock, Complete
 4-A SC-40 Key Bolt

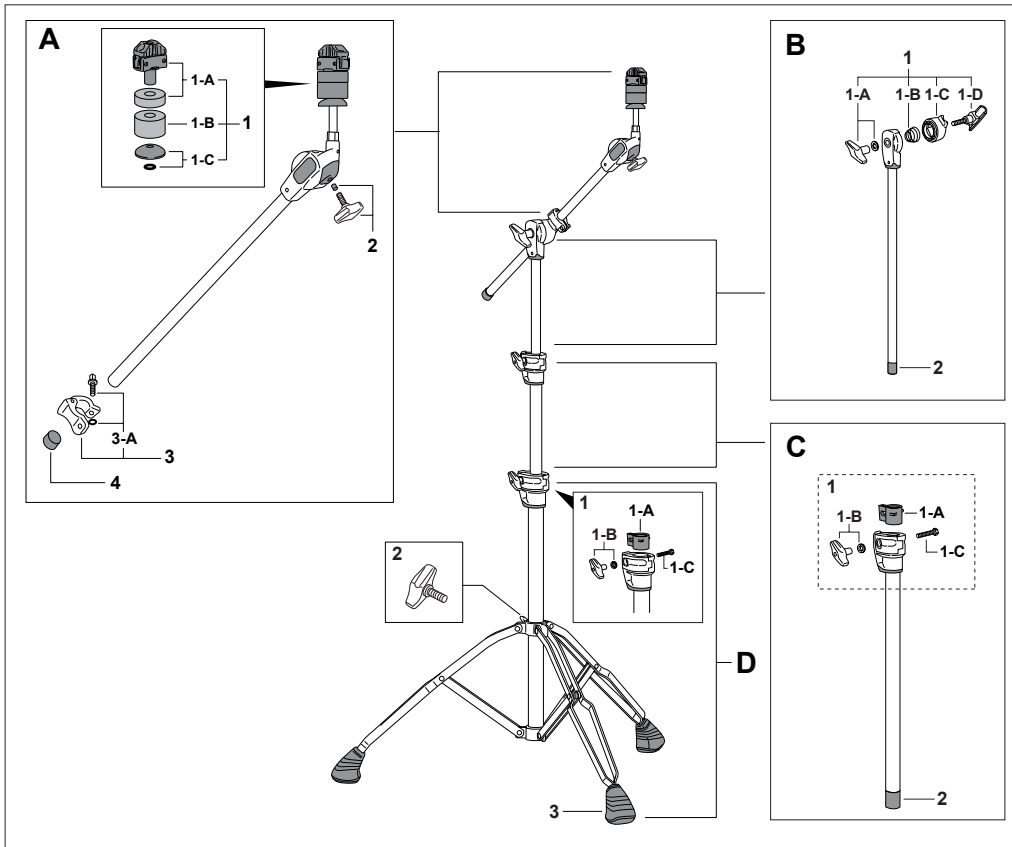
CYMBAL BOOM STANDS

BC-2000



- | | | |
|----------|-----------------|---------------------------------------|
| A | B-200A | Upper Boom Assy. Complete |
| 1 | WL-200A | WingLoc Assy. Complete |
| 1-A | WL-200 | WingLoc Quick Release Wing Nut w/Felt |
| 1-B | FL-90 | Felt (one each) |
| 1-C | RC-20 | Reversible Seat Cup w/O-Ring |
| 2 | DC-633A | Clamp Assy. Complete |
| 2-A | UGB-620 | Die-Cast Wing Bolt w/Washer |
| 2-B | KB-620W | Key Bolt w/Washer |
| 2-C | DC-633 | Clamp Plate |
| 3 | UGB-820P | Die-Cast Wing Bolt w/Pin |
| 4 | DC-627A | Stop Lock, Complete |
| 4-A | KB-615WO | Key Bolt w/Washer |
| 5 | ME-651 | Knurled Boom Arm |
| B | B-200B | Lower Boom Assy. Complete |
| 1 | BC-200A | Boom Clamp Assy. Complete |
| 1-A | UGN-8 | Die-Cast Wing Nut w/Washer |
| 1-B | DC-630 | Clamp Gear Link |
| 1-C | SP-032 | Spring |
| 1-D | DC-595A | Boom Clamp Bolt |
| 2 | DC-625A | Stop Lock Complete |
| 2-A | KB-615WO | Key Bolt w/Washer |
| 3 | NP-430 | Rubber Tip |
| 4 | NP-373A | Boom Arm Counterweight |
| 4-A | KB-615 | Key Bolt |
| C | TU-100A | Upper Tube Assy. Complete |
| 1 | BC-100A | Boom Clamp Assy. Complete |
| 1-A | UGN-8L | Die-Cast Wing Nut w/Washer |
| 1-B | SP-27N | Spring |
| 1-C | DC-594 | Clamp Gear Link |
| 1-D | DC-596A | Boom Clamp Bolt |
| 2 | NP-375 | Plastic Tip |
| D | DC-578A | Stop Lock Complete |
| 1 | KB-625WO | Key Bolt w/Washer |
| E | CP-100A | Center Tube Assy. Complete |
| 1 | DJ-500 | Die-Cast Joint Assy. Complete |
| 1-A | NP-367 | Nylon Bushing |
| 1-B | UGN-6 | Die-Cast Wing Nut w/Washer |
| 1-C | SC-169 | Clamp Bolt |
| 2 | NP-376 | Plastic Tip |
| F | DC-576A | Stop Lock Complete |
| 1 | KB-625WO | Key Bolt w/Washer |
| G | BA-200BW | Base Assy. Complete |
| 1 | DJ-700 | Die-Cast Joint Assy. Complete |
| 1-A | NP-366 | Nylon Bushing |
| 1-B | UGN-6 | Die-Cast Wing Nut w/Washer |
| 1-C | SC-169 | Clamp Bolt |
| 2 | UGB-815 | Die-Cast Wing Bolt |
| 3 | DC-582A | Stop Lock Complete |
| 3-A | KB-625WO | Key Bolt w/Washer |
| 4 | R-22N | Rubber Tip |

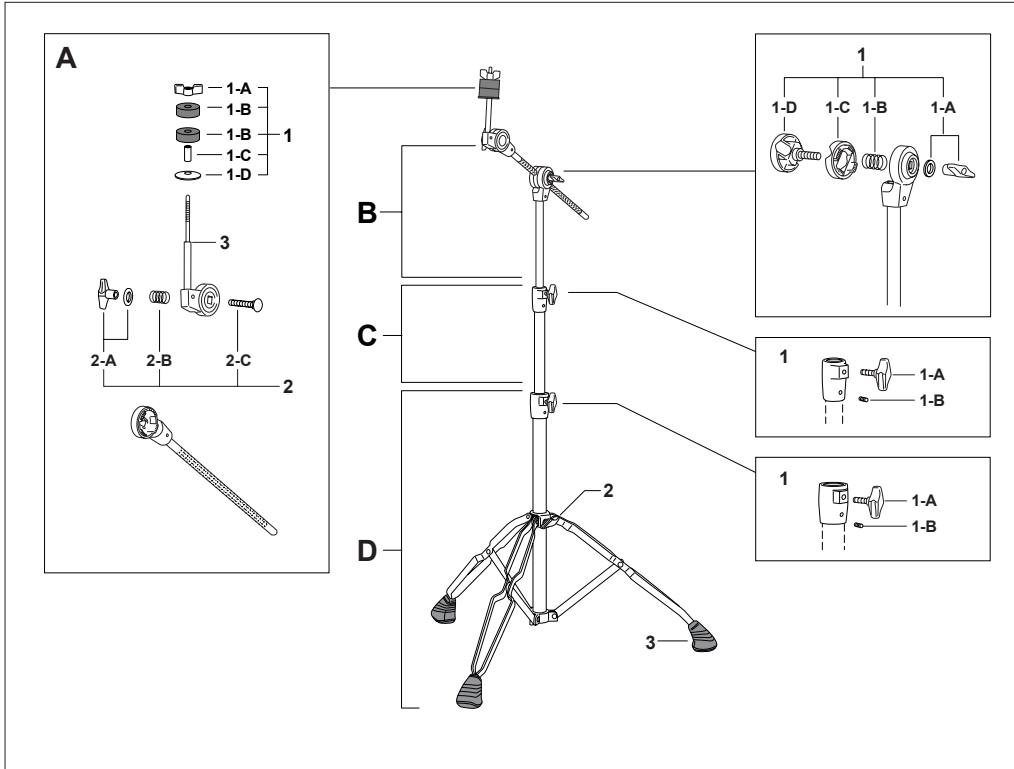
B-1000



- | | | |
|----------|-----------------|---------------------------------------|
| A | B-100A | Boom Assy. Complete |
| 1 | WL-200A | WingLoc Assy. Complete |
| 1-A | WL-200 | WingLoc Quick Release Wing Nut w/Felt |
| 1-B | FL-90 | Felt (one each) |
| 1-C | RC-20 | Reversible Seat Cup w/O-Ring |
| 2 | UGB-815P | Die-Cast Wing Bolt w/Pin |
| 3 | DC-625A | Stop Lock, Complete |
| 3-A | KB-615WO | Key Bolt |
| 4 | NP-71 | Rubber Tip |
| B | TU-100A | Upper Tube Assy. Complete |
| 1 | BC-100A | Boom Clamp Assy. Complete |
| 1-A | UGN-8L | Die-Cast Wing Nut w/Washer |
| 1-B | SP-27N | Spring |
| 1-C | DC-594 | Clamp Gear Link |
| 1-D | DC-596A | Boom Clamp Bolt |
| 2 | NP-375 | Plastic Tip |
| C | CP-100A | Center Tube Assy. Complete |
| 1 | DJ-500 | Die-Cast Joint Assy. Complete |
| 1-A | NP-367 | Nylon Bushing |
| 1-B | UGN-6 | Die-Cast Wing Nut w/Washer |
| 1-C | SC-169 | Clamp Bolt |
| 2 | NP-376 | Plastic Tip |
| D | BA-100BW | Base Assy. Complete |
| 1 | DJ-700 | Die-Cast Joint Assy. Complete |
| 1-A | NP-366 | Nylon Bushing |
| 1-B | UGN-6 | Die-Cast Wing Nut w/Washer |
| 1-C | SC-169 | Clamp Bolt |
| 2 | UGB-815 | Die-Cast Wing Bolt |
| 3 | R-22N | Rubber Tip |

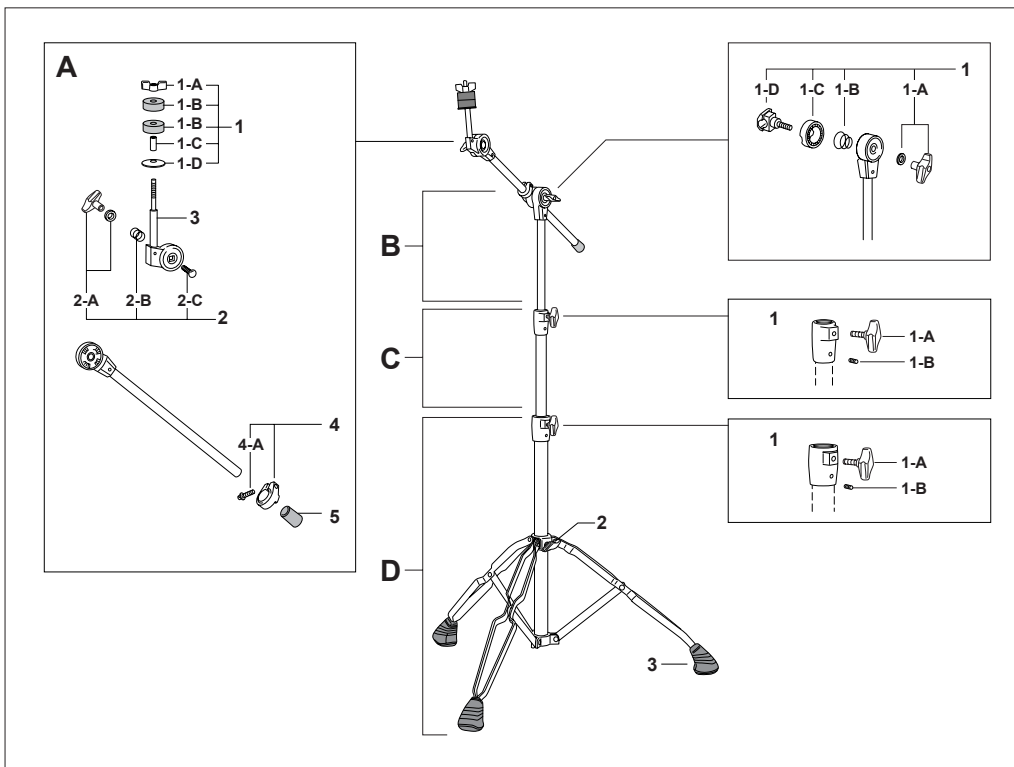
CYMBAL BOOM STANDS

BC-800W



- A ME-521AC Boom Arm Assy. Complete**
- 1 FL-80AN Upper Tilter Section Complete
 - 1-A M-8W Die-Cast Wing Nut
 - 1-B FE-32 Felt Washer
 - 1-C NP-70 Plastic Sleeve
 - 1-D PR-135 Cup Washer
 - 2 SN-800A Bolt & Nut Set w/Spring
 - 2-A UGN-8 Die-Cast Wing Nut w/Washer
 - 2-B SP-032 Spring
 - 2-C SC-36B Clamp Bolt
 - 3 SN-800N Tilter Unit
- B TU-80BC Upper Tube Assy. Complete**
- 1 BC-80BC Boom Clamp Assy. Complete
 - 1-A UGN-8 Die-Cast Wing Nut w/Washer
 - 1-B SP-032 Spring
 - 1-C DC-530 Clamp Gear Link
 - 1-D DC-529A Boom Clamp Bolt
- C PP-149BA Center Tube Assy. Complete**
- 1 DJ-55A Die-Cast Joint Assy. Complete
 - 1-A UGB-815 Die-Cast Wing Bolt
 - 1-B SB-44 Allen Screw
- D BA-800BW Base Assy. Complete**
- 1 DJ-75A Die-Cast Joint Assy. Complete
 - 1-A UGB-815 Die-Cast Wing Bolt
 - 1-B SB-44 Allen Screw
 - 2 UGB-815 Die-Cast Wing Bolt
 - 3 R-22 Rubber Tip

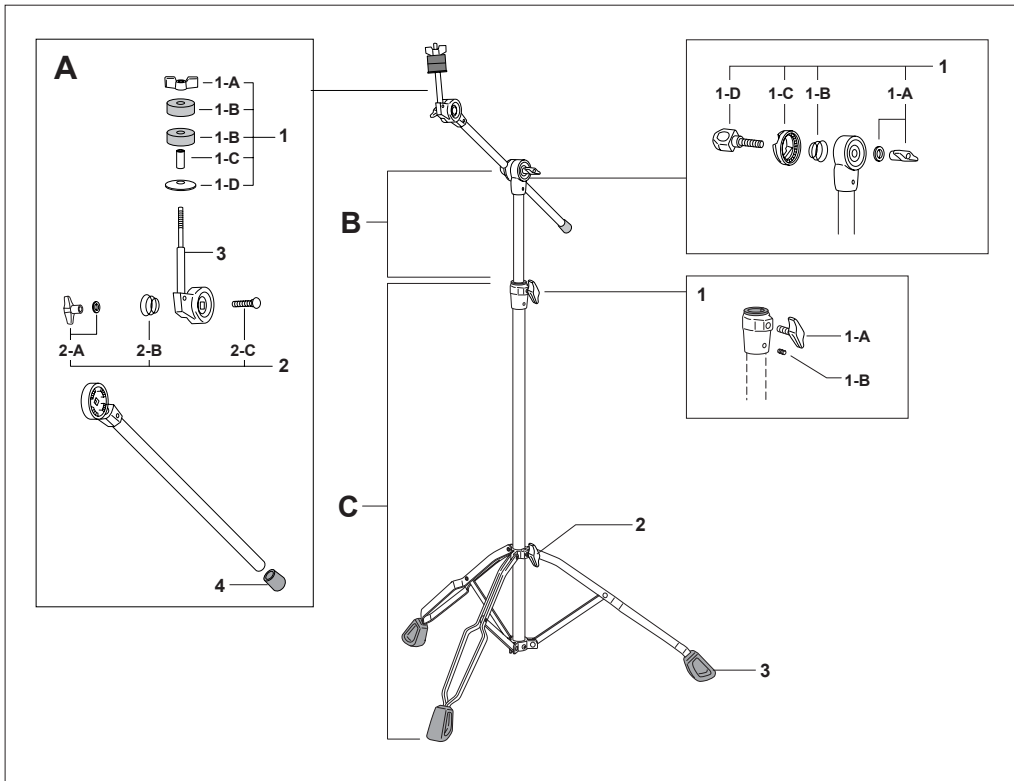
B-800W



- A PP-169ACN Boom Arm Assy. Complete**
- 1 FL-80AN Upper Tilter Section Complete
 - 1-A M-8W Die-Cast Wing Nut
 - 1-B FE-32 Felt Washer
 - 1-C NP-70 Plastic Sleeve
 - 1-D PR-135 Cup Washer
 - 2 SN-800A Bolt & Nut Set w/Spring
 - 2-A UGN-8 Die-Cast Wing Nut w/Washer
 - 2-B SP-032 Spring
 - 2-C SC-36B Clamp Bolt
 - 3 SN-800N Tilter Unit
 - 4 SX-8 Stop Lock. Complete
 - 4-A KB-625 Key Bolt
 - 5 NP-71 Plastic Tip
- B TU-800A Upper Tube Assy. Complete**
- 1 BC-800A Boom Clamp Assy. Complete
 - 1-A UGN-8 Die-Cast Wing Nut w/Washer
 - 1-B SP-27N Spring
 - 1-C DC-371 Clamp Gear Link
 - 1-D BTL-85N Boom Clamp Bolt
- C PP-149BA Center Tube Assy. Complete**
- 1 DJ-55A Die-Cast Joint Assy. Complete
 - 1-A UGB-815 Die-Cast Wing Bolt
 - 1-B SB-44 Allen Screw
- D BA-800BW Base Assy. Complete**
- 1 DJ-75A Die-Cast Joint Assy. Complete
 - 1-A UGB-815 Die-Cast Wing Bolt
 - 1-B SB-44 Allen Screw
 - 2 UGB-815 Die-Cast Wing Bolt
 - 3 R-22 Rubber Tip

CYMBAL BOOM STANDS

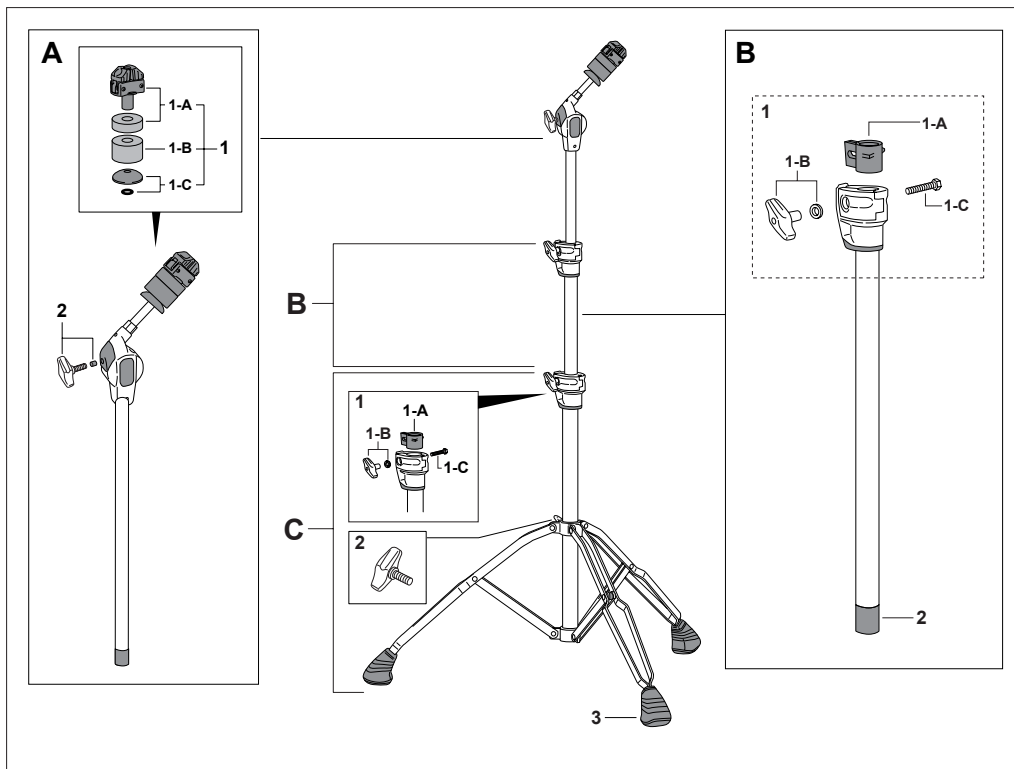
B-70W



- A PP-605A Boom Arm Assy. Complete**
 1 FL-80AN Upper Tilter Section Complete
 1-A M-8W Die-Cast Wing Nut
 1-B FE-32 Felt Washer
 1-C NP-70 Plastic Sleeve
 1-D PR-135 Cup Washer
 2 SN-800A Bolt & Nut Set w/Spring
 2-A UGN-8 Die-Cast Wing Nut w/Washer
 2-B SP-27N Spring
 2-C SC-36B Clamp Bolt
 3 SN-800N Tilter Unit
 4 NP-71 Plastic Tip
- B PP-604A Upper Tube Assy. Complete**
 1 BC-07A Boom Clamp Assy. Complete
 1-A UGN-8 Die-Cast Wing Nut w/Washer
 1-B SP-27N Spring
 1-C DC-606A Clamp Gear Link
 1-D DC-607A Boom Clamp Bolt
- C PP-603A Base Assy. Complete**
 1 DJ-07A Die-Cast Joint Assy. Complete
 1-A UGB-815 Die-Cast Wing Bolt
 1-B SB-44 Allen Screw
 2 UGB-820 Die-Cast Wing Bolt
 3 NP-604 Rubber Tips

CYMBAL STANDS

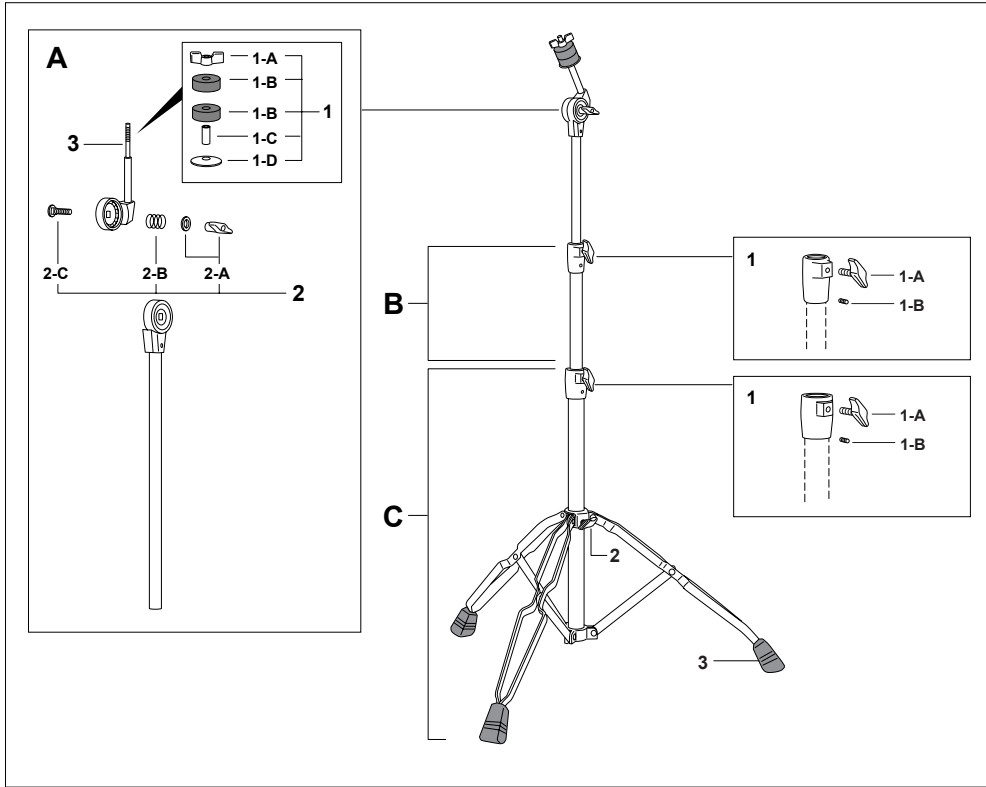
C-1000



- A C-100A Upper Tube Assy. Complete**
 1 WL-200A WingLoc Assy. Complete
 1-A WL-200 WingLoc Quick Release Wing Nut w/Felt
 1-B FL-90 Felt (one each)
 1-C RC-20 Reversible Seat Cup w/O-Ring
 2 UGB-815P Die-Cast Wing Bolt w/Pin
- B CP-100A Center Tube Assy. Complete**
 1 DJ-500 Die-Cast Joint Assy. Complete
 1-A NP-367 Nylon Bushing
 1-B UGN-6 Die-Cast Wing Nut w/Washer
 1-C SC-169 Clamp Bolt
 2 NP-376 Plastic Tip
- C BA-100BW Base Assy. Complete**
 1 DJ-700 Die-Cast Joint Assy. Complete
 1-A NP-366 Nylon Bushing
 1-B UGN-6 Die-Cast Wing Nut w/Washer
 1-C SC-169 Clamp Bolt
 2 UGB-815 Die-Cast Wing Bolt
 3 R-22N Rubber Tip

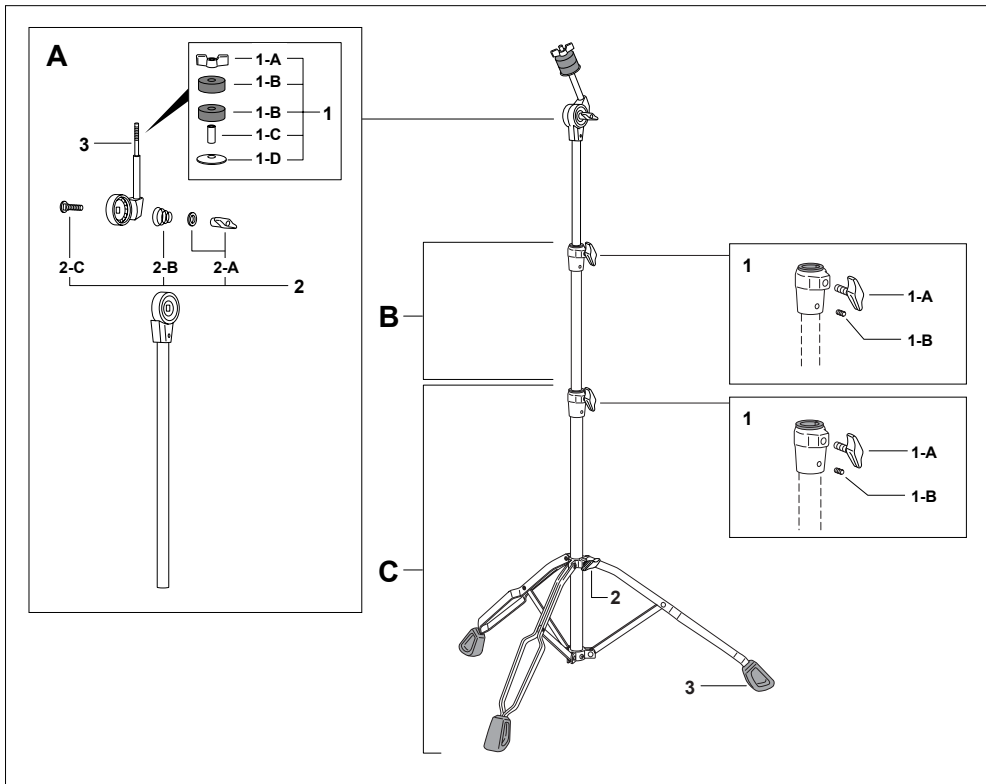
CYMBAL STANDS

C-800W



- A C-80AN Upper Tube Assy. Complete**
- 1 FL-80AN Upper Tilter Section Complete
 - 1-A M-8W Die-Cast Wing Nut
 - 1-B FE-32 Felt Washer
 - 1-C NP-70 Plastic Sleeve
 - 1-D PR-135 Cup Washer
 - 2 SN-800A Bolt & Nut Set w/Spring
 - 2-A UGN-8 Die-Cast Wing Nut w/Washer
 - 2-B SP-032 Spring
 - 2-C SC-36B Clamp Bolt
 - 3 SN-800N Tilter Unit
- B PP-149BA Center Tube Assy. Complete**
- 1 DJ-55A Die-Cast Joint Assy. Complete
 - 1-A UGB-815 Die-Cast Wing Bolt
 - 1-B SB-44 Allen Screw
- C BA-800BW Base Assy. Complete**
- 1 DJ-75A Die-Cast Joint Assy. Complete
 - 1-A UGB-815 Die-Cast Wing Bolt
 - 1-B SB-44 Allen Screw
 - 2 UGB-815 Die-Cast Wing Bolt
 - 3 R-22 Rubber Tip

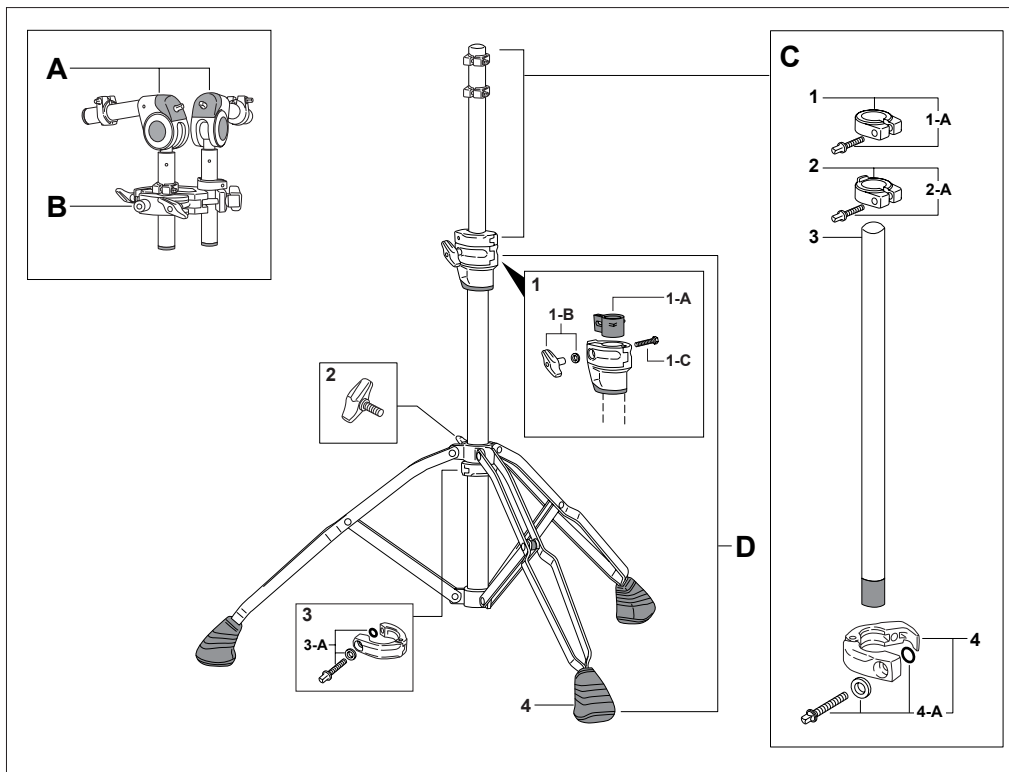
C-70W



- A PP-608A Upper Tube Assy. Complete**
- 1 FL-80AN Upper Tilter Section Complete
 - 1-A M-8W Die-Cast Wing Nut
 - 1-B FE-32 Felt Washer
 - 1-C NP-70 Plastic Sleeve
 - 1-D PR-135 Cup Washer
 - 2 SN-800A Bolt & Nut Set w/Spring
 - 2-A UGN-8 Die-Cast Wing Nut w/Washer
 - 2-B SP-27N Spring
 - 2-C SC-36B Clamp Bolt
 - 3 SN-800N Tilter Unit
- B PP-607A Center Tube Assy. Complete**
- 1 DJ-06A Die-Cast Joint Assy. Complete
 - 1-A UGB-815 Die-Cast Wing Bolt
 - 1-B SB-44 Allen Screw
- C PP-606A Base Assy. Complete**
- 1 DJ-07A Die-Cast Joint Assy. Complete
 - 1-A UGB-815 Die-Cast Wing Bolt
 - 1-B SB-44 Allen Screw
 - 2 UGB-815 Die-Cast Wing Bolt
 - 3 NP-604 Rubber Tip

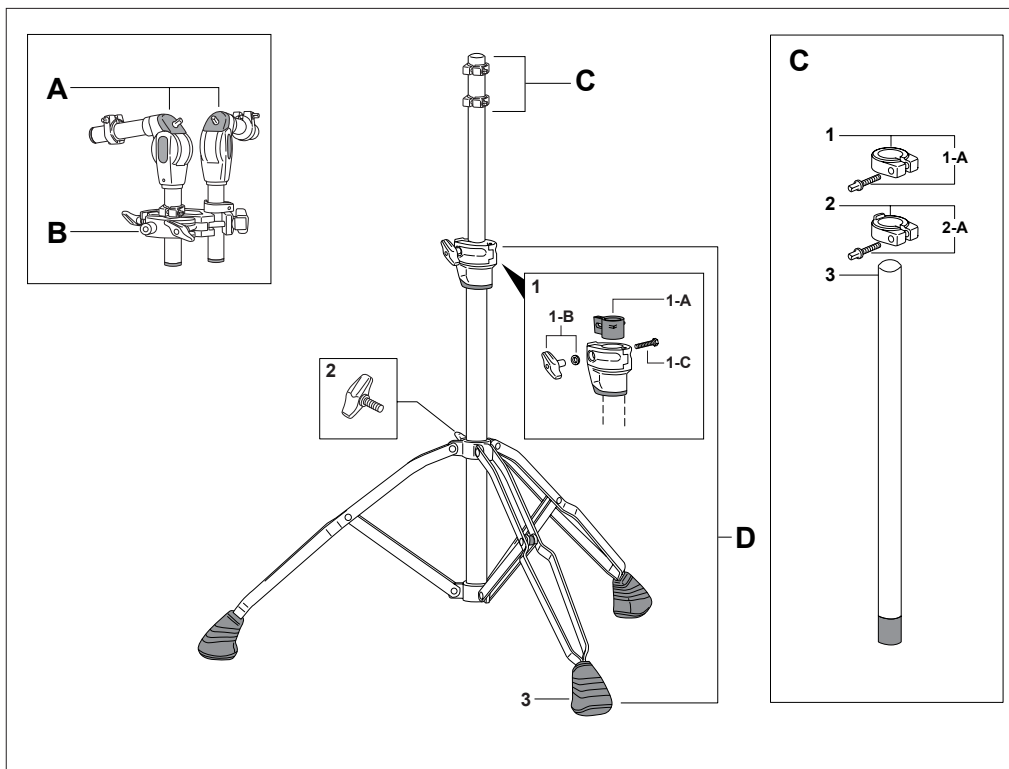
TOM STANDS

T-2000



- | | | |
|----------|-----------------|---|
| A | TH-2000S | Tom Holder/Short |
| B | AX-38 | Adapter - Please refer to the Adapter section. |
| C | T-80A | Upper Tube Assy. Complete |
| 1 | SX-2NS | Stop Lock, Complete |
| 1-A | KB-630 | Key Bolt |
| 2 | SX-2N | Stop Lock, Complete |
| 2-A | KB-630 | Key Bolt |
| 3 | TU-98T | Upper Tube ONLY |
| 4 | DC-576A | Stop Lock, Complete |
| 4-A | KB-625WO | Key Bolt w/Washer |
| D | BA-200BN | Base Assy. Complete |
| 1 | DJ-700 | Die-Cast Joint Assy. Complete |
| 1-A | NP-366 | Nylon Bushing |
| 1-B | UGN-6 | Die-Cast Wing Nut w/Washer |
| 1-C | SC-169 | Clamp Bolt |
| 2 | UGB-815 | Die-Cast Wing Bolt |
| 3 | DC-582A | Stop Lock Complete |
| 3-A | KB-625WO | Key Bolt w/Washer |
| 4 | R-22N | Rubber Tip |

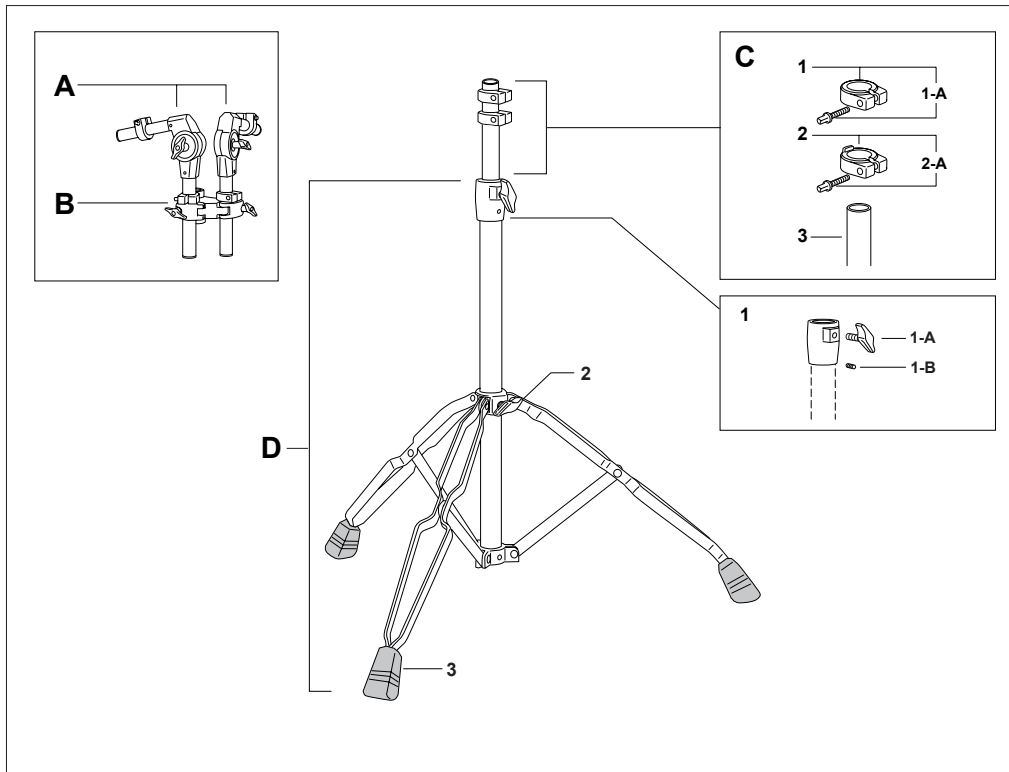
T-1000



- | | | |
|----------|-----------------|---|
| A | TH-1000S | Tom Holder / Short |
| B | AX-38 | Adapter — Please refer to the Adapter section. |
| C | T-80A | Upper Tube Assy. Complete |
| 1 | SX-2NS | Stop Lock, Complete |
| 1-A | KB-630 | Key Bolt |
| 2 | SX-2N | Stop Lock, Complete |
| 2-A | KB-630 | Key Bolt |
| 3 | TU-98T | Upper Tube ONLY |
| D | BA-100BW | Base Assy. Complete |
| 1 | DJ-700 | Die-Cast Joint Assy. Complete |
| 1-A | NP-366 | Nylon Bushing |
| 1-B | UGN-6 | Die-Cast Wing Nut w/Washer |
| 1-C | SC-169 | Clamp Bolt |
| 2 | UGB-815 | Die-Cast Wing Bolt |
| 3 | R-22N | Rubber Tip |

TOM STANDS

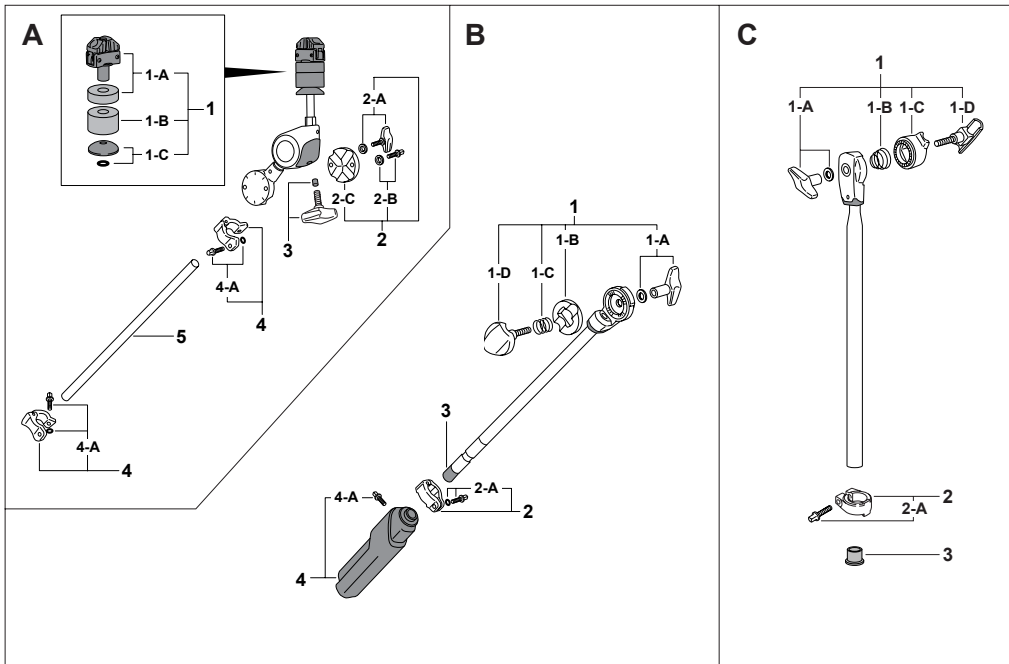
T-800W



- | | | |
|----------|-----------------|---|
| A | TH-88S | Tom Holder/Short (one each) |
| B | AX-38 | Adapter—Please refer to the Adapter section. |
| C | T-80A | Upper Tube Assy. Complete |
| 1 | SX-2NS | Stop Lock, Complete |
| 1-A | KB-630 | Key Bolt |
| 2 | SX-2N | Stop Lock, Complete |
| 2-A | KB-630 | Key Bolt |
| 3 | TU-98T | Upper Tube ONLY |
| D | BA-800BW | Base Assy. Complete |
| 1 | DJ-75A | Die-Cast Joint Assy. Complete |
| 1-A | UGB-815 | Die-Cast Wing Bolt |
| 1-B | SB-44 | Allen Screw |
| 2 | UGB-815 | Die-Cast Wing Bolt |
| 3 | R-22 | Rubber Tip |

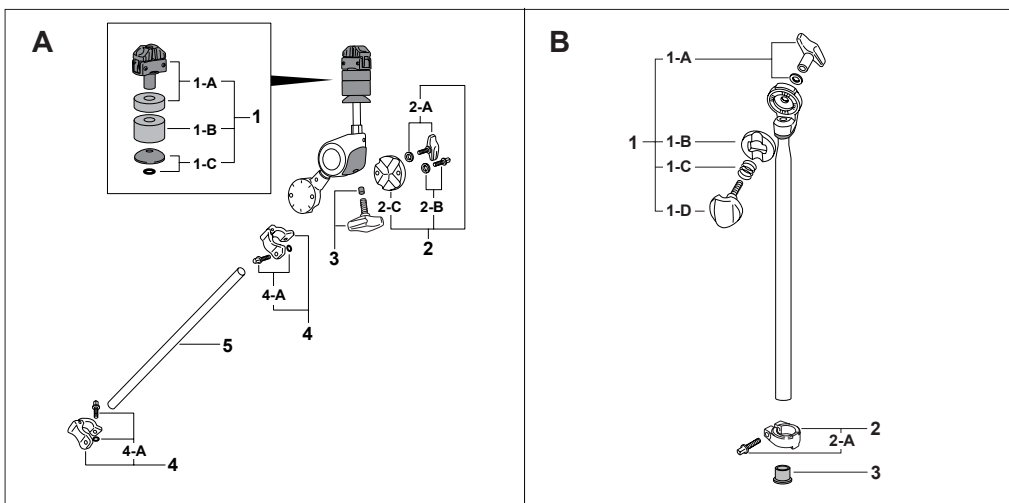
CYMBAL HOLDERS

CH-2000



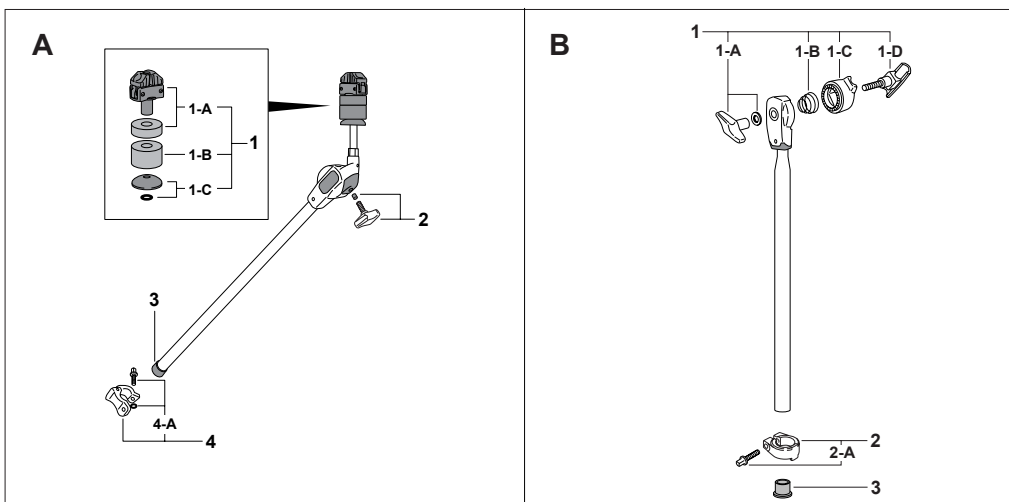
- | | | |
|----------|----------------|---------------------------------------|
| A | B-200A | Upper Boom Assy. Complete |
| 1 | WL-200A | WingLoc Assy. Complet |
| 1-A | WL-200 | WingLoc Quick Release Wing Nut w/Felt |
| 1-B | FL-90 | Felt (one each) |
| 1-C | RC-20 | Reversible Seat Cup w/O-Ring |
| 2 | DC-633A | Clamp Assy. Complete |
| 2-A | UGB-620 | Die-Cast Wing Bolt w/Washer |
| 2-B | KB-620W | Key Bolt w/Washer |
| 2-C | DC-633 | Clamp Plate |
| 3 | UGB-820P | Die-Cast Wing Bolt w/Pin |
| 4 | DC-627A | Stop Lock, Complete |
| 4-A | KB-615WO | Key Bolt w/Washer |
| 5 | ME-651 | Knurled Boom Arm |
| B | B-200B | Lower Boom Assy. Complete |
| 1 | BC-200A | Boom Clamp Assy. Complete |
| 1-A | UGN-8L | Die-Cast Wing Nut w/Washer |
| 1-B | DC-630 | Clamp Gear Link |
| 1-C | SP-032 | Spring |
| 1-D | DC-595A | Boom Clamp Bolt |
| 2 | DC-625A | Stop Lock Complete |
| 2-A | KB-615WO | Key Bolt w/Washer |
| 3 | NP-430 | Plastic Tip |
| 4 | NP-373A | Boom Arm Counterweight |
| 4-A | KB-615 | Key Bolt |
| C | TU-200A | Tube Assy. Complete |
| 1 | BC-100A | Boom Clamp Assy. Complete |
| 1-A | UGN-8L | Die-Cast Wing Nut w/Washer |
| 1-B | SP-27N | Spring |
| 1-C | DC-594 | Clamp Gear Link |
| 1-D | DC-596A | Boom Clamp Bolt |
| 2 | SX-2N | Stop Lock Complete |
| 2-A | KB-630 | Key Bolt |
| 3 | NP-164 | Plastic End Cap |

CH-2000S



- | | | |
|----------|----------------|---------------------------------------|
| A | B-200A | Boom Assy. Complete |
| 1 | WL-200A | WingLoc Assy. Complete |
| 1-A | WL-200 | WingLoc Quick Release Wing Nut w/Felt |
| 1-B | FL-90 | Felt (one each) |
| 1-C | RC-20 | Reversible Seat Cup w/O-Ring |
| 2 | DC-633A | Clamp Assy. Complete |
| 2-A | UGB-620 | Die-Cast Wing Bolt w/Washer |
| 2-B | KB-620W | Key Bolt w/Washer |
| 2-C | DC-633 | Clamp Plate |
| 3 | UGB-820P | Die-Cast Wing Bolt w/Pin |
| 4 | DC-627A | Stop Lock, Complete |
| 4-A | KB-615WO | Key Bolt w/Washer |
| 5 | ME-651 | Knurled Boom Arm |
| B | B-200BS | Tube Assy. Complete |
| 1 | BC-200A | Boom Clamp Assy. Complete |
| 1-A | UGN-8L | Die-Cast Wing Nut w/Washer |
| 1-B | DC-630 | Clamp Gear Link |
| 1-C | SP-032 | Spring |
| 1-D | DC-595A | Boom Clamp Bolt |
| 2 | SX-2N | Stop Lock Complete |
| 2-A | KB-630 | Key Bolt |
| 3 | NP-164 | Plastic End Cap |

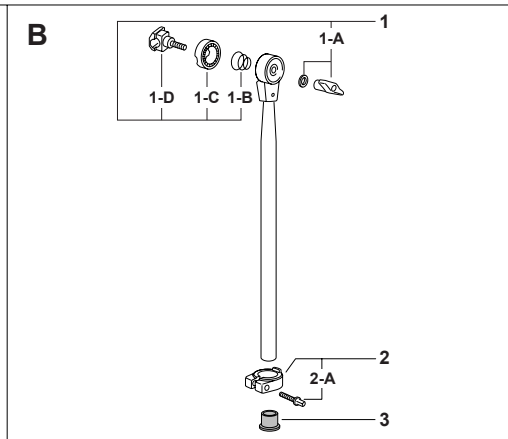
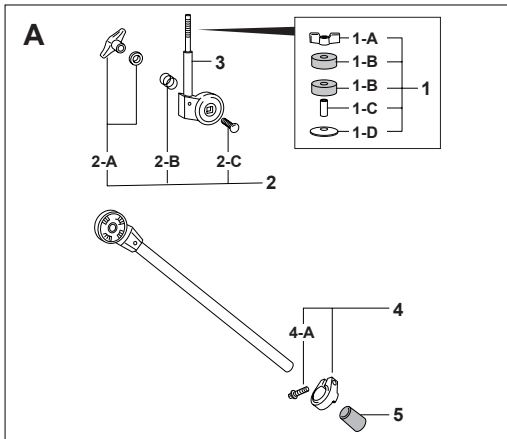
CH-1000



- | | | |
|----------|----------------|---------------------------------------|
| A | B-100A | Boom Assy. Complete |
| 1 | WL-200A | WingLoc Assy. Complete |
| 1-A | WL-200 | WingLoc Quick Release Wing Nut w/Felt |
| 1-B | FL-90 | Felt (one each) |
| 1-C | RC-20 | Reversible Seat Cup w/O-Ring |
| 2 | UGB-815P | Die-Cast Wing Bolt w/Pin |
| 3 | NP-71 | Rubber Tip |
| 4 | DC-625A | Stop Lock, Complete |
| 4-A | KB-615WO | Key Bolt |
| B | TU-200A | Tube Assy. Complete |
| 1 | BC-100A | Boom Clamp Assy. Complete |
| 1-A | UGN-8L | Die-Cast Wing Nut w/Washer |
| 1-B | SP-27N | Spring |
| 1-C | DC-594 | Clamp Gear Link |
| 1-D | DC-596A | Boom Clamp Bolt |
| 2 | SX-2N | Stop Lock Complete |
| 2-A | KB-630 | Key Bolt |
| 3 | NP-164 | Plastic End Cap |

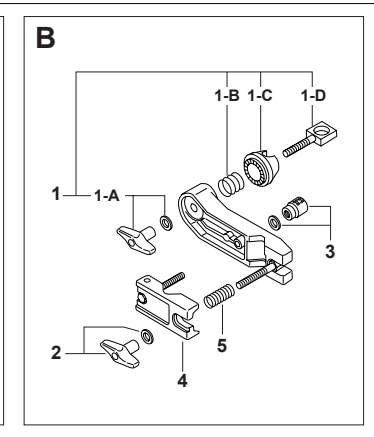
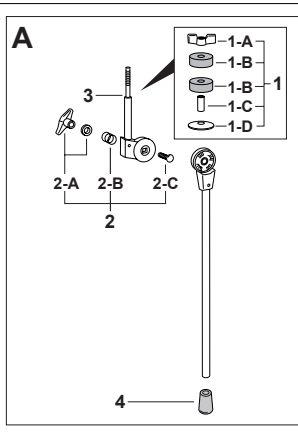
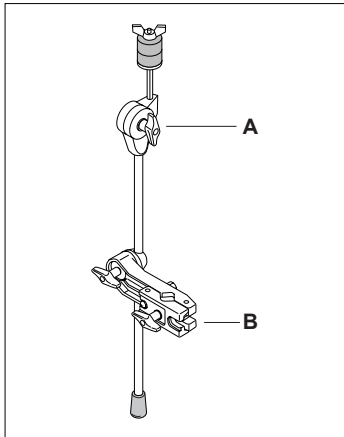
CYMBAL HOLDERS

CH-80



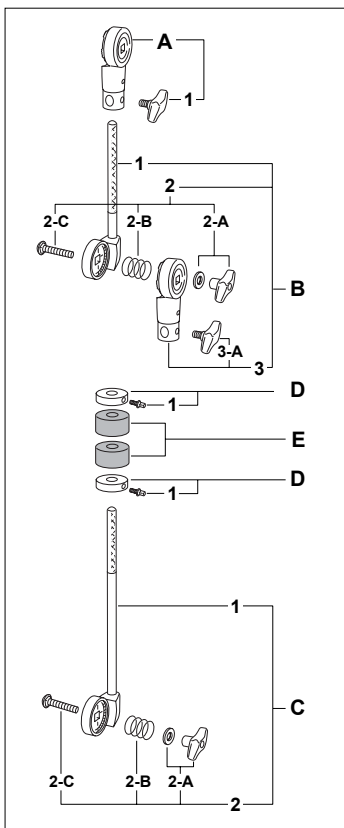
- A PP-169ACN Boom Arm Assy. Complete**
- 1 FL-80AN Upper Tilter Section Complete
 - 1-A M-8W Die-Cast Wing Nut
 - 1-B FE-32 Felt Washer
 - 1-C NP-70 Plastic Sleeve
 - 1-D PR-135 Cup Washer
 - 2 SN-800A Bolt & Nut Set w/Spring
 - 2-A UGN-8 Die-Cast Wing Nut w/Washer
 - 2-B SP-032 Spring
 - 2-C SC-36B Clamp Bolt
 - 3 SN-800N Tilter Unit
 - 4 SX-8 Stop Lock, Complete
 - 4-A KB-625 Key Bolt
 - 5 NP-71 Plastic Tip
- B TU-80A Tube Assy. Complete**
- 1 BC-800A Boom Clamp Assy. Complete
 - 1-A UGN-8 Die-Cast Wing Nut w/Washer
 - 1-B SP-27N Spring
 - 1-C DC-371 Clamp Gear Link
 - 1-D BTL-85N Boom Clamp Bolt
 - 2 SX-2N Stop Lock, Complete
 - 2-A KB-630 Key Bolt
 - 3 NP-164 Plastic End Cap

CH-700



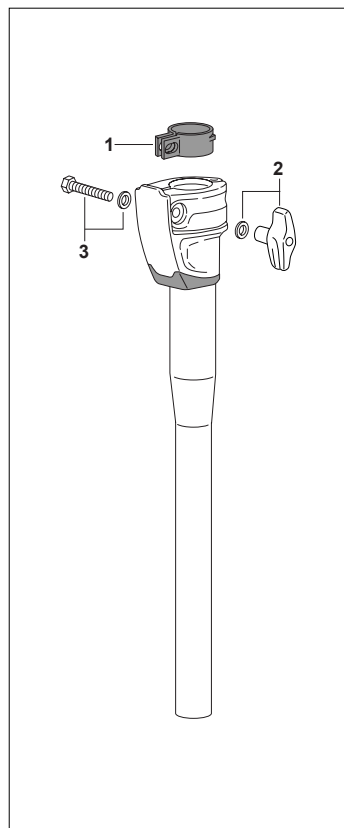
- A B-75AN Boom Arm Assy. Complete**
- 1 FL-80AN Upper Tilter Section Complete
 - 1-A M-8W Die-Cast Wing Nut
 - 1-B FE-32 Felt Washer
 - 1-C NP-70 Plastic Sleeve
 - 1-D PR-135 Cup Washer
 - 2 SN-800A Bolt & Nut Set w/Spring
 - 2-A UGN-8 Die-Cast Wing Nut w/Washer
 - 2-B SP-032 Spring
 - 2-C SC-33B Clamp Bolt
 - 3 SN-800N Tilter Unit
 - 4 NP-72 Plastic Tip
- B CA-70A Clamp Assy. Complete**
- 1 BC-70AN Boom Clamp Assy. Complete
 - 1-A UGN-8 Die-Cast Wing Nut w/Washer
 - 1-B SP-032 Spring
 - 1-C DC-335 Clamp Gear Link
 - 1-D ME-67 Boom Clamp Bolt
 - 2 UGN-8 Die-Cast Wing Nut w/Washer
 - 3 M-8RN Knurled Round Nut w/Washer
 - 4 DS-20B Die-Cast Link w/Swivel Bolt
 - 5 SP-26 Spring

CST-80



- A DC-497A Tilter Base Assy.**
- 1 UGB-610 Die-Cast Wing Bolt
- B TLCS-80S Tilter Rod Assy. Complete, Short**
- 1 ME-531SA Tilter Rod, Short
 - 2 SN-800A Bolt & Nut Set w/Spring
 - 2-A UGN-8 Die-Cast Wing Nut w/Washer
 - 2-B SP-032 Spring
 - 2-C SC-36B Clamp Bolt
 - 3 DC-497A Tilter Base Assy.
 - 3-A UGB-610 Die-Cast Wing Bolt
- C TLCS-80L Tilter Rod Assy. Complete, Long**
- 1 ME-531LA Tilter Rod, Long
 - 2 SN-800A Bolt & Nut Set w/Spring
 - 2-A UGN-8 Die-Cast Wing Nut w/Washer
 - 2-B SP-032 Spring
 - 2-C SC-36B Clamp Bolt
- D ME-532A Lock Spacer, Complete**
- 1 KB-615 Key Bolt
- E FE-32 Felt Washer**

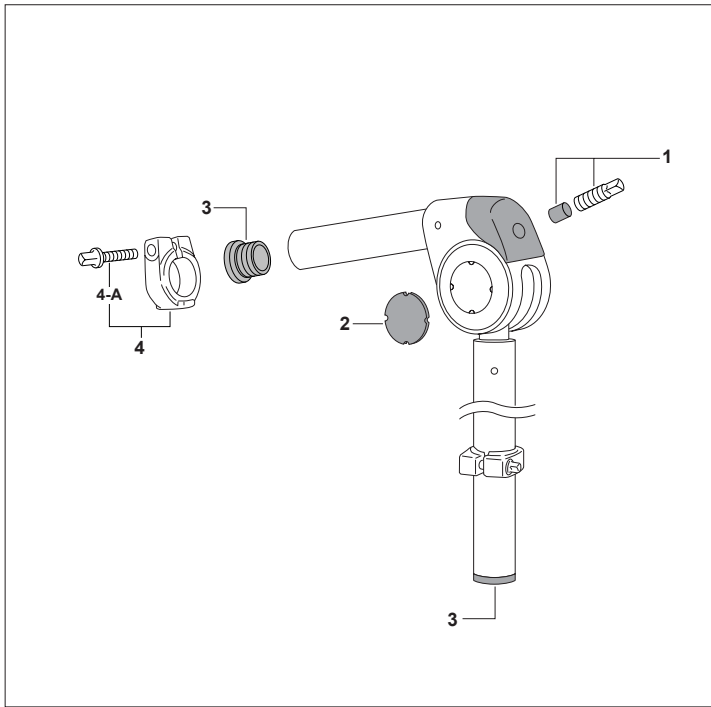
TX-100 Tube Extender



- 1 NP-366 Nylon Bushing
- 2 UGN-6 Die-Cast Wing Nut w/Washer
- 3 SC-169 Clamp Bolt w/Washer

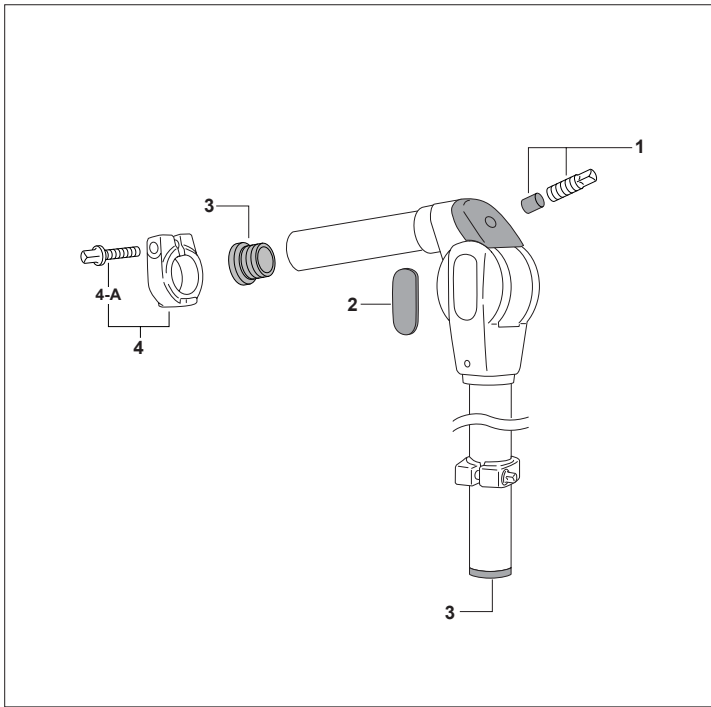
TOM HOLDERS

TH-2000 / 2000I / 2000S



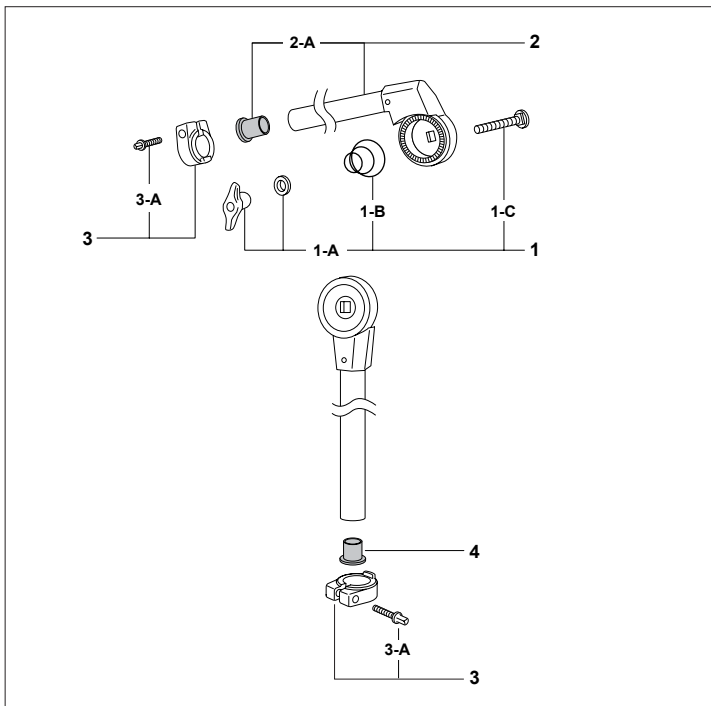
- 1 KB-814P Key Bolt w/Pin (one each)
- 2 B-GL-1 Logo Plate (one each)
- 3 NP-164 Plastic End Cap (one each)
- 4 SX-2N Stop Lock Complete (one set)
- 4-A KB-630 Key Bolt (one each)

TH-1000 / 1000I / 1000S



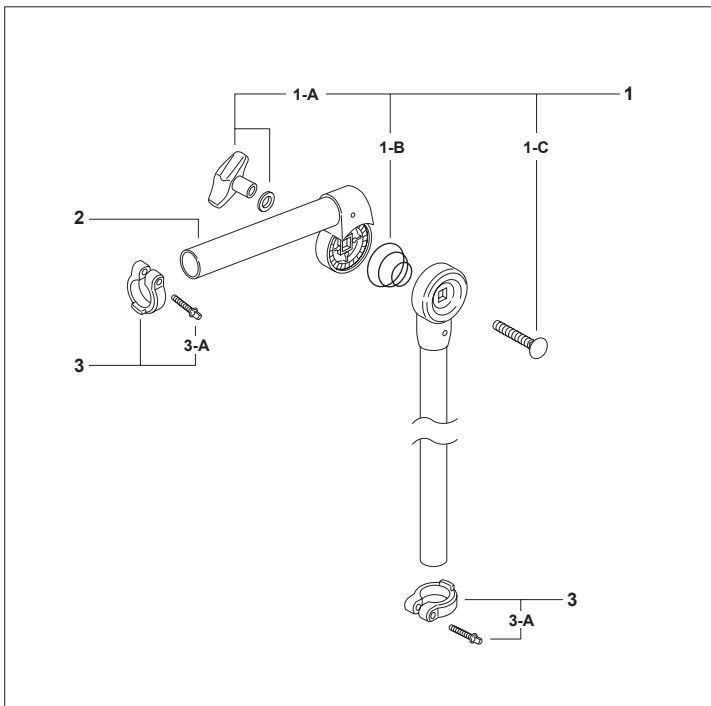
- 1 KB-821P Key Bolt w/Pin
- 2 B-UL-1 Logo Plate (one each)
- 3 NP-164 Plastic End Cap (one each)
- 4 SX-2N Stop Lock Complete (one set)
- 4-A KB-630 Key Bolt (one each)

TH-88 / 88S / 88I



- 1 SN-85A Clamp Bolt Set
- 1-A UGN-8 Die-Cast Wing Nut w/Washer
- 1-B SP-27N Spring
- 1-C SC-36B Clamp Bolt
- 2 TO-88A Tom Holder Arm w/Plastic End Cap
- 2-A NP-164 Plastic End Cap
- 3 SX-2N Stop Lock Complete (one set)
- 3-A KB-630 Key Bolt (one each)
- 4 NP-164 Plastic End Cap

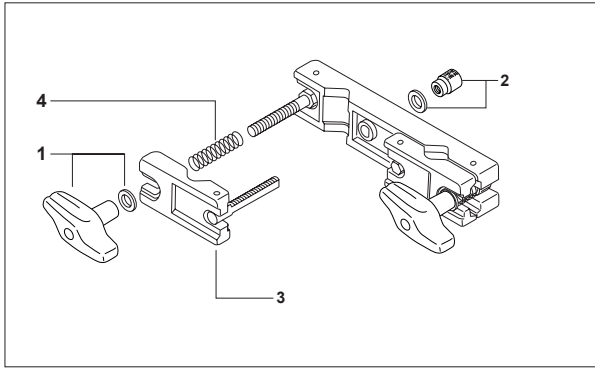
TH-70



- 1 SN-85A Clamp Bolt Set
- 1-A UGN-8 Die-Cast Wing Nut w/Washer
- 1-B SP-27N Spring
- 1-C SC-36B Clamp Bolt
- 2 TO-07 Tom Holder Arm ONLY
- 3 SX-70 Stop Lock Complete (one set)
- 3-A KB-625 Key Bolt (one each)

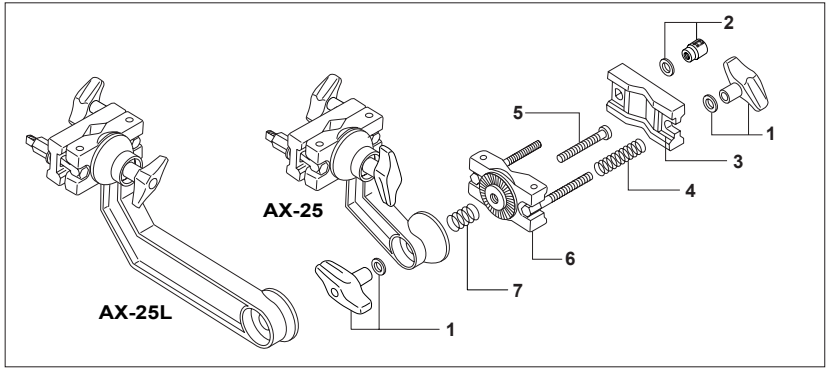
ADAPTERS

AX-20



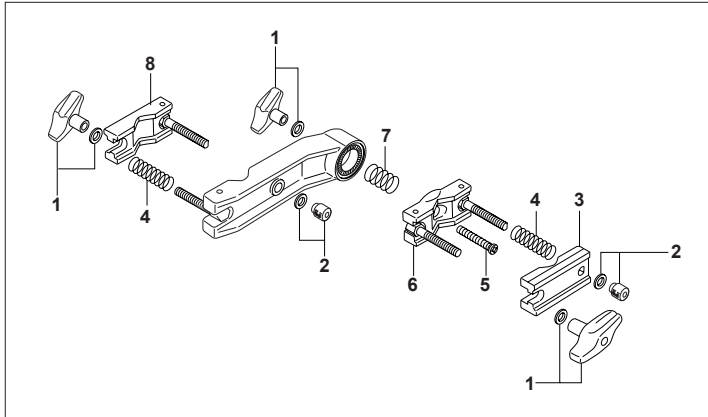
- 1 UGN-8 Die-Cast Wing Nut w/Washer
- 2 M-8RN Knurled Round Nut w/Washer
- 3 DS-20B Die-Cast Link w/Swivel Bolt
- 4 SP-26 Spring

AX-25/AX-25L



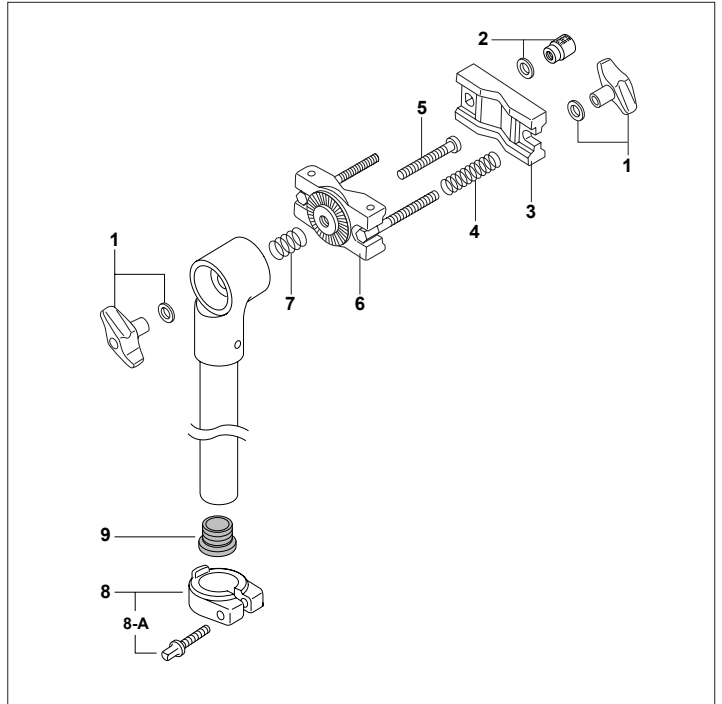
- 1 UGN-8 Die-Cast Wing Nut w/Washer (one set)
- 2 M-8RN Knurled Round Nut w/Washer
- 3 DC-182 Die-Cast Link
- 4 SP-26 Spring
- 5 SC-114 Center Bolt
- 6 DS-25A Die-Cast Gear Link w/Swivel Bolts
- 7 SP-36 Spring

AX-28



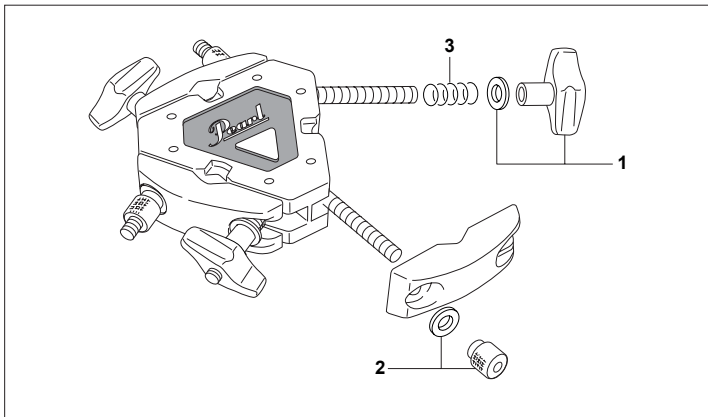
- 1 UGN-8 Die-Cast Wing Nut w/Washer
- 2 M-8RN Knurled Round Nut w/Washer
- 3 DC-182 Die-Cast Link
- 4 SP-26 Spring
- 5 SC-114 Center Bolt
- 6 DS-25A Die-Cast Gear Link w/Swivel Bolts
- 7 SP-36 Spring
- 8 DS-20A Die-Cast Gear Link w/Swivel Bolt

UX-80



- 1 UGN-8 Die-Cast Wing Nut w/Washer
- 2 M-8RN Knurled Round Nut w/Washer
- 3 DC182N Die-Cast Link
- 4 SP-26 Spring
- 5 SC144 Center Bolt
- 6 DS-25A Die-Cast Gear Link w/Swivel Bolts
- 7 SP-36 Spring
- 8 SX-2N Stop Lock, Complete
- 8-A KB-630 Key Bolt
- 9 NP-164 Plastic End Cap

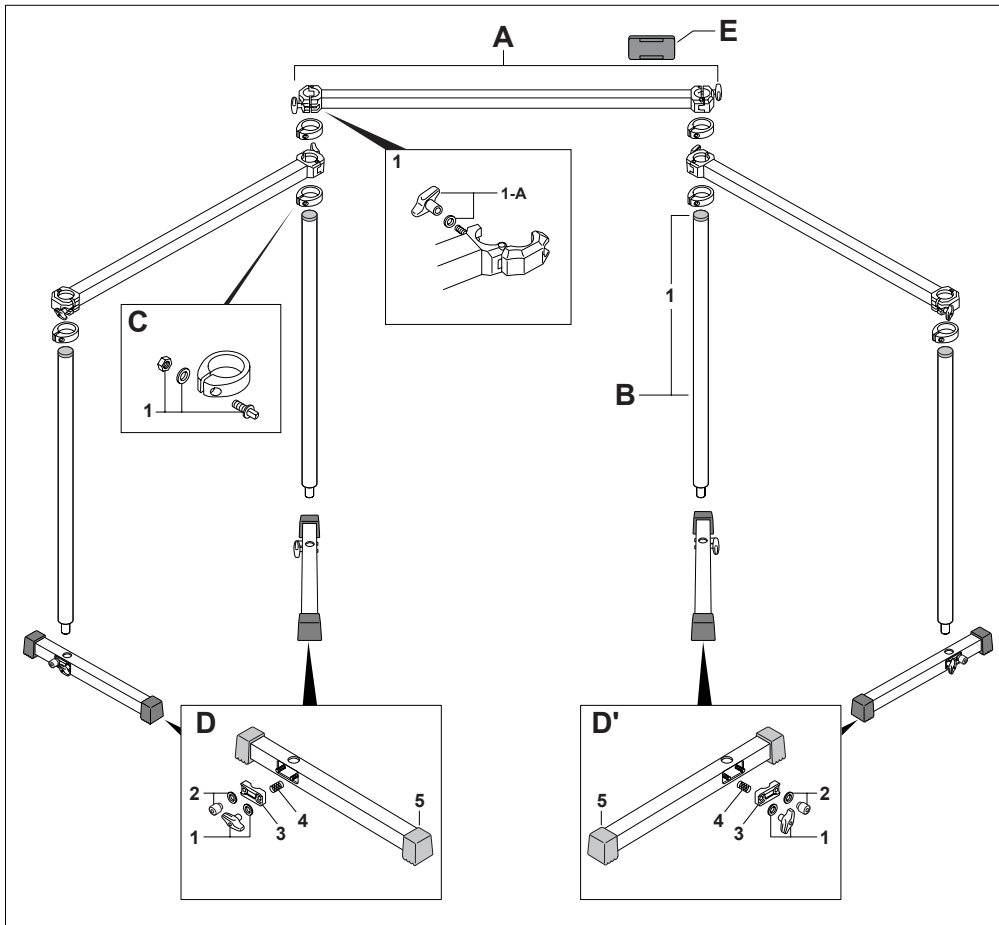
AX-38



- 1 UGN-8 Die-Cast Wing Nut w/Washer
- 2 M-8RN Knurled Round Nut w/Washer
- 3 SP-26 Spring

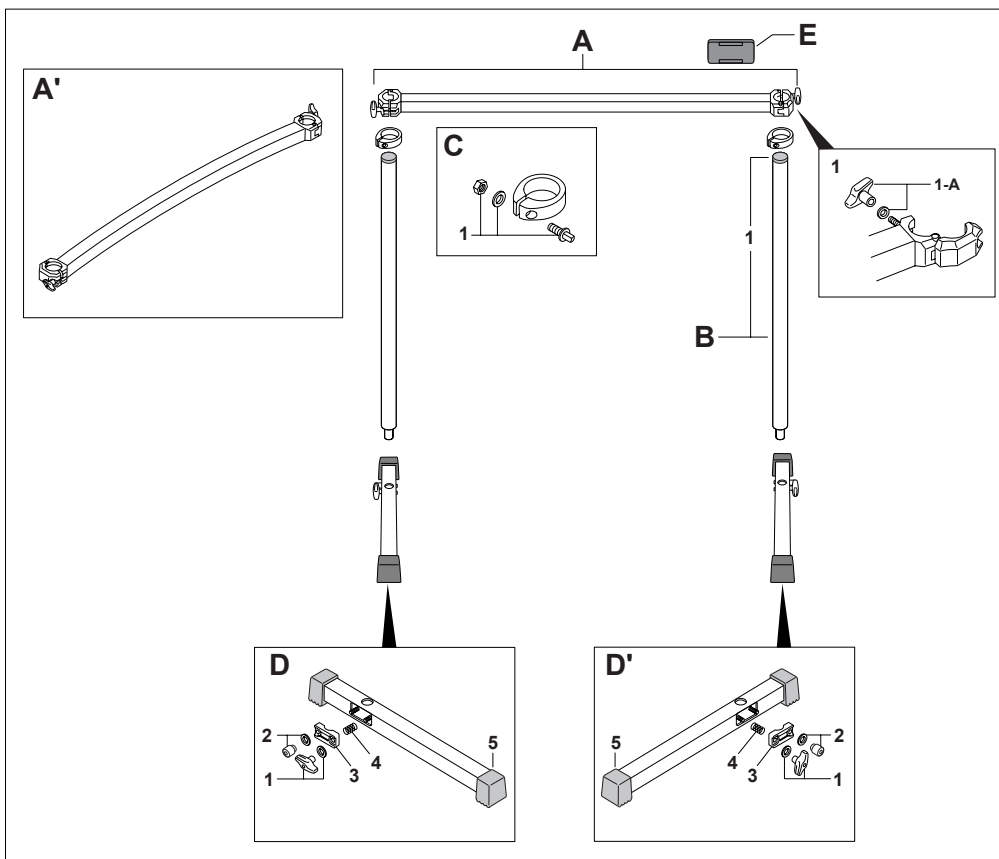
DRUM RACKS

DR-503



- A AL-18A Rack Bar Complete**
- 1 DC-424A Die-Cast Clamp Assy. Complete
- 1-A UGN-8 Die-Cast Wing Nut w/Washer
- B PP-176A Steel Leg**
- 1 NP-338 Plastic Cap
- C DC-426A Stop Lock, Complete**
- 1 KB-625A Key Bolt w/Washer & Hexagonal Nut
- D PP-189LA Floor Bar Assy. Complete (Left Side)**
- 1 UGN-8 Die-Cast Wing Nut w/Washer
- 2 M-8RN Knurled Nut w/Washer
- 3 DC-366 Die-Cast Link
- 4 SP-45 Spring
- 5 NP-188 Rubber Foot (one each)
- D' PP-189RA Floor Bar Assy. Complete (Right Side)**
- 1 UGN-8 Die-Cast Wing Nut w/Washer
- 2 M-8RN Knurled Nut w/Washer
- 3 DC-366 Die-Cast Link
- 4 SP-45 Spring
- 5 NP-188 Rubber Foot (one each)
- E NP-394 Clip on Logo**

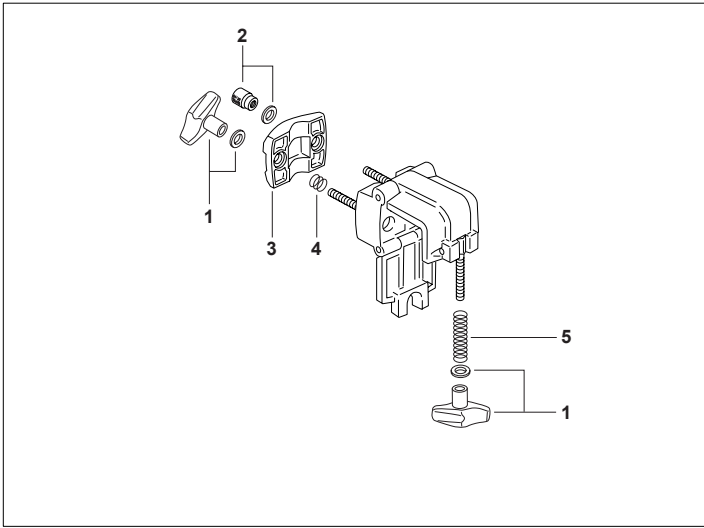
DR-501/501C/501E/501CE



- A AL-18A Rack Bar Complete**
- 1 DC-424A Die-Cast Clamp Assy. Complete
- 1-A UGN-8 Die-Cast Wing Nut w/Washer
- A' AL-28AC Curved Rack Bar Complete**
- B PP-176A Steel Leg**
- 1 NP-338 Plastic Cap
- C DC-426A Stop Lock, Complete**
- 1 KB-625A Key Bolt w/Washer & Hexagonal Nut
- D PP-189LA Floor Bar Assy. Complete**
- 1 UGN-8 Die-Cast Wing Nut w/Washer
- 2 M-8RN Knurled Nut w/Washer
- 3 DC-366 Die-Cast Link
- 4 SP-45 Spring
- 5 NP-188 Rubber Foot (one each)
- D' PP-189RA Floor Bar Assy. Complete**
- 1 UGN-8 Die-Cast Wing Nut w/Washer
- 2 M-8RN Knurled Nut w/Washer
- 3 DC-366 Die-Cast Link
- 4 SP-45 Spring
- 5 NP-188 Rubber Foot (one each)
- E NP-394 Clip on Logo**

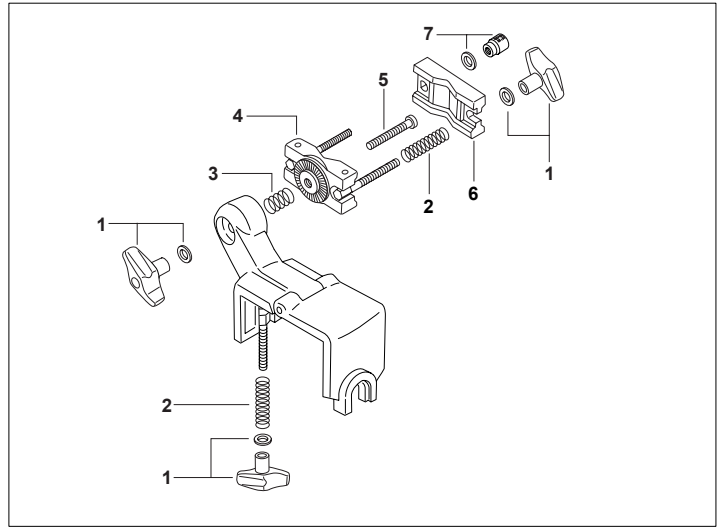
PIPE CLAMPS, RACK JOINT

PCX-100



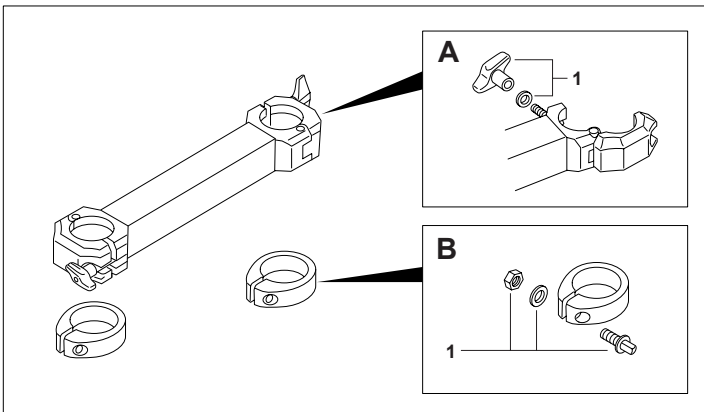
- 1 UGN-8 Die-Cast Wing Nut w/Washer
- 2 M-8RN Knurled Round Nut w/Wahser
- 3 DC-587 Die-Cast Link
- 4 SP-45S Spring
- 5 SP-26 Spring

PCX-200



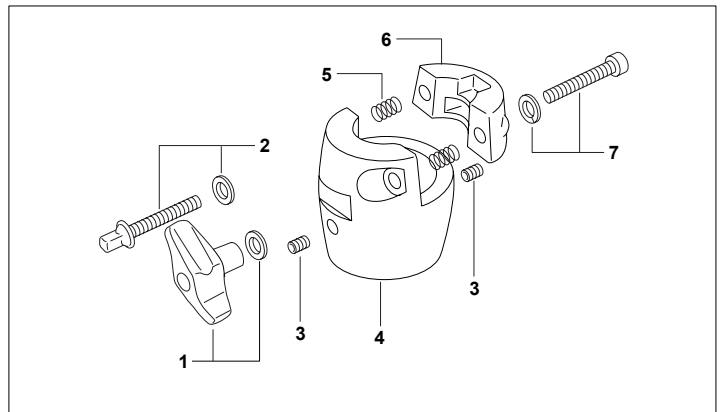
- 1 UGN-8 Die-Cast Wing Nut w/Washer
- 2 SP-26 Spring
- 3 SP-36 Spring
- 4 DS-25A Die-Cast Gear Link w/Swivel Bolts
- 5 SC-127 Center Bolt
- 6 DC-182N Die-Cast Link
- 7 M-8RN Knurled Round Nut w/Wahser

RJ-50 Rack Joint



- A DC-424A Die-Cast Clamp Assy. Complete**
- 1 UGN-8 Die-Cast Wing Nut w/Washer
- B DC-426A Stop Lock, Complete**
- 1 KB-625A Key Bolt w/Washer & Hexagonal Nut

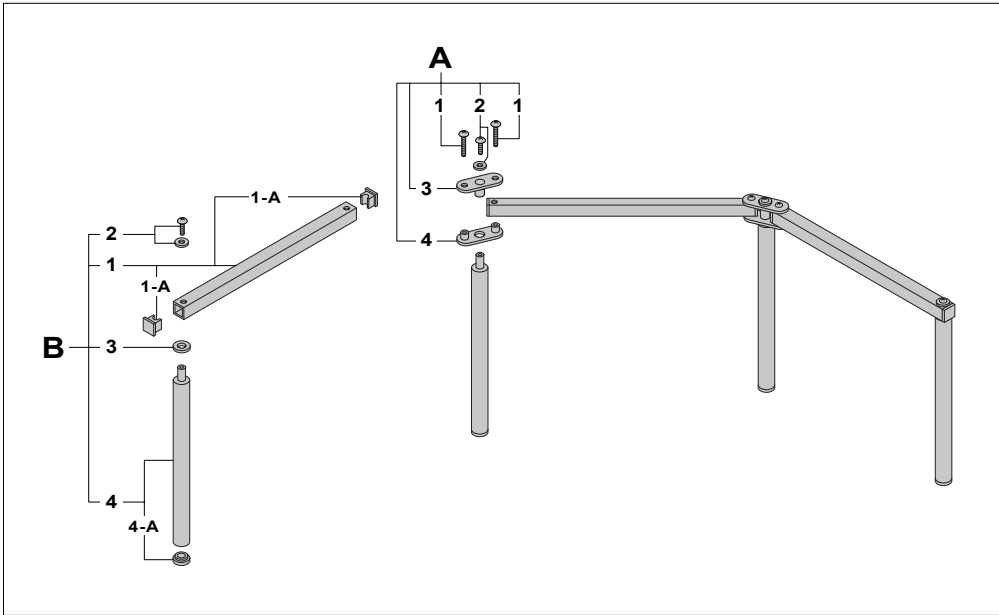
PCL-100



- 1 UGN-6 Die-Cast Wing Nut w/Washer
- 2 SC-57W Key Bolt w/Washer
- 3 SB-66 Allen Screw
- 4 DC-544 Pipe Bracket
- 5 SP-33 Spring
- 6 DC-545 Clamp Bracket
- 7 SC-341W Bolt w/Washer

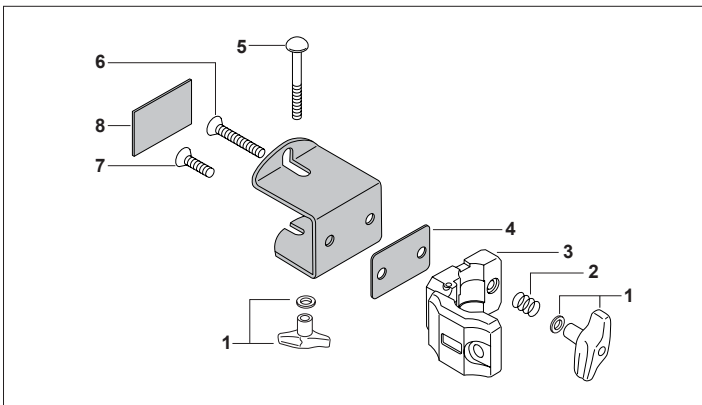
DRUM RACKS, PIPE CLAMPS, RACK JOINT

DR-80



- | | | |
|----------|---------------|--------------------------------|
| A | DR-JC1 | Joint Assy. Complete |
| 1 | SC-204 | Bolt (Long) (one each) |
| 2 | SC-205 | Bolt w/Washer (Short) |
| 3 | LKP-7 | Upper Link Plate w/Leg Bracket |
| 4 | LKP-4 | Lower Link Plate w/Nuts |
| B | DR-008 | Expansion Unit Complete |
| 1 | AL-13 | Bar w/End Caps |
| 1-A | NP-162 | End Caps (one each) |
| 2 | SC-205 | Bolt w/Washer (Short) |
| 3 | PR-282 | Leg Spacer |
| 4 | 120N | Leg w/Leg Cap |
| 4-A | NP-163 | Leg Cap |

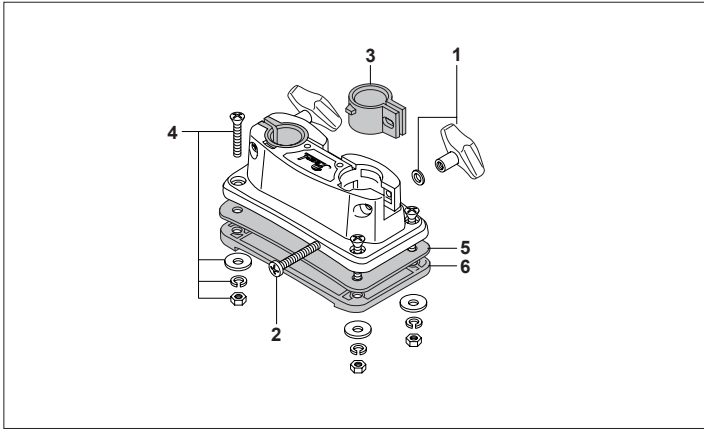
PC-8



- | | | | | | |
|---|---------|----------------------------|---|--------|-------------------|
| 1 | UGN-8 | Die-Cast Wing Nut w/Washer | 5 | SC-160 | Carriage Bolt |
| 2 | SP-45S | Spring | 6 | SC-850 | Clamp Bolt, Long |
| 3 | DC-422A | Hinged Clamp ONLY | 7 | SC-279 | Clamp Bolt, short |
| 4 | GA-45 | Gasket | 8 | GA-43 | Gasket |

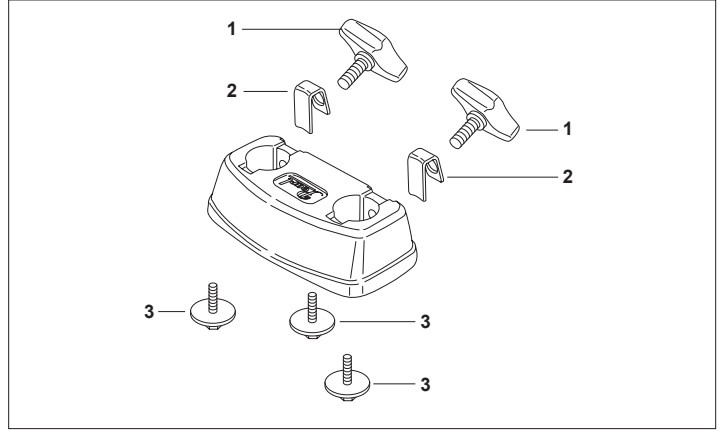
TOM HOLDER BASSES, BRACKETS

BB-3



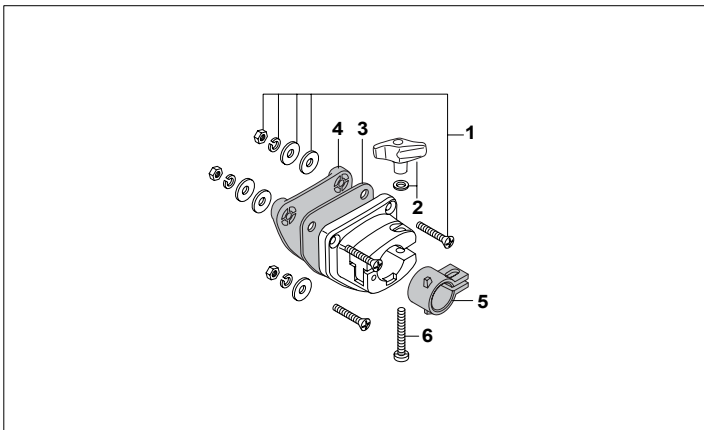
- 1 UGN-6 Die-Cast Wing Nut w/Washer (one set)
- 2 SC-640 Clamp Bolt (one each)
- 3 NB-7N Nylon Bushing (one each)
- 4 B-MS Mounting Screw, Washers & Nut (one set)
- 5 NP-259P Rubber Gasket
- 6 NP-185 Set Plate

BB-70



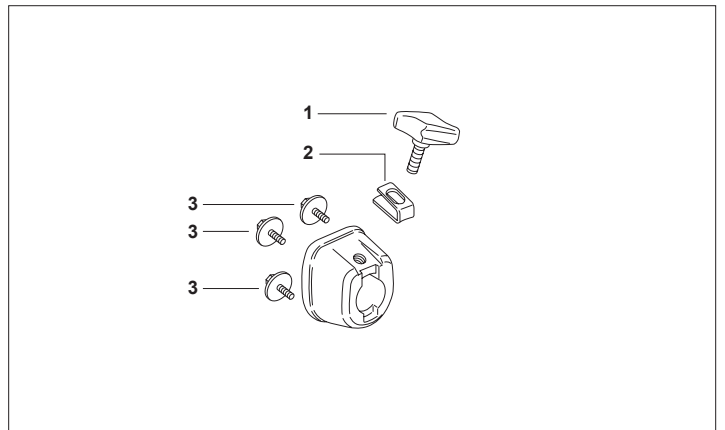
- 1 UGB-815 Die-Cast Wing Bolt (one each)
- 2 PR-618 Steel Bracket (one each)
- 3 SC-233 Mounting Screw w/Washer (one set)

BT-3



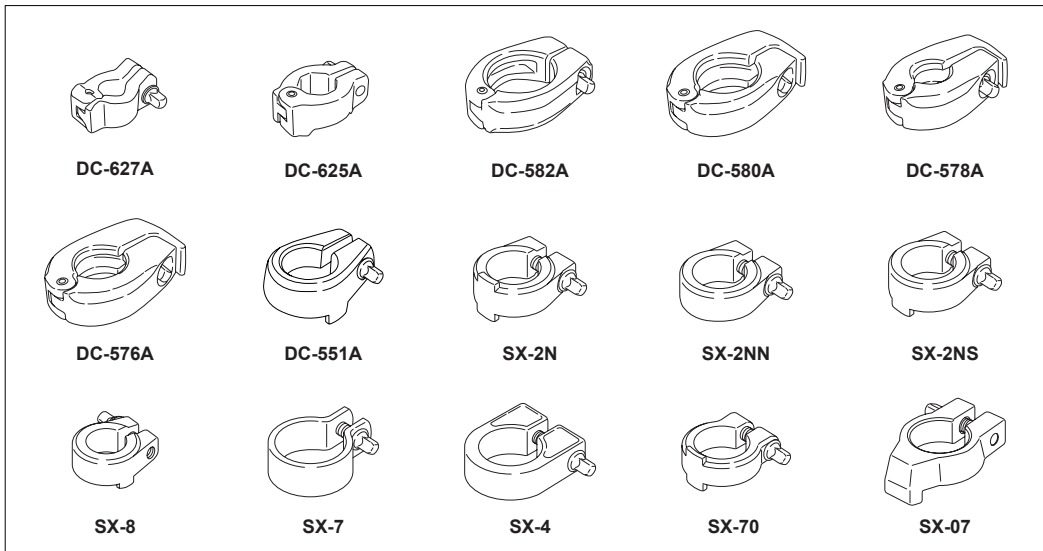
- 1 T-MS Mounting Screw, Washers & Nut (one set)
- 2 UGN-6 Die-Cast Wing Nut w/Washer
- 3 GK-36 Gasket
- 4 NP-186 Set Plate
- 5 NB-7N Nylon Bushing
- 6 SC-640 Clamp Bolt

BT-70



- 1 UGB-815 Die-Cast Wing Bolt
- 2 PR-618 Steel Bracket
- 3 SC-234 Mounting Screw w/Washer (one set)

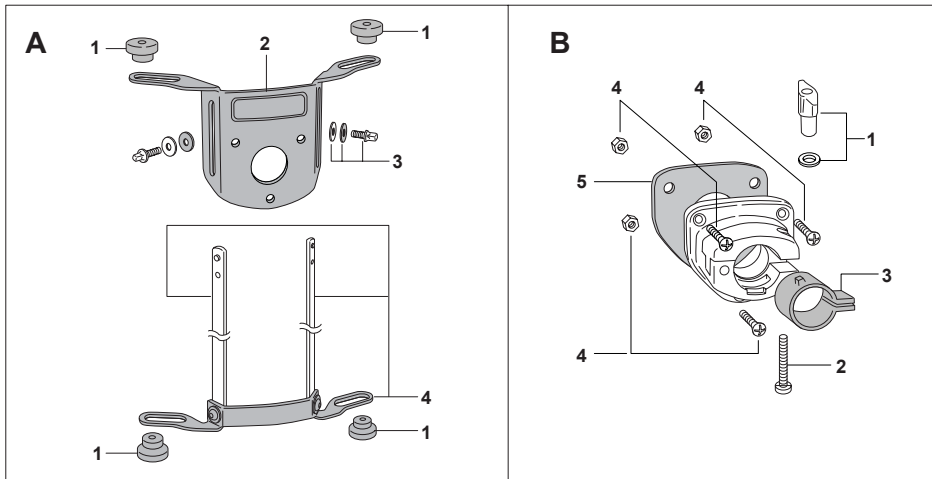
Stop Locks



Number	Application
DC-627A	BC-2000, CH-2000, CH-2000S, TL-2000
DC-625A	CH-2000, CH-1000, BC-2000, B-1000
DC-582A	BC-2000, T-2000, TC-2000
DC-580A	H-2000(2004y~), H-1000, H-1000K, D-1000SP
DC-578A	BC-2000
DC-576A	BC-2000, T-2000, TC-2000
DC-551A	D-80, D-75,
SX-2N	CH-2000, CH-2000S, CH-1000, TH-2000, TH-2000S, TH-2000I, TH-1000, TH-1000I, TH-1000S, T-800W, TH-88, TH-88S, TH-88I, CH-80, JG-16, T-2000, T-1000, UX-80, UX-80S
SX-2NS	T-2000, T-1000, T-800W
SX-2NN	H-820W
SX-4	H-2000(~2004y),
SX-7	D-80, D-75, D-70W
SX-8	B-800W, CH-80
SX-70	TH-70
SX-07	D-70W

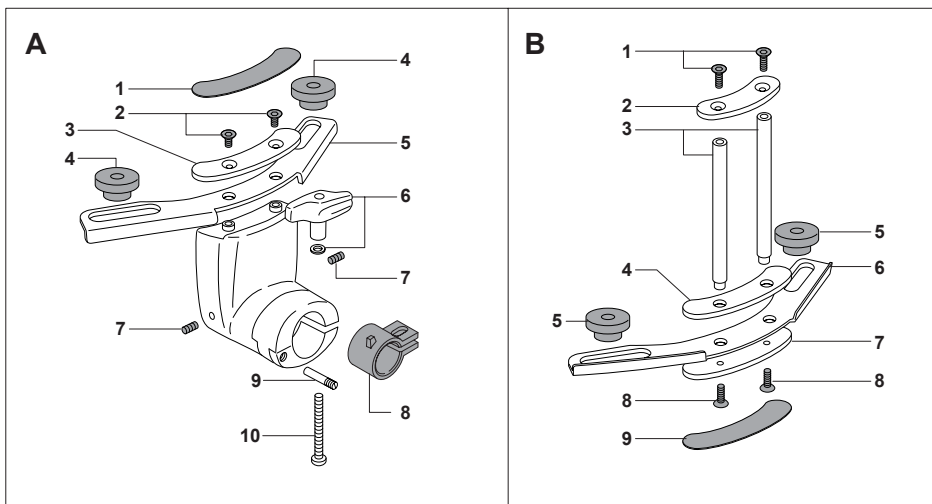
OPTIMOUNT, I.S.S.

Optimount Suspension System



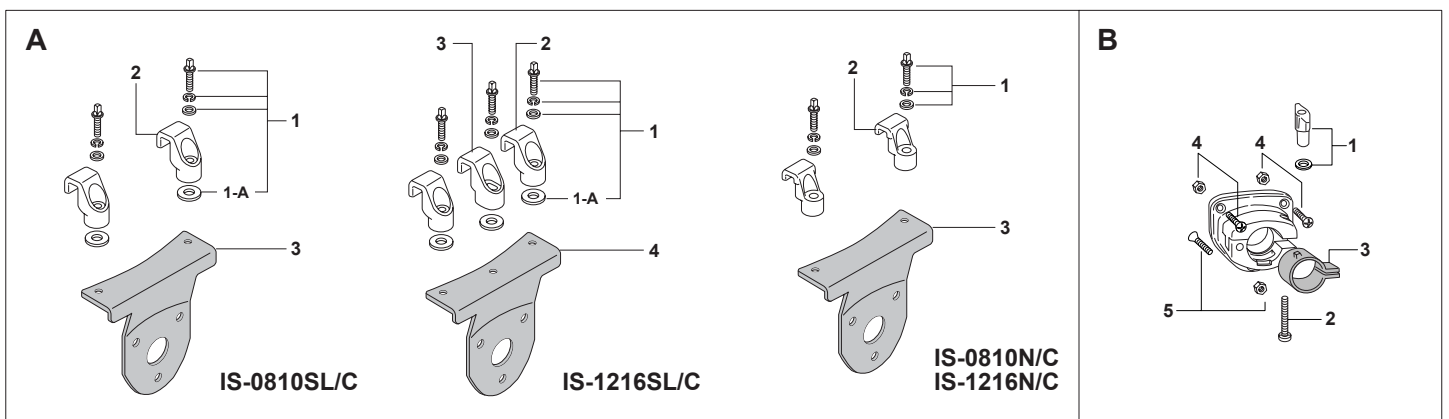
- A**
- OPT-78 Optimount w/o BT-3 (for OPT-0708)
 - OPT-91 Optimount w/o BT-3 (for OPT-0910)
 - OPT-112 Optimount w/o BT-3 (for OPT-1112)
 - OPT-134 Optimount w/o BT-3 (for OPT-1314)
 - OPT-156 Optimount w/o BT-3 (for OPT-1516)
- 1 NP-265 Mounting Rubber (one each)
 2 PR-528 Bracket Mounting Plate ONLY
 3 KB-615W Key Bolt w/Washers (one each)
 4 PR-529A Lower Mounting Plate Assy. * (for OPT-0708)
 PR-530A Lower Mounting Plate Assy. * (for OPT-0910)
 PR-531A Lower Mounting Plate Assy. * (for OPT-1112)
 PR-532A Lower Mounting Plate Assy. * (for OPT-1314)
 PR-537A Lower Mounting Plate Assy. * (for OPT-1516) (one set)
- * (Includes Lower Mounting Plate and 1pr. connecting struts ONLY)
- B**
- BT-3-OPT Mounting Bracket
 - 1 UGN-6 Die-Cast Wing Nut w/Washer
 - 2 SC-640 Clamp Bolt
 - 3 NB-7N Nylon Bushing
 - 4 IS-MS Mounting Screw & Nut (one set)
 - 5 NP-260P Rubber Gasket

New Optimount Suspension System



- A**
- OPTN-TA Top Assy, Complete
 - 1 DDC-OPTN Logo Sticker
 - 2 SC-367S Flat-head Screw (one each)
 - 3 PR-638U Support Plate
 - 4 NP-419 Rubber Grommet
 - 5 PR-637 Attachment Bracket
 - 6 UGN-6 Die-Cast Wing Nut w/Washer
 - 7 SB-66 Allen Screw
 - 8 NP-420 Nylon Bushing
 - 9 ME-229 Pivot Pin
 - 10 SC-640 Clamp Bolt
- B**
- OPTN-78 Lower Assy, Complete for OPTN-0708
 - OPTN-91 Lower Assy, Complete for OPTN-0910
 - OPTN-112 Lower Assy, Complete for OPTN-1112
 - OPTN-134 Lower Assy, Complete for OPTN-1314
 - OPTN-156 Lower Assy, Complete for OPTN-1516
- 1 SC-366 Flat-head Screw (one each)
 2 PR-638 Strut Brace, upper
 3 ME-656 Strut (one each) for OPTN-0708
 ME-657 Strut (one each) for OPTN-0910
 ME-658 Strut (one each) for OPTN-1112
 ME-659 Strut (one each) for OPTN-1314
 ME-660 Strut (one each) for OPTN-1516
 4 PR-638D Strut Brace, lower
 5 NP-419 Rubber Grommet
 6 PR-637 Attachment Bracket
 7 PR-638U Support Plate
 8 SC-366 Flat-head Screw (one each)
 9 DDC-OPTN Logo Sticker

Integrated Suspension System (I.S.S.)

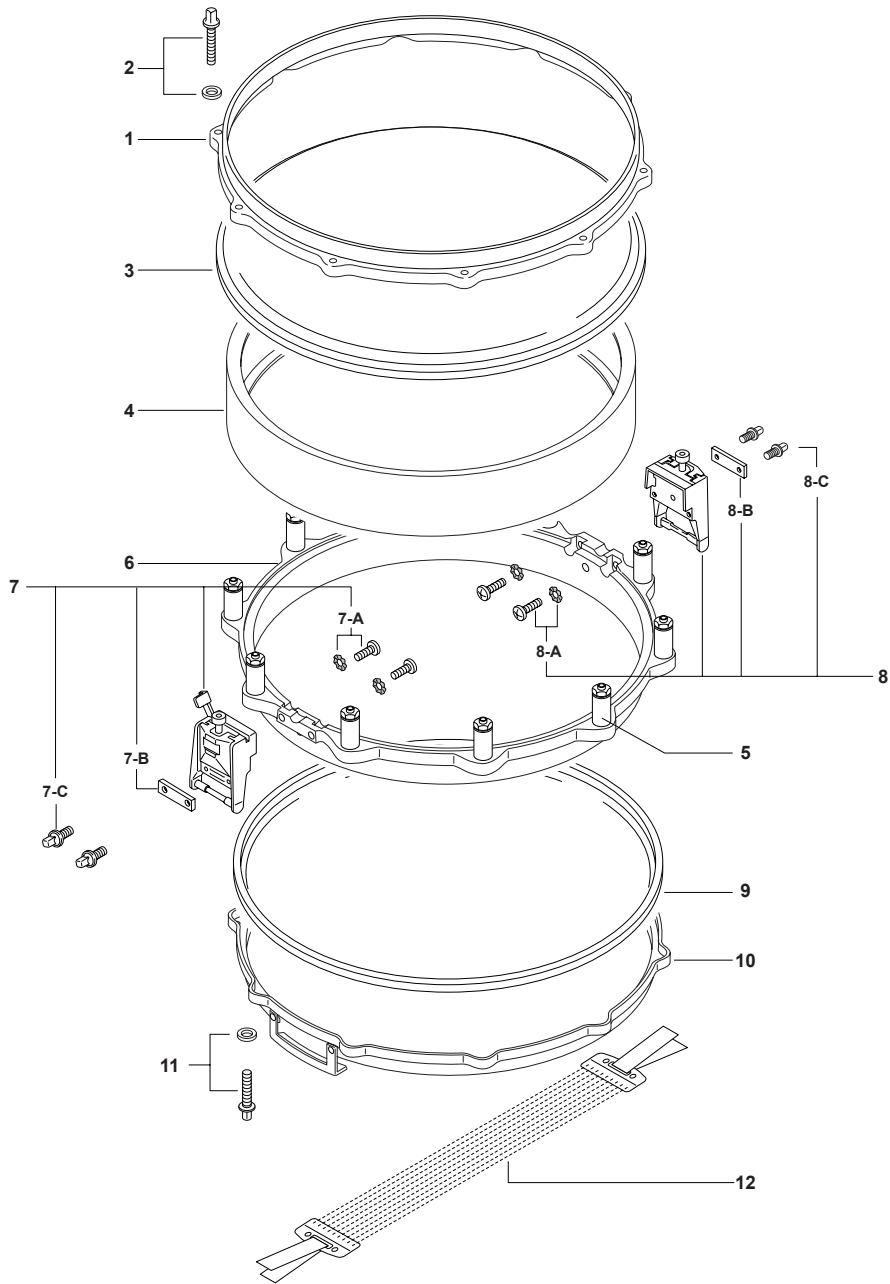


- A**
- IS-0810SL/C I.S.S. for 8"-10" 2.3mm Super Hoop
 - 1 KB-625WN Key Bolt w/Washers (one set)
 - 1-A WS-5A Washer ONLY (one each)
 - 2 DC-385 Rim Hook (one each)
 - 3 PR-347N Bracket Mounting Plate
- A**
- IS-1216SL/C I.S.S. for 12"-16" 2.3mm Super Hoop
 - 1 KB-625WN Key Bolt w/Washers (one set)
 - 1-A WS-5A Washer ONLY (one each)
 - 2 DC-385 Rim Hook Outside (one each)
 - 3 DC-386 Rim Hook Middle
 - 4 PR-346 Bracket Mounting Plate
- B**
- BT-3-ISS Mounting Bracket (for I.S.S.)
 - 1 UGN-6 Die-Cast Wing Nut w/Washer
 - 2 SC-640 Clamp Bolt
 - 3 NB-7N Nylon Bushing
 - 4 IS-MS Upper Bolt & Nut Complete (one set)
 - 5 IS-MSL Bottom Bolt & Nut Complete

- A**
- IS-0810N/C I.S.S. for 8"-10" 1.6mm Regular Hoop
 - 1 KB-625WN Key Bolt w/Washers (one set)
 - 2 DC-472 Rim Hook (one each)
 - 3 PR-347N Bracket Mounting Plate
- A**
- IS-1216N/C I.S.S. for 12"-16" 1.6mm Regular Hoop
 - 1 KB-625WN Key Bolt w/Washers (one set)
 - 2 DC-472 Rim Hook (one each)
 - 3 PR-346N Bracket Mounting Plate
- B**
- BT-3-ISS Mounting Bracket (for I.S.S.)
 - 1 UGN-6 Die-Cast Wing Nut w/Washer
 - 2 SC-640 Clamp Bolt
 - 3 NB-7N Nylon Bushing
 - 4 IS-MS Upper Bolt & Nut Complete (one set)
 - 5 IS-MSL Bottom Bolt & Nut Complete

F.F.S. SNARE DRUM

Free Floating System Snare Drum

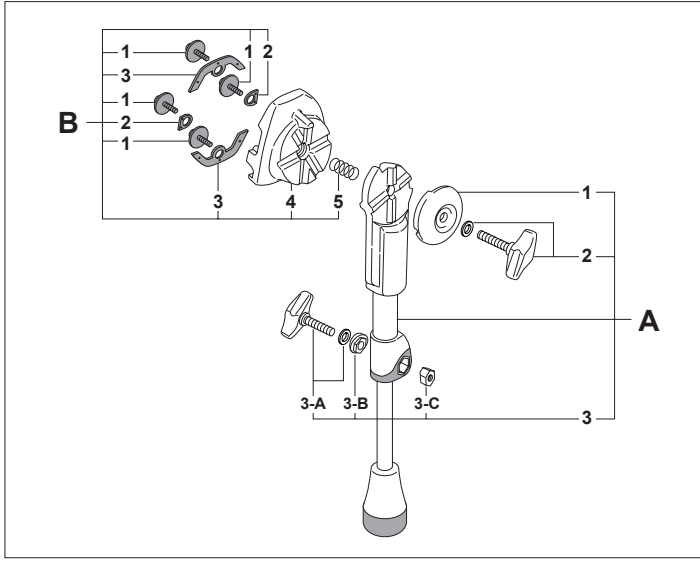


Free Floating System Snare Drum

1	DC-1410	Die-Cast Hoop for Batter Side	8	SR-10B	Butt Side Assy. Complete of SR-010 Strainer
2	SH-1410B	SuperHoop II for Batter Side (SL-8114P ONLY)	8-A	SN-612	Mounting Screw w/Washer (one each)
	T-060	Tension Key Rod w/Washer (one each)	8-B	SR-16C	Snare Mounting Plate
3		Head for Batter Side	8-C	KB-508	Key Bolt (one each)
4		Shell	9		Head for Snare Side
5	FT-35	Lug Post for 3 1/2" Depth Snare Drum	10	DC-1410SG	Die-Cast Hoop w/Guard for Snare Side
	FT-50	Lug Post for 5" Depth Snare Drum		SH-1410SG	SuperHoop II w/Guard for Snare Side (SL-8114P ONLY)
	FT-65	Lug Post for 6 1/2" Depth Snare Drum	11	T-060	Tension Key Rod w/Washer (one each)
6	ARC-1410	Aluminum Ring Chassis ONLY	12	S-025	High Carbon Steel Wire Snares w/Plastic Straps
7	SR-10A	Release Side Assy. Complete of SR-010 Strainer			
7-A	SN-612	Mounting Screw w/Washer (one each)			
7-B	SR-16C	Snare Mounting Plate			
7-C	KB-508	Key Bolt (one each)			

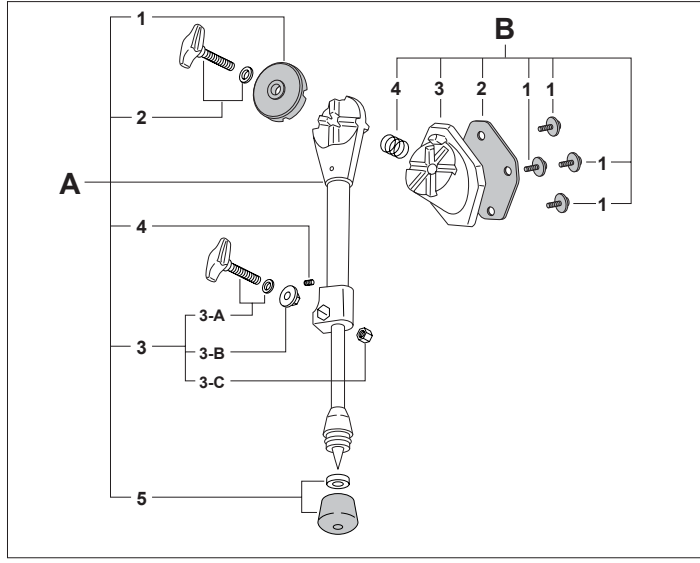
BASS DRUM SPURS

SP-300



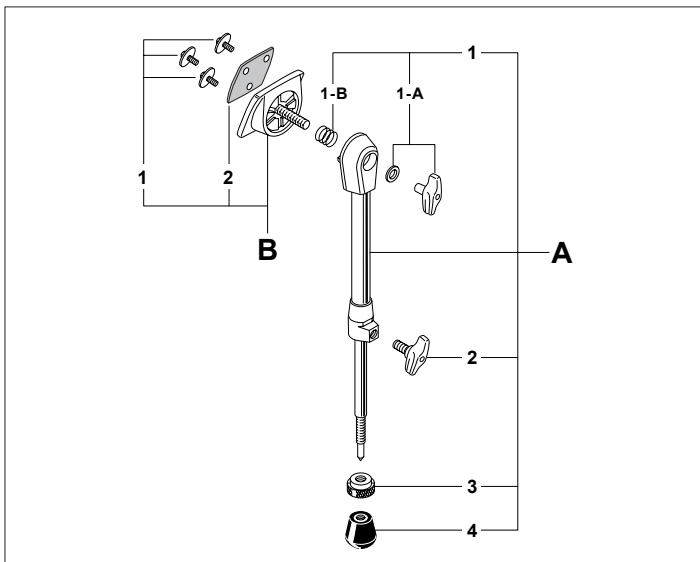
- A SP-300A Spur Assy. Complete**
- 1 DC-667 Outer Cap
 - 2 UGB-835 Die-Cast Wing Bolt w/Washer
 - 3 SP-300D Die-Cast Wing Bolt Set
 - 3-A UGB-628 Die-Cast Wing Bolt w/Washer
 - 3-B DC-664 Hexagonal Washer
 - 3-C DC-665 Hexagonal Nut
- B SPB-300 Spur Bracket Complete**
- 1 SM-512B(6 ply) Mounting Screw w/Washer (6ply)
 - SM-514B(8 ply) Mounting Screw w/Washer (8ply)
 - 2 NP-415P Rubber Gasket
 - 3 NP-414P Rubber Gasket
 - 4 DC-661 Spur Bracket ONLY
 - 5 SP-020 Spring

SP-30



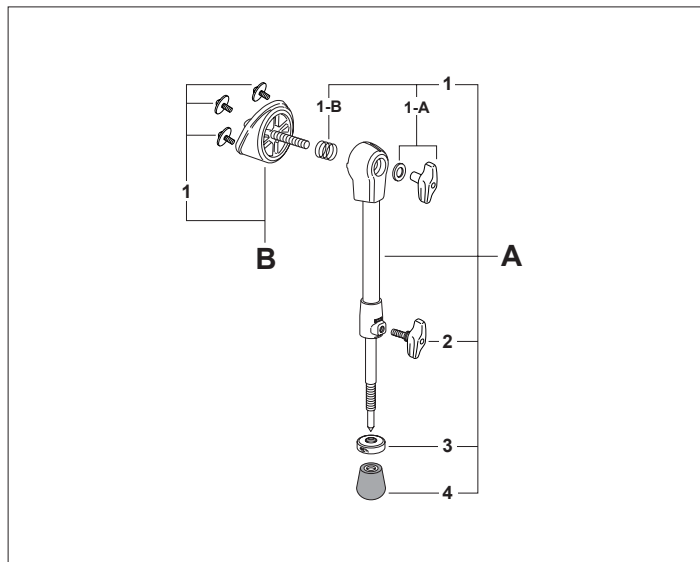
- A SP-30A Spur Assy. Complete**
- 1 SP-30C Outer Cap
 - 2 UGB-835 Die-Cast Wing Bolt w/Washer
 - 3 SP-30D Die-Cast Wing Bolt Set
 - 3-A UGB-628 Die-Cast Wing Bolt w/Washer
 - 3-B DC-91 Hexagonal Washer
 - 3-C ME-89 Hexagonal Nut
 - 4 SB-55 Allen Screw
 - 5 R-30A Rubber Tip w/Washer
- B SP-30E Spur Bracket Complete**
- 1 SM-512B Mounting Screw w/Washer (one each)
 - 2 NP-244P Rubber Gasket
 - 3 DC-88 Spur Bracket ONLY
 - 4 SP-020 Spring

SP-20



- A SP-20A Spur Assy. Complete**
- 1 SP-20B Die-Cast Wing Nut w/Washer and Spring
 - 1-A UGN-8 Die-Cast Wing Nut w/Washer
 - 1-B SP-54 Spring
 - 2 UGB-815 Die-Cast Wing Bolt
 - 3 RHA-1T Lock Nut
 - 4 RHS-1R Rubber Tip
- B SPB-20A Spur Bracket Complete**
- 1 SM-512 Mounting Screw w/Washer (one each)
 - 2 NP-332P Rubber Gasket (one each)

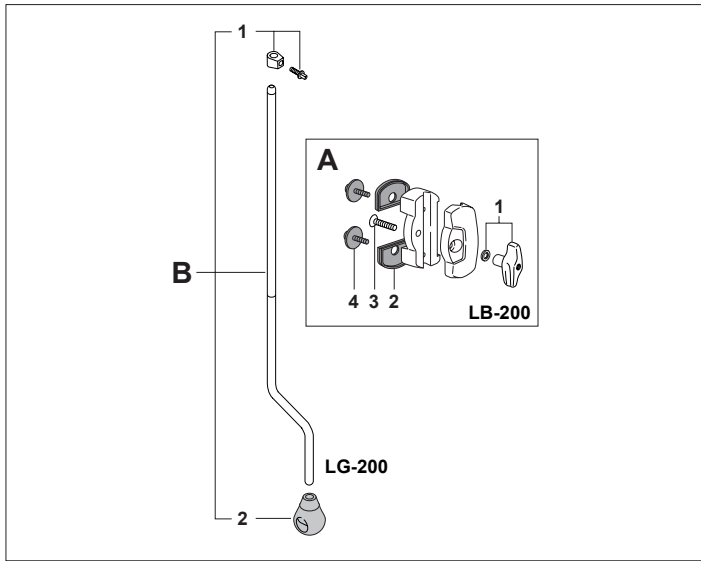
SP-70



- A SP-70A Spur Assy. Complete**
- 1 SP-20B Die-Cast Wing Nut w/Washer & Spring
 - 1-A UGN-8 Die-Cast Wing Nut w/Washer
 - 1-B SP-54 Spring
 - 2 UGB-610 Die-Cast Wing Bolt
 - 3 RHA-1T Lock Nut
 - 4 RHS-1R Rubber Tip
- B SPB-70A Spur Bracket Complete**
- 1 S-BA Mounting Screw w/Washer (one each)

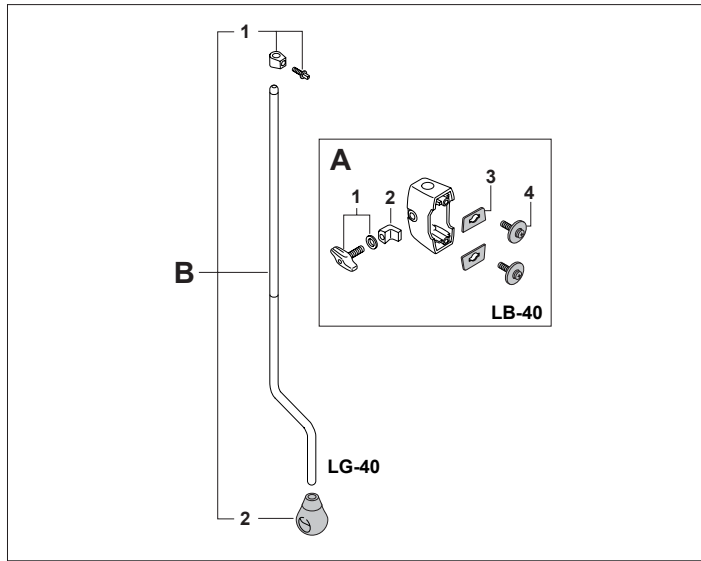
FLOOR TOM LEG BRACKETS & LEGS

LB-200/LG-200



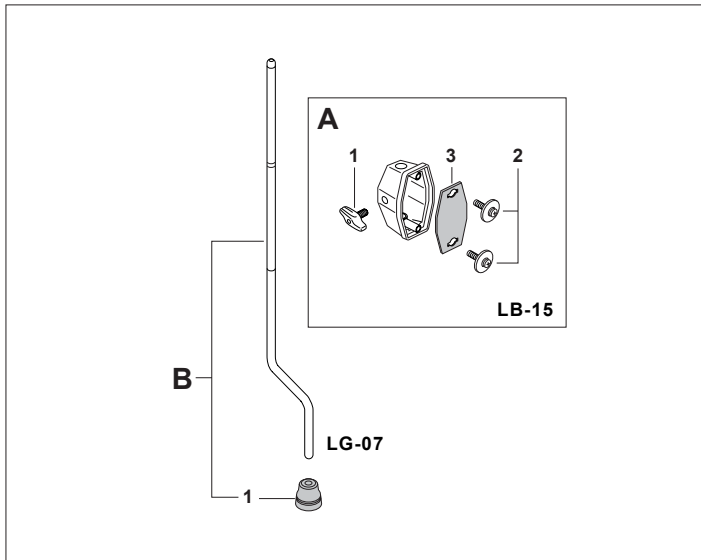
- A LB-200 Floor Tom Leg Bracket Assy. Complete**
 1 UGN-6 Die-Cast Wing Nut w/Washer
 2 NP-413 Rubber Gasket
 3 SC-365 Screw
 4 SM-514B Mounting Screw w/Washer (8ply)
- B LG-200 Floor Tom Leg Complete w/Stop Lock & Rubber Feet**
 1 LG-02S Stop Lock Complete
 2 R-40 Air Suspension Rubber Tip

LB-40/LG-40



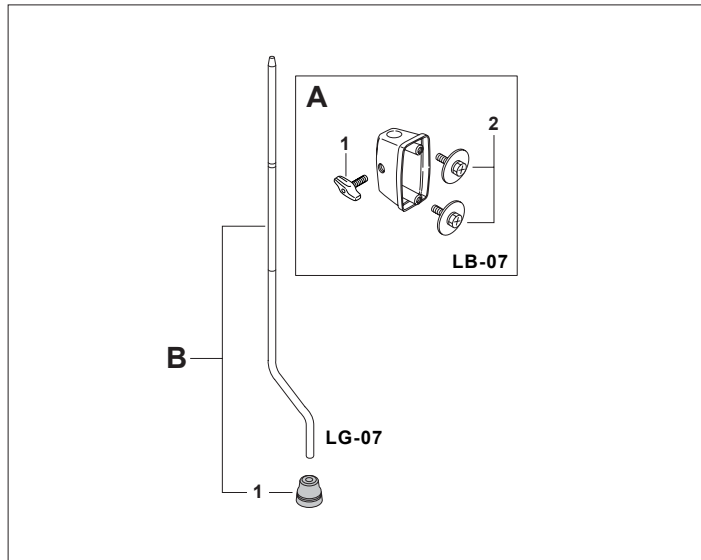
- A LB-40 Floor Tom Leg Bracket Assy. Complete**
 1 UGB-615 Die-Cast Wing Bolt w/Washer
 2 DC-337 Lock Nut
 3 NP-245P Rubber Gasket
 4 SM-512B Mounting Screw w/Washer (one each)
- B LG-40 Floor Tom Leg Complete w/Stop Lock & Rubber Feet**
 1 LG-04S Stop Lock Complete
 2 R-40 Air Suspension Rubber Tip

LB-15/LG-07



- A LB-15 Floor Tom Leg Bracket Assy. Complete**
 1 UGB-820 Die-Cast Wing Bolt
 2 SM-514 Mounting Screw w/Washer (one each)
 3 NP-341P Rubber Gasket
- B LG-07 Floor Tom Leg Complete w/Rubber Tip**
 1 R-5 Rubber Tip

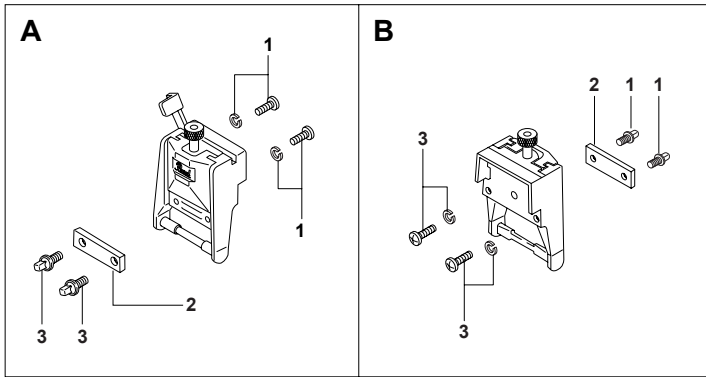
LB-07/LG-07



- A LB-07 Floor Tom Leg Bracket Assy. Complete**
 1 UGB-815 Die-Cast Wing Bolt
 2 LBS-3S Mounting Screw w/Washer (one each)
- B LG-07 Floor Tom Leg, Complete w/ Rubber Tip**
 1 R-5 Rubber Tip

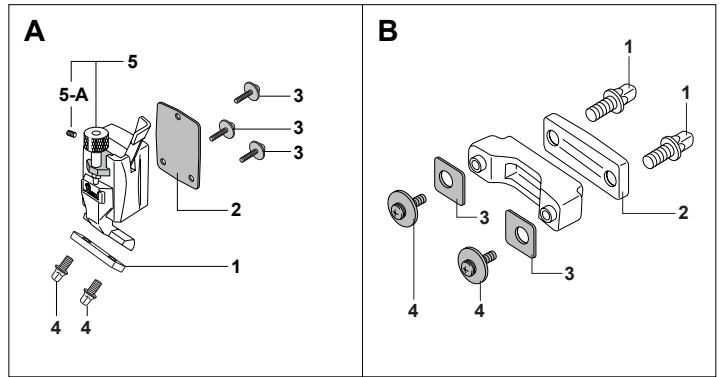
STRAINERS

SR-010



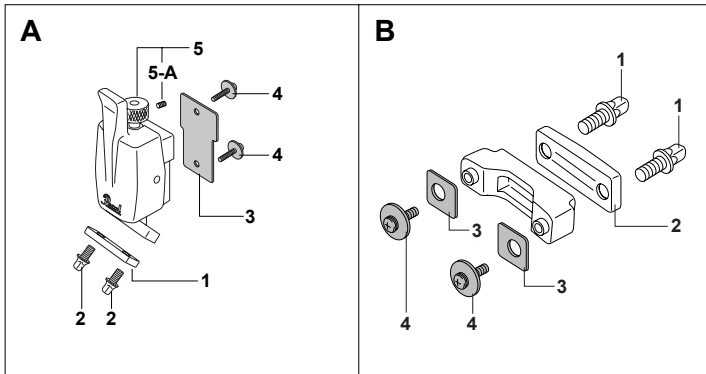
- | | |
|---|--|
| A SR-10A Release Side Assy. Complete | B SR-10B Butt Side Assy. Complete |
| 1 SN-612 Mounting Screw w/Washer (one set) | 1 KB-508 Key Bolt (one each) |
| 2 SR-16C Snare Mounting Plate | 2 SR-16C Snare Mounting Plate |
| 3 KB-508 Key Bolt (one each) | 3 SN-612 Mounting Screw w/Washer (one set) |

SR-012/012G



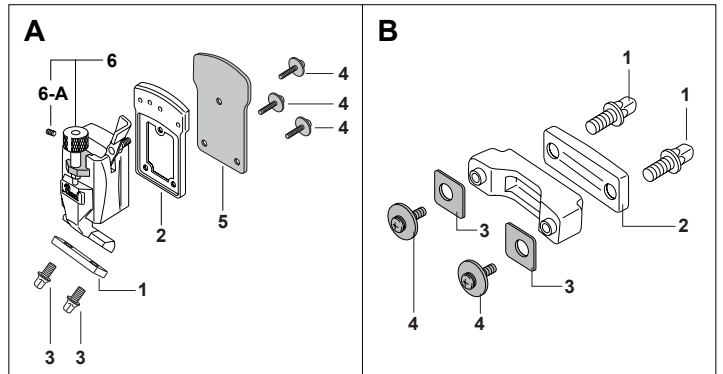
- | | |
|---|---|
| A SR-12A Release Side Assy. Complete | B SR-18E Butt Side Assy. Complete |
| 1 SR-12D Snare Mounting Plate | 1 KB-508 Key Bolt (one each) |
| 2 NP-329P Rubber Gasket | 2 SR-12D Snare Mounting Plate |
| 3 SM-414B Mounting Screw w/Washer (for 4 ply shell) | 3 NP-251P Rubber Gasket (one each) |
| SM-416B Mounting Screw w/Washer (for 6 ply shell) | 4 SM-411B Mounting Screw w/Washer (for 4 ply shell) |
| SM-409 Mounting Screw w/Washer (for Metal shell) | SM-414B Mounting Screw w/Washer (for 6 ply shell) |
| 4 KB-508 Key Bolt (one each) | SM-411C Mounting Screw w/Washer (for Metal shell) |
| 5 ME-226A Adjustment Bolt, Complete | |
| 5-A SB-44 Allen Screw | |

SR-015/015G



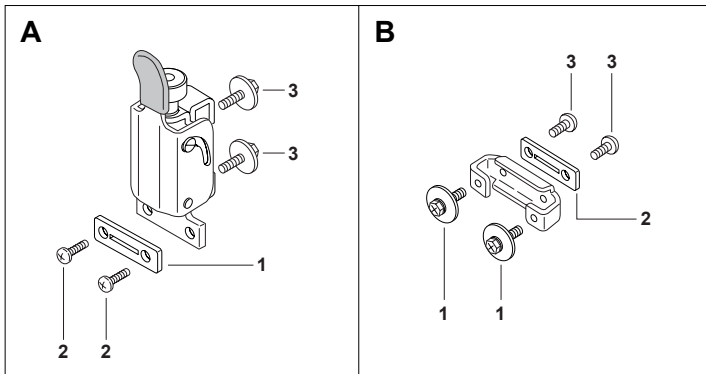
- | | |
|---|---|
| A SR-15A Release Side Assy. Complete | B SR-18E Butt Side Assy. Complete |
| 1 SR-12D Snare Mounting Plate | 1 KB-508 Key Bolt (one each) |
| 2 KB-508 Key Bolt (one each) | 2 SR-12D Snare Mounting Plate |
| 3 NP-248P Rubber Gasket | 3 GK-18SB Gasket (one each) |
| 4 SM-414B Mounting Screw w/Washer (for 4 ply shell) | 4 SM-411B Mounting Screw w/Washer (for 4 ply shell) |
| SM-416B Mounting Screw w/Washer (for 6 ply shell) | SM-414B Mounting Screw w/Washer (for 6 ply shell) |
| SM-418B Mounting Screw w/Washer (for 8 ply shell) | SM-416B Mounting Screw w/Washer (for 8 ply shell) |
| SM-409 Mounting Screw w/Washer (for Metal shell) | SM-411C Mounting Screw w/Washer (for Metal shell) |
| 5 ME-376A Adjustment Bolt, Complete | |
| 5-A SB-44 Allen Screw | |

SR-020/020G



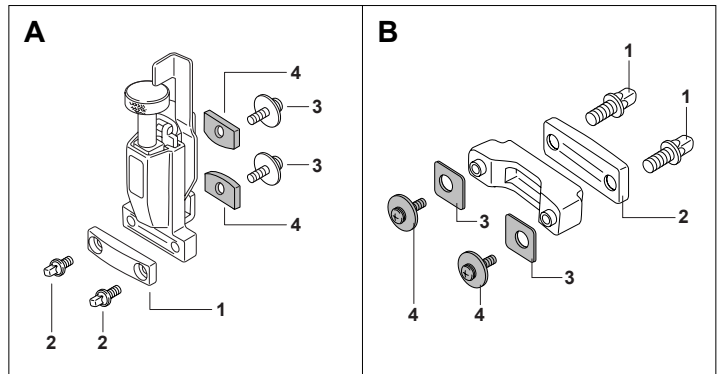
- | | |
|--|--|
| A SR-20A Release Side Assy. Complete | B SR-18E Butt Side Assy. Complete |
| 1 SR-12D Snare Mounting Plate | 1 KB-508 Key Bolt (one each) |
| 2 DC-408 Trace Plate | 2 SR-12D Snare Mounting Plate |
| 3 KB-508 Key Bolt (one each) | 3 NP-251P Rubber Gasket (one each) |
| 4 SM-418B Mounting Screw w/Washer (one each) | 4 SM-411B Mounting Screw w/Washer |
| 5 NP-328P Rubber Gasket | |
| 6 ME-226A Adjustment Bolt, Complete | |
| 6-A SB-44 Allen Screw | |

SR-013



- | | |
|---|--|
| A SR-13A Release Side Assy. Complete | B SR-13E Butt Side Assy. Complete |
| 1 PR-621 Snare Mounting Plate | 1 SM-416 Mounting Screw w/Washer (one set) |
| 2 SC-7C Screw (one each) | 2 PR-621 Snare Mounting Plate |
| 3 SM-416 Mounting Screw w/Washer (one set) | 3 SC-7C Screw (one each) |

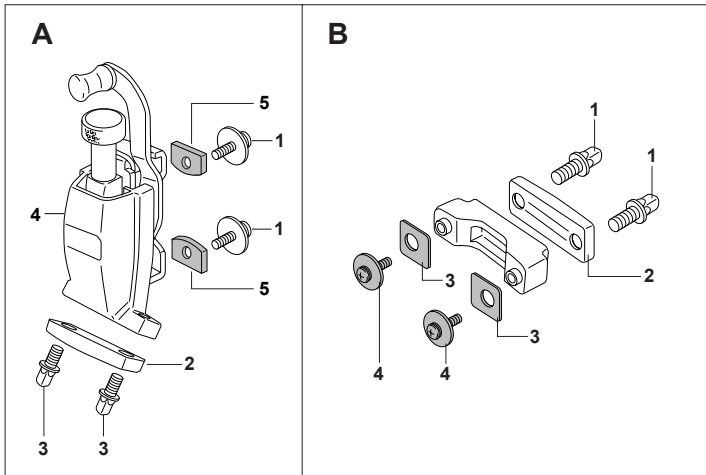
SR-014N



- | | |
|--|---|
| A SR-14A Release Side Assy. Complete | B SR-18E Butt Side Assy. Complete |
| 1 SR-12D Snare Mounting Plate | 1 KB-508 Key Bolt (one each) |
| 2 KB-508 Key Bolt (one each) | 2 SR-12D Snare Mounting Plate |
| 3 SM-514 Mounting Screw w/Washer (for 6 ply shell) | 3 NP-251P Rubber Gasket (one each) |
| SM-507 Mounting Screw w/Washer (for Metal shell) | 4 SM-414B Mounting Screw w/Washer (for 6 ply shell) |
| 4 NP-326P Rubber Gasket (one each) | SM-411C Mounting Screw w/Washer (for Metal shell) |

STRAINERS

SR-017



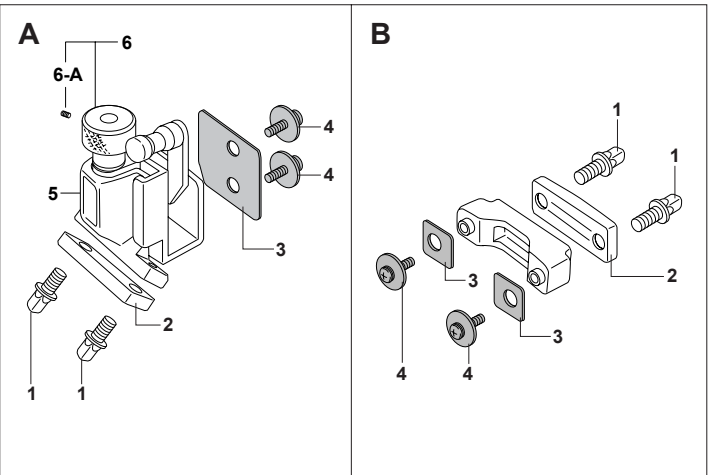
A SR-17A Release Side Assy. Complete

- 1 SM-513B Mounting Screw w/Washer (for 6 ply shell)
- SM-520B Mounting Screw w/Washer (for 10 ply shell)
- SM-507 Mounting Screw w/Washer (for Metal shell)
- SM-510 Mounting Screw w/Washer (for UCA Snare Drum)
- 2 SR-12D Snare Mounting Plate
- 3 KB-508 Key Bolt (one each)
- 4 DC-440 Strainer Cover
- 5 NP-249P Rubber Gasket (one each)

B SR-18E Butt Side Assy. Complete

- 1 KB-508 Key Bolt (one each)
- 2 SR-12D Snare Mounting Plate
- 3 NP-251P Rubber Gasket (one each)
- 4 SM-414B Mounting Screw w/Washer (for 6 ply shell)
- SM-420B Mounting Screw w/Washer (for 10 ply shell)
- SM-411C Mounting Screw w/Washer (for Metal shell)
- SM-409 Mounting Screw w/Washer (for UCA Snare Drum)

SR-018



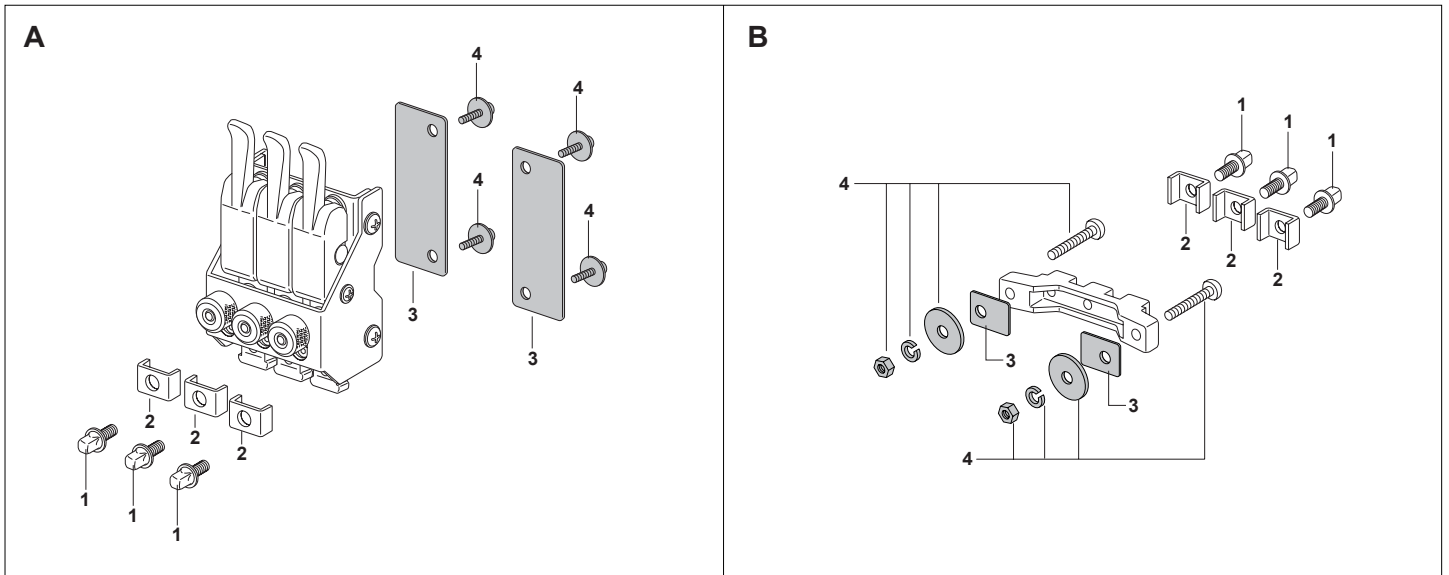
A SR-18A Release Side Assy. Complete

- 1 KB-508 Key Bolt (one each)
- 2 SR-12D Snare Mounting Plate
- 3 NP-250P Rubber Gasket
- 4 SM-414B Mounting Screw w/Washer (for 6 ply shell)
- SM-416B Mounting Screw w/Washer (for 8 ply shell)
- SM-411C Mounting Screw w/Washer (for Metal shell)
- 5 DC-457 Strainer Cover
- 6 ME-454A Adjustment Bolt, Complete
- 6-A SB-44 Allen Screw

B SR-18E Butt Side Assy. Complete

- 1 KB-508 Key Bolt (one each)
- 2 SR-12D Snare Mounting Plate
- 3 NP-251P Rubber Gasket (one each)
- 4 SM-414B Mounting Screw w/Washer (for 6 ply shell)
- SM-416B Mounting Screw w/Washer (for 8 ply shell)
- SM-411C Mounting Screw w/Washer (for Metal shell)

SR-300



A SR-300A Release Side Assy. Complete

- 1 KB-508 Key Bolt (one each)
- 2 DC-463 Snare Mounting Plate (one each)
- 3 GA-53 Gasket (one each)
- 4 SM-414B Mounting Screw w/Washer (one set)

B SR-300E Butt Side Assy. Complete

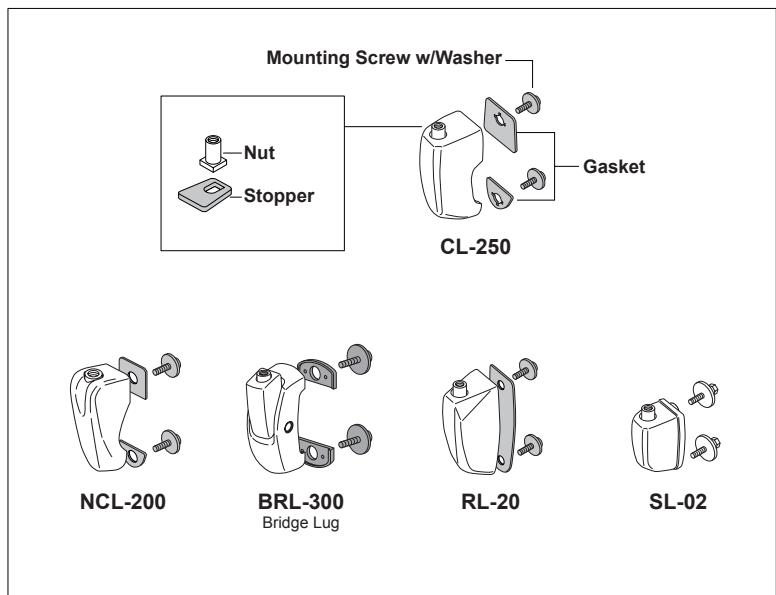
- 1 KB-508 Key Bolt (one each)
- 2 DC-463 Snare Mounting Plate (one each)
- 3 GA-52 Gasket (one each)
- 4 SC-508-AC Washer & Nut w/Mounting Screw (one set)

Snare Wires

Model#	Strands	Size	Material
S-022	20	14"	High Carbon Steel, Straps
S-022N	20	14"	High Carbon Steel, Cords
S-025	20	14" long	High Carbon Steel
S-029N	20	13"	High Carbon Steel
S-030N	24	14"	High Carbon Steel
S-031N	20	12"	High Carbon Steel
S-032N	12	10"	High Carbon Steel
S-033N	12	12"	High Carbon Steel
S-040	15	14"	Steel, thinner gauge
S-041	15	14"	Bronze, thicker gauge

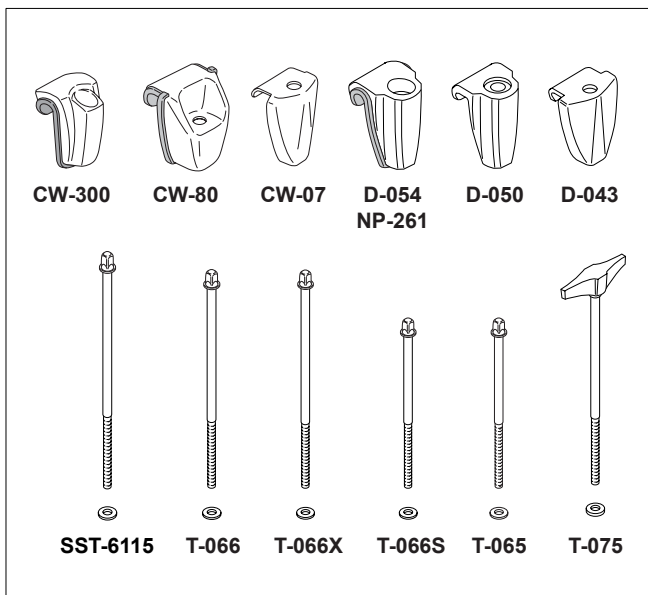
LUGS, BOLTS, TENSION CLAWS

Lugs for Bass Drum



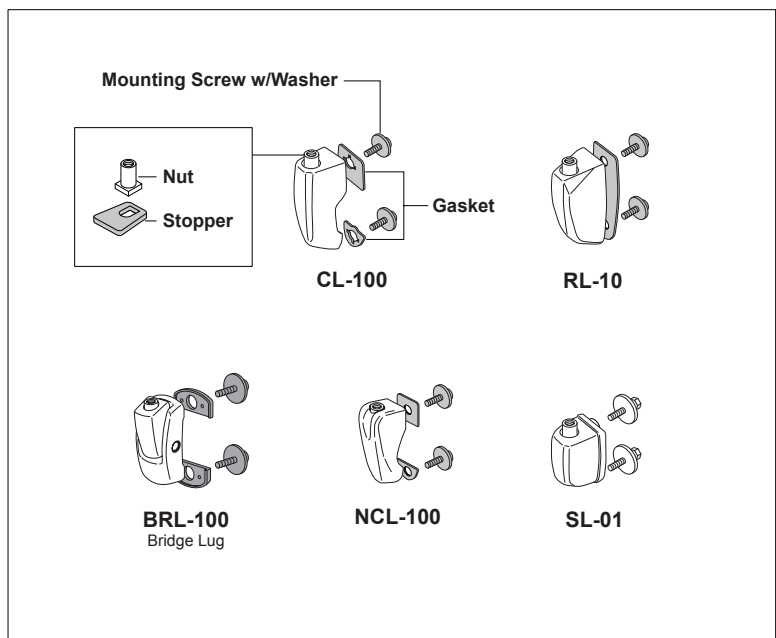
Number	Nut	Stopper	Gasket	Screw	Application
BRL-300	DC-5US	NP-408	NP-410P	SM-416B SM-414B	RF 8 PLY Bass Drum RF 6 PLY Bass Drum
NCL-200	DC-5BN	NP-225	NP-396P (Large) NP-397P (Small)	SM-414B	SMX/SBX/ELX/EXR/EX Bass Drum (2004~)
CL-250	DC-5US	NP-225	NP-262P (Large) NP-263P (Small)	SM-411B SM-414B	MMX/MHX 4PLY Bass Drum MRX/MSX 6PLY Bass Drum
RL-20	DC-5UN	NP-179N	NP-333P	SM-414B	ELX/EX Bass Drum (~2004)
SL-02	DC-6FE	NP-607	---	SM-411	FX Bass Drum

Bass Drum Tension Claws & Bolts



Number	Application
CW-300	RF
CW-80	EX (2004~)
CW-07	EX (~2004) / FX / RT
D-054	Masters / SMX / SBX Bass drums
NP-261	Rubber Base ONLY
D-050	SRX
D-043	ELX (~2004)
SST-6115	M6 x 115mm for Maters
T-066	M6 x 110mm
T-065	M6 x 90mm for SMX / SBX / ELX / EXR / EX Bass Drums (2004~)
T-066X	M5.8 x 110mm for FX
T-066S	M5.8 x 85mm for RT
T-075	M6 x 110mm T-rod

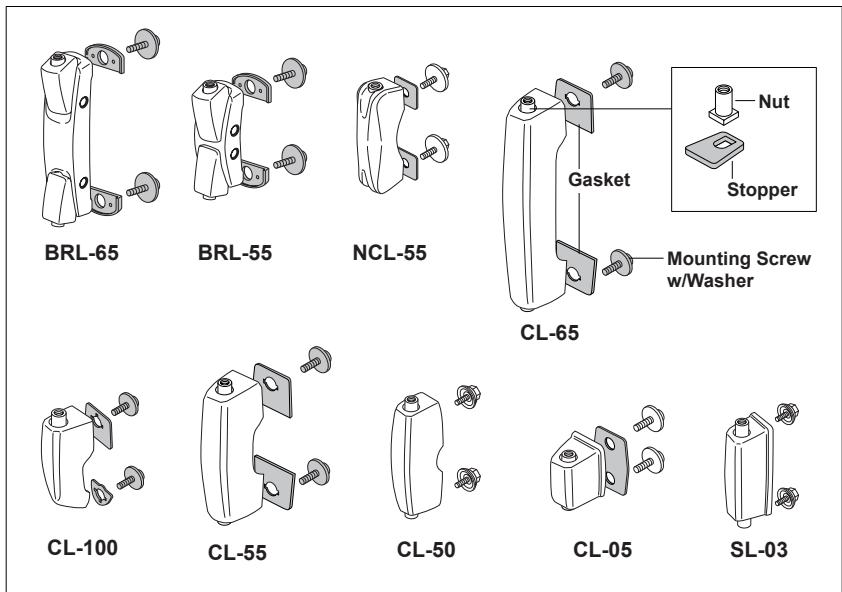
Lugs for Tom Toms



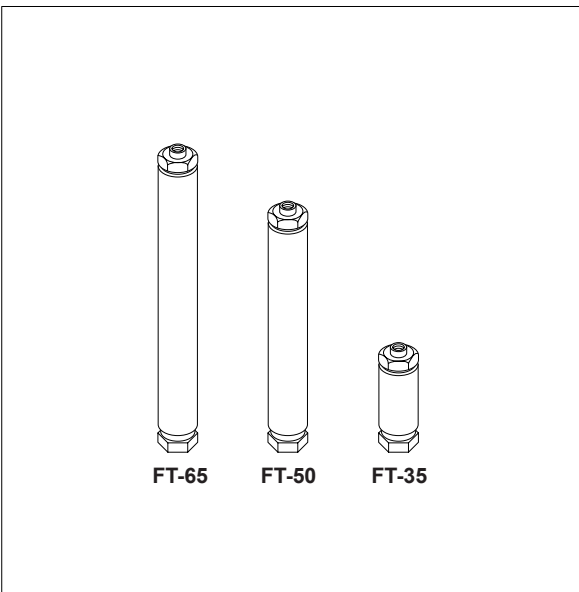
Number	Nut	Stopper	Gasket	Screw	Application
BRL-100	DC-6RS	NP-408	NP-410P (Large)	SM-416B SM-414B	RF 8 PLY Floor Tom RF 6 PLY Floor Tom
NCL-100	DC-6BN	NP-135N	NP-398P (Large) NP-399P (Small)	SM-414B	SMX/SBX/ELX/EXR/EX Toms (2004~)
CL-100	DC-6US	NP-135N	NP-240P (Large) NP-241P (Small)	SM-411B SM-414B	MMX/MHX 4PLY Toms MRX/BRX 6PLY Toms
RL-10	DC-6BN	NP-135N	NP-334P	SM-414B	ELX/EX Toms (~2004)
SL-01	DC-6FE	NP-135N	---	SM-411	FX Toms

LUGS & BOLTS

Lugs for Snare Drum



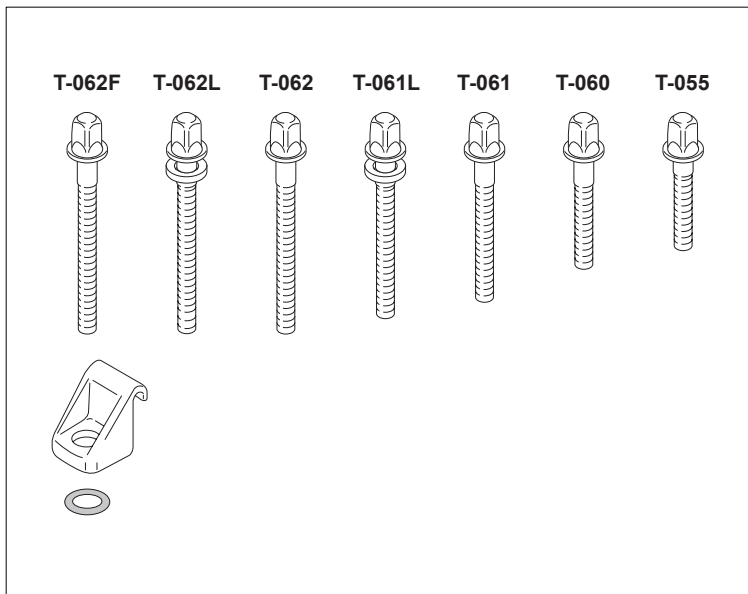
Tubes for "F.F.S" Snare Drum



Number	Nut	Stopper	Gasket	Screw				Application
BRL-65	DC-6RS	NP-408	NP-410P	METAL	WOOD 4PLY	WOOD 6PLY	RF 20PLY	
BRL-55	DC-6RS	NP-408	NP-410P	SM-411C	SM-411B	SM-414B	SM-432B	RF Snare Drum
NCL-55	DC-6BN	NP-81B	NP-400P	SM-411C	SM-411B	SM-414B	---	SMX/SBX/ELX/ERX/EX SD (2004~)
CL-100	DC-6US	NP-135N	NP-240P(Large) NP-241P(Small)	SM-411C	SM-411B	SM-414B	---	Masters 6.5" over deep
CL-65	DC-6US	NP-135N	NP-240P	SM-411C	SM-411B	SM-414B	---	6.5" deep
CL-55	DC-6US	NP-135N	NP-240P	SM-411C	SM-411B	SM-414B	---	5.5" deep
CL-50	DC-6BN	NP-135N	---	SM-411C	---	---	---	5.5" deep EX/ELX
CL-05	ME-256US	NP-135N	NP-257P	SM-411C	SM-411B	SM-414B	---	3" & 4" deep
SL-03	DC-6FE	NP-135N	---	SM-411C	---	SM-411	---	5.5" deep FX (~2004)

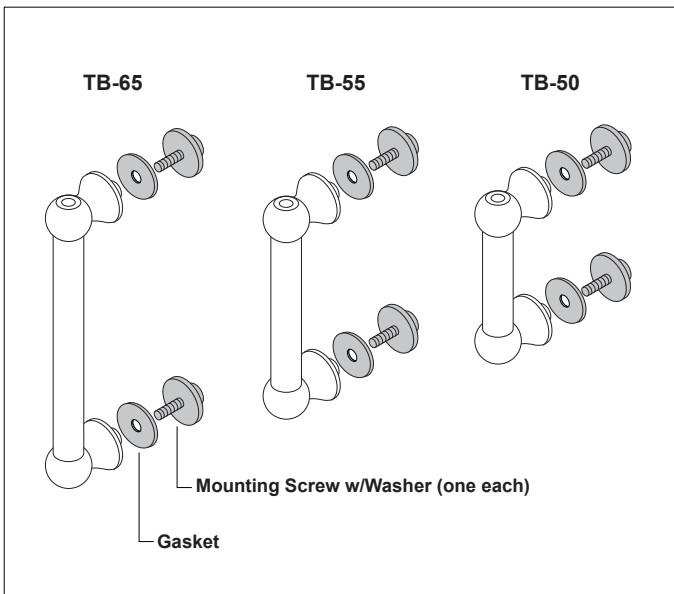
Number	Application
FT-35	Tube Assy. complete for 3.5" deep
FT-50	Tube Assy. complete for 5" deep
FT-65	Tube Assy. complete for 6.5" deep
FT-80	Tube Assy. complete for 8" deep

Tension Key Rods w/Washer



Number	Dia x Length	Application
T-062F/6	5.8mm x 52mm	w/Die-Cast Claw & Rubber O-Ring for SensiTone Classic snare drums (6/pkg)
T-062L/6	5.8mm x 57mm	EX/ELX 213D, 2116, 2118 (6/pkg)
T-062/6	5.8mm x 52mm	5.5" deep snare drums w/CL-55 lugs (6/pkg)
T-061L/6	5.8mm x 47mm	Masters, SRX, FX, RT toms / EX & ELX toms (other than 213D, 2116, 2118) / 5" deep snare drums w/CL-55 / 6.5" deep snare drums w/CL-65/CL-100 / 7" deep snare drums w/CL-100(6/pkg)
T-061/6	5.8mm x 42mm	4" deep snare drums (6/pkg)
T-060/6	5.8mm x 35mm	Free Floating System snare drums (6/pkg)
T-055/6	5.8mm x 28mm	3" deep snare drums (6/pkg)

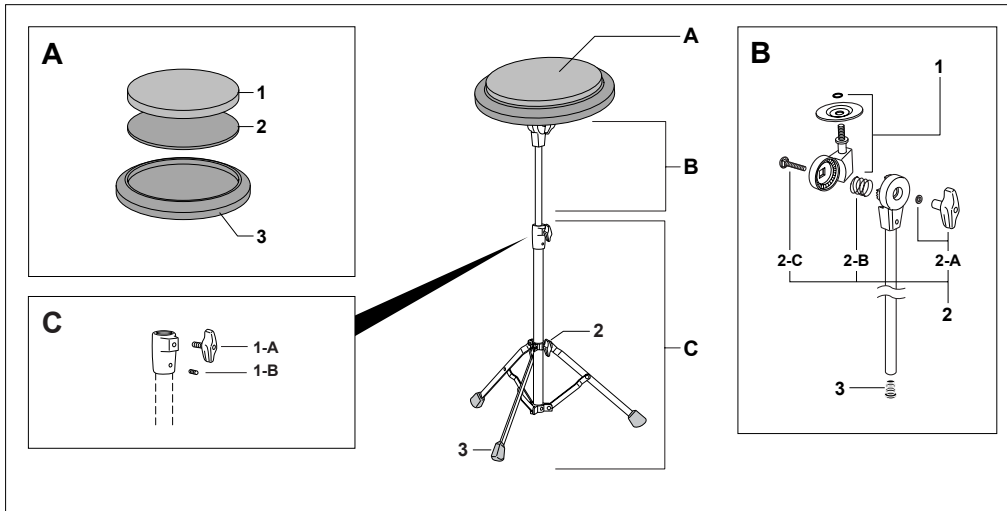
Tube Lugs



Number	Application
TB-50	Tube Lug Assy. complete for 5" deep: SensiTone ClassicII
TB-55	Tube Assy. complete for 5" deep: Symphonic snare drums
TB-65	Tube Assy. complete for 6.5" deep: Symphonic snare drums

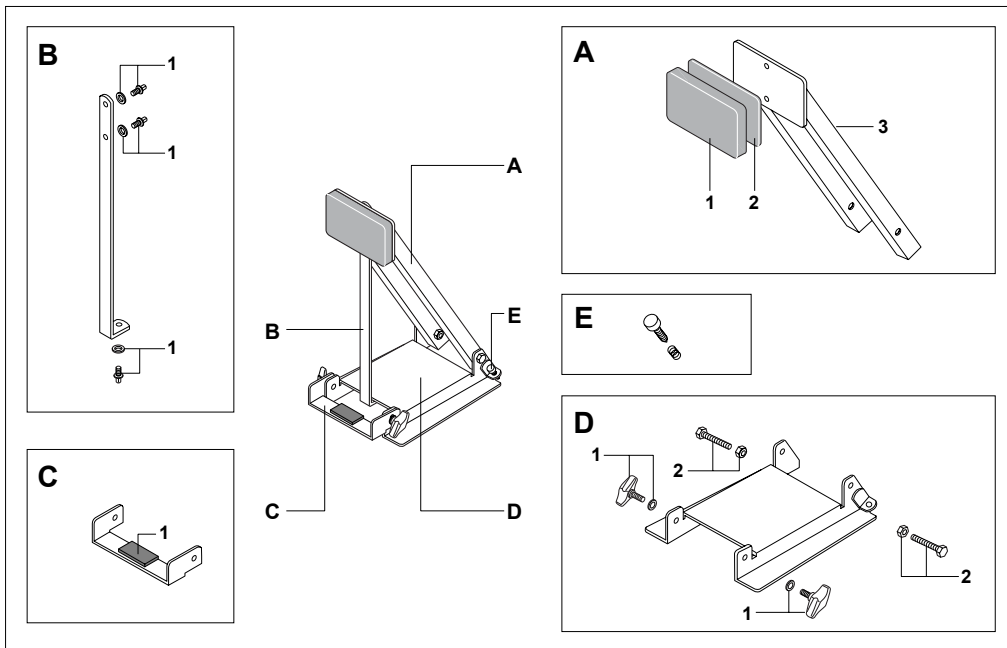
PRACTICE PADS

SD-50



- A PAD-80 Practice Pad Complete**
 1 NP-202 Rubber Pad
 2 NP-202N Rubber Cushion
 3 NP-203 Base
- B SDU-5A Upper Tube Assy. Complete**
 1 TL-70RDN Tilter w/Washer & Rubber O-Ring
 2 SN-70A Bolt & Nut Set w/Spring
 2-A UGN-8 Die-Cast Wing Nut w/Washer
 2-B SP-17 Spring
 2-C SC-33 Clamp Bolt
 3 NP-212 Plastic End Cap
- C BA-50SS Base Assy. Complete**
 1 DJ-40A Die-Cast Joint Assy. Complete
 1-A UGB-815 Wing Nut w/Washer
 1-B SB-44 Allen Screw
 2 UGB-815 Die-Cast Wing Bolt
 3 NP-12 Rubber Tip

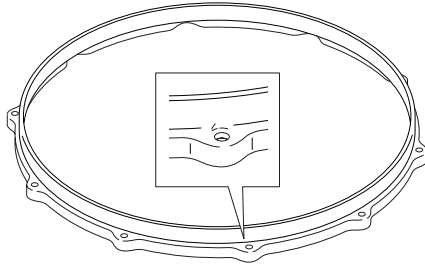
BD-10



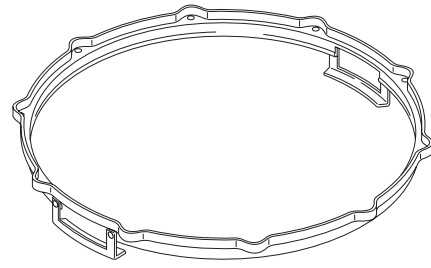
- A DP-10 Pad Assy. Complete**
 1 NP-201 Rubber Pad
 2 NP-201N Rubber Cushion
 3 DP-10B Base
- B BSB-10 Supporting Bar Assy. Complete**
 1 KB-610W Key Bolt w/Washer (one each)
- C CP-10 Clamp Plate Complete**
 1 NP-140 Rubber Protector
- D BFP-10 Floor Plate Assy. Complete**
 1 UGB-610 Die-Cast Wing Bolt w/Washer (one each)
 2 SC-144A Mounting Screw w/Nut (one each)
- E LT-636 Anchor Bolt w/Spring**

HOOPS

Die-Cast Hoops



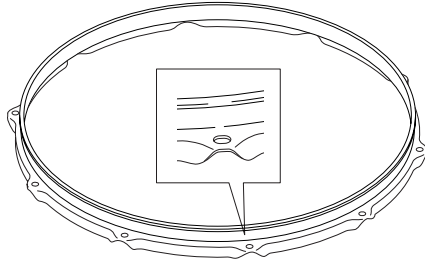
DC-1410



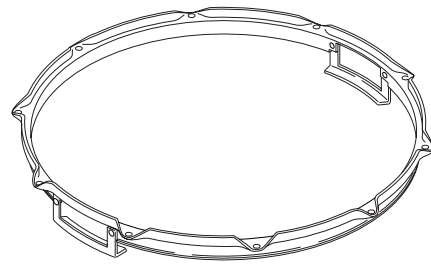
DC-1410SG

Number	Dia.	Description	Number	Dia.	Description
DC-0805	8"	5 rod	DC-1410	14"	10 rod
DC-1006	10"	6 rod	DC-1410S	14"	10 rod, snare side
DC-1206	12"	6 rod	DC-1410SG	14"	10 rod, snare side w/guard
DC-1306	13"	6 rod	DC-1508	15"	8 rod
DC-1408	14"	8 rod	DC-1608	16"	8 rod
DC-1408S	14"	8 rod, snare side	DC-1808	18"	8 rod

Super Hoop II, Regular Steel Hoops



SH-1410



SH-1410SG

Super Hoop II

Number	Dia.	Description	Number	Dia.	Description
SH-0604	6"	4 rod	SH-1408	14"	8 rod
SH-0805	8"	5 rod	SH-1410B	14"	10 rod, batter side
SH-1006	10"	6 rod	SH-1410S	14"	10 rod, snare side
SH-1006S	10"	6 rod, snare side	SH-1410SG	14"	10 rod, snare side w/guard
SH-1206	12"	6 rod	SH-1508	15"	8 rod
SH-1208	12"	8 rod	SH-1608	16"	8 rod
SH-1208S	12"	8 rod, snare side	SH-1808	18"	8 rod
SH-1306	13"	6 rod			

Regular Steel Hoops

Number	Dia.	Description	Number	Dia.	Description
RIM-0804	8"	4 rod	RIM-1408B	14"	8 rod, batter side
RIM-1006	10"	6 rod	RIM-1408S	14"	8 rod, snare side
RIM-1206	12"	6 rod	RIM-1410B	14"	10 rod, batter side
RIM-1306	13"	6 rod	RIM-1410S	14"	10 rod, snare side
RIM-1308	13"	8 rod, batter side	RIM-1606	16"	6 rod
RIM-1308S	13"	8 rod, snare side	RIM-1608	16"	8 rod
RIM-1406	14"	6 rod	RIM-1808	18"	8 rod

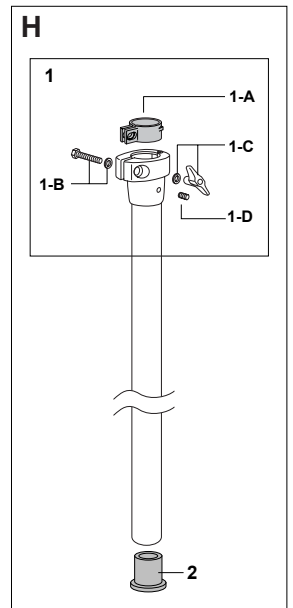
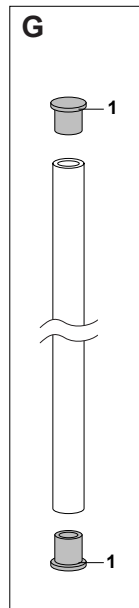
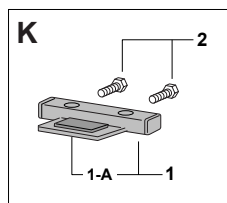
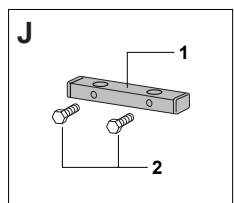
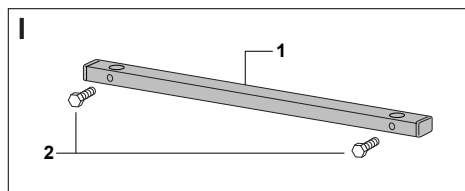
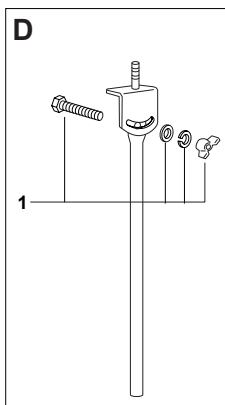
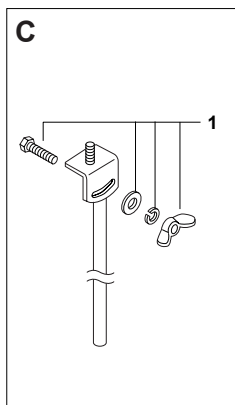
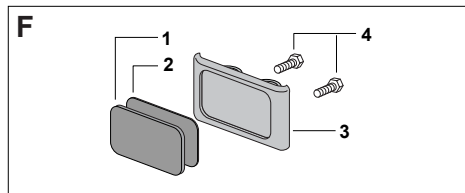
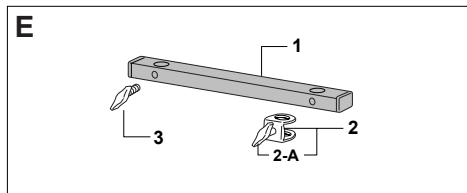
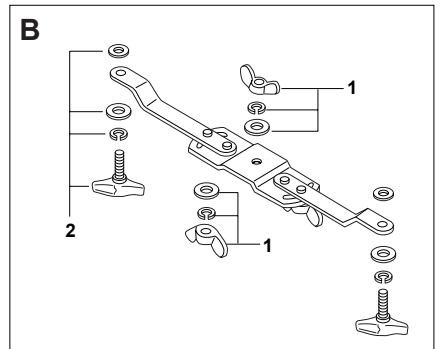
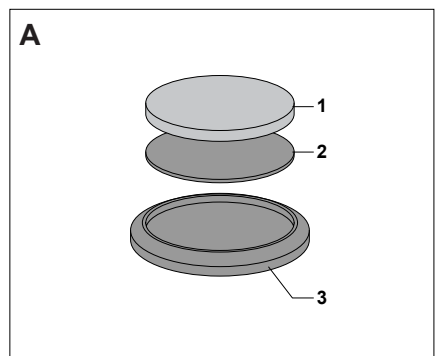
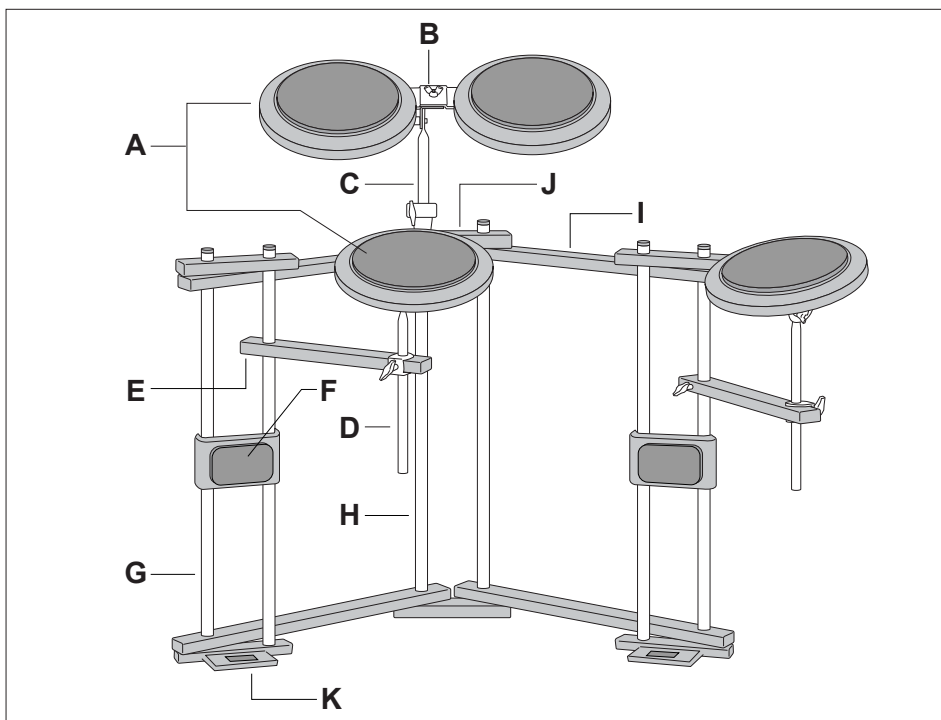
Bass Drum Hoops / Hoop Protector

Number	Dia.	Application	Number	Dia.	Application
RIM-18W	18"	MMX/MRX	ELXRIM-18	18"	ELX
RIM-20W	20"	MMX/MRX	ELXRIM-20	20"	ELX
RIM-22W	22"	MMX/MRX	ELXRIM-22	22"	ELX
RIM-24W	24"	MMX/MRX	ELXRIM-24	24"	ELX
MHXRIM-18	18"	MHX	EXRRIM-18	18"	EXR
MHXRIM-20	20"	MHX	EXRRIM-20	20"	EXR
MHXRIM-22	22"	MHX	EXRRIM-22	22"	EXR
MHXRIM-24	24"	MHX	EXRRIM-24	24"	EXR
BRXRIM-18	18"	BRX	EXRIM-18	18"	EX
BRXRIM-20	20"	BRX	EXRIM-20	20"	EX
BRXRIM-22	22"	BRX	EXRIM-22	22"	EX
BRXRIM-24	24"	BRX	EXRIM-24	24"	EX
MSXRIM-18	18"	MSX	RIM-18RB	18"	EX/FX/RT
MSXRIM-20	20"	MSX	RIM-22RB	22"	EX/FX/RT
MSXRIM-22	22"	MSX	RIM-24RB	24"	EX/FX/RT
MSXRIM-24	24"	MSX			
SMXRIM-18	18"	SMX			
SMXRIM-20	20"	SMX			
SMXRIM-22	22"	SMX			
SMXRIM-24	24"	SMX			
SBXRIM-18	18"	SBX			
SBXRIM-20	20"	SBX			
SBXRIM-22	22"	SBX			
SBXRIM-24	24"	SBX			

Number	Application
HPP-2	Hoop Protector for Wooden Hoop
NP-01	Hoop Protector for Metal BD Hoop

PRACTICE KITS

TK-200



- A PAD-8 Practice Pad Complete**
- 1 NP-202 Rubber Pad
- 2 NP-202N Rubber Cushion
- 3 NP-203 Base
- B TKM-10A Twin Pad Receiver Assy. Complete**
- 1 M-8K Die-Cast Wing Nut w/Washers (one set)
- 2 M-820TK Die-Cast Wing Bolt w/Washers (one set)
- C TKM-10S Twin Pad Mounting Tube Assy. Complete**
- 1 SN-6TK Clamp Bolt Set
- D TKP-10S Pad Holder Assy. Complete**
- 1 SN-6TK Clamp Bolt Set
- E PP-160AA Pad Mounting Bar Assy. Complete**
- 1 PP-160A Pad Mounting Bar w/Steel Bushings
- 2 TKM-68 Tube Bracket Assy.
- 2-A M-815N Die-Cast Wing Bolt
- 3 M-815N Die-Cast Wing Bolt

- F PAD-8P Bass Drum Pad Assy. Complete**
- 1 NP-211 Rubber Pad
- 2 NP-211N Rubber Cushion
- 3 NP-205 Base
- 4 SC-262 Hexagonal Bolt (one each)
- G PP-34A Connecting Tube Assy. Complete**
- 1 NP-164 Plastic End Cap (one each)
- H PP-162A Center Tube Assy. Complete**
- 1 DJ-50A Die-Cast Joint Assy. Complete
- 1-A NB-5N Nylon Bushing
- 1-B SN-635 Clamp Bolt w/Nylon Washer
- 1-C M-6N Die-Cast Wing Nut w/Washer
- 1-D SB-44 Allen Screw
- 2 NP-164 Plastic End Cap

- I PP-159AA Connecting Bar Assy. Complete**
- 1 PP-159A Connecting Bar w/Steel Bushings
- 2 SC-262 Hexagonal Bolt (one each)
- J PP-161AA Connecting Bar Assy. Complete**
- 1 PP-161A Connecting Bar w/Steel Bushings
- 2 SC-262 Hexagonal Bolt (one each)
- K PP-162AA Pedal Clamp Assy. Complete**
- 1 PP-162A Pedal Clamp w/Rubber Protector
- 1-A NP-140 Rubber Protector
- 2 SC-262 Hexagonal Bolt (one each)