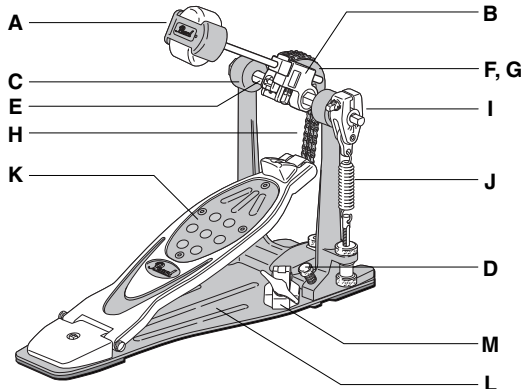


*Pearl*<sup>®</sup>

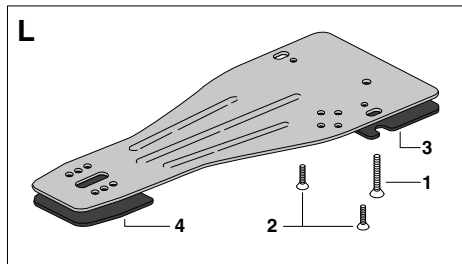
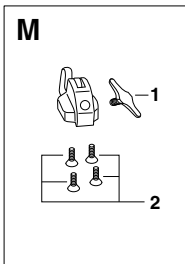
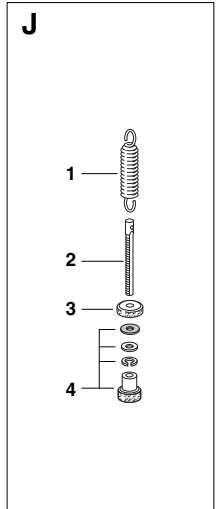
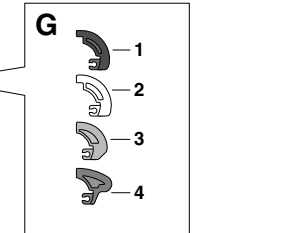
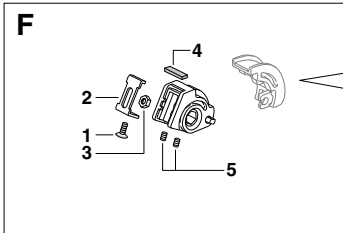
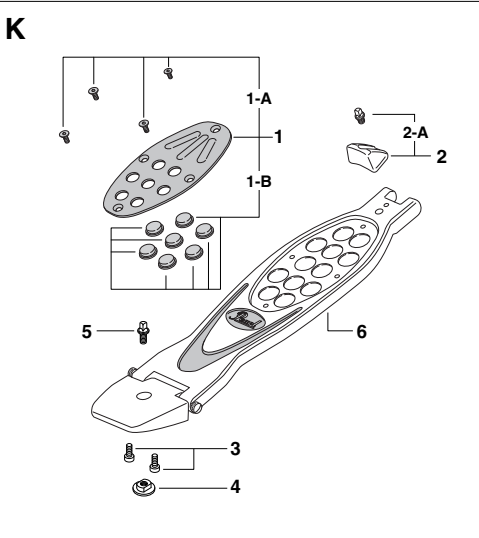
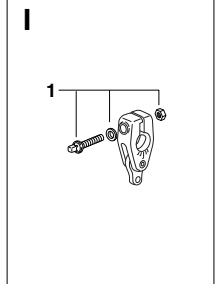
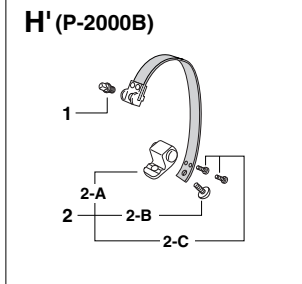
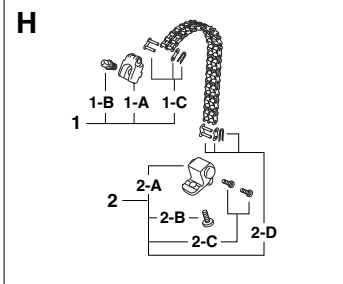
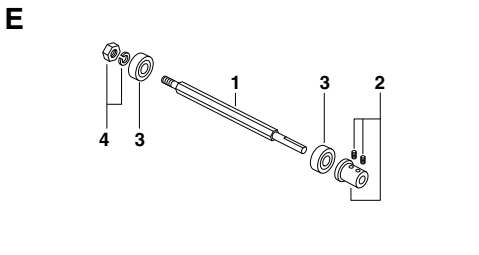
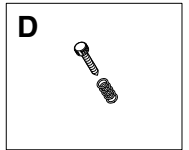
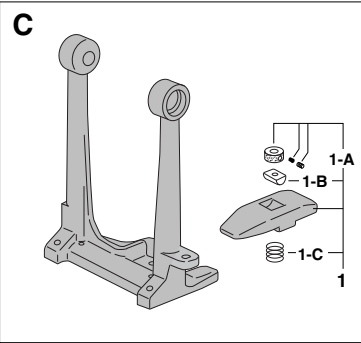
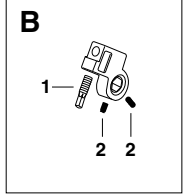
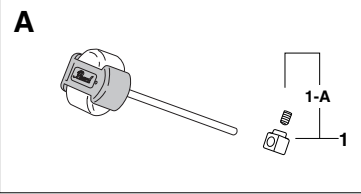
PEARL DRUMS  
Spare Parts Catalog  
2003

# DRUM PEDALS

## P-2000C / P-2000B



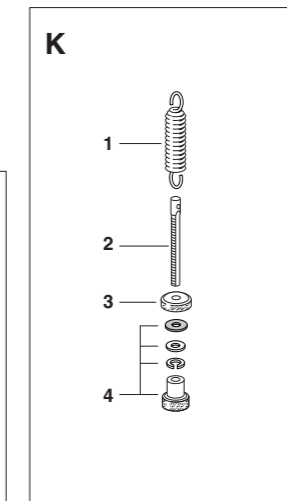
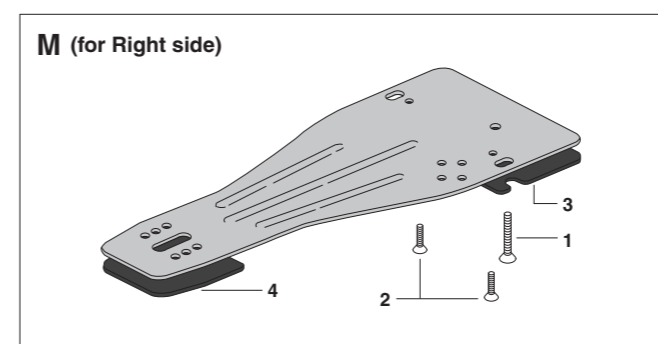
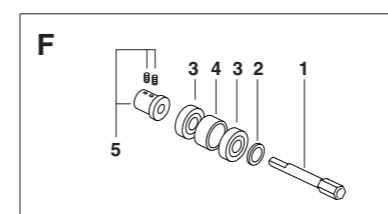
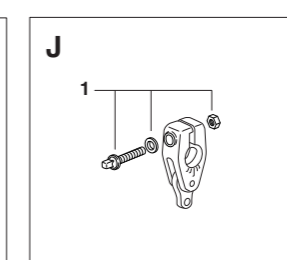
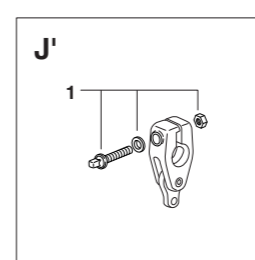
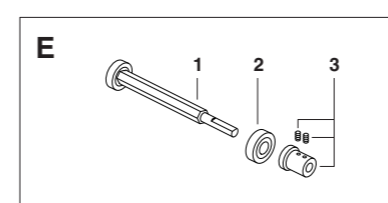
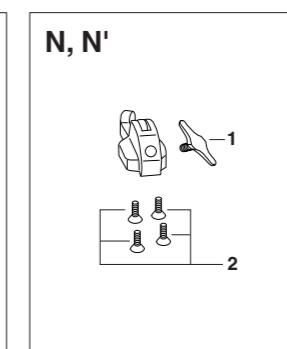
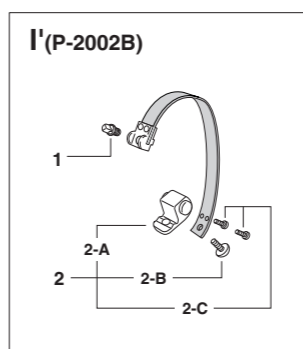
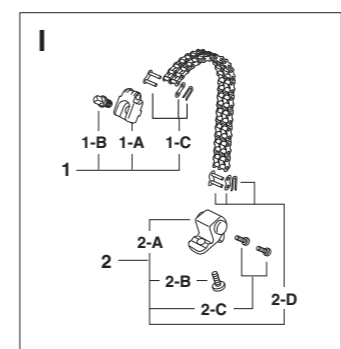
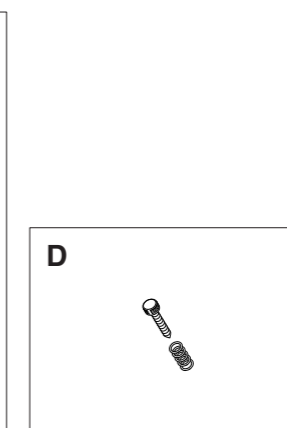
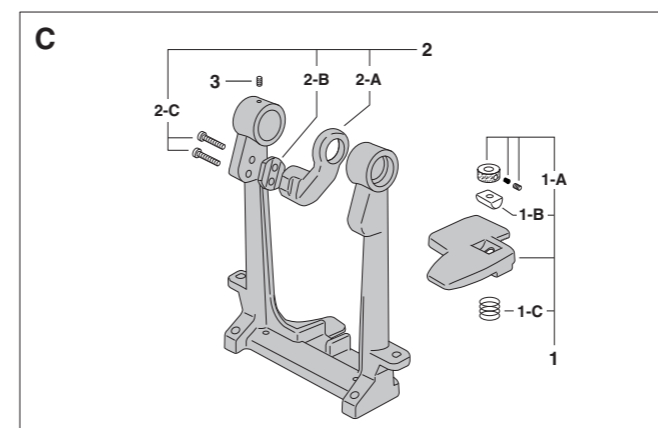
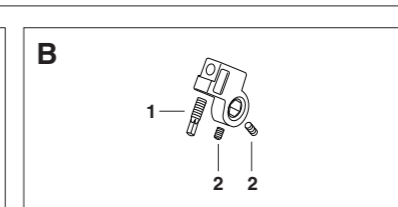
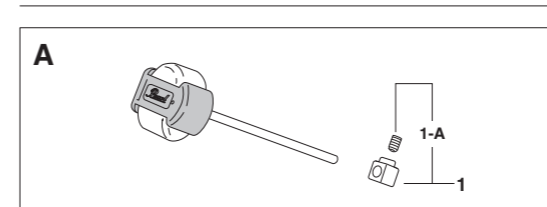
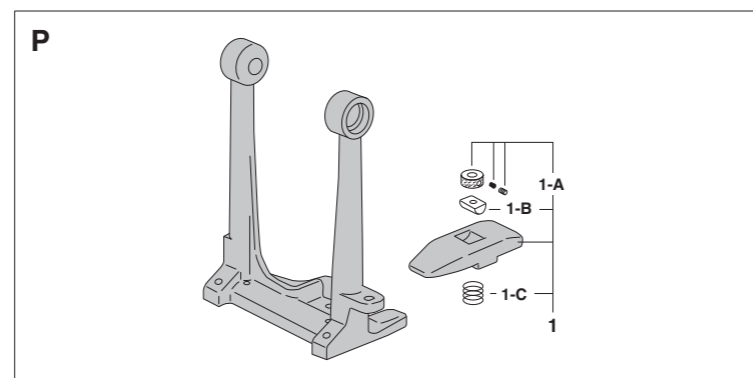
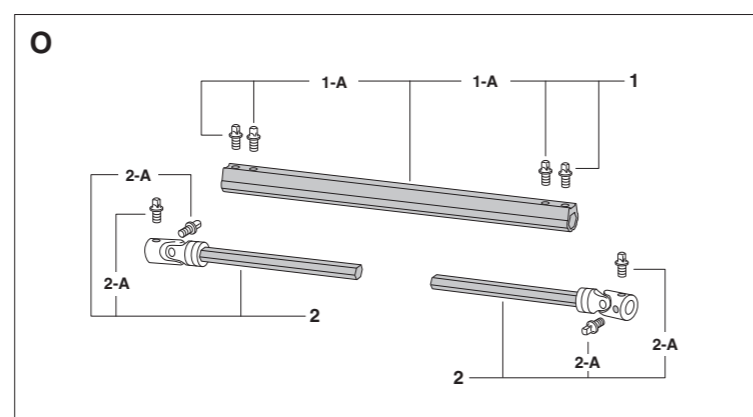
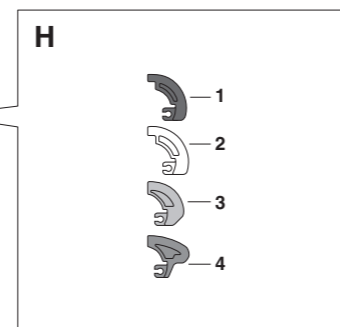
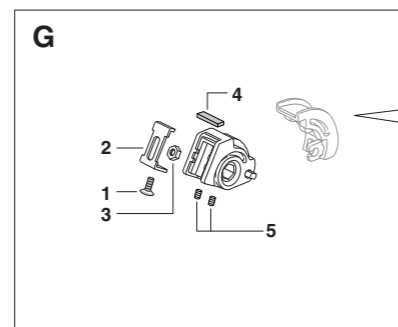
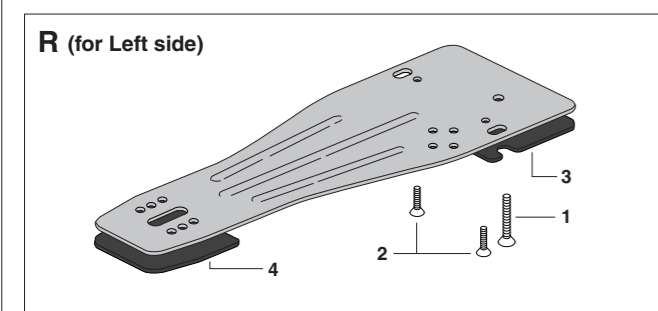
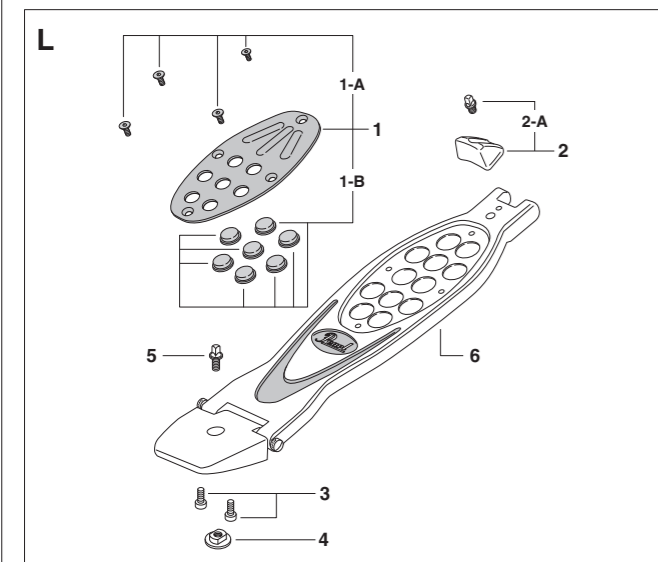
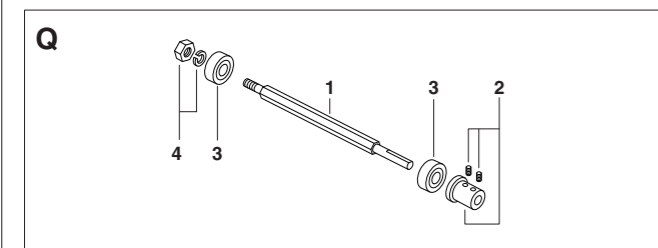
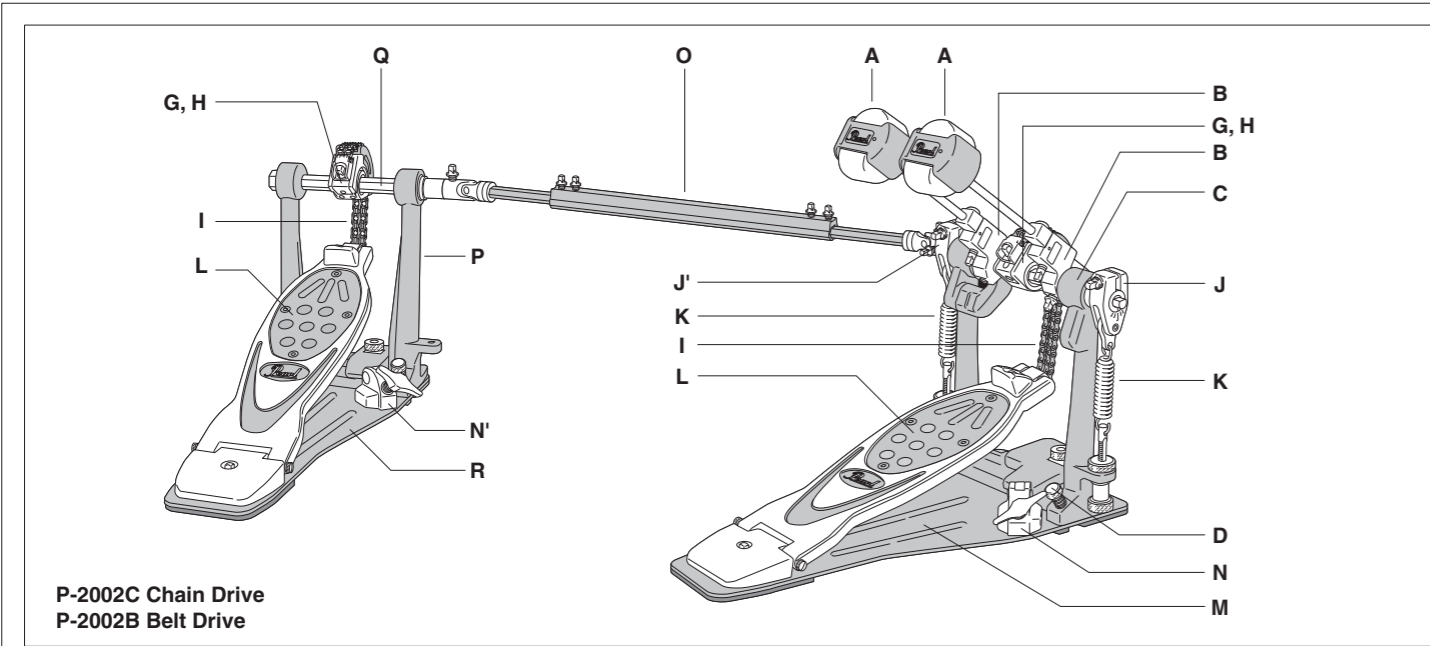
P-2000C Chain Drive  
P-2000B Belt Drive



- |          |                 |                                      |           |                 |                                              |          |                 |                                      |
|----------|-----------------|--------------------------------------|-----------|-----------------|----------------------------------------------|----------|-----------------|--------------------------------------|
| <b>A</b> | <b>B-200QB</b>  | <b>Quad Beater, Complete</b>         | <b>G</b>  | <b>CAM-BK</b>   | <b>Black Cam</b>                             | <b>J</b> | <b>SPA-64N</b>  | <b>Spring Assy. Complete</b>         |
| 1        | DC-394A         | Beater Setting Stopper Assy.         | 1         | CAM-WT          | White Cam                                    | 1        | SP-64F          | Spring (w/Felt) ONLY                 |
| 1-A      | SB-66           | Allen Screw                          | 2         | CAM-BL          | Blue Cam                                     | 2        | ME-499          | Adjustment Bolt                      |
| <b>B</b> | <b>DC-395NA</b> | <b>Beater Holder Link, complete</b>  | 3         | CAM-RD          | Red Cam                                      | 3        | ME-500          | Upper Nut                            |
| 1        | KB-814          | Key Bolt                             | 4         | ME-244          | Chain End Connector Assy.                    | 4        | ME-391NA        | Lower Nut w/Washers                  |
| 2        | SB-66           | Allen Screw                          | <b>H</b>  | <b>CCA-5</b>    | <b>Double Chain Assy. Complete / P-2000C</b> | <b>K</b> | <b>FB-2000A</b> | <b>Footboard Assy. Complete</b>      |
| <b>C</b> | <b>DC-513A</b>  | <b>Pedal Frame w/Hoop Clamp</b>      | 1         | DC-511AA        | Chain Connecting Bracket Assy. (Top)         | 1        | AL-24A          | Traction Plate Assy.                 |
| 1        | DC-514A         | Hoop Clamp Assy.                     | 1-A       | DC-511A         | Chain Connecting Bracket Only (Top)          | 1-A      | SC-344          | Mounting Screw (one each)            |
| 1-A      | ME-505A         | Adjustment Knob Assy.                | 1-B       | KB-508          | Key Bolt (short)                             | 1-B      | NP-283N         | Traction Grip                        |
| 1-B      | ME-507          | Pivot block                          | 2         | ME-244          | Chain End Connector Assy.                    | 2        | DC-508A         | Toe Stopper Assy.                    |
| 1-C      | SP-032          | Spring                               | 2-C       | DC-511BA        | Chain Connecting Bracket Assy. (Bottom)      | 2-A      | KB-508          | Key bolt                             |
| <b>D</b> | <b>LT-636</b>   | <b>Anchor Screw w/Spring</b>         | 2-A       | DC-511B         | Chain Connecting Bracket Only (Bottom)       | 3        | SC-261          | Screw (one each)                     |
| <b>E</b> | <b>ME-501A</b>  | <b>Hexagonal Axle Assy.</b>          | 2-B       | SC-322S         | Screw                                        | 4        | DC-398          | Heel Position Adjust Nut             |
| 1        | ME-501          | Hexagonal Axle ONLY                  | 2-C       | SC-284          | Screw (one each)                             | 5        | KB-608          | Key Bolt                             |
| 2        | ME-393N         | Axle Sleeve w/Set Screws             | 2-D       | ME-244          | Chain End Connector Assy.                    | 6        | DC-512SN        | Footboard Assy. ONLY                 |
| 3        | NU-07B          | Bearing (one each)                   | <b>H'</b> | <b>BCA-1</b>    | <b>Belt Assy. Complete / P-2000B</b>         | <b>L</b> | <b>PR-548A</b>  | <b>Power Plate Assy. Complete</b>    |
| 4        | BSA-3           | End Nut w/Washer                     | 1         | KB-512          | Key Bolt (long)                              | 1        | SC-325          | Screw                                |
| <b>F</b> | <b>DC-509A</b>  | <b>Aluminum Wheel Assy. Complete</b> | 2         | DC-510BA        | End Connector Assy. (Bottom)                 | 2        | SC-149          | Screw (one each)                     |
| 1        | SC-327          | Flat-head Screw                      | 2-A       | DC-510B         | End Connector ONLY                           | 3        | NP-284S         | Rubber Mat (Front)                   |
| 2        | PR-546          | Slider Bracket                       | 2-B       | SC-322L         | Screw                                        | 4        | NP-285          | Rubber Mat (Heel)                    |
| 3        | NU-10           | Hexagonal Nut                        | 2-C       | SC-287          | Screw (one each)                             | <b>M</b> | <b>DC-399S</b>  | <b>Hoop Clamp Cam Assy. Complete</b> |
| 4        | FE-40C          | Felt                                 | <b>I</b>  | <b>DC-396NA</b> | <b>Uni-Lock Beater Angle Cam, Complete</b>   | 1        | M-820C          | Wing Bolt                            |
| 5        | SB-66           | Allen Screw (one each)               | 1         | KB-630A         | Bolt & Nut Set                               | 2        | SC-191BN        | Screw (one each)                     |

# DRUM PEDALS

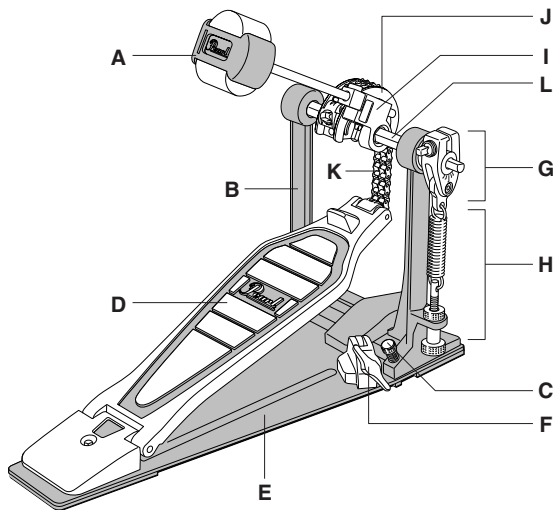
## P-2002C / P-2002B



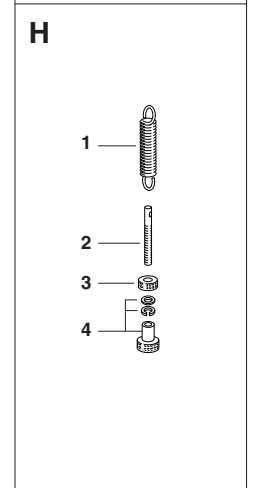
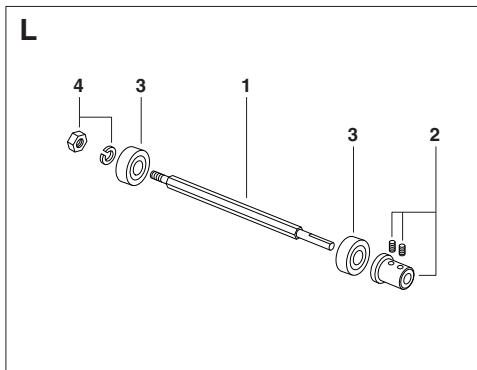
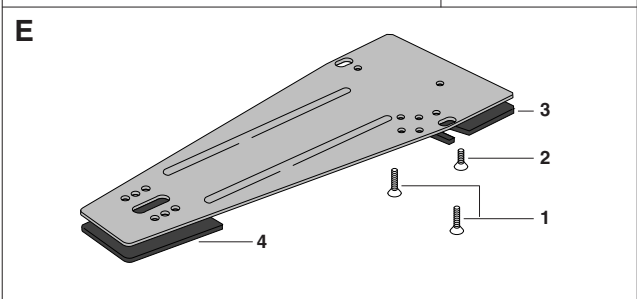
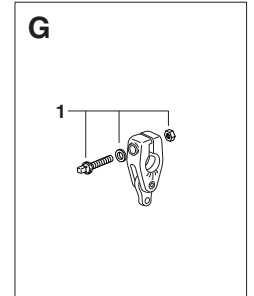
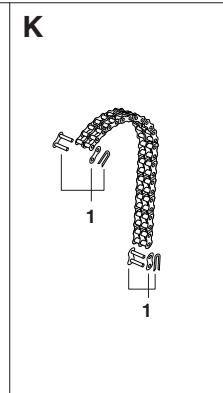
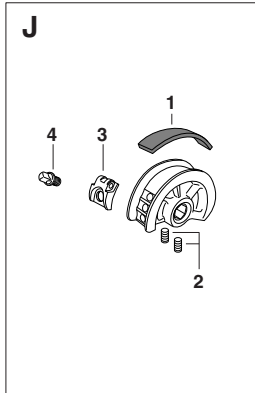
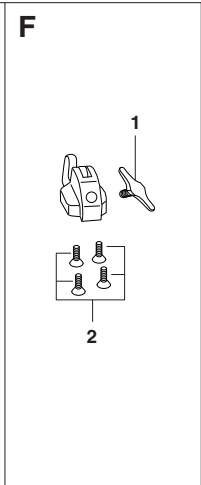
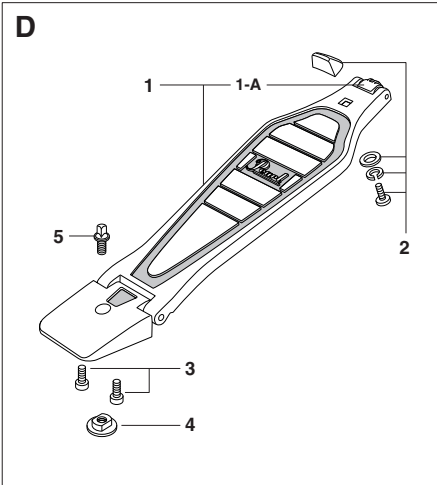
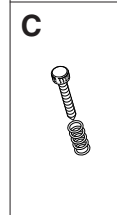
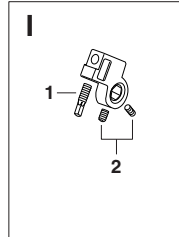
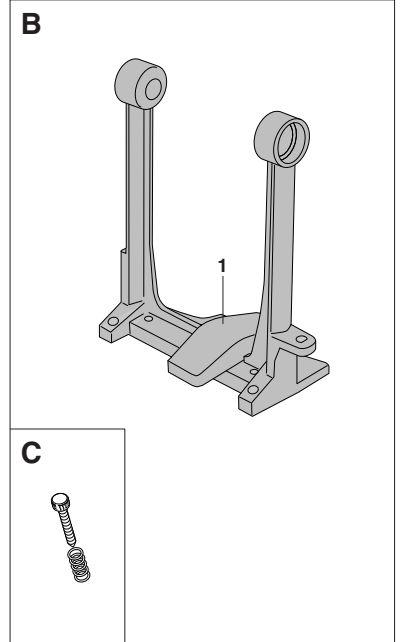
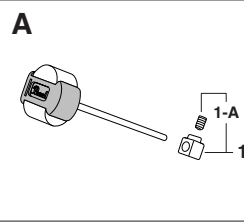
- A** **B-200QB** Quad Beater Complete
- 1 DC-394A Beater Setting Stopper Assy.
- 1-A SB-66 Allen Screw
- B** **DC-395NA** Beater Holder Link Complete
- 1 KB-814 Key Bolt
- 2 SB-66 Allen Screw
- C** **DC-515A** Pedal Frame w/Hoop Clamp
- 1 DC-517A Hoop Clamp Assy.
- 1-A ME-505A Adjustment Knob Assy.
- 1-B ME-507 Pivot Block
- 1-C SP-032 Spring
- 2 ASA-2000A Axle Support Arm Assy. Complete
- 2-A DC-516 Axle Support Arm
- 2-B DC-314NA Axle Support Arm Spacer
- 2-C SC-222 Screw (one each)
- 3 SB-44 Allen Screw
- D** **LT-636** Anchor Screw w/Spring
- E** **ME-503A** Hexagonal Axle Assy.
- 1 ME-503B Hexagonal Axle w/bearing ONLY
- 2 NU-07B Bearing (one each)
- 3 ME-393N Axle Sleeve w/Set Screws
- F** **DC-502A** Hexagonal Axle Screws
- 1 ME-502 Hexagonal Axle ONLY
- 2 WS-49 Washer
- 3 NU-07B Bearing
- 4 ME-506 Bearing Spacer
- 5 ME-393N Axle Sleeve w/Set Screws
- G** **DC-509A** Aluminum Wheel Assy. Complete
- 1 SC-327 Flat-head Screw
- 2 PR-546 Slider Bracket
- 3 NU-10 Hexagonal Nut
- 4 FE-40C Felt
- 5 SB-66 Allen Screw (one each)
- H** **Interchangeable Cam**
- 1 CAM-BK Black Cam
- 2 CAM-WT White Cam
- 3 CAM-BL Blue Cam
- 4 CAM-RD Red Cam
- I** **CCA-5** Double Chain Assy. Complete / P-2002C
- 1 DC-511AA End Connector Assy. (Top)
- 1-A DC-511A End Connector Only (Top)
- 1-B KB-508 Key Bolt (short)
- 1-C ME-244 Chain End Connector Assy.
- 2 DC-511BA End Connector Assy. (Bottom)
- 2-A DC-511B End Connector Only (Bottom)
- 2-B SC-322S Screw
- 2-C SC-284 Screw (one each)
- 2-D ME-244 Chain End Connector Assy.
- I'** **BCA-1** Belt Assy. Complete / P-2002B
- 1 KB-512 Key Bolt (long)
- 2 DC-510BA End Connector Assy. (Bottom)
- 2-A DC-510B End Connector Only
- 2-B SC-322L Screw
- 2-C SC-287 Screw (one each)
- J** **DC-396NA** Uni-Lock Beater Angle Cam Complete
- 1 KB-630A Bolt & Nut Set
- J'** **DC-396NAL** Uni-Lock Beater Angle Cam Complete (Left Side)
- 1 KB-630A Bolt & Nut Set
- K** **SPA-64AN** Spring Assy. Complete
- 1 SP-64F Spring (w/Felt) ONLY
- 2 ME-499 Adjustment Bolt
- 3 ME-500 Upper Nut
- 4 ME-391NA Lower Nut w/Washers
- L** **FB-2000A** Footboard Assy. Complete
- 1 AL-24A Traction Plate Assy.
- 1-A SC-344 Mounting Screw (one each)
- 1-B NP-283N Traction Grip
- 2 DC-508A Toe Stopper Assy.
- 2-A KB-508 Key Bolt
- 3 SC-261 Screw (one each)
- 4 DC-398 Heel Position Adjust Nut
- 5 KB-608 Key Bolt
- 6 DC-512SN Footboard Assy. Only
- M** **PR-549A** Power Plate Assy. Complete (Right Side)
- 1 SC-325 Screw
- 2 SC-149 Screw (one each)
- 3 NP-284L Rubber Mat (Front)
- 4 NP-285 Rubber Mat (Heel)
- N** **DC-399W** Hoop Clamp Cam Assy. Complete
- 1 M-820C Wing Bolt
- 2 SC-191BN Screw (one each)
- N'** **DC-399S** Hoop Clamp Cam Assy. Complete
- 1 M-820C Wing Bolt
- 2 SC-191BN Screw (one each)
- O** **DS-200A** Drive Shaft Assy. Complete
- 1 SP-65A Drive Shaft Sleeve w/Key Bolts
- 1-A KB-608 Key Bolt (one each)
- 2 HS-200A Hexagonal Drive Shaft w/Key Bolts (one set)
- 2-A KB-508 Key Bolt (one each)
- P** **DC-513A** Pedal Frame w/Hoop Clamp
- 1 DC-514A Hoop Clamp Assy.
- 1-A ME-505A Adjustment Knob Assy.
- 1-B ME-507 Pivot Block
- 1-C SP-032 Spring
- Q** **ME-501A** Hexagonal Axle Assy.
- 1 ME-501 Hexagonal Axle ONLY
- 2 ME-393N Axle Sleeve w/Set Screws
- 3 NU-07B Bearing (one each)
- 4 BSA-3 End Nut w/ Washer
- R** **PR-548A** Power Plate Assy. Complete (Left Side)
- 1 SC-325 Screw
- 2 SC-149 Screw (one each)
- 3 NP-284S Rubber Mat (Front)
- 4 NP-285 Rubber Mat (Heel)

# DRUM PEDALS

## P-201P



P-201P

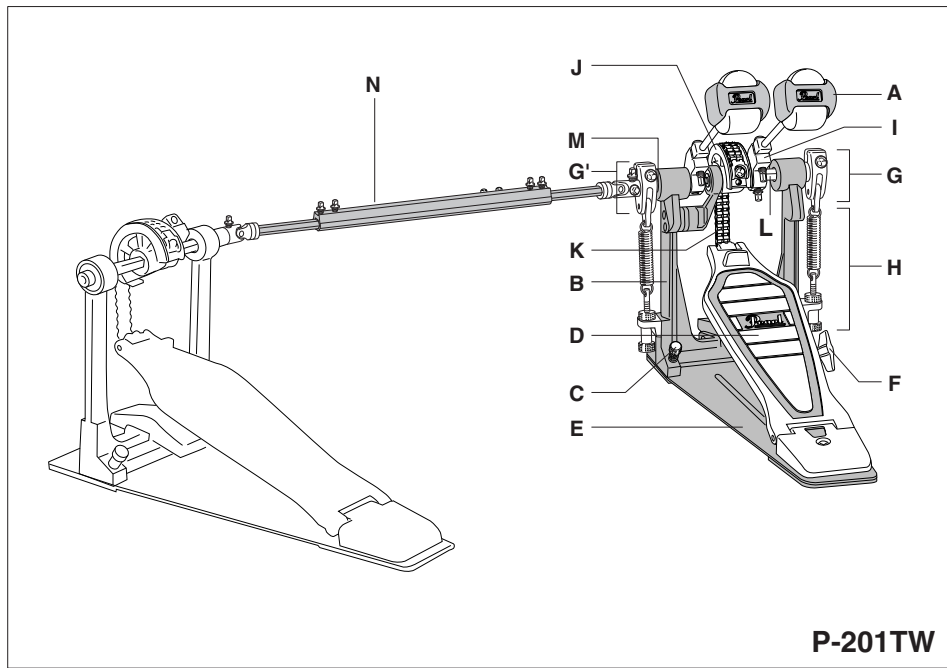


- |          |                |                                   |          |                 |                                                       |          |                |                                        |
|----------|----------------|-----------------------------------|----------|-----------------|-------------------------------------------------------|----------|----------------|----------------------------------------|
| <b>A</b> | <b>B-200QB</b> | <b>Quad Beater</b>                | <b>F</b> | <b>DC-399AN</b> | <b>Hoop Clamp Cam Assy. Complete</b>                  | <b>J</b> | <b>DC-401A</b> | <b>Aluminum Wheel Assy. Complete</b>   |
| 1        | DC-394A        | Beater Setting Stopper Assy.      | 1        | M-820C          | Wing Bolt                                             | 1        | FE-35          | Felt Strip                             |
| 1-A      | SB-66          | Allen Screw                       | 2        | SC-191BN        | Screw (one each)                                      | 2        | SB-66          | Allen Screw (one each)                 |
| <b>B</b> | <b>DC-404A</b> | <b>Pedal Frame w/Hoop Clamp</b>   | <b>G</b> | <b>DC-396NA</b> | <b>Uni-Lock Beater Angle Cam w/Bolt &amp; Nut Set</b> | 3        | DC-400         | Chain Connector                        |
| 1        | DC-397A        | Hoop Clamp w/Pin                  | 1        | KB-630A         | Bolt & Nut Set                                        | 4        | KB-608         | Key Bolt                               |
| <b>C</b> | <b>LT-636</b>  | <b>Anchor Screw w/Spring</b>      | <b>H</b> | <b>SPA-6AN</b>  | <b>Spring Assy. Complete</b>                          | <b>K</b> | <b>ME-255A</b> | <b>Connecting Chain Assy. Complete</b> |
| <b>D</b> | <b>FB-201A</b> | <b>Footboard Assy. Complete</b>   | 1        | SP-31F          | Spring (w/Felt) ONLY                                  | 1        | ME-244         | Chain End Connector Assy. (one each)   |
| 1        | DC-402A        | Footboard w/Chain Connector       | 2        | SAS-657         | Adjustment Bolt                                       | <b>L</b> | <b>ME-392A</b> | <b>Hexagonal Axle Assy.</b>            |
| 1-A      | CCP-95         | Chain Connector w/Pin             | 3        | ME-336          | Upper Nut                                             | 1        | ME-392         | Hexagonal Axle ONLY                    |
| 2        | DC-392A        | Toe Stopper Assy.                 | 4        | ME-391A         | Lower Nut w/Washers                                   | 2        | ME-393N        | Axle Sleeve w/Set Screws               |
| 3        | SC-261         | Screw (one each)                  | <b>I</b> | <b>DC-395NA</b> | <b>Beater Holder Link, Complete</b>                   | 3        | NU-07B         | Bearing (one each)                     |
| 4        | DC-398         | Heel Position Adjust Nut          | 1        | KB-814          | Key Bolt                                              | 4        | BSA-3          | End Nut w/Washer                       |
| 5        | KB-608         | Key Bolt                          | 2        | SB-66           | Allen Screw (one each)                                |          |                |                                        |
| <b>E</b> | <b>FP-201A</b> | <b>Power Plate Assy. Complete</b> |          |                 |                                                       |          |                |                                        |
| 1        | SC-149         | Screw (one each)                  |          |                 |                                                       |          |                |                                        |
| 2        | SC-39          | Screw                             |          |                 |                                                       |          |                |                                        |
| 3        | NP-199A        | Rubber Mat (Front)                |          |                 |                                                       |          |                |                                        |
| 4        | NP-199B        | Rubber Mat (Heel)                 |          |                 |                                                       |          |                |                                        |

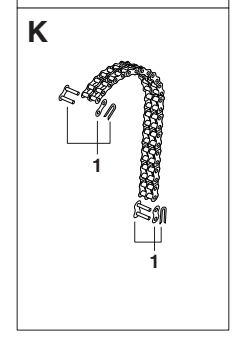
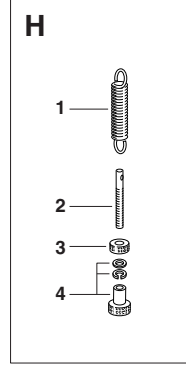
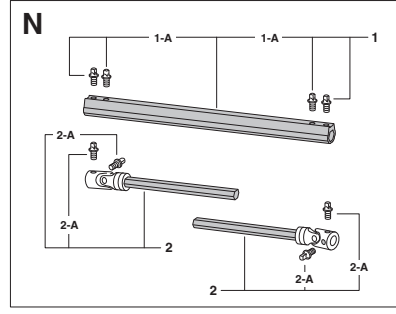
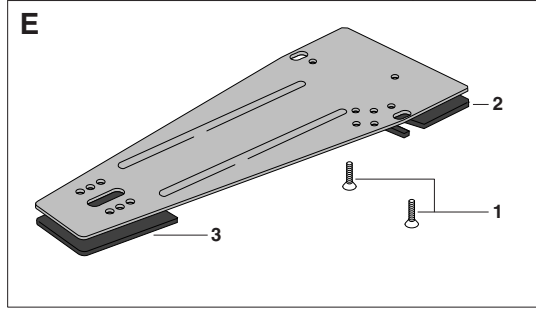
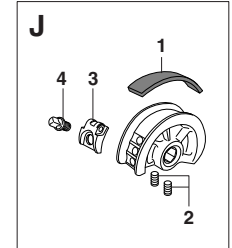
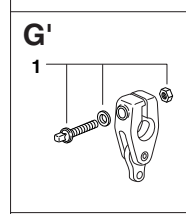
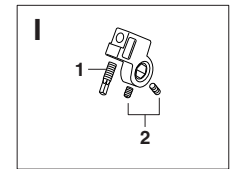
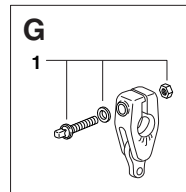
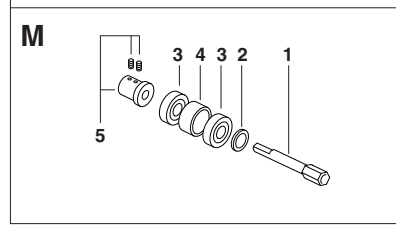
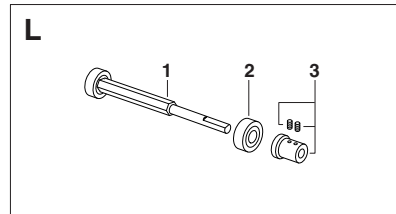
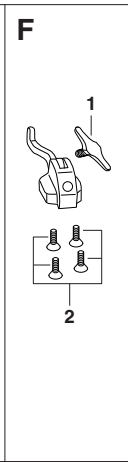
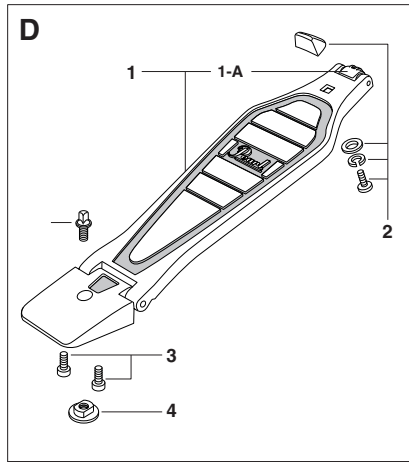
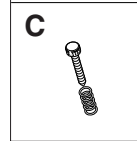
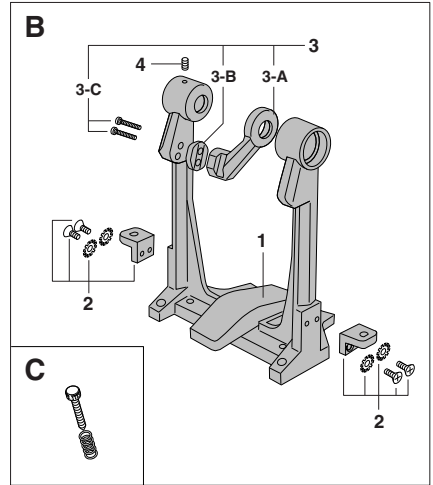
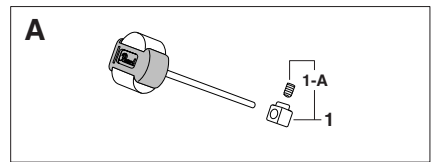


# DRUM PEDALS

## P-201TW



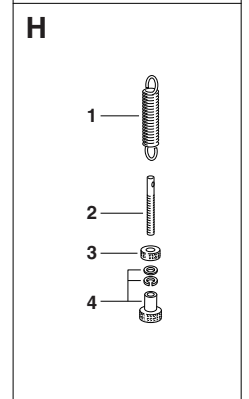
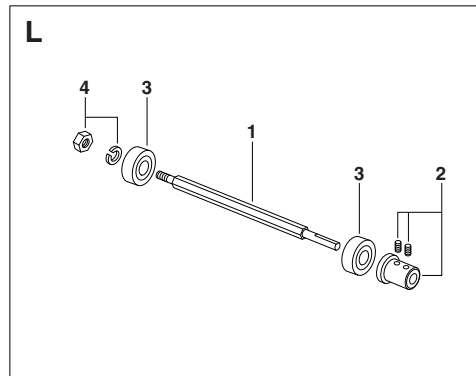
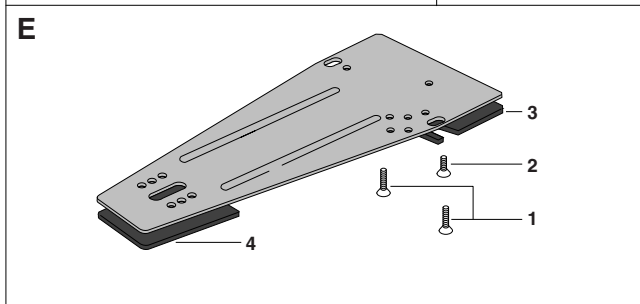
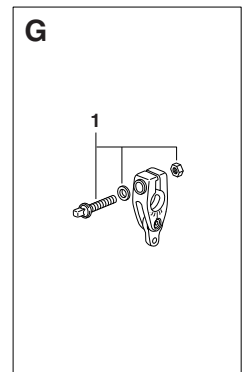
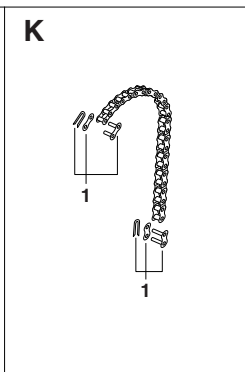
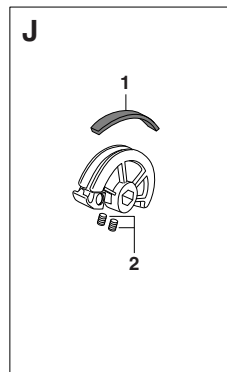
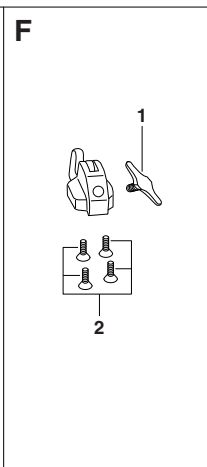
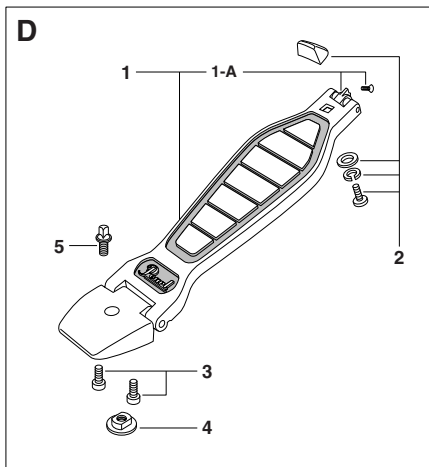
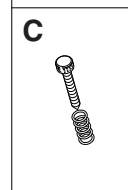
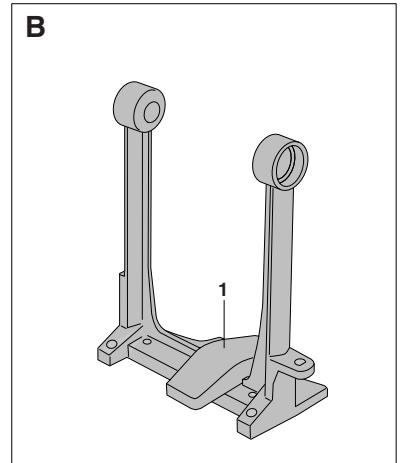
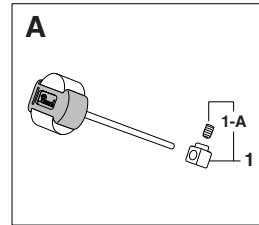
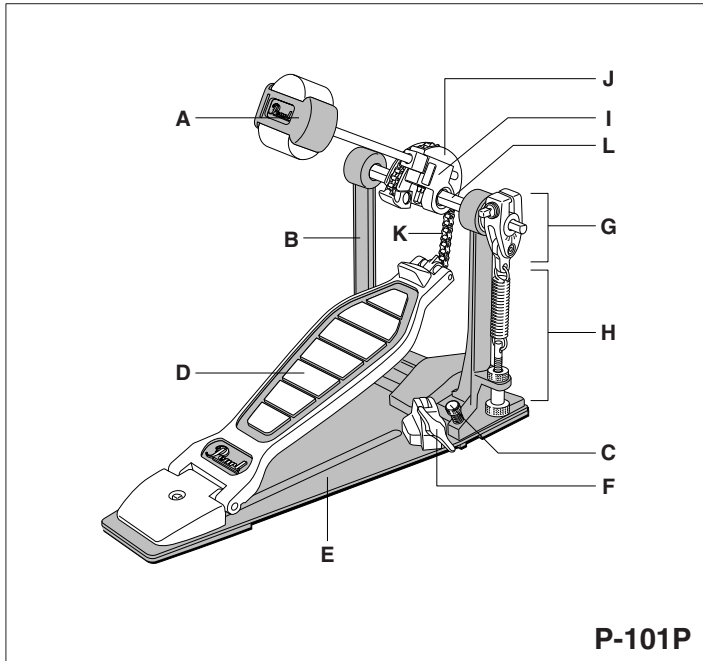
P-201TW



- |          |                |                                                 |           |                  |                                                       |          |                |                                             |
|----------|----------------|-------------------------------------------------|-----------|------------------|-------------------------------------------------------|----------|----------------|---------------------------------------------|
| <b>A</b> | <b>B-200QB</b> | <b>Quad Beater</b>                              | <b>E</b>  | <b>FP-201A</b>   | <b>Power Plate Assy. Complete</b>                     | <b>J</b> | <b>DC-401A</b> | <b>Aluminum Wheel Assy. Complete</b>        |
| 1        | DC-394A        | Beater Setting Stopper Assy.                    | 1         | SC-149           | Screw (one each)                                      | 1        | FE-35          | Felt Strip                                  |
| 1-A      | SB-66          | Allen Screw                                     | 2         | NP-199A          | Rubber Mat (Front)                                    | 2        | SB-66          | Allen Screw (one each)                      |
| <b>B</b> | <b>DC-312A</b> | <b>Pedal Frame w/Hoop Clamp</b>                 | 3         | NP-199B          | Rubber Mat (Heel)                                     | 3        | DC-400         | Chain Connector                             |
| 1        | DC-397A        | Hoop Clamp w/Pin                                | <b>F</b>  | <b>DC-399ATN</b> | <b>Hoop Clamp Cam Assy. Complete</b>                  | 4        | KB-608         | Key Bolt                                    |
| 2        | DC-156A        | Spring Anchor Plate w/Screw & Washers (one set) | 1         | M-820C           | Wing Bolt                                             | <b>K</b> | <b>ME-225A</b> | <b>Connecting Chain Assy. Complete</b>      |
| 3        | ASA-201A       | Axle Support Arm Assy. Complete                 | 2         | SC-191BN         | Screw (one each)                                      | 1        | ME-244         | Chain End Connector Assy. (one each)        |
| 3-A      | DC-313N        | Axle Support Arm                                | <b>G</b>  | <b>DC-396NA</b>  | <b>Uni-Lock Beater Angle Cam w/Bolt &amp; Nut Set</b> | <b>L</b> | <b>ME-394A</b> | <b>Hexagonal Axle Assy.</b>                 |
| 3-B      | DC-314N        | Axle Support Arm Spacer                         | 1         | KB-630A          | Bolt & Nut Set                                        | 1        | ME-394B        | Hexagonal Axle w/Bearing & Washer           |
| 3-C      | SC-222         | Screw (one each)                                | <b>G'</b> | <b>DC-396NAL</b> | <b>Uni-Lock Beater Angle Cam w/Bolt &amp; Nut Set</b> | 2        | NU-07B         | Bearing (one each)                          |
| 4        | SB-44          | Allen Screw                                     | 1         | KB-630A          | Bolt & Nut Set                                        | 3        | ME-393N        | Axle Sleeve w/Set Screws                    |
| <b>C</b> | <b>LT-636</b>  | <b>Anchor Screw w/Spring</b>                    | <b>H</b>  | <b>SPA-6AN</b>   | <b>Spring Assy. Complete</b>                          | <b>M</b> | <b>ME-395A</b> | <b>Hexagonal Axle Assy.</b>                 |
| <b>D</b> | <b>FB-201A</b> | <b>Footboard Assy. Complete</b>                 | 1         | SP-31F           | Spring (w/Felt) ONLY                                  | 1        | ME-395         | Hexagonal Axle ONLY                         |
| 1        | DC-402A        | Footboard w/Chain Connector                     | 2         | SAS-657          | Adjustment Bolt                                       | 2        | WS-49          | Washer                                      |
| 1-A      | CCP-95         | Chain Connector w/Pin                           | 3         | ME-336           | Upper Nut                                             | 3        | NU-07B         | Bearing (one each)                          |
| 2        | DC-392A        | Toe Stopper Assy.                               | 4         | ME-391A          | Lower Nut w/Washers                                   | 4        | BS-85          | Bearing Spacer                              |
| 3        | SC-261         | Screw (one each)                                | <b>I</b>  | <b>DC-395NA</b>  | <b>Beater Holder Link, Complete</b>                   | 5        | ME-393N        | Axle Sleeve w/Set Screws                    |
| 4        | DC-398         | Heel Position Adjust Nut                        | 1         | KB-814           | Key Bolt                                              | <b>N</b> | <b>DS-200A</b> | <b>Drive Shaft Assy. Complete</b>           |
| 5        | KB-608         | Key Bolt                                        | 2         | SB-66            | Allen Screw (one each)                                | 1        | SP-65A         | Drive Shaft Sleeve w/Key Bolts              |
|          |                |                                                 |           |                  |                                                       | 1-A      | KB-608         | Key Bolt (one each)                         |
|          |                |                                                 |           |                  |                                                       | 2        | HS-200A        | Hexagonal Drive Shaft w/Key Bolts (one set) |
|          |                |                                                 |           |                  |                                                       | 2A       | KB-508         | Key Bolt (one each)                         |

# DRUM PEDALS

## P-101P



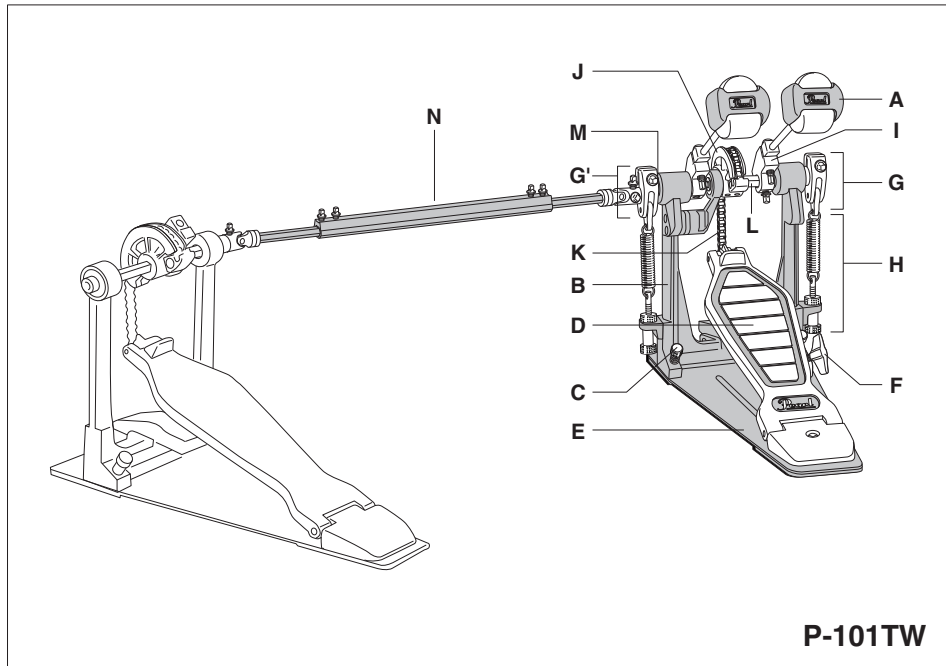
- A B-200QB Quad Beater**
- 1 DC-394A Beater Setting Stopper Assy.
- 1-A SB-66 Allen Screw
- B DC-404A Pedal Frame w/Hoop Clamp**
- 1 DC-397A Hoop Clamp w/Pin
- C LT-636 Anchor Screw w/Spring**
- D FB-101A Footboard Assy. Complete**
- 1 DC-389A Footboard w/Chain Connector
- 1-A DC-16NA Chain Connector w/Pin and Screw
- 2 DC-392A Toe Stopper Assy.
- 3 SC-261 Screw (one each)
- 4 DC-398 Heel Position Adjust Nut
- 5 KB-608 Key Bolt
- E FP-101A Power Plate Assy. Complete**
- 1 SC-149 Screw (one each)
- 2 SC-39 Screw
- 3 NP-199A Rubber Mat (Front)
- 4 NP-199B Rubber Mat (Heel)

- F DC-399AN Hoop Clamp Cam Assy. Complete**
- 1 M-820C Wing Bolt
- 2 SC-191BN Screw (one each)
- G DC-396NA Uni-Lock Beater Angle Cam w/Bolt & Nut Set**
- 1 KB-630A Bolt & Nut Set
- H SPA-6AN Spring Assy. Complete**
- 1 SP-31F Spring (w/Felt) ONLY
- 2 SAS-657 Adjustment Bolt
- 3 ME-336 Upper Nut
- 4 ME-391A Lower Nut w/Washers
- I DC-395NA Beater Holder Link, Complete**
- 1 KB-814 Key Bolt
- 2 SB-66 Allen Screw (one each)
- J ALH-2 Aluminum Wheel Assy. Complete**
- 1 FE-29 Felt Strip
- 2 SB-66 Allen Screw (one each)

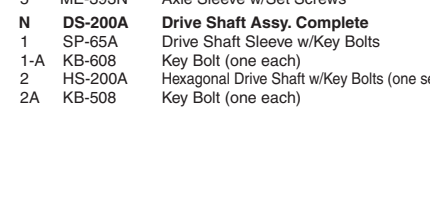
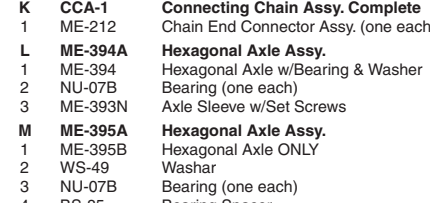
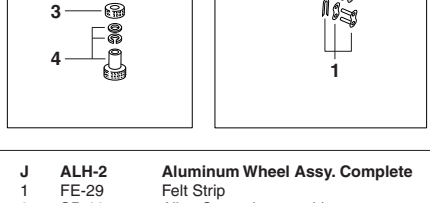
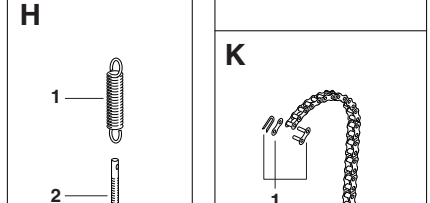
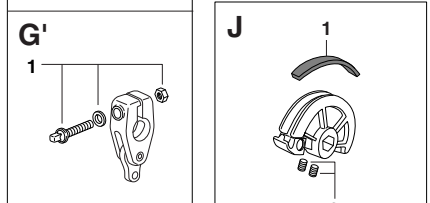
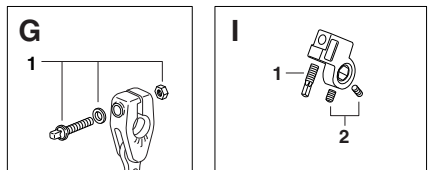
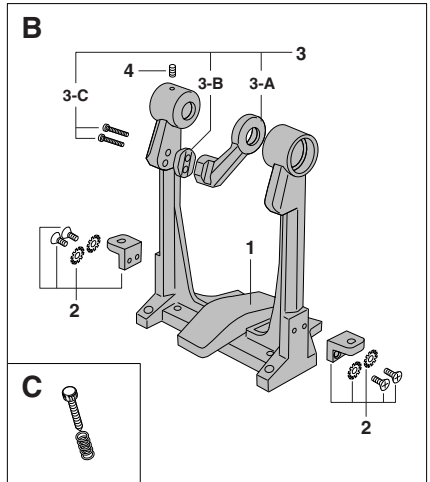
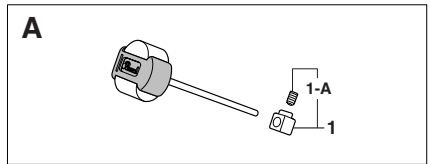
- K CCA-1 Connecting Chain Assy. Complete**
- 1 ME-212 Chain End Connector Assy. (one each)
- L ME-392A Hexagonal Axle Assy.**
- 1 ME-392 Hexagonal Axle ONLY
- 2 ME-393N Axle Sleeve w/Set Screws
- 3 NU-07B Bearing (one each)
- 4 BSA-3 End Nut w/Washer

# DRUM PEDALS

## P-101TW



P-101TW



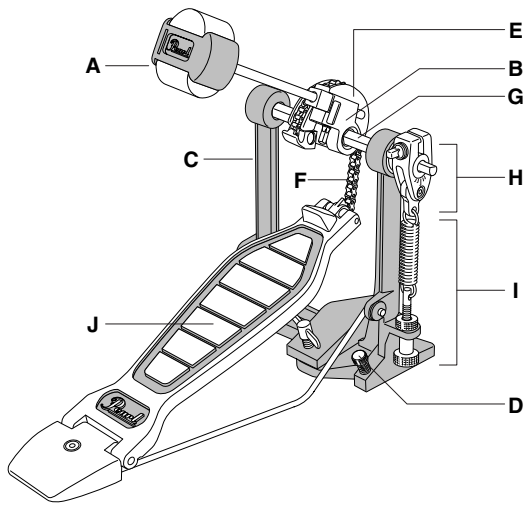
- A B-200QB Quad Beater**
- 1 DC-394A Beater Setting Stopper Assy.
- 1-A SB-66 Allen Screw
- B DC-312A Pedal Frame w/Hoop Clamp**
- 1 DC-397A Hoop Clamp w/Pin
- 2 DC-156A Spring Anchor Plate w/Screw & Washers (one set)
- 3 ASA-201A Axle Support Arm Assy. Complete
- 3-A DC-313N Axle Support Arm
- 3-B DC-314N Axle Support Arm Spacer
- 3-C SC-222 Screw (one each)
- 4 SB-44 Allen Screw
- C LT-636 Anchor Screw w/Spring**
- D FB-101A Footboard Assy. Complete**
- 1 DC-389A Footboard w/Chain Connector
- 1-A DC-16NA Chain Connector w/Pin and Screw
- 2 DC-392A Toe Stopper Assy.
- 3 SC-261 Screw (one each)
- 4 DC-398 Heel Position Adjust Nut
- 5 KB-608 Key Bolt

- E FP-101A Power Plate Assy. Complete**
- 1 SC-149 Screw (one each)
- 2 NP-199A Rubber Mat (Front)
- 3 NP-199B Rubber Mat (Heel)
- F DC-399ATN Hoop Clamp Cam Assy. Complete**
- 1 M-820C Wing Bolt
- 2 SC-191BN Screw (one each)
- G DC-396NA Uni-Lock Beater Angle Cam w/Bolt & Nut Set**
- 1 KB-630A Bolt & Nut Set
- G' DC-396NAL Uni-Lock Beater Angle Cam w/Bolt & Nut Set**
- 1 KB-630A Bolt & Nut Set
- H SPA-6AN Spring Assy. Complete**
- 1 SP-31F Spring (w/Felt) ONLY
- 2 SAS-657 Adjustment Bolt
- 3 ME-336 Upper Nut
- 4 ME-391A Lower Nut w/Washers
- I DC-395NA Beater Holder Link, Complete**
- 1 KB-814 Key Bolt
- 2 SB-66 Allen Screw (one each)

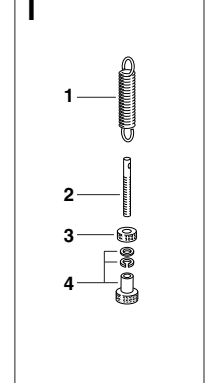
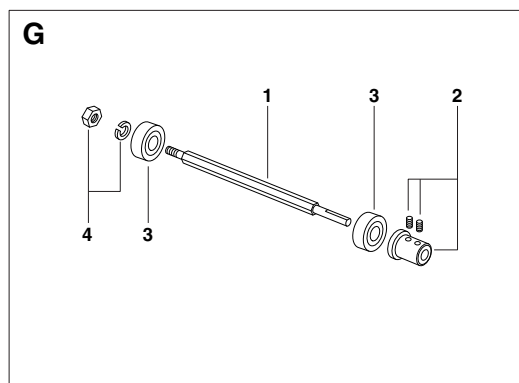
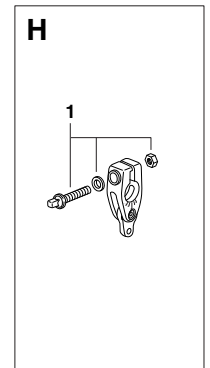
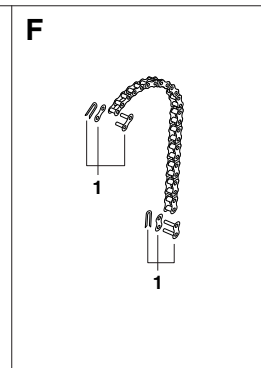
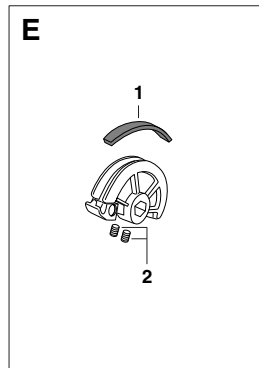
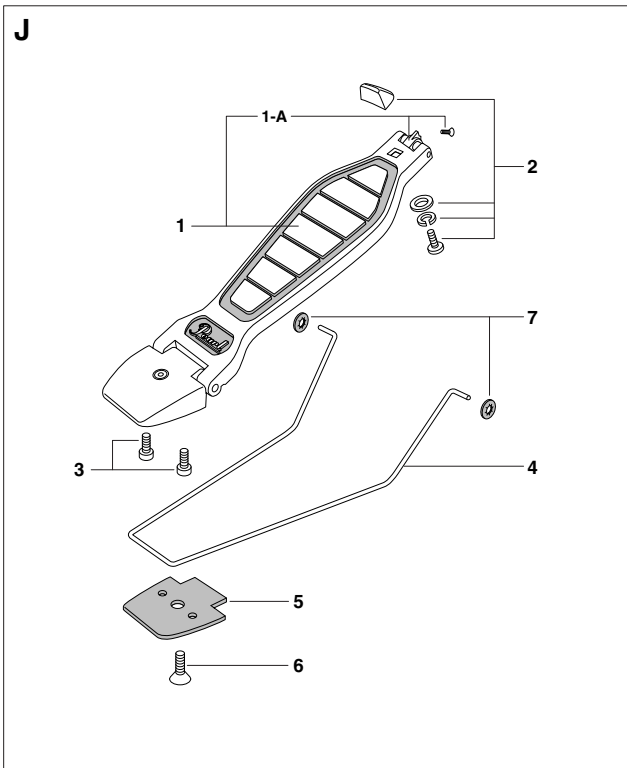
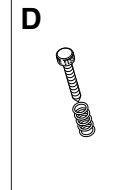
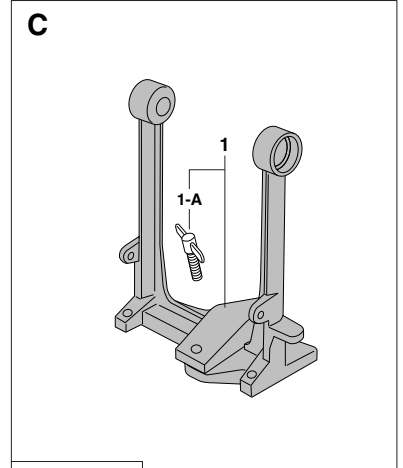
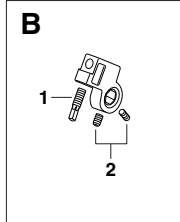
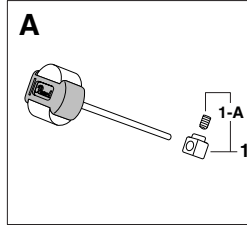
- J ALH-2 Aluminum Wheel Assy. Complete**
- 1 FE-29 Felt Strip
- 2 SB-66 Allen Screw (one each)
- K CCA-1 Connecting Chain Assy. Complete**
- 1 ME-212 Chain End Connector Assy. (one each)
- L ME-394A Hexagonal Axle Assy.**
- 1 ME-394 Hexagonal Axle w/Bearing & Washer
- 2 NU-07B Bearing (one each)
- 3 ME-393N Axle Sleeve w/Set Screws
- M ME-395A Hexagonal Axle Assy.**
- 1 ME-395B Hexagonal Axle ONLY
- 2 WS-49 Washer
- 3 NU-07B Bearing (one each)
- 4 BS-85 Bearing Spacer
- 5 ME-393N Axle Sleeve w/Set Screws
- N DS-200A Drive Shaft Assy. Complete**
- 1 SP-65A Drive Shaft Sleeve w/Key Bolts
- 1-A KB-608 Key Bolt (one each)
- 2 HS-200A Hexagonal Drive Shaft w/Key Bolts (one set)
- 2A KB-508 Key Bolt (one each)

# DRUM PEDALS

## P-101



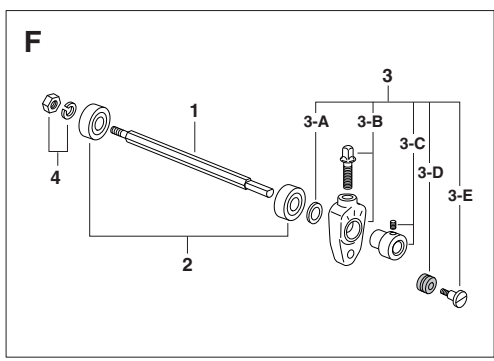
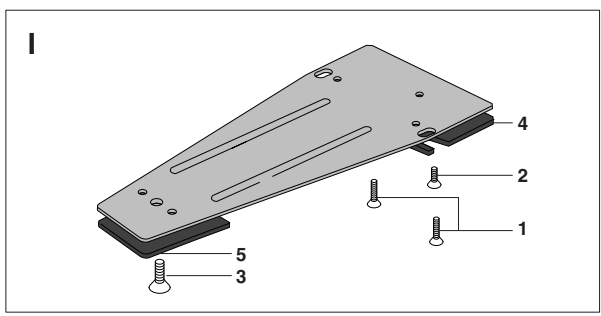
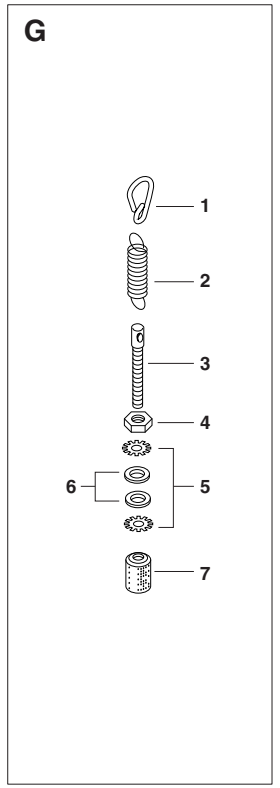
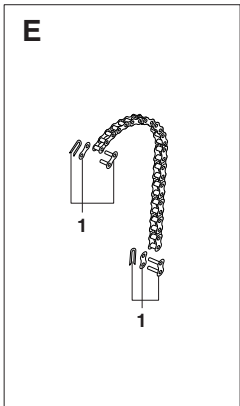
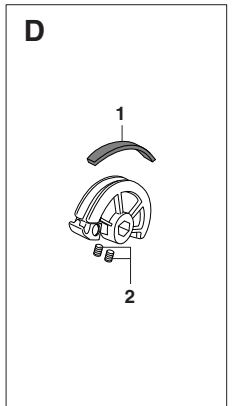
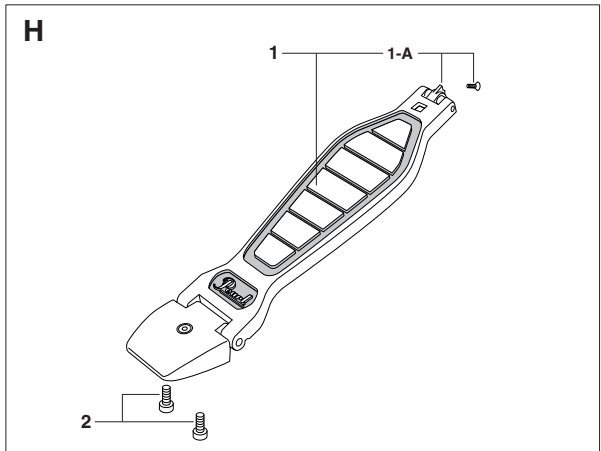
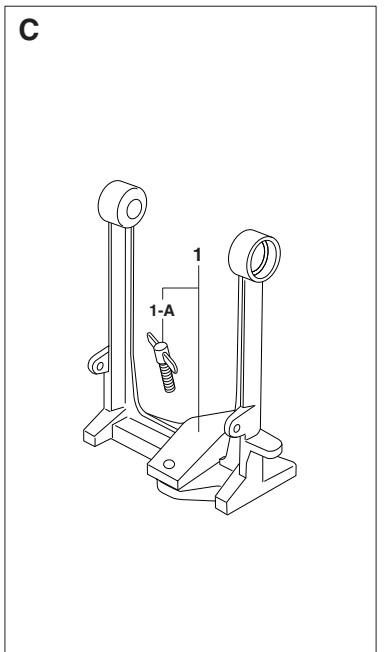
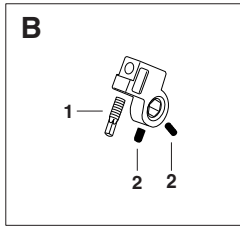
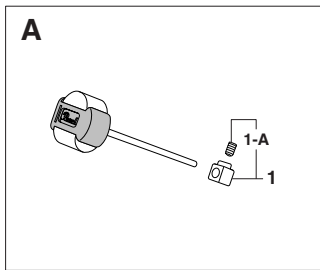
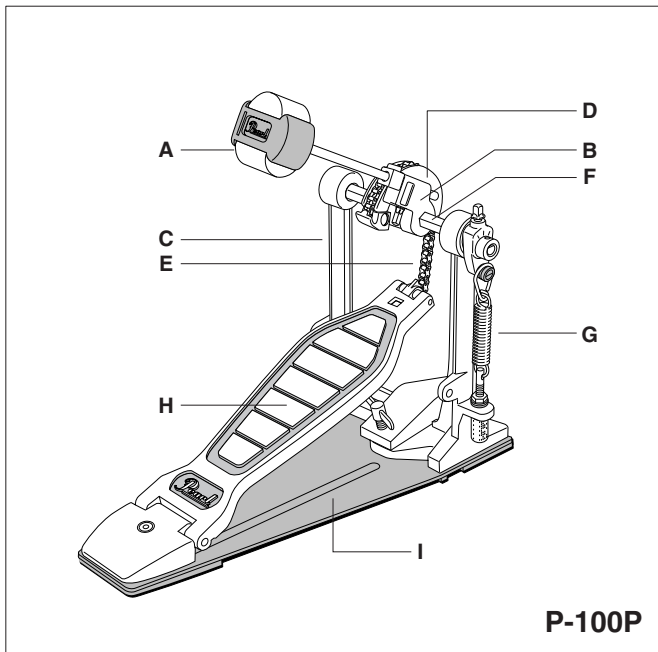
P-101



- |          |                 |                                      |          |                 |                                                       |          |                 |                                          |
|----------|-----------------|--------------------------------------|----------|-----------------|-------------------------------------------------------|----------|-----------------|------------------------------------------|
| <b>A</b> | <b>B-200QB</b>  | <b>Quad Beater</b>                   | <b>F</b> | <b>CCA-1</b>    | <b>Connecting Chain Assy. Complete</b>                | <b>J</b> | <b>FB-101AR</b> | <b>Footboard Assy. Complete</b>          |
| 1        | DC-394A         | Beater Setting Stopper Assy.         | 1        | ME-212          | Chain End Connector Assy. (one each)                  | 1        | DC-389B         | Footboard w/Chain Connector              |
| 1-A      | SB-66           | Allen Screw                          | 1        | ME-392          | Hexagonal Axle ONLY                                   | 1-A      | DC-16NA         | Chain Connector w/Pin and Screw          |
| <b>B</b> | <b>DC-395NA</b> | <b>Beater Holder Link, Complete</b>  | 2        | ME-393N         | Axle Sleeve w/Set Screws                              | 2        | DC-392A         | Toe Stopper Assy.                        |
| 1        | KB-814          | Key Bolt                             | 3        | NU-07B          | Bearing (one each)                                    | 3        | SC-261          | Screw (one each)                         |
| 2        | SB-66           | Allen Screw (one each)               | 4        | BSA-3           | End Nut w/Washer                                      | 4        | ME-207B         | Radius Rod ONLY                          |
| <b>C</b> | <b>DC-391A</b>  | <b>Pedal Frame w/Hoop Clamp</b>      | <b>H</b> | <b>DC-396NA</b> | <b>Uni-Lock Beater Angle Cam w/Bolt &amp; Nut Set</b> | 5        | PR-447          | Radius Rod Cover                         |
| 1        | DC-201A         | Hoop Clamp Assy. Complete            | 1        | KB-630A         | Bolt & Nut Set                                        | 6        | SC-258          | Cap Screw                                |
| 1-A      | ME-69           | Handle Bolt                          | <b>I</b> | <b>SPA-6AN</b>  | <b>Spring Assy. Complete</b>                          | 7        | WS-50           | Push Nut (Radius Rod Stopper) (one each) |
| <b>D</b> | <b>LT-636</b>   | <b>Anchor Screw w/Spring</b>         | 1        | SP-31F          | Spring (w/Felt) ONLY                                  |          |                 |                                          |
| <b>E</b> | <b>ALH-2</b>    | <b>Aluminum Wheel Assy. Complete</b> | 2        | SAS-657         | Adjustment Bolt                                       |          |                 |                                          |
| 1        | FE-29           | Felt Strip                           | 3        | ME-336          | Upper Nut                                             |          |                 |                                          |
| 2        | SB-66           | Allen Screw (one each)               | 4        | ME-391A         | Lower Nut w/Washers                                   |          |                 |                                          |

# DRUM PEDALS

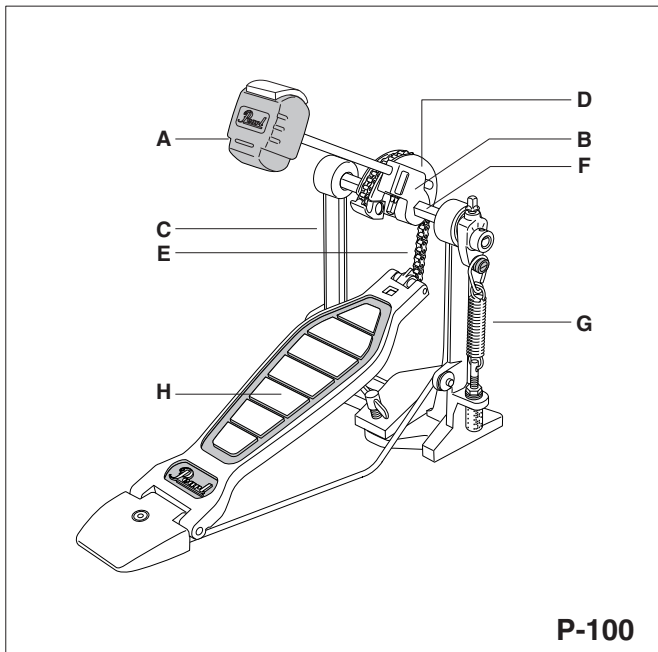
## P-100P



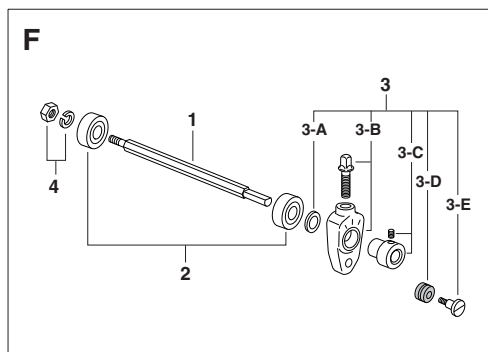
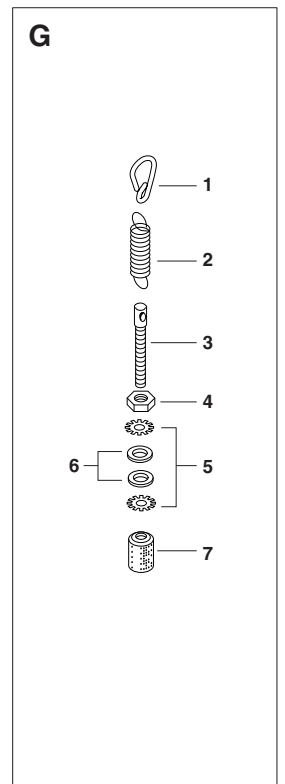
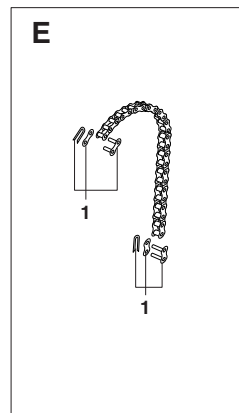
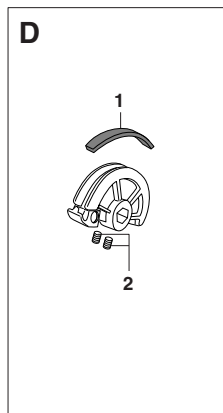
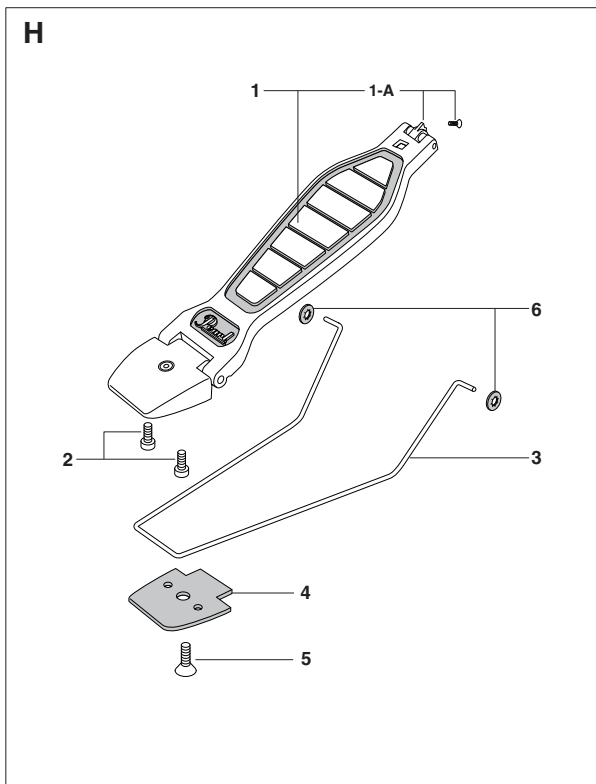
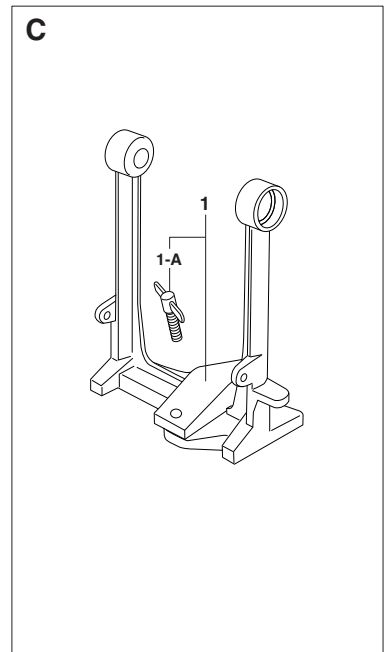
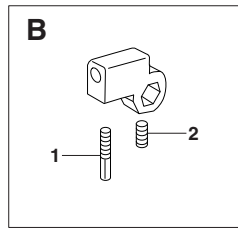
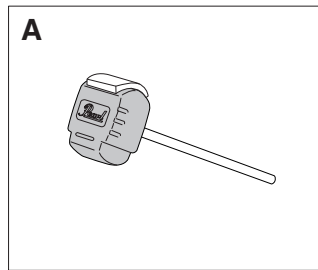
- |                                                                                                                                                                                                                                                                                                                                                                                                                                                                                                                                                                                                                                                     |                                                                                                                                                                                                                                                                                                                                                                                                                                                                                                                                                                                                                                                                                                                                              |                                                                                                                                                                                                                                                                                                                                                                                                                                                        |
|-----------------------------------------------------------------------------------------------------------------------------------------------------------------------------------------------------------------------------------------------------------------------------------------------------------------------------------------------------------------------------------------------------------------------------------------------------------------------------------------------------------------------------------------------------------------------------------------------------------------------------------------------------|----------------------------------------------------------------------------------------------------------------------------------------------------------------------------------------------------------------------------------------------------------------------------------------------------------------------------------------------------------------------------------------------------------------------------------------------------------------------------------------------------------------------------------------------------------------------------------------------------------------------------------------------------------------------------------------------------------------------------------------------|--------------------------------------------------------------------------------------------------------------------------------------------------------------------------------------------------------------------------------------------------------------------------------------------------------------------------------------------------------------------------------------------------------------------------------------------------------|
| <p><b>A B-200QB Quad Beater</b><br/>         1 DC-394A Beater Setting Stopper Assy.<br/>         1-A SB-66 Allen Screw</p> <p><b>B DC-395NA Beater Holder Link, Complete</b><br/>         1 KB-814 Key Bolt<br/>         2 SB-66 Allen Screw (one each)</p> <p><b>C DC-391BA Pedal Frame w/Hoop Clamp</b><br/>         1 DC-201BA Hoop Clamp Assy. Complete<br/>         1-A ME-69 Handle Bolt</p> <p><b>D ALH-2 Aluminum Wheel Assy. Complete</b><br/>         1 FE-29 Felt Strip<br/>         2 SB-66 Allen Screw (one each)</p> <p><b>E CCA-1 Connecting Chain Assy. Complete</b><br/>         1 ME-212 Chain End Connector Assy. (one each)</p> | <p><b>F ME-345A Hexagonal Axle Assy.</b><br/>         1 ME-345 Hexagonal Axle<br/>         2 NU-07B Bearing (one each)<br/>         3 DC-536AC Beater Angle Cam Complete<br/>         3-A WS-43 Washer<br/>         3-B DC-536A Beater Angle Cam w/Key Bolt<br/>         3-C DC-530A Axle Sleeve w/Screw<br/>         3-D ME-646 Cam Roller<br/>         3-E ME-170B Cam Bolt<br/>         4 BSA-3 Bearing (one each)</p> <p><b>G SPA-7A Spring Assy. Complete</b><br/>         1 SP-74 Hook<br/>         2 SP-31F Spring (w/Felt) ONLY<br/>         3 SAS-657 Adjustment Bolt<br/>         4 SN-6M Hexagonal Nut<br/>         5 SHW-6 Lock Washer (one each)<br/>         6 SMW-6 Washer (one each)<br/>         7 SCN-6 Adjustment Nut</p> | <p><b>H FB-100A Footboard Assy. Complete</b><br/>         1 DC-389B Footboard w/Chain Connector<br/>         1-A DC-16NA Chain Connector w/Pin and Screw<br/>         2 SC-261 Cap Screw (one each)</p> <p><b>I FP-100A Power Plate Assy. Complete</b><br/>         1 SC-149 Screw (one each)<br/>         2 SC-39 Screw (one each)<br/>         3 SC-258 Screw<br/>         4 NP-199A Rubber Mat (Front)<br/>         5 NP-199B Rubber Mat (Heel)</p> |
|-----------------------------------------------------------------------------------------------------------------------------------------------------------------------------------------------------------------------------------------------------------------------------------------------------------------------------------------------------------------------------------------------------------------------------------------------------------------------------------------------------------------------------------------------------------------------------------------------------------------------------------------------------|----------------------------------------------------------------------------------------------------------------------------------------------------------------------------------------------------------------------------------------------------------------------------------------------------------------------------------------------------------------------------------------------------------------------------------------------------------------------------------------------------------------------------------------------------------------------------------------------------------------------------------------------------------------------------------------------------------------------------------------------|--------------------------------------------------------------------------------------------------------------------------------------------------------------------------------------------------------------------------------------------------------------------------------------------------------------------------------------------------------------------------------------------------------------------------------------------------------|

# DRUM PEDALS

## P-100



P-100

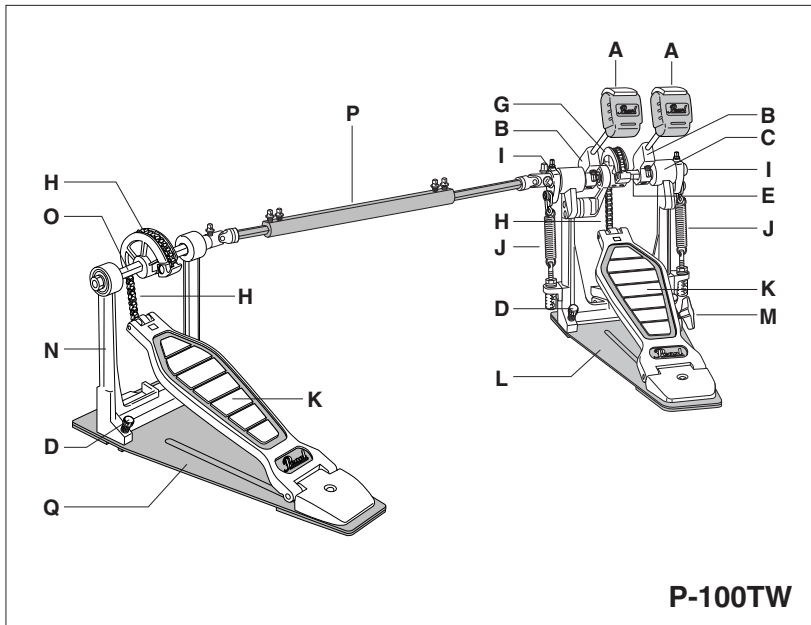


- |          |                 |                                        |          |                |                              |          |                 |                                          |
|----------|-----------------|----------------------------------------|----------|----------------|------------------------------|----------|-----------------|------------------------------------------|
| <b>A</b> | <b>B-100DB</b>  | <b>"DuoBeat" 2 Way Beater</b>          | <b>F</b> | <b>ME-345A</b> | <b>Hexagonal Axle Assy.</b>  | <b>H</b> | <b>FB-100AR</b> | <b>Footboard Assy. Complete</b>          |
| <b>B</b> | <b>BH-95</b>    | <b>Beater Holder Link Complete</b>     | 1        | ME-345         | Hexagonal Axle               | 1        | DC-389B         | Footboard w/Chain Connector              |
| 1        | KB-814          | Key Bolt                               | 2        | NU-07B         | Bearing (one each)           | 1-A      | DC-16NA         | Chain Connector w/Pin and Screw          |
| 2        | SB-66           | Allen Screw                            | 3        | DC-536AC       | Beater Angle Cam Complete    | 2        | SC-261          | Cap Screw (one each)                     |
| <b>C</b> | <b>DC-391BA</b> | <b>Pedal Frame w/Hoop Clamp</b>        | 3-A      | WS-43          | Washer                       | 3        | ME-207B         | Radius Rod ONLY                          |
| 1        | DC-201BA        | Hoop Clamp Assy. Complete              | 3-B      | DC-536A        | Beater Angle Cam w/Key Bolt  | 4        | PR-447          | Radius Rod Cover                         |
| 1-A      | ME-69           | Handle Bolt                            | 3-C      | DC-530A        | Axle Sleeve w/Screw          | 5        | SC-258          | Screw                                    |
| <b>D</b> | <b>ALH-2</b>    | <b>Aluminum Wheel Assy. Complete</b>   | 3-D      | ME-646         | Cam Roller                   | 6        | WS-50           | Push Nut (Radius Rod Stopper) (one each) |
| 1        | FE-29           | Felt Strip                             | 3-E      | ME-170B        | Cam Bolt                     |          |                 |                                          |
| 2        | SB-66           | Allen Screw (one each)                 | 4        | BSA-3          | Bearing (one each)           |          |                 |                                          |
| <b>E</b> | <b>CCA-1</b>    | <b>Connecting Chain Assy. Complete</b> | <b>G</b> | <b>SPA-7A</b>  | <b>Spring Assy. Complete</b> |          |                 |                                          |
| 1        | ME-212          | Chain End Connector Assy. (one each)   | 1        | SP-74          | Hook                         |          |                 |                                          |
|          |                 |                                        | 2        | SP-31F         | Spring (w/Felt) ONLY         |          |                 |                                          |
|          |                 |                                        | 3        | SAS-657        | Adjustment Bolt              |          |                 |                                          |
|          |                 |                                        | 4        | SN-6M          | Hexagonal Nut                |          |                 |                                          |
|          |                 |                                        | 5        | SHW-6          | Lock Washer (one each)       |          |                 |                                          |
|          |                 |                                        | 6        | SMW-6          | Washer (one each)            |          |                 |                                          |
|          |                 |                                        | 7        | SCN-6          | Adjustment Nut               |          |                 |                                          |

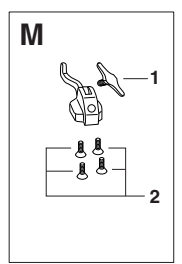
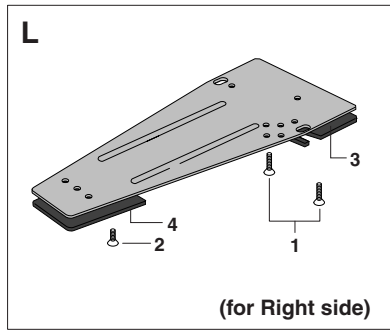
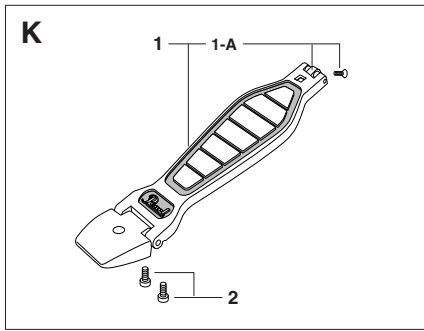
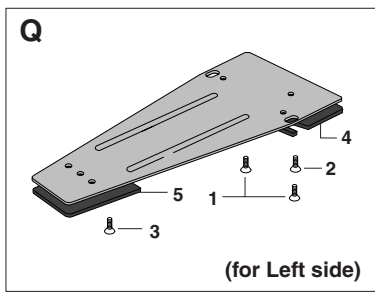
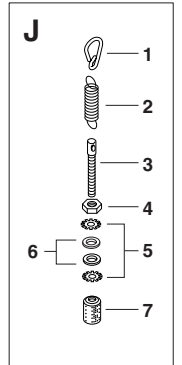
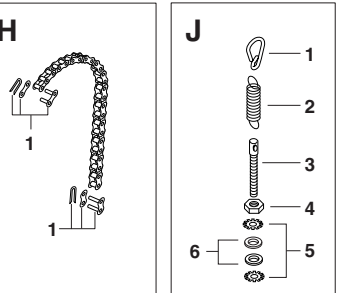
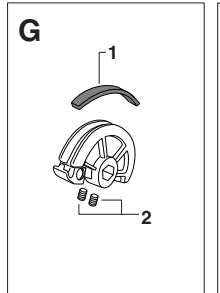
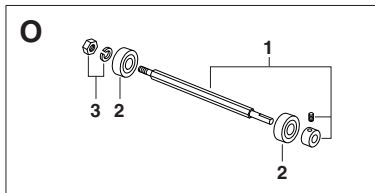
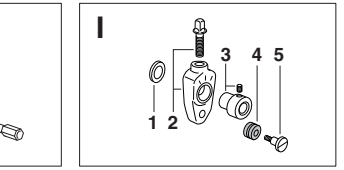
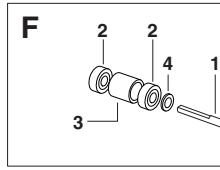
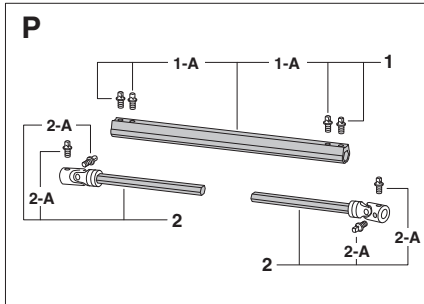
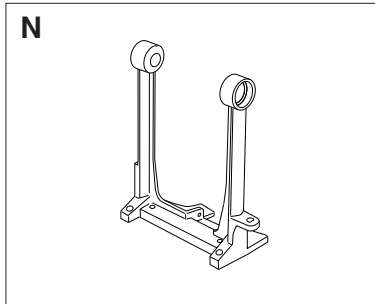
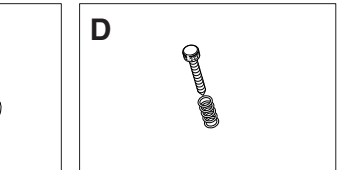
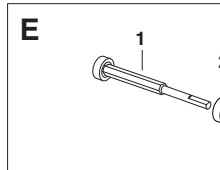
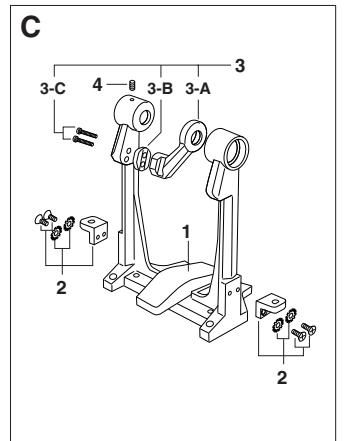
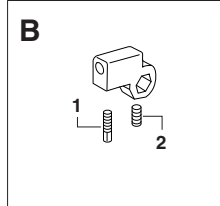
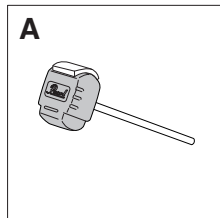


# DRUM PEDALS

## P-100TW



P-100TW



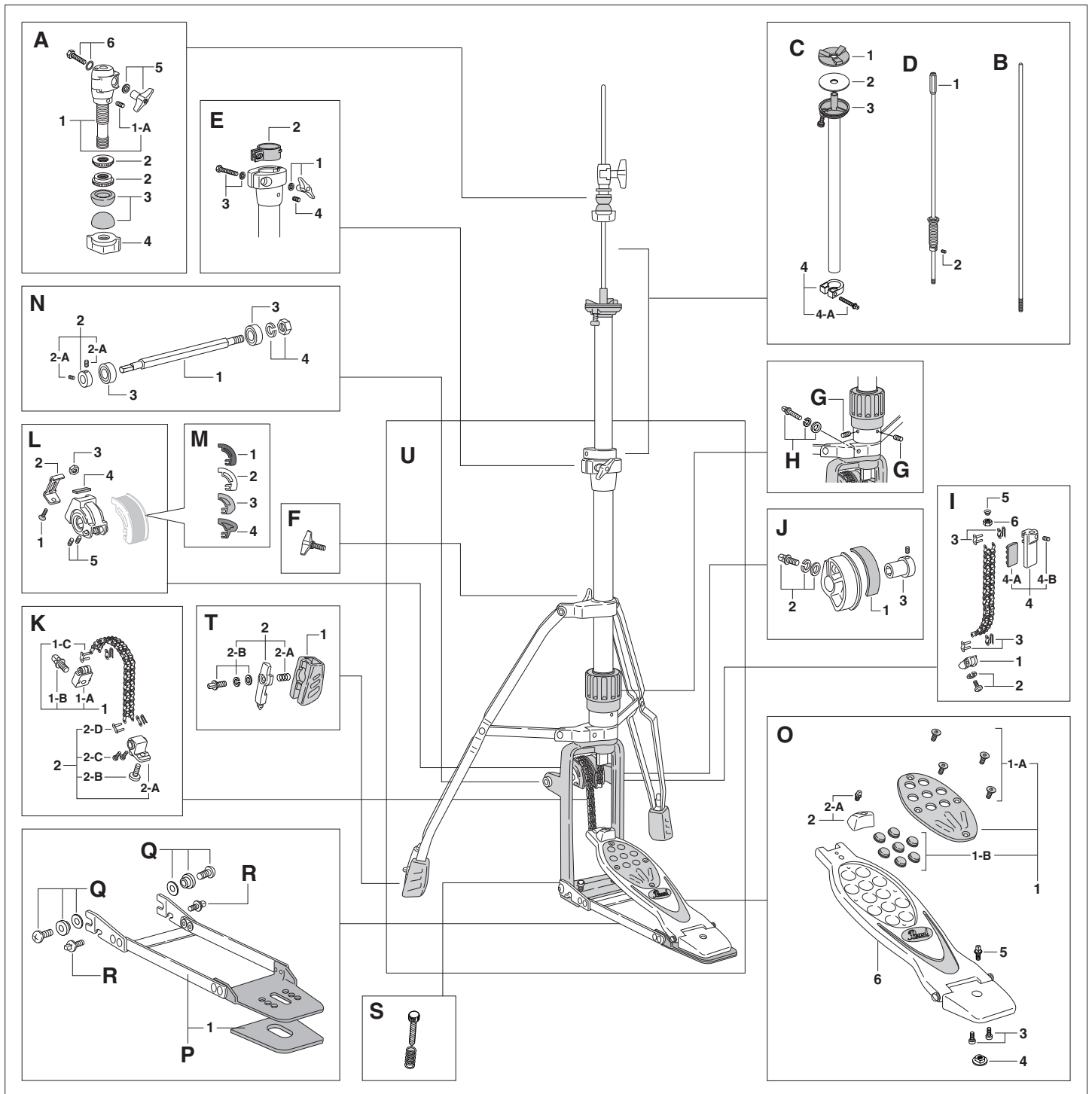
- A B-100DB "DuoBeat" 2 way beater**
- B BH-95 Beater Holder Link, Complete**
- 1 KB-814 Key Bolt**
- 2 SB-66 Allen Screw**
- C DC-312AB Pedal Frame w/Hoop Clamp**
- 1 DC-397BA Hoop Clamp w/Pin**
- 2 BAP-2 Spring Anchor Plate w/Screw & Washers (one set)**
- 3 ASA-79A Axle Support arm Assy. Complete**
- 3-A DC-313B Axle Support Arm**
- 3-B DC-314B Axle Support Spacer**
- 3-C SC-222 Screw (one each)**
- 4 SB-44 Allen Screw**
- D LT-636 Anchor Screw w/Spring**
- E ME-341NA Hexagonal Axle Assy. Complete**
- 1 HEX-8L Hexagonal Axle w/Bearing**
- 2 NU-07B Bearing**
- F ME-342A Hexagonal Axle Assy. Complete**
- 1 HEX-8S Hexagonal Axle (short)**
- 2 NU-07B Bearing (one each)**
- 3 BS-85 Bearing Spacer**
- 4 WS-49 Washer**
- G ALH-2 Aluminum Wheel Assy. Complete**
- 1 FE-29 Felt Strip**
- 2 SB-66 Allen Screw (one each)**

- H CCA-1 Connecting Chain Assy. Complete**
- 1 ME-212 Chain End Connector Assy. (one each)**
- I DC-536AC Beater Angle Cam Assy. Complete**
- 1 WS-43 Washer**
- 2 DC-536A Beater Angle Cam w/Key Bolt**
- 3 DC-530A Axle Sleeve w/Screw**
- 4 ME-646 Cam Roller**
- 5 ME-170B Cam Bolt**
- J SPA-7A Spring Assy. Complete**
- 1 SP-74 Hook**
- 2 SP-31F Spring (w/Felt) ONLY**
- 3 SAS-657 Adjustment Bolt**
- 4 SN-6M Hexagonal Nut**
- 5 SHW-6 Lock Washer (one each)**
- 6 SMW-6 Washer (one each)**
- 7 SCN-6 Adjustment Nut**
- K FB-100A Footboard Assy. Complete**
- 1 DC-389B Footboard w/Chain Connector**
- 1-A DC-16NA Chain Connector w/Pin and Screw**
- 2 SC-261 Cap Screw (one each)**
- L FP-100AB Power Plate Assy. Complete**
- 1 SC-149 Screw (one each)**
- 2 SC-258 Screw**
- 3 NP-199A Rubber Mat (Front)**
- 4 NP-199B Rubber Mat (Heel)**

- M DC-399ATN Hoop Clamp Cam Assy. Complete**
- 1 M-820C Wing Bolt**
- 2 SC-191BN Screw (one each)**
- N DC-404AB Pedal Frame**
- O ME-345A Hexagonal Axle Assy.**
- 1 HEX-9 Hexagonal Axle w/Axle Sleeve and Allen Screw**
- 2 NU-07B Bearing (one each)**
- 3 BSA-3 End Nut w/Washers**
- P DS-200A Drive Shaft Assy. Complete**
- 1 SP-65A Drive Shaft Sleeve w/Key Bolts**
- 1-A KB-608 Key Bolt (one each)**
- 2 HS-200A Hexagonal Drive Shaft w/Key Bolts (one set)**
- 2-A KB-508 Key Bolt (one each)**
- Q FP-100AS Power Plate Assy. Complete**
- 1 SC-149 Screw (one each)**
- 2 SC-148 Screw (one each)**
- 3 SC-258 Screw**
- 4 NP-199A Rubber Mat (Front)**
- 5 NP-199B Rubber Mat (Heel)**

# HI-HAT STANDS

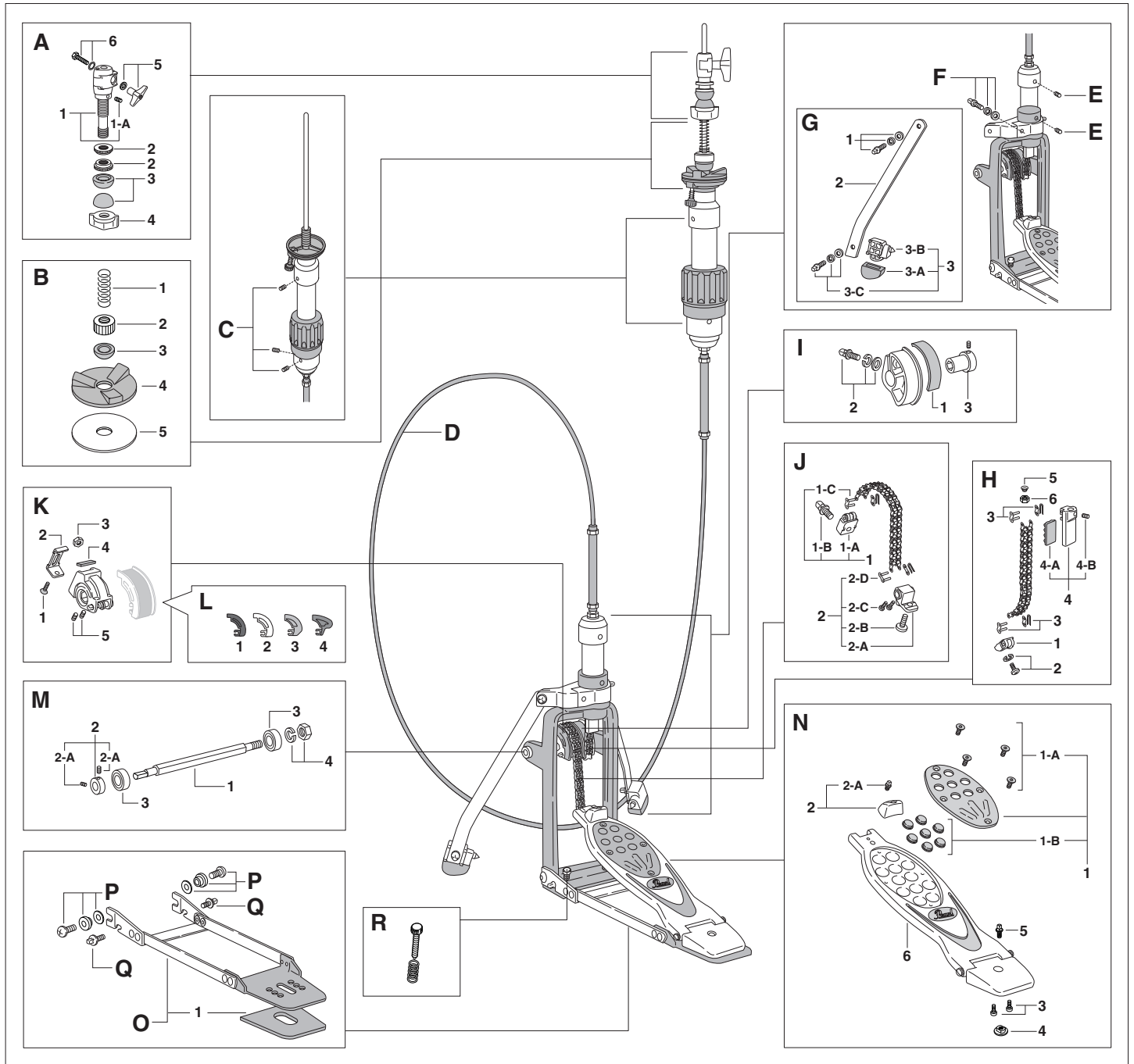
## H-2000



- |            |                 |                                             |            |                 |                                         |            |                 |                                              |
|------------|-----------------|---------------------------------------------|------------|-----------------|-----------------------------------------|------------|-----------------|----------------------------------------------|
| <b>A</b>   | <b>SGC-200P</b> | <b>Super Grip Clutch</b>                    | <b>3</b>   | <b>ME-244</b>   | Chain End Connector Assy. (one each)    | <b>3</b>   | <b>CAM-BL</b>   | Blue Cam                                     |
| <b>1</b>   | <b>DC-526A</b>  | Pipe Bolt                                   | <b>4</b>   | <b>DC-524A</b>  | Rod Connector, Complete                 | <b>4</b>   | <b>CAM-RD</b>   | Red Cam                                      |
| <b>1-A</b> | <b>SB-44</b>    | Allen Screw                                 | <b>4-A</b> | <b>NP-296</b>   | Rubber Cushion                          | <b>N</b>   | <b>ME-517A</b>  | <b>Hexagonal Axle Assy.</b>                  |
| <b>2</b>   | <b>CL-95N</b>   | Lock Nut                                    | <b>4-B</b> | <b>SB-44</b>    | Allen Screw                             | <b>1</b>   | <b>ME-517</b>   | Hexagonal Axle ONLY                          |
| <b>2-A</b> | <b>NP-210</b>   | Rubber Washer                               | <b>5</b>   | <b>SP-67</b>    | Waggle Spring                           | <b>2</b>   | <b>ME-518A</b>  | Axle Sleeve w/Allen Screws                   |
| <b>3</b>   | <b>DC-528</b>   | Bottom Lock Nut                             | <b>6</b>   | <b>NU-19</b>    | Nut                                     | <b>2-A</b> | <b>SB-44</b>    | Allen Screw                                  |
| <b>4</b>   | <b>M-6N</b>     | Die-Cast Wing Nut w/Washer                  | <b>J</b>   | <b>DC-525A</b>  | <b>Aluminum Pull Cam Assy. Complete</b> | <b>3</b>   | <b>NU-07B</b>   | Bearing (one each)                           |
| <b>5</b>   | <b>SC-168R</b>  | Clamp Bolt w/Nylon Washer                   | <b>1</b>   | <b>FE-41</b>    | Felt Strip                              | <b>4</b>   | <b>BSA-3</b>    | End Nut w/Washer                             |
| <b>6</b>   | <b>ME-145</b>   | <b>Upper Pull Rod</b>                       | <b>2</b>   | <b>KB-625W</b>  | Key Bolt w/Washers                      | <b>O</b>   | <b>FB-2000A</b> | <b>Footboard Assy. Complete</b>              |
| <b>B</b>   | <b>PP-183A</b>  | <b>Upper Tube Assy. Complete</b>            | <b>3</b>   | <b>ME-519A</b>  | Drive Shaft Sleeve w/Allen Screw        | <b>1</b>   | <b>AL-24A</b>   | Traction Plate Assy.                         |
| <b>1</b>   | <b>NP-208</b>   | Rubber Cup Washer                           | <b>K</b>   | <b>CCA-5H</b>   | <b>Double Chain Assy. Complete</b>      | <b>1-A</b> | <b>SC-344</b>   | Mounting Screw (one each)                    |
| <b>2</b>   | <b>PR-128</b>   | Steel Washer                                | <b>1</b>   | <b>DC-511AA</b> | End Connector Assy. (Top)               | <b>1-B</b> | <b>NP-283N</b>  | Traction Grip                                |
| <b>3</b>   | <b>HHC-1</b>    | Plastic Cup w/Tilter                        | <b>1-A</b> | <b>DC-511A</b>  | End Connector Bracket Only (Top)        | <b>2</b>   | <b>DC-508A</b>  | Toe Stopper Assy.                            |
| <b>4</b>   | <b>SX-4</b>     | Stop Lock, Complete                         | <b>1-B</b> | <b>KB-508</b>   | Key Bolt                                | <b>2-A</b> | <b>KB-508</b>   | Key Bolt                                     |
| <b>4-A</b> | <b>KB-630</b>   | Key Bolt                                    | <b>1-C</b> | <b>ME-244</b>   | Chain End Connector Assy. (one each)    | <b>3</b>   | <b>SC-261</b>   | Screw (one each)                             |
| <b>D</b>   | <b>LS-200</b>   | <b>Lower Pull Rod, Complete</b>             | <b>2</b>   | <b>DC-511BA</b> | End Connector Assy. (Bottom)            | <b>4</b>   | <b>DC-398</b>   | Heel Position Adjust Nut                     |
| <b>1</b>   | <b>ME-123</b>   | Pull Rod Connector ONLY                     | <b>2-A</b> | <b>DC-511B</b>  | End Connector Bracket Only (Bottom)     | <b>5</b>   | <b>KB-608</b>   | Key Bolt                                     |
| <b>2</b>   | <b>SB-44</b>    | Allen Screw                                 | <b>2-B</b> | <b>SC-322S</b>  | Screw                                   | <b>6</b>   | <b>DC-512SN</b> | Footboard ONLY                               |
| <b>E</b>   | <b>DJ-80A</b>   | <b>Die-Cast Joint Assy. Complete</b>        | <b>2-C</b> | <b>SC-284</b>   | Screw (one each)                        | <b>P</b>   | <b>PR-554F</b>  | <b>Pedal Frame Assy. Complete</b>            |
| <b>1</b>   | <b>M-6N</b>     | Die-Cast Wing Nut w/Washer                  | <b>2-D</b> | <b>ME-244</b>   | Chain End Connector Assy. (one each)    | <b>1</b>   | <b>NP-285</b>   | Rubber Mat                                   |
| <b>2</b>   | <b>NB-8N</b>    | Nylon Bushing                               | <b>L</b>   | <b>DC-509A</b>  | <b>Aluminum Wheel Assy. Complete</b>    | <b>Q</b>   | <b>ME-520A</b>  | <b>Frame Sleeve w/Screw</b>                  |
| <b>3</b>   | <b>SN-635</b>   | Clamp Bolt w/Nylon Washer                   | <b>1</b>   | <b>SC-327</b>   | Flat-head Screw                         | <b>R</b>   | <b>SC-348</b>   | <b>Key Bolt</b>                              |
| <b>4</b>   | <b>SB-44</b>    | Allen Screw                                 | <b>2</b>   | <b>PR-546</b>   | Slider Bracket                          | <b>S</b>   | <b>LT-626</b>   | <b>Anchor Screw w/Spring</b>                 |
| <b>F</b>   | <b>M-815N</b>   | <b>Die-Cast Wing Bolt</b>                   | <b>3</b>   | <b>NU-10</b>    | Hexagonal Nut                           | <b>T</b>   | <b>CT-200A</b>  | <b>Convertible Rubber Tip Assy. Complete</b> |
| <b>G</b>   | <b>SB-55</b>    | Allen Screw                                 | <b>4</b>   | <b>FE-40C</b>   | Felt                                    | <b>1</b>   | <b>NP-293</b>   | Rubber Tip ONLY                              |
| <b>H</b>   | <b>KB-625W</b>  | <b>Key Bolt w/Washers</b>                   | <b>5</b>   | <b>SB-66</b>    | Allen Screw (one each)                  | <b>2</b>   | <b>DC-523A</b>  | Spike Assy. Complete                         |
| <b>I</b>   | <b>CCA-6H</b>   | <b>Chain Assy. Complete (pull cam side)</b> | <b>M</b>   | <b>CAM-BK</b>   | Black Cam                               | <b>2-A</b> | <b>SP-33</b>    | Spring                                       |
| <b>1</b>   | <b>DC-400</b>   | Chain Connector                             | <b>1</b>   | <b>CAM-WT</b>   | White Cam                               | <b>2-B</b> | <b>KB-625W</b>  | Key Bolt w/Washers                           |
| <b>2</b>   | <b>SC-94W</b>   | Screw with Washer                           | <b>2</b>   |                 |                                         | <b>U</b>   | <b>H-20W</b>    | <b>Base Assy. Complete</b>                   |

# HI-HAT STANDS

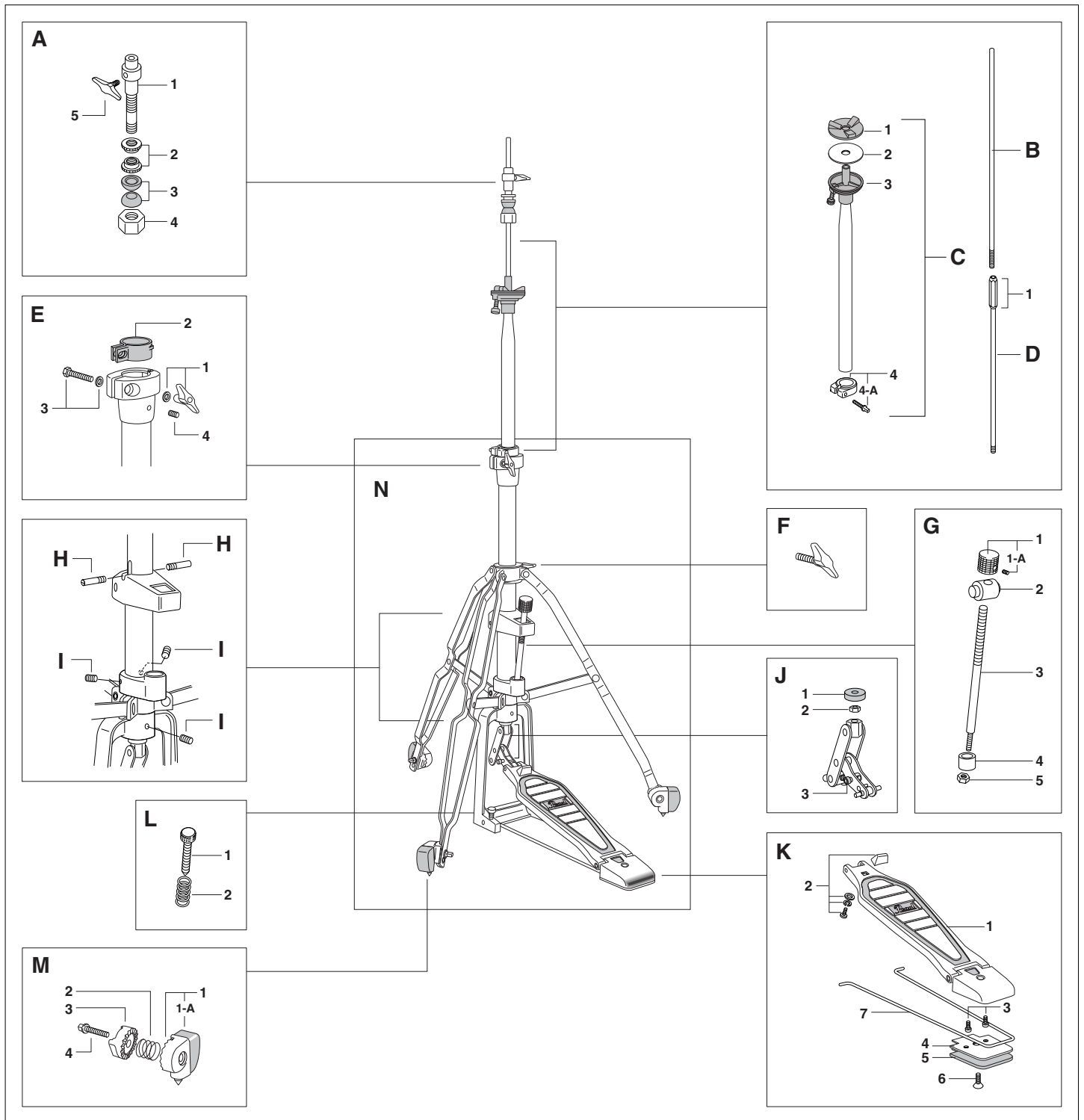
## RH-2000



<b>A</b>	<b>SGC-200P</b>	<b>Super Grip Clutch</b>	<b>H</b>	<b>CCA-6H</b>	<b>Chain Assy. Complete (pull cam side)</b>	<b>L</b>		<b>Interchangeable Cam</b>
1	DC-526A	Pipe Bolt	1	DC-400	Chain Connector	1	CAM-BK	Black Cam
1-A	SB-44	Allen Screw	2	SC-94W	Screw with Washer	2	CAM-WT	White Cam
2	CL-95N	Lock Nut	3	ME-244	Chain End Connector Assy. (one each)	3	CAM-BL	Blue Cam
3	NP-210	Rubber Washer	4	DC-524A	Rod Connector, Complete	4	CAM-RD	Red Cam
4	DC-528	Bottom Lock Nut	4-A	NP-296	Rubber Cushion	<b>M</b>	<b>ME-517A</b>	<b>Hexagonal Axle Assy.</b>
5	M-6N	Die-Cast Wing Nut w/Washer	4-B	SB-44	Allen Screw	1	ME-517	Hexagonal Axle ONLY
6	SC-168R	Clamp Bolt w/Nylon Washer	5	SP-67	Waggle Spring	2	ME-518A	Axle Sleeve w/Allen Screws
<b>B</b>	<b>CYS-200A</b>	<b>Cymbal Seat Assy.</b>	6	NU-19	Nut	2-A	SB-44	Allen Screw
1	SP-41	Spring	<b>I</b>	<b>DC-525A</b>	<b>Aluminum Pull Cam Assy. Complete</b>	3	NU-07B	Bearing (one each)
2	ME-188	Lock Nut	1	FE-41	Felt Strip	4	BSA-3	End Nut w/Washer
3	NP-210	Rubber Washer	2	KB-625W	Key Bolt w/Washers	<b>N</b>	<b>FB-2000A</b>	<b>Footboard Assy. Complete</b>
4	NP-208	Rubber Cup Washer	3	ME-519A	Drive Shaft Sleeve w/Allen Screw	1	AL-24A	Traction Plate Assy.
5	PR-128	Steel Washer	<b>J</b>	<b>CCA-5H</b>	<b>Double Chain Assy. Complete</b>	1-A	SC-344	Mounting Screw (one each)
<b>C</b>	<b>SB-55</b>	<b>Allen Screw (one each)</b>	1	DC-511AA	End Connector Assy. (Top)	1-B	NP-283N	Traction Grip
<b>D</b>	<b>CAU-2000</b>	<b>Cable Unit Complete, w/Nuts &amp; Washers</b>	1-A	DC-511A	End Connector Bracket Only (Top)	2	DC-508A	Toe Stopper Assy.
<b>E</b>	<b>SB-55</b>	<b>Allen Screw (one each)</b>	1-B	KB-508	Key Bolt	2-A	KB-508	Key Bolt
<b>F</b>	<b>KB-625W</b>	<b>Key Bolt w/Washers</b>	2	DC-511BA	Chain End Connector Assy. (one each)	3	SC-261	Screw (one each)
<b>G</b>	<b>PR-571A</b>	<b>Leg Assy. Complete</b>	2-A	DC-511B	End Connector Assy. (Bottom)	4	DC-398	Heel Position Adjust Nut
1	KB-625W	Key Bolt w/Washers	2-B	SC-322S	End Connector Bracket Only (Bottom)	5	KB-608	Key Bolt
2	PR-571	Leg ONLY	2-C	SC-284	Screw (one each)	6	DC-512SN	Footboard ONLY
3	CT-88A	Convertible Tip Assy. Complete	2-D	ME-244	Chain End Connector Assy. (one each)	<b>O</b>	<b>PR-554F</b>	<b>Pedal Frame Assy. Complete</b>
3-A	R-8H	Rubber Tip	<b>K</b>	<b>DC-509A</b>	<b>Aluminum Wheel Assy. Complete</b>	1	NP-285	Rubber Mat
3-B	AN-88	Spike	1	SC-327	Flat-head Screw	<b>P</b>	<b>ME-520A</b>	<b>Frame Sleeve w/Screw</b>
3-C	KB-615W	Key Bolt w/Washers	2	PR-546	Slider Bracket	<b>Q</b>	<b>SC-348</b>	<b>Key Bolt</b>
			3	NU-10	Hexagonal Nut	<b>R</b>	<b>LT-626</b>	<b>Anchor Screw w/Spring</b>
			4	FE-40C	Felt			
			5	SB-66	Allen Screw (one each)			

# HI-HAT STANDS

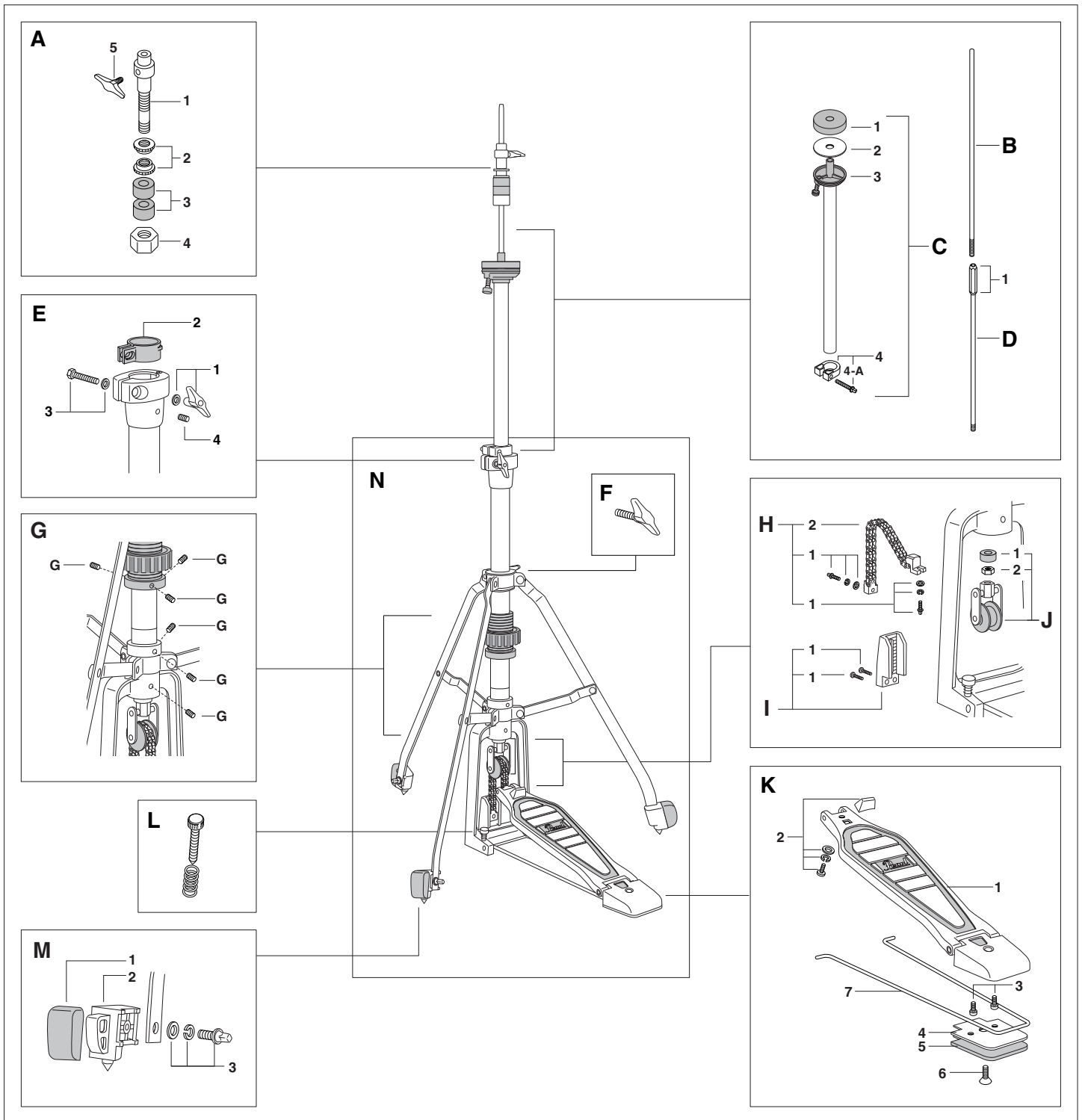
## H-985W



<b>A</b>	<b>CL-98P</b>	<b>Hi-Hat Clutch Complete</b>	3	SN-635	Clamp Bolt w/Nylon Washer	<b>K</b>	<b>FBA-98H</b>	<b>Footboard Assy. Complete</b>
1	ME-396A	Pipe Bolt	4	SB-44	Allen Screw	1	DC-402AB	Footboard ONLY
2	CL-95N	Lock Nut (one each)	<b>F</b>	<b>M-820N</b>	<b>Die-Cast Wing Bolt</b>	2	DC-392A	Toe Stopper Assy.
3	NP-210	Rubber Washer	1	<b>SAN-98A</b>	<b>Spring Adjustment Knob Assy. Complete</b>	3	SC-261	Screw (one each)
4	DC-410	Bottom Lock Nut	1	ME-412	Tension Knob w/Allen Screw	4	PR-454	Radius Rod Cover
5	M-610N	Die-Cast Wing Bolt	1-A	SB-54	Allen Screw	5	NP-209	Rubber Mat
<b>B</b>	<b>ME-145</b>	<b>Upper Pull Rod</b>	2	ME-404	Adjustment Nut	6	SC-258	Screw
<b>C</b>	<b>PP-82A</b>	<b>Upper Tube Assy. Complete</b>	3	ME-406N	Adjustment Rod	7	ME-408N	Radius Rod
1	NP-208	Rubber Cup Washer	4	ME-405	Rod Cover	<b>L</b>	<b>LT-636</b>	<b>Anchor Screw w/Spring</b>
2	PR-128	Steel Washer	5	NU-10D	Nylon Nut	<b>M</b>	<b>CT-98A</b>	<b>Convertible Tip Assy. Complete</b>
3	HHC-1	Plastic Cup w/Tilter	<b>H</b>	<b>ME-143</b>	<b>Spring Holding Screw (one each)</b>	1	DC-376A	Convertible Tip w/Rubber Cap
4	SX-2NN	Stop Lock, Complete	<b>I</b>	<b>SB-54</b>	<b>Allen Screw (one each)</b>	1-A	R-8H	Rubber Cap ONLY
4-A	KB-630	Key Bolt	<b>J</b>	<b>VA-98A</b>	<b>Vari-Link Assy. Complete</b>	2	SP-032	Spring
<b>D</b>	<b>LS-85</b>	<b>Lower Pull Rod Complete</b>	1	FE-16	Felt	3	DC-377	Die-Cast Gear Link ONLY
1	ME-123	Pull Rod Connector ONLY	2	NU-23	Nut	4	KB-630	Key Bolt
<b>E</b>	<b>DJ-70A</b>	<b>Die-Cast Joint Assy. Complete</b>	3	SC-264	Cap Screw	<b>N</b>	<b>H-98S</b>	<b>Base Assy. Complete</b>
1	M-6N	Die-Cast Wing Nut w/Washer						
2	NB-7N	Nylon Bushing						

# HI-HAT STANDS

## H-885



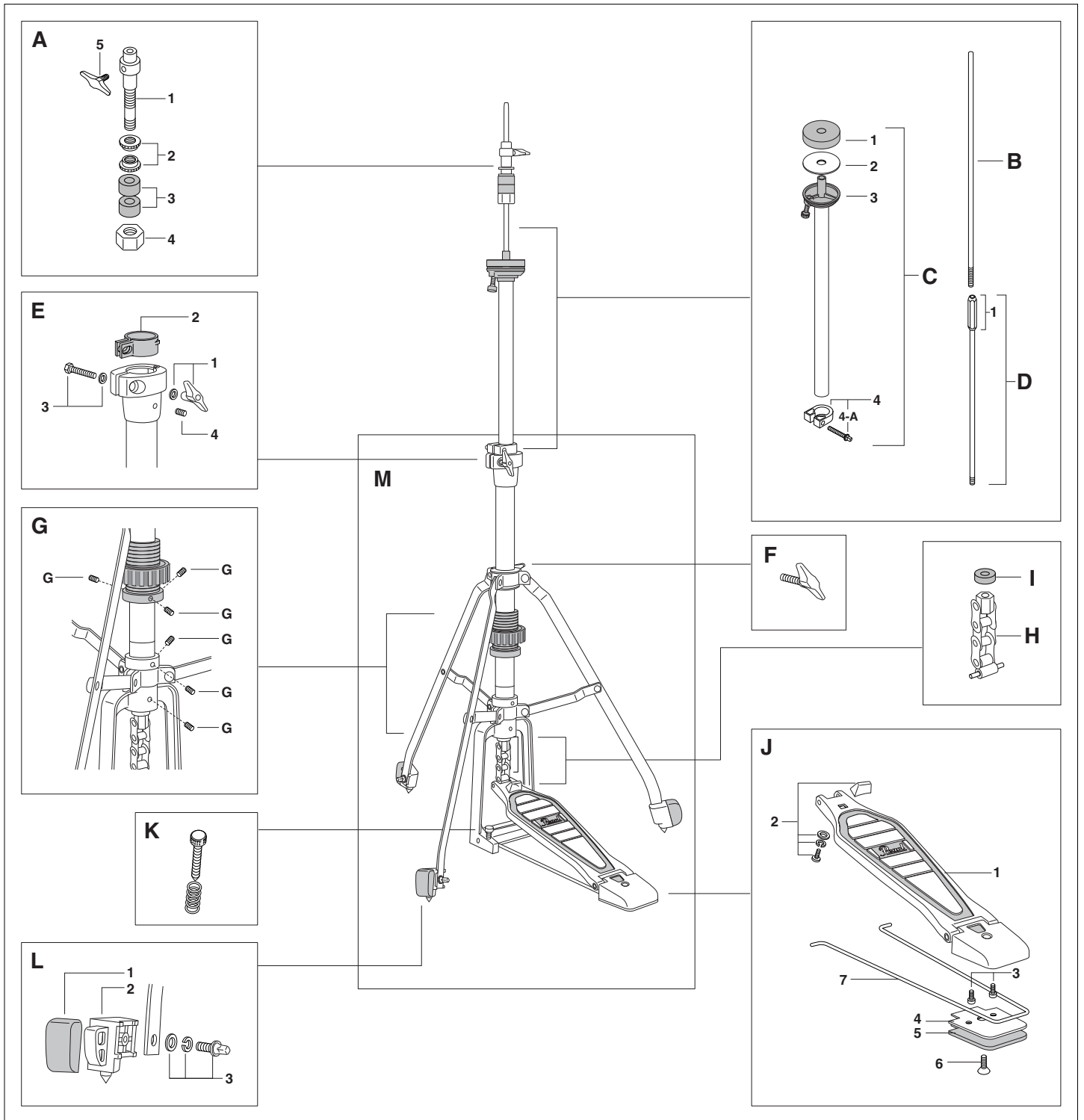
- A CL-98 Hi-Hat Clutch Complete**  
 1 ME-396A Pipe Bolt  
 2 CL-95N Lock Nut (one each)  
 3 FL-95 Felt Washer  
 4 DC-410 Bottom Lock Nut  
 5 M-610N Die-Cast Wing Bolt
- B ME-145 Upper Pull Rod**
- C HUP-1A Upper Tube Assy. Complete**  
 1 FE-17 Felt Washer  
 2 PR-128 Steel Washer  
 3 HHC-1 Plastic Cup w/Tilter  
 4 SX-4 Stop Lock, Complete  
 4-A KB-630 Key Bolt
- D LS-85 Lower Pull Rod Complete**  
 1 ME-123 Pull Rod Connector ONLY

- E DJ-80A Die-Cast Joint Assy. Complete**  
 1 M-6N Die-Cast Wing Nut w/Washer  
 2 NB-8N Nylon Bushing  
 3 SN-635 Clamp Bolt w/Nylon Washer  
 4 SB-44 Allen Screw
- F M-820N Die-Cast Wing Bolt**
- G SB-58 Allen Screw (one each)**
- H CCA-3A Connecting Chain Assy. Complete**  
 1 KB-615W Key Bolt w/Washers (one set)  
 2 CCA-3N Chain Only
- I CBA-1N Chain Connecting Base Assy.**  
 1 S-520 Clamp Screw (one each)
- J CHW-88A Chain Wheel Assy. Complete**  
 1 FE-16 Felt  
 2 NU-23 Nut

- K FBA-88HN Footboard Assy. Complete**  
 1 DC-402BS Footboard ONLY  
 2 DC-392A Toe Stopper Assy.  
 3 SC-261 Screw (one each)  
 4 PR-454 Radius Rod Cover  
 5 NP-209 Rubber Mat  
 6 SC-258 Screw  
 7 ME-408N Radius Rod
- L LT-636 Anchor Screw w/Spring**
- M CT-88A Convertible Tip Assy. Complete**  
 1 R-8H Rubber Tip  
 2 AN-88 Spike  
 3 KB-615W Key Bolt w/Washers
- N H-88SN Base Assy. Complete**

# HI-HAT STANDS

## H-855



- A CL-98 Hi-Hat Clutch Complete**  
 1 ME-396A Pipe Bolt  
 2 CL-95N Lock Nut (one each)  
 3 FL-95 Felt Washer  
 4 DC-410 Bottom Lock Nut  
 5 M-610N Die-Cast Wing Bolt
- B ME-145 Upper Pull Rod**
- C HUP-1A Upper Tube Assy. Complete**  
 1 FE-17 Felt Washer  
 2 PR-128 Steel Washer  
 3 HHC-1 Plastic Cup w/Tilter  
 4 SX-4 Stop Lock, Complete  
 4-A KB-630 Key Bolt

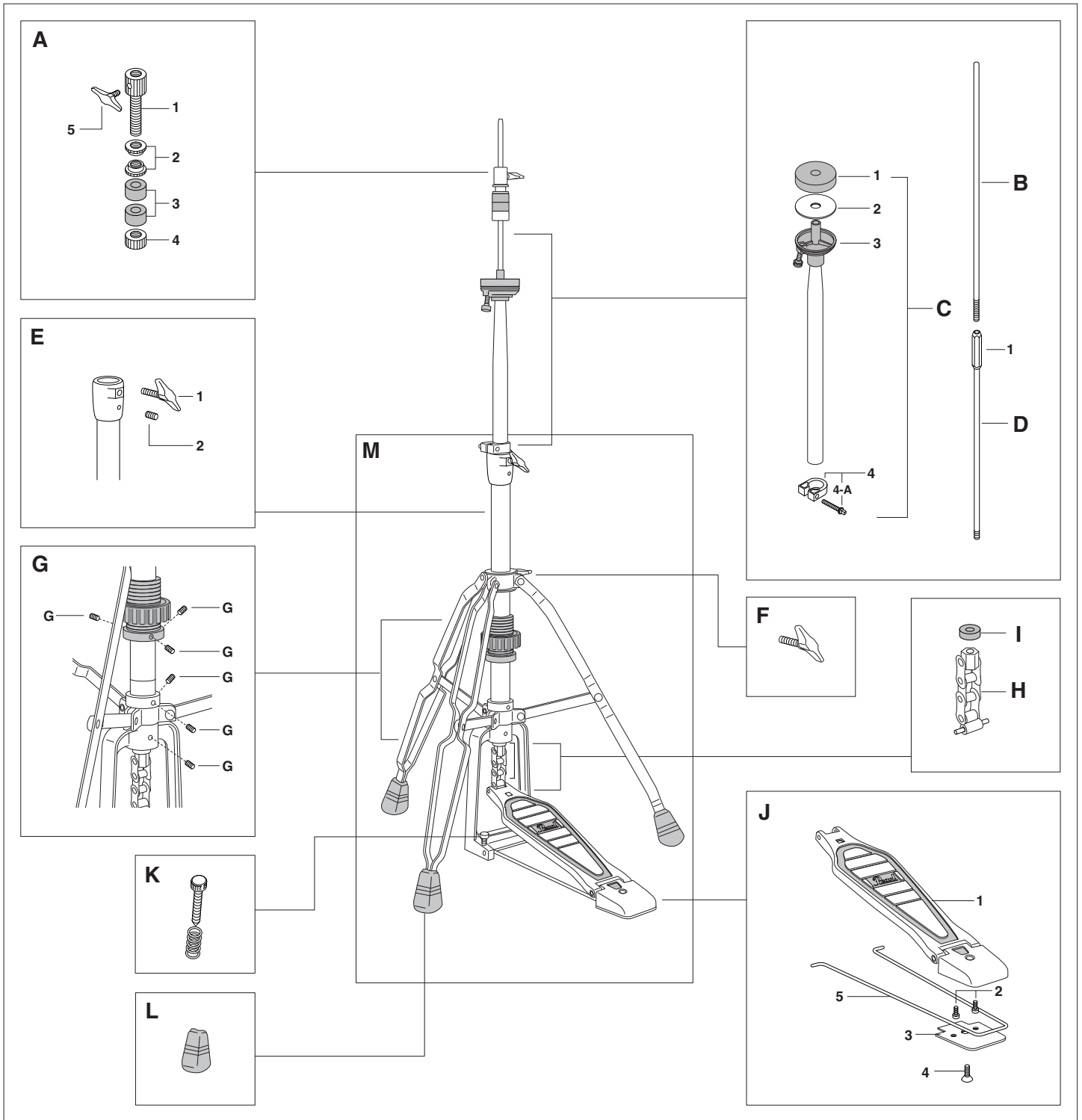
- D LS-85 Lower Pull Rod Complete**  
 1 ME-123 Pull Rod Connector ONLY
- E DJ-80A Die-Cast Joint Assy. Complete**  
 1 M-6N Die-Cast Wing Nut w/Washer  
 2 NB-8N Nylon Bushing  
 3 SN-635 Clamp Bolt w/Nylon Washer  
 4 SB-44 Allen Screw
- F M-820N Die-Cast Wing Bolt**  
**G SB-58 Allen Screw (one each)**
- H CHS-2A Chain Assy. Complete**
- I FE-16 Felt**

- J FBA-98H Footboard Assy. Complete**  
 1 DC-402S Footboard ONLY  
 2 DC-392A Toe Stopper Assy.  
 3 SC-261 Screw (one each)  
 4 PR-454 Radius Rod Cover  
 5 NP-209 Rubber Mat  
 6 SC-258 Screw  
 7 ME-408N Radius Rod
- K LT-636 Anchor Screw w/Spring**
- L CT-88A Convertible Tip Assy. Complete**  
 1 R-8H Rubber Tip  
 2 AN-88 Spike  
 3 KB-615W Key Bolt w/Washers
- M H-85SN Base Assy. Complete**



# HI-HAT STANDS

## H-800W



<b>A</b>	<b>CL-68N</b>	<b>Hi-Hat Clutch Complete</b>
1	ME-36	Pipe Bolt
2	CL-65N	Lock Nut (one each)
3	FE-10	Felt Washer
4	ME-38	Bottom Lock Nut
5	M-610N	Die-Cast Wing Bolt

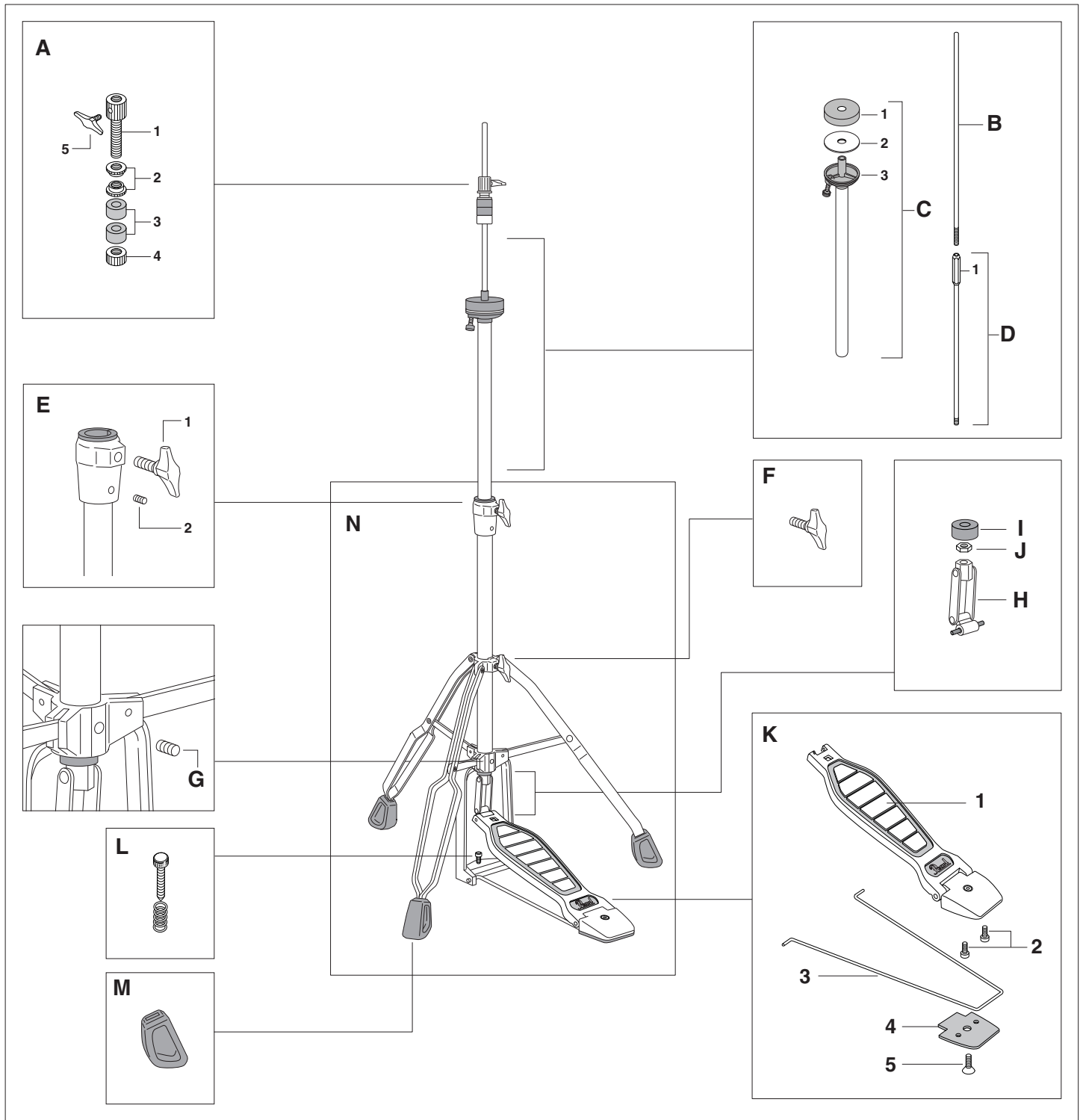
<b>B</b>	<b>ME-145</b>	<b>Upper Pull Rod</b>
<b>C</b>	<b>PP-82AF</b>	<b>Upper Tube Assy. Complete</b>
1	FE-33	Felt Washer
2	PR-128	Steel Washer
3	HHC-1	Plastic Cup w/Tilter
4	SX-2NN	Stop Lock, Complete
4-A	KB-630	Key Bolt

<b>D</b>	<b>LS-85</b>	<b>Lower Pull Rod Complete</b>
1	ME-123	Pull Rod Connector ONLY
<b>E</b>	<b>DJ-75A</b>	<b>Die-Cast Joint Assy. Complete</b>
1	M-815N	Die-Cast Wing Bolt
2	SB-44	Allen Screw
<b>F</b>	<b>M-815N</b>	<b>Die-Cast Wing Bolt</b>
<b>G</b>	<b>SB-54</b>	<b>Allen Screw (one each)</b>
<b>H</b>	<b>CHS-1A</b>	<b>Chain Assy. Complete</b>
<b>I</b>	<b>FE-16</b>	<b>Felt</b>

<b>J</b>	<b>FBA-80H</b>	<b>Footboard Assy. Complete</b>
1	DC-402S	Footboard ONLY
2	SC-261	Screw (one each)
3	PR-454	Radius Rod Cover
4	SC-258	Screw
5	ME-408N	Radius Rod
<b>K</b>	<b>LT-626</b>	<b>Anchor Screw w/Spring</b>
<b>L</b>	<b>R-22</b>	<b>Rubber Tip</b>
<b>M</b>	<b>H-80BA</b>	<b>Base Assy. Complete</b>

# HI-HAT STANDS

## H-70W



**A CL-68N Hi-Hat Clutch Complete**

- 1 ME-36 Pipe Bolt
- 2 CL-65N Lock Nut (one each)
- 3 FE-10 Felt Washer
- 4 ME-38 Bottom Lock Nut
- 5 M-610N Wing Bolt

**B ME-145 Upper Pull Rod**

**C PP-601A Upper Tube Assy. Complete**

- 1 FE-33 Felt Washer
- 2 PR-128 Steel Washer
- 3 HHC-07A Plastic Cup w/Filter

**D ME-605AN Lower Pull Rod Complete**

- 1 ME-42N Pull Rod Connector ONLY

**E DJ-07A Die-Cast Joint Assy. Complete**

- 1 M-815N Die-Cast Wing Bolt
- 2 SB-44 Allen Screw

**F M-820N Die-Cast Wing Bolt**

**G SB-54 Allen Screw**

**H ME-197AA Pull Rod Link Assy.**

- 1 FE-16 Felt
- 2 SN-6M Hexagonal Nut

**I FE-16 Felt**

**J SN-6M Hexagonal Nut**

**K FB-70HA Footboard Assy. Complete**

- 1 DC-389H Footboard ONLY
- 2 SC-261 Cap Screw (one each)
- 3 ME-611 Radius Rod ONLY
- 4 PR-454 Radius Rod Cover
- 5 SC-258 Screw

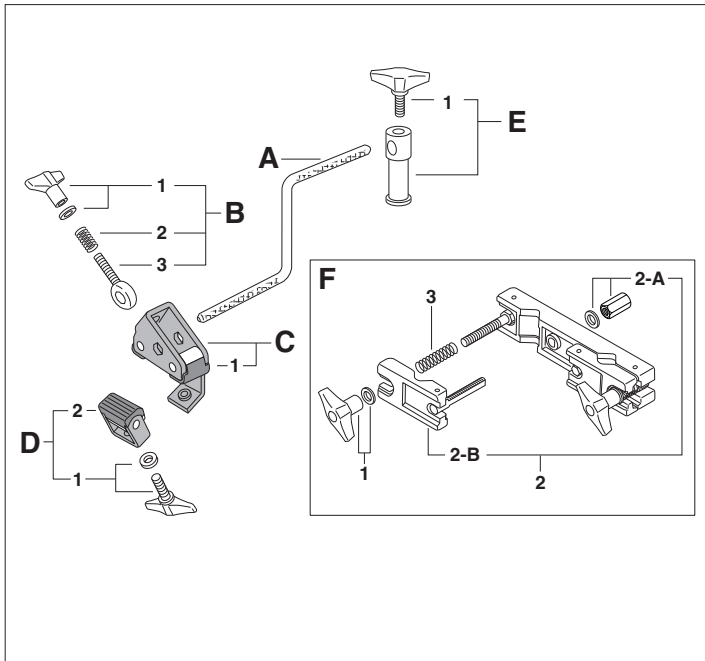
**L LT-622 Anchor Screw w/Spring**

**M NP-604 Rubber Tip**

**N H-7WL Base Assy. Complete**

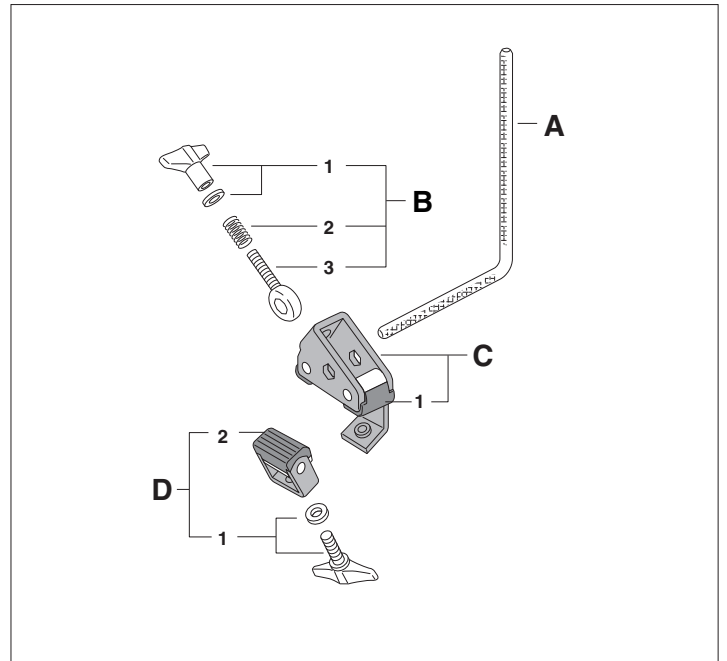
# PEDAL STABILIZER, HI-HAT ACCESSORIES

## HA-100 Hi-Hat Attachment



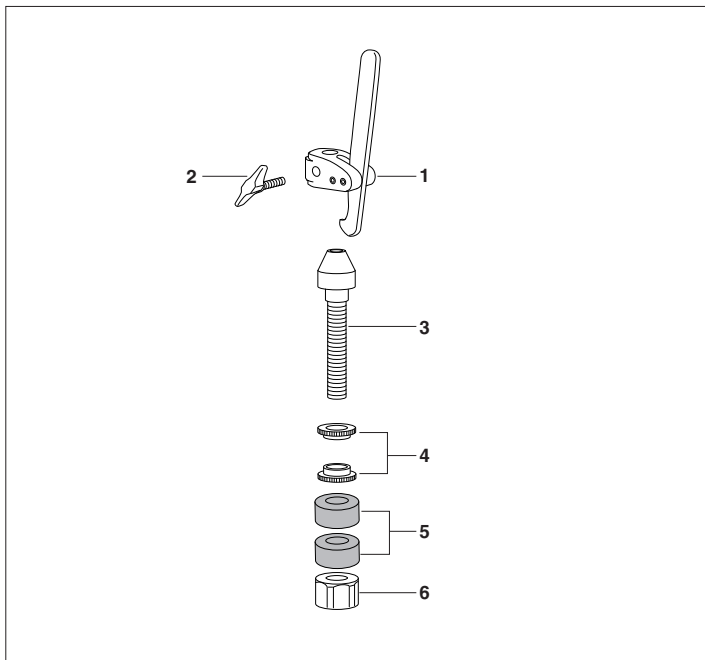
<b>A</b>	<b>ME-534</b>	<b>Crank Rod</b>	<b>E</b>	<b>ME-536A</b>	<b>Crank Rod Bracket</b>
<b>B</b>	<b>SC-271A</b>	<b>Eye Bolt Assy. Complete</b>	<b>F</b>	<b>M-815N</b>	<b>Die-Cast Wing Bolt</b>
<b>1</b>	<b>M-8AN</b>	<b>Die-Cast Wing Nut w/Washer</b>	<b>1</b>	<b>AX-20</b>	<b>Adaptor</b>
<b>2</b>	<b>SP-20S</b>	<b>Spring</b>	<b>1</b>	<b>M-8AN</b>	<b>Die-Cast Wing Nut w/Washer</b>
<b>3</b>	<b>SC-271</b>	<b>Eye Bolt Only</b>	<b>2</b>	<b>AX-2DS</b>	<b>Die-Cast Link w/Swivel Bolt, Hexagonal Nut &amp; Washer</b>
<b>C</b>	<b>PR-570A</b>	<b>Hoop Mount Holder Assy.</b>	<b>2-A</b>	<b>M-8SW</b>	<b>Hexagonal Nut &amp; Washer</b>
<b>1</b>	<b>NP-312A</b>	<b>Rubber Protector</b>	<b>2-B</b>	<b>DS-20B</b>	<b>Die-Cast Link w/Swivel Bolt</b>
<b>D</b>	<b>PR-569A</b>	<b>Hoop Clamp Assy.</b>	<b>3</b>	<b>SP-26</b>	<b>Spring</b>
<b>1</b>	<b>M-820N</b>	<b>Die-Cast Wing Bolt w/Washer</b>			
<b>2</b>	<b>NP-312B</b>	<b>Rubber Protector Only</b>			

## CA-100 Cowbell Holder



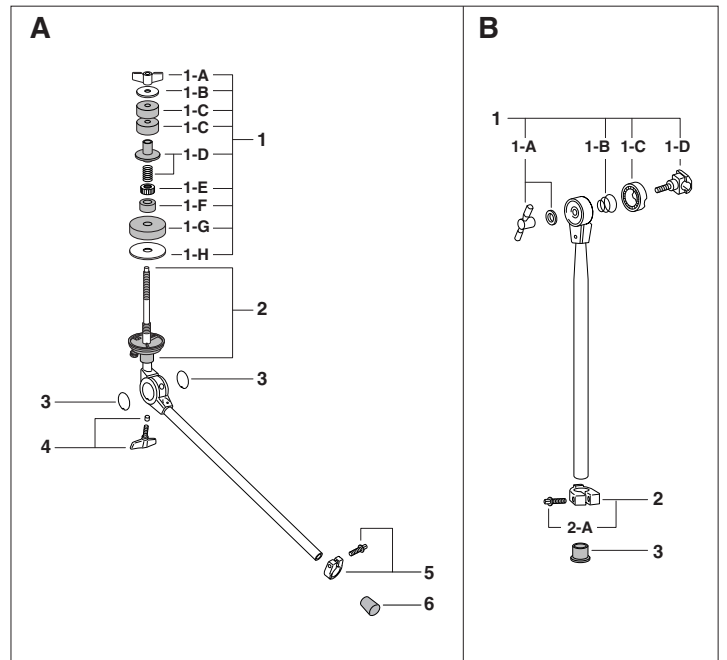
<b>A</b>	<b>ME-535</b>	<b>L Rod</b>
<b>B</b>	<b>SC-271A</b>	<b>Eye Bolt Assy. Complete</b>
<b>1</b>	<b>M-8AN</b>	<b>Die-Cast Wing Nut w/Washer</b>
<b>2</b>	<b>SP-20S</b>	<b>Spring</b>
<b>3</b>	<b>SC-271</b>	<b>Eye Bolt Only</b>
<b>C</b>	<b>PR-570A</b>	<b>Hoop Mount Holder Assy.</b>
<b>1</b>	<b>NP-312A</b>	<b>Rubber Protector</b>
<b>D</b>	<b>PR-569A</b>	<b>Hoop Clamp Assy.</b>
<b>1</b>	<b>M-820N</b>	<b>Die-Cast Wing Bolt w/Washer</b>
<b>2</b>	<b>NP-312B</b>	<b>Rubber Protector Only</b>

## DCL-90 Drop Clutch



<b>1</b>	<b>DC-409A</b>	<b>Drop Clutch Head</b>
<b>2</b>	<b>M-615N</b>	<b>Die-Cast Wing Bolt</b>
<b>3</b>	<b>ME-397</b>	<b>Pipe Bolt</b>
<b>4</b>	<b>CL-95N</b>	<b>Lock Nut (one each)</b>
<b>5</b>	<b>FL-95</b>	<b>Felt Washer</b>
<b>6</b>	<b>DC-410</b>	<b>Lock Nut</b>

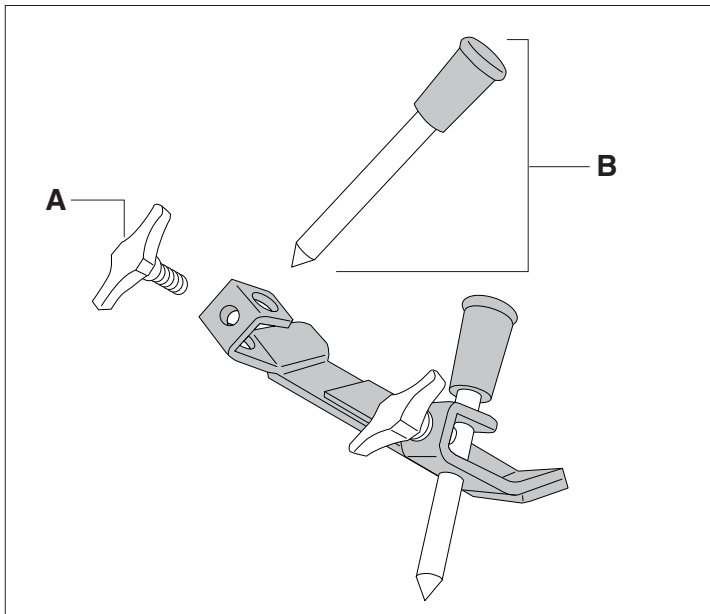
## CLH-100 Closed Hat



<b>A</b>	<b>CLH-10SN</b>	<b>Upper Section Assy. Complete</b>	<b>B</b>	<b>TU-75A</b>	<b>Tube Assy. Complete</b>
<b>1</b>	<b>TLH-100A</b>	<b>Top Section Assy.</b>	<b>1</b>	<b>BC-855A</b>	<b>Boom Clamp Assy.</b>
<b>1-A</b>	<b>M-8W</b>	<b>Die Cast Wing Nut</b>	<b>1-A</b>	<b>M-8C</b>	<b>Die-Cast Wing Nut w/Washer</b>
<b>1-B</b>	<b>WS-57</b>	<b>Steel Washer</b>	<b>1-B</b>	<b>SP-27</b>	<b>Spring</b>
<b>1-C</b>	<b>FL-95A</b>	<b>Felt Washer (one each)</b>	<b>1-C</b>	<b>DC-371</b>	<b>Clamp Gear Link</b>
<b>1-D</b>	<b>PA-95S</b>	<b>Plastic Sleeve w/Spring</b>	<b>1-D</b>	<b>BTL-85N</b>	<b>Boom Clamp Bolt</b>
<b>1-E</b>	<b>ME-188</b>	<b>Lock Nut</b>	<b>2</b>	<b>SX-2N</b>	<b>Stop Lock, Complete</b>
<b>1-F</b>	<b>FE-10</b>	<b>Felt Washer</b>	<b>2-A</b>	<b>KB-630</b>	<b>Key Bolt</b>
<b>1-G</b>	<b>FE-17</b>	<b>Felt Washer</b>	<b>3</b>	<b>NP-164</b>	<b>Plastic End Cap</b>
<b>1-H</b>	<b>PR-128</b>	<b>Steel Washer</b>			
<b>2</b>	<b>TLH-100B</b>	<b>Tilter Section Assy.</b>			
<b>3</b>	<b>B-CHS</b>	<b>Logo Plate (one each)</b>			
<b>4</b>	<b>M-815PN</b>	<b>Die Cast Wing Bolt w/Pin</b>			
<b>5</b>	<b>SX-8</b>	<b>Stop Lock, Complete</b>			
<b>6</b>	<b>NP-71</b>	<b>Plastic Tip</b>			

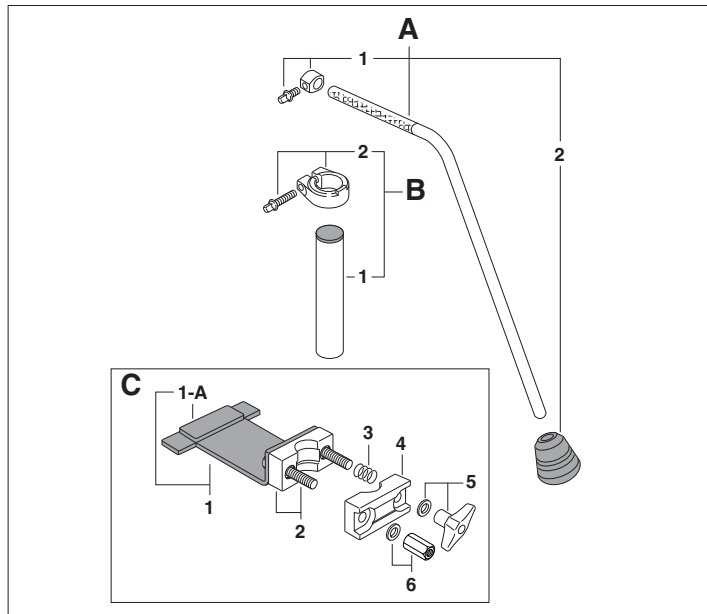
# PEDAL STABILIZER, HI-HAT ACCESSORIES

## PS-85 Stabilizer



- A** M-815N Die-Cast Wing Bolt (one each)  
**B** ME-209A Spike w/Rubber Tip (one each)

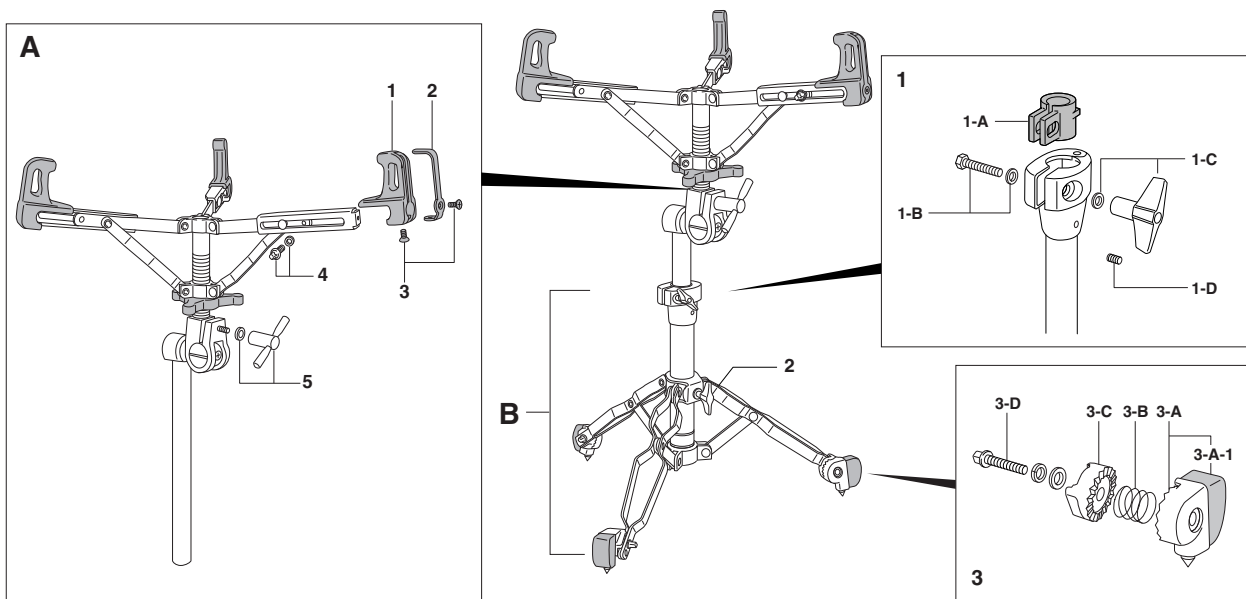
## JG-16



- |          |                |                            |          |                 |                                   |
|----------|----------------|----------------------------|----------|-----------------|-----------------------------------|
| <b>A</b> | <b>ME-508A</b> | <b>Leg Assy. Complete</b>  | <b>C</b> | <b>PR-551AC</b> | <b>Pedal Plate Assy. Complete</b> |
| 1        | LG-04S         | Stop Lock Complete         | 1        | PR-551A         | Pedal Plate ONLY                  |
| 2        | R-5            | Rubber Tip                 | 1-A      | NP-140          | Rubber Protector                  |
| <b>B</b> | <b>PP-182A</b> | <b>Pipe Assy. Complete</b> | 2        | DC-365A         | Pipe Bracket w/Bolts              |
| 1        | PP-182         | Pipe Only                  | 3        | SP-45S          | Spring                            |
| 2        | SX-2N          | Stop Lock, Complete        | 4        | DC-366          | Die-Cast Link                     |
|          |                |                            | 5        | M-8AN           | Wing Nut w/Washer                 |
|          |                |                            | 6        | M-8SW           | Hexagonal Nut w/Washer            |

# SNARE STANDS

## S-2000

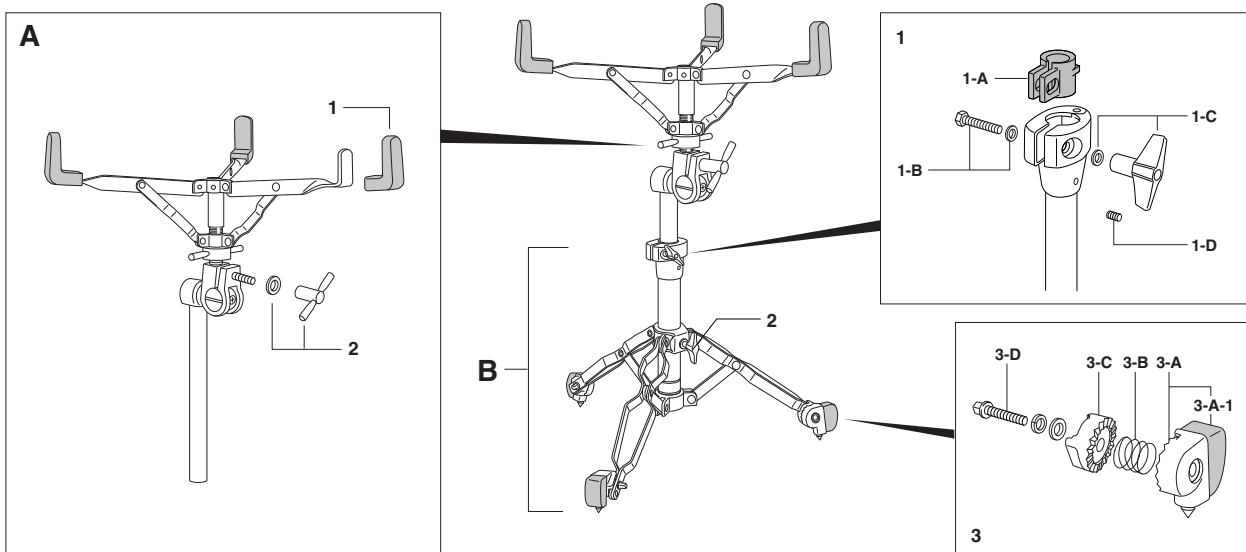


- A S-200A Basket Complete**
- 1 NP-320 Rubber Sleeve (one each)
  - 2 PR-573 Rubber Sleeve Support Plate
  - 3 SC-344 Screw (one each)
  - 4 KB-610W Key Bolt w/Washer
  - 5 M-8C Large Handle Nut w/Washer

- B S-98B Base Assy. Complete**
- 1 DJ-70A Die-Cast Joint Assy. Complete
  - 1-A NB-7N Nylon Bushing
  - 1-B SN-635 Clamp Bolt w/Nylon Washer
  - 1-C M-6N Die-Cast Wing Nut w/Washer
  - 1-D SB-44 Allen Screw
  - 2 M-820N Die-Cast Wing Bolt

- 3 CT-98A Convertible Tip Assy. Complete (one each)
- 3-A DC-376A Convertible Tip w/Rubber Cap
- 3-A-1 R-8H Rubber Cap ONLY
- 3-B SP-032 Spring
- 3-C DC-377 Die-Cast Gear Link ONLY
- 3-D KB-630 Key Bolt

## S-985W



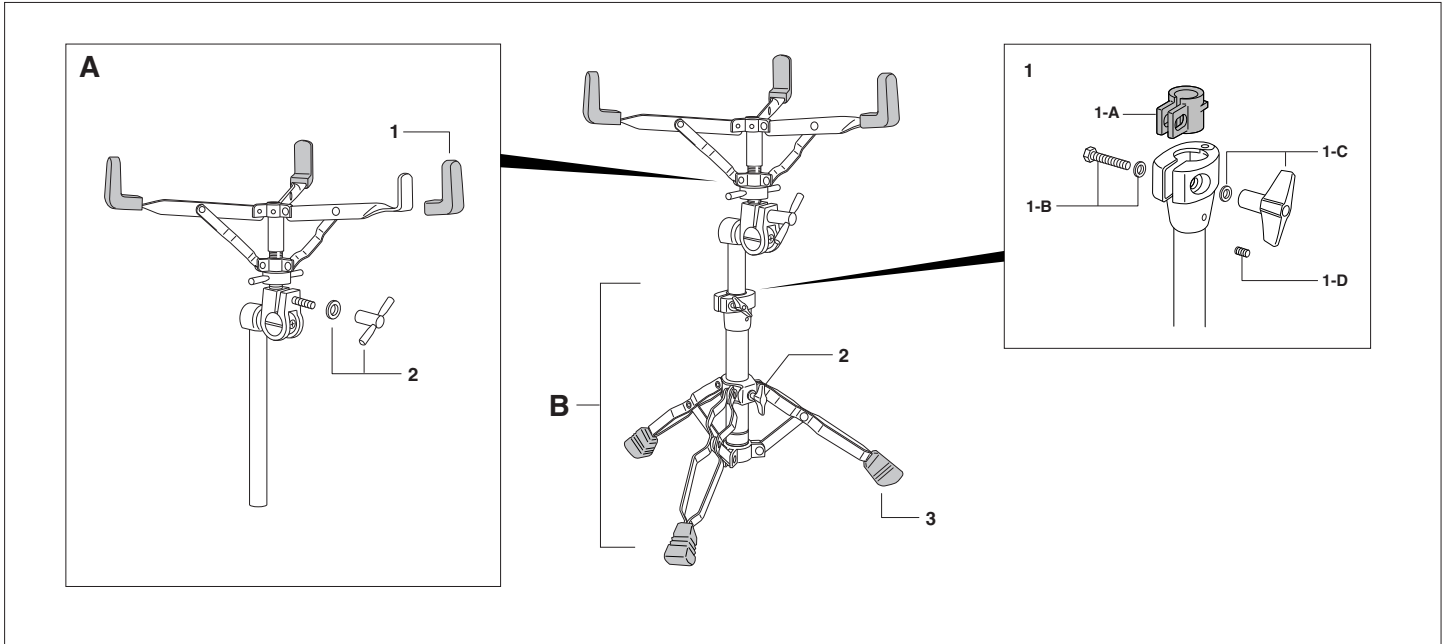
- A S-88A Basket Complete**
- 1 S-85C Rubber Sleeve (one each)
  - 2 M-8C Large Handle Nut w/Washer

- B S-98B Base Assy. Complete**
- 1 DJ-70A Die-Cast Joint Complete
  - 1-A NB-7N Nylon Bushing
  - 1-B SN-635 Clamp Bolt w/Nylon Washer
  - 1-C M-6N Die-Cast Wing Nut w/Washer
  - 1-D SB-44 Allen Screw
  - 2 M-820N Die-Cast Wing Bolt

- 3 CT-98A Convertible Tip Assy. Complete (one each)
- 3-A DC-376A Convertible Tip w/Rubber Cap
- 3-A-1 R-8H Rubber Cap ONLY
- 3-B SP-032 Spring
- 3-C DC-377 Die-Cast Gear Link ONLY
- 3-D KB-630 Key Bolt

# SNARE STANDS

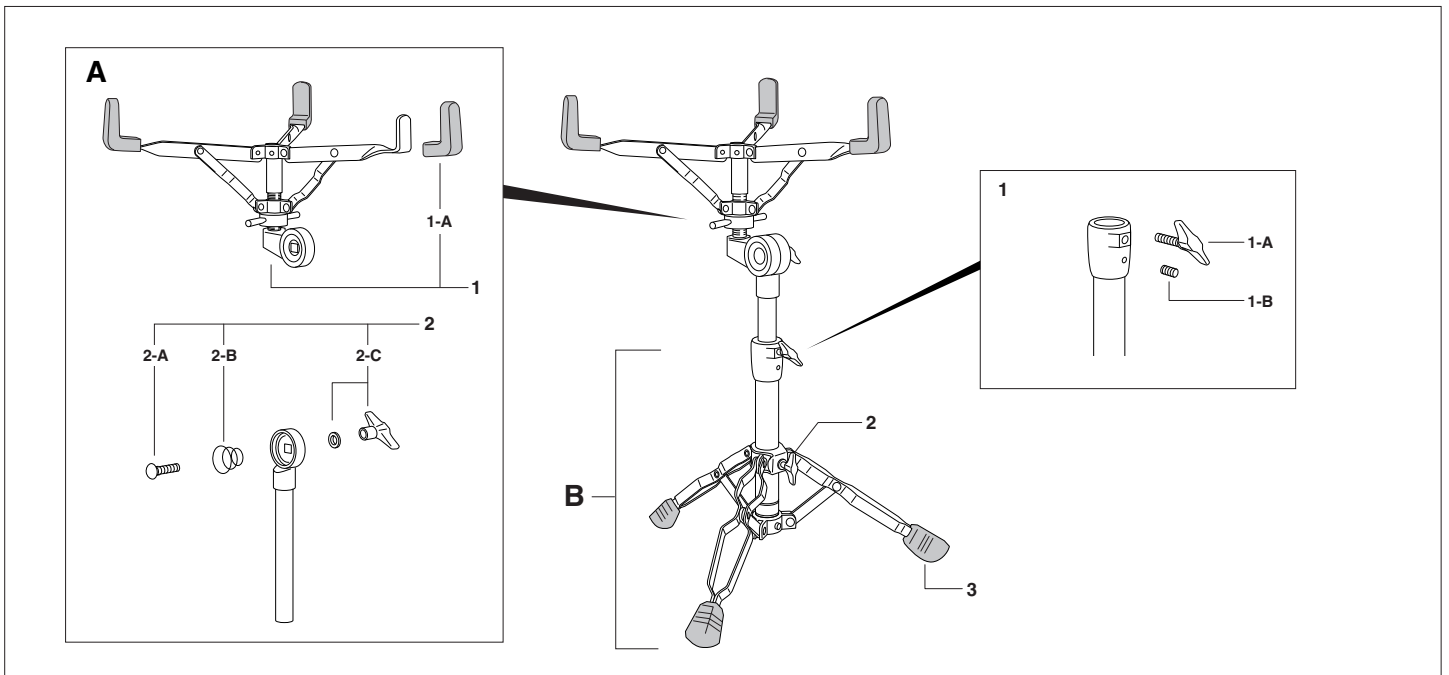
## S-885W



A	S-88A	上部一式	¥5,000
1	S-85C	アームカバー	¥200
2	MB	ハンドルナット(ワッシャー付)	¥500

B	S-85B	脚部一式	¥7,000
1	DJ-70A	ダイカストジョイント一式	¥2,000
1-A	NB-7N	ナイロンブッシング	¥150
1-B	S-635	クランプボルト(ナイロンワッシャー付)	¥150
1-C	MB	ウイングナット(ワッシャー付)	¥250
1-D	S-44	アレンスクリュー	¥50
2	MB20N	ウイングボルト	¥300
3	R20	ラバーチップ(脚ゴム)	¥300

## S-800W



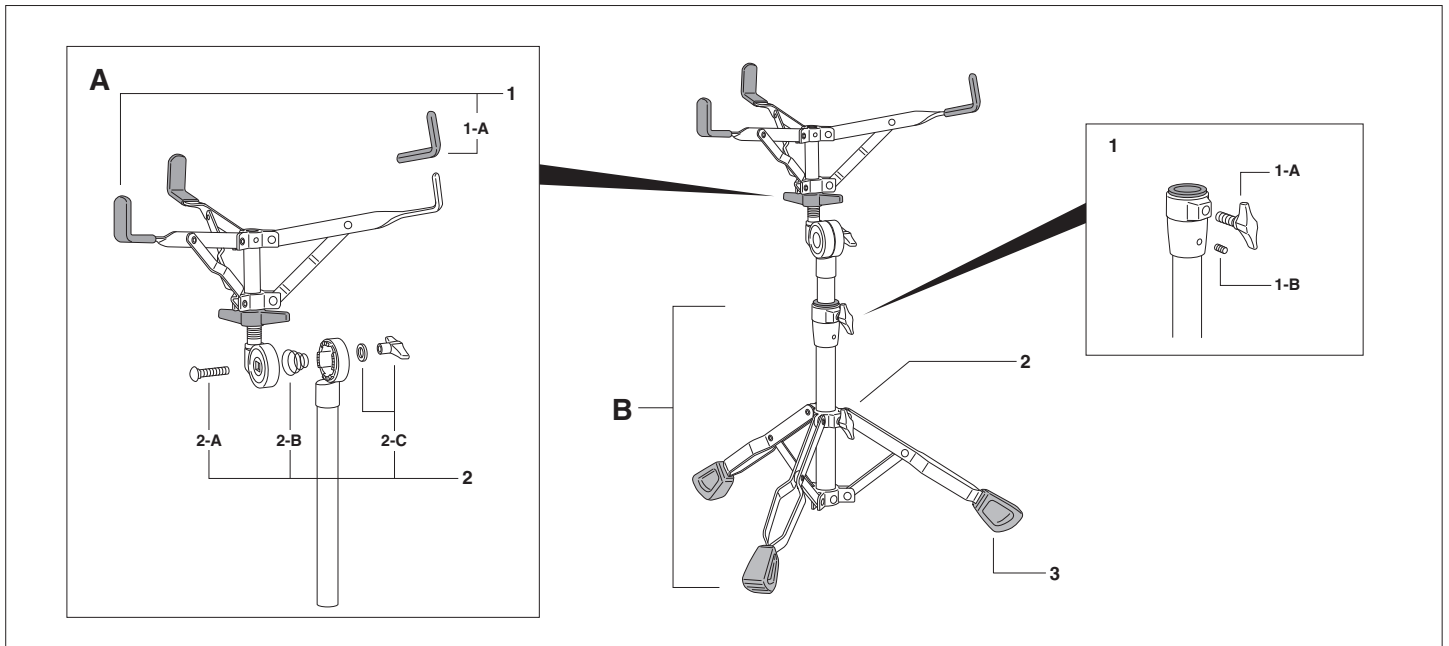
A	S-80AN	上部一式	¥4,800
1	S-80AAN	アーム部一式	¥3,800
1-A	S85C	アームカバー	¥200
2	S-85A	クランプボルトセット	¥500
2-A	S-36B	クランプボルト	¥200
2-B	S-27	スプリング	¥200
2-C	MBAN	ウイングナット(ワッシャー付)	¥250

B	S-80B	脚部一式	¥6,800
1	D-75A	ダイカストジョイント一式	¥1,800
1-A	MB15N	ウイングボルト	¥300
1-B	S-44	アレンスクリュー	¥50
2	MB20N	ウイングボルト	¥300
3	R20	ラバーチップ(脚ゴム)	¥300



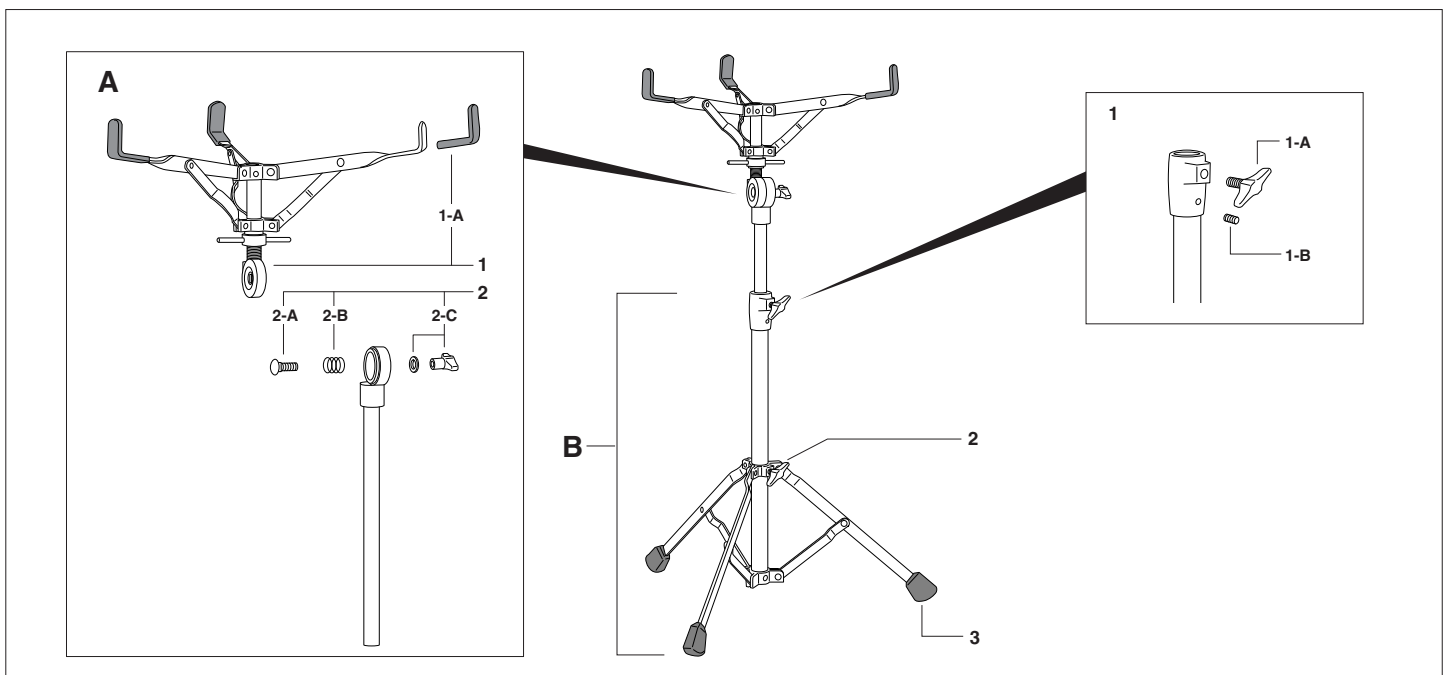
# SNARE STANDS

## S-70W



<b>A</b>	<b>S-07A</b>	<b>Basket Complete</b>	<b>B</b>	<b>PP-611A</b>	<b>Base Assy. Complete</b>
1	S-07AA	Basket Assy. w/Rubber Sleeves	1	DJ-07A	Die-Cast Joint Complete
1-A	S-75C	Rubber Sleeve (one each)	1-A	M-815N	Die-Cast Wing Bolt
2	SN-85A	Bolt & Nut Set w/Spring	1-B	SB-44	Allen Screw
2-A	SC-36B	Clamp Bolt	2	M-820N	Die-Cast Wing Bolt
2-B	SP-27	Spring	3	NP-604	Rubber Tip
2-C	M-8AN	Die-Cast Wing Nut w/Washer			

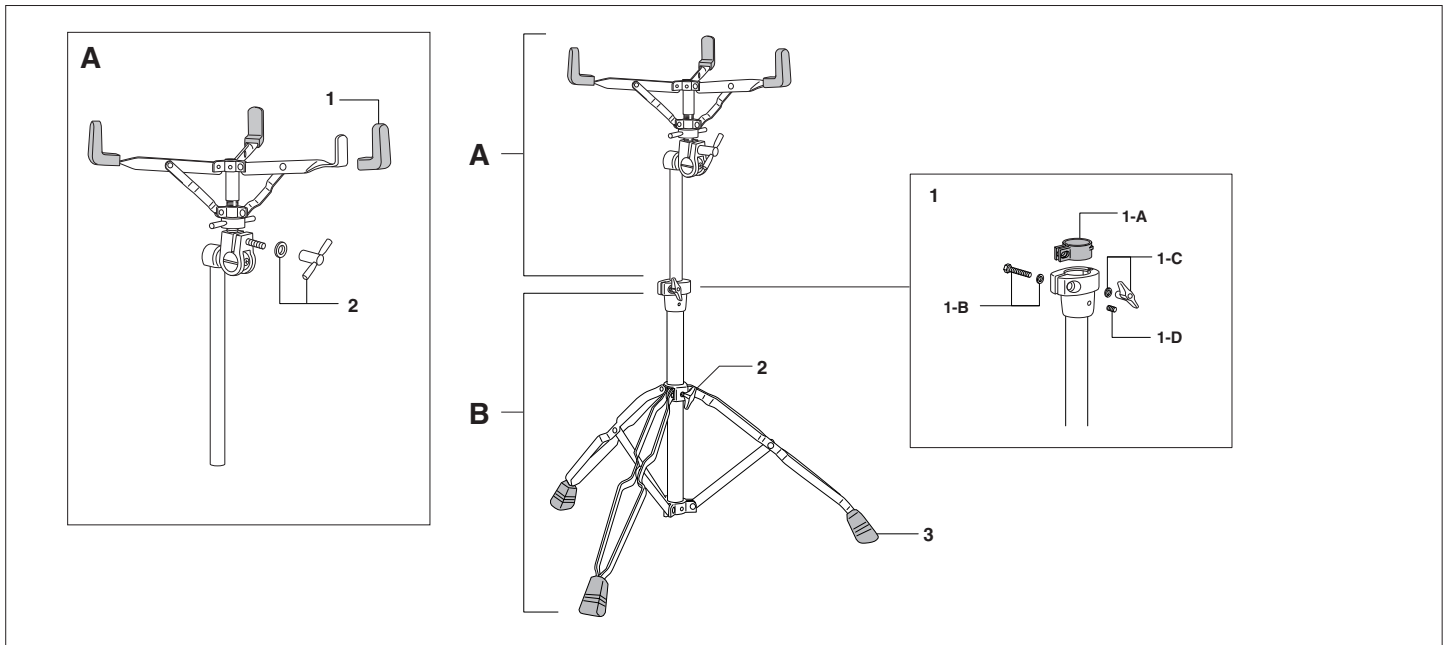
## S-700L



<b>A</b>	<b>S-70A</b>	<b>Basket Complete</b>	<b>B</b>	<b>S-70BL</b>	<b>Base Assy. Complete</b>
1	S-70AA	Basket Assy. w/Rubber Sleeves	1	DJ-55A	Die-Cast Joint Complete
1-A	S-75C	Rubber Sleeve (one each)	1-A	M-815N	Die-Cast Wing Bolt
2	SN-70A	Bolt & Nut Set w/Spring	1-B	SB-44	Allen Screw
2-A	SC-33	Clamp Bolt	2	M-815N	Die-Cast Wing Bolt
2-B	SP-17	Spring	3	NP-12	Rubber Tip
2-C	M-8AN	Die-Cast Wing Nut w/Washer			

# SNARE STANDS

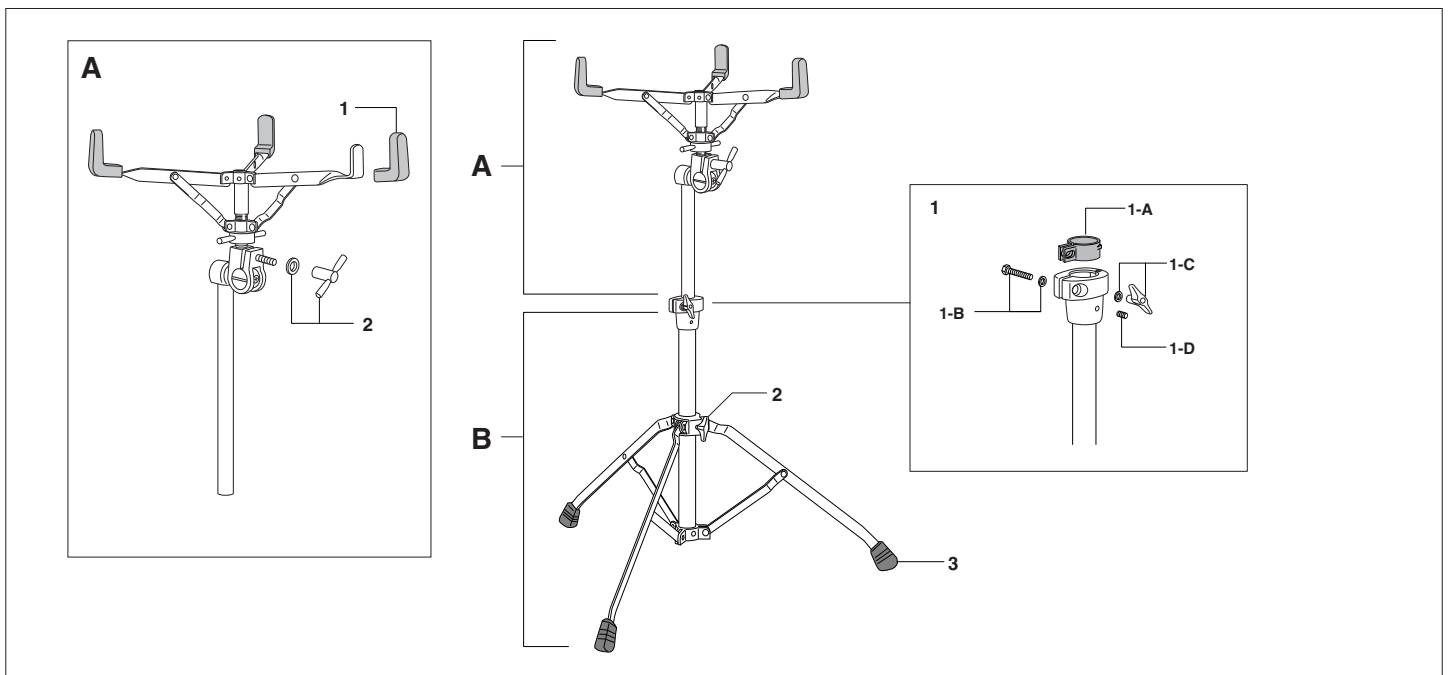
## S-885WL



**A S-88A Basket Complete**  
 1 S-85C Rubber Sleeve (one each)  
 2 M-8C Large Handle Nut w/Washer

**B BA-92BW Base Assy. Complete**  
 1 DJ-70A Die-Cast Joint Assy. Complete  
 1-A NB-7N Nylon Bushing  
 1-B SN-635 Clamp Bolt w/Nylon Washer  
 1-C M-6N Die-Cast Wing Nut w/Washer  
 1-D SB-44 Allen Screw  
 2 M-820N Die-Cast Wing Bolt  
 3 R-22 Rubber Tip

## S-885L

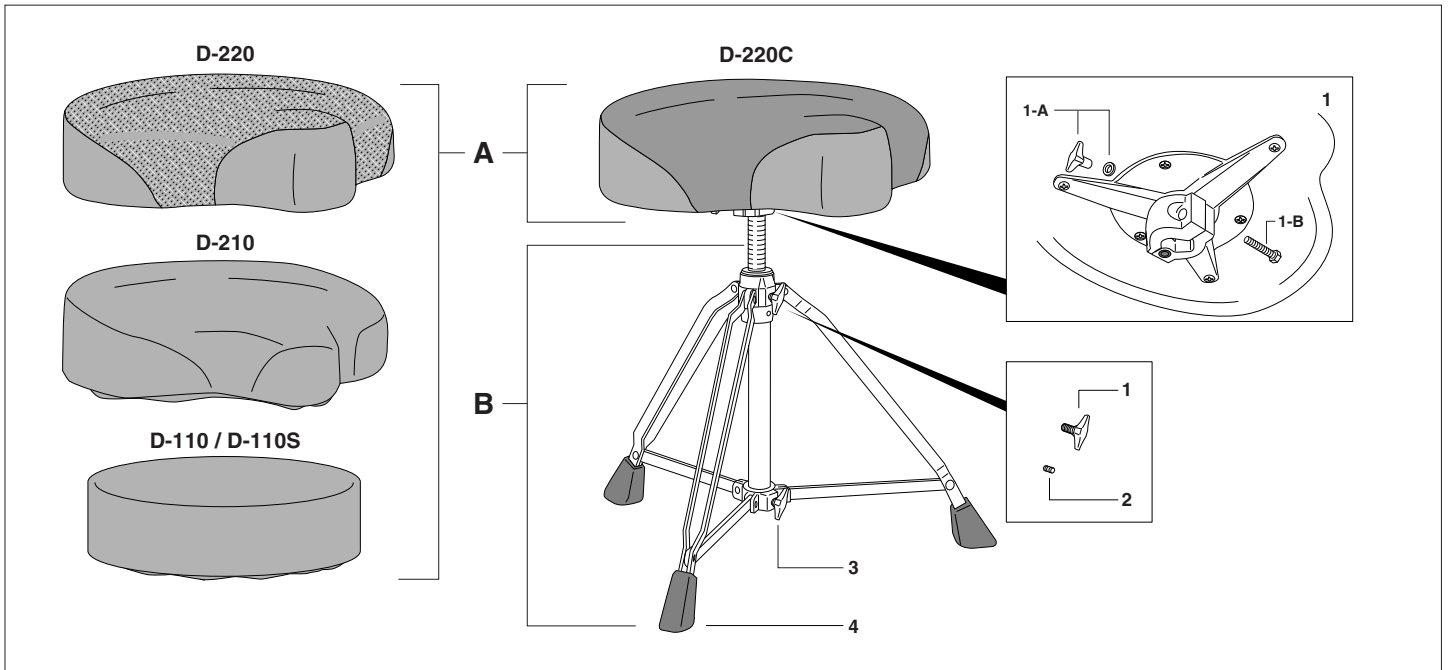


**A S-88A Basket Complete**  
 1 S-85C Rubber Sleeve (one each)  
 2 M-8C Large Handle Nut w/Washer

**B BA-92BS Base Assy. Complete**  
 1 DJ-70A Die-Cast Joint Assy. Complete  
 1-A NB-7N Nylon Bushing  
 1-B SN-635 Clamp Bolt w/Nylon Washer  
 1-C M-6N Die-Cast Wing Nut w/Washer  
 1-D SB-44 Allen Screw  
 2 M-820N Die-Cast Wing Bolt  
 3 R-10 Rubber Tip

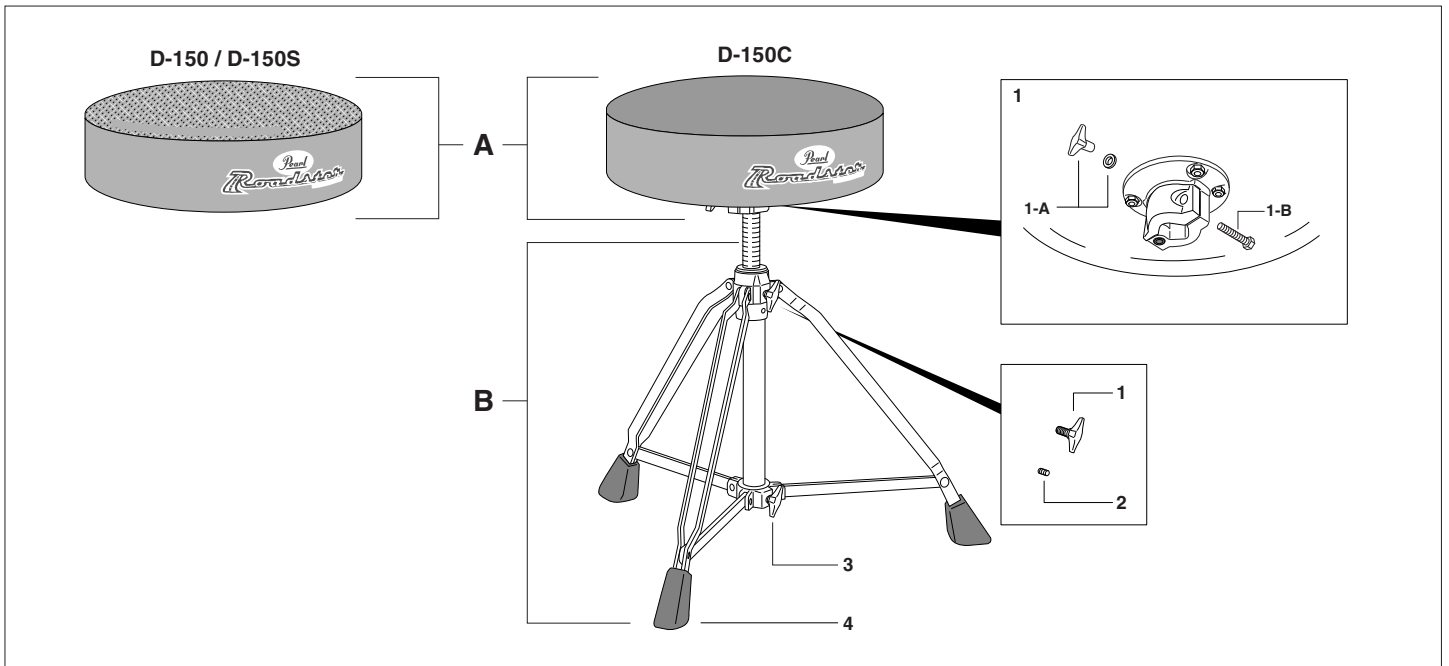
# DRUM THRONES

## D-220 / 220C / 210 / 110 / 110S



- |                                                                                                                                                                                                                                                                                                                                |                                                                                                                                                                                                                      |
|--------------------------------------------------------------------------------------------------------------------------------------------------------------------------------------------------------------------------------------------------------------------------------------------------------------------------------|----------------------------------------------------------------------------------------------------------------------------------------------------------------------------------------------------------------------|
| <p><b>A</b> SE-22A Bike Style AirFlo Vinyl Seat (D-220)</p> <p>SE-22CA Bike Style Cloth Top Seat (D-220C)</p> <p>SE-21A Bike Style Vinyl Seat (D-210)</p> <p>SE-11A Padded Vinyl Seat (D-110, D-110S)</p> <p>1 DC-487A Rod Bracket Assy. Complete</p> <p>1-A M-8AN Die-Cast Wing Nut w/Washer</p> <p>1-B HX-835 Clamp Bolt</p> | <p><b>B</b> D-11A Base Assy. Complete</p> <p>D-11SA Base Assy. Complete Short (D-110S)</p> <p>1 M-820N Die-Cast Wing Bolt</p> <p>2 SB-55 Allen Screw</p> <p>3 M-815N Die-Cast Wing Bolt</p> <p>4 R-26 Rubber Tip</p> |
|--------------------------------------------------------------------------------------------------------------------------------------------------------------------------------------------------------------------------------------------------------------------------------------------------------------------------------|----------------------------------------------------------------------------------------------------------------------------------------------------------------------------------------------------------------------|

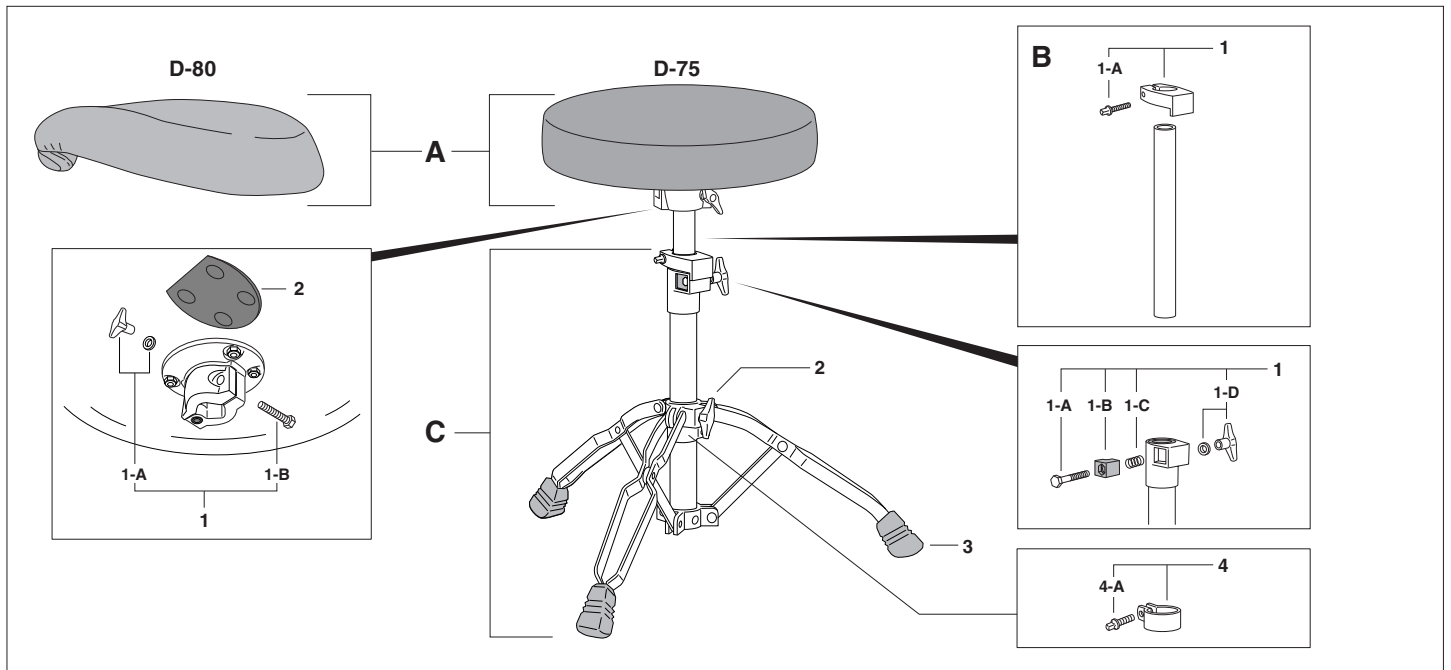
## D-150 / 150C / 150S



- |                                                                                                                                                                                                                                    |                                                                                                                                                                                                                                                |
|------------------------------------------------------------------------------------------------------------------------------------------------------------------------------------------------------------------------------------|------------------------------------------------------------------------------------------------------------------------------------------------------------------------------------------------------------------------------------------------|
| <p><b>A</b> SE-15A Padded AirFlo Vinyl Seat (D-150, D-150S)</p> <p>SE-15CA Padded Cloth Top Seat (D-150C)</p> <p>1 DC-498A Rod Bracket Assy. Complete</p> <p>1-A M-8AN Die-Cast Wing Nut w/Washer</p> <p>1-B HX-835 Clamp Bolt</p> | <p><b>B</b> D-11A Base Assy. Complete (D-150, D-150C)</p> <p>D-11SA Base Assy. Complete, Short (D-150S)</p> <p>1 M-820N Die-Cast Wing Bolt w/Washer</p> <p>2 SB-55 Allen Screw</p> <p>3 M-815N Die-Cast Wing Bolt</p> <p>4 R-26 Rubber Tip</p> |
|------------------------------------------------------------------------------------------------------------------------------------------------------------------------------------------------------------------------------------|------------------------------------------------------------------------------------------------------------------------------------------------------------------------------------------------------------------------------------------------|

# DRUM THRONES

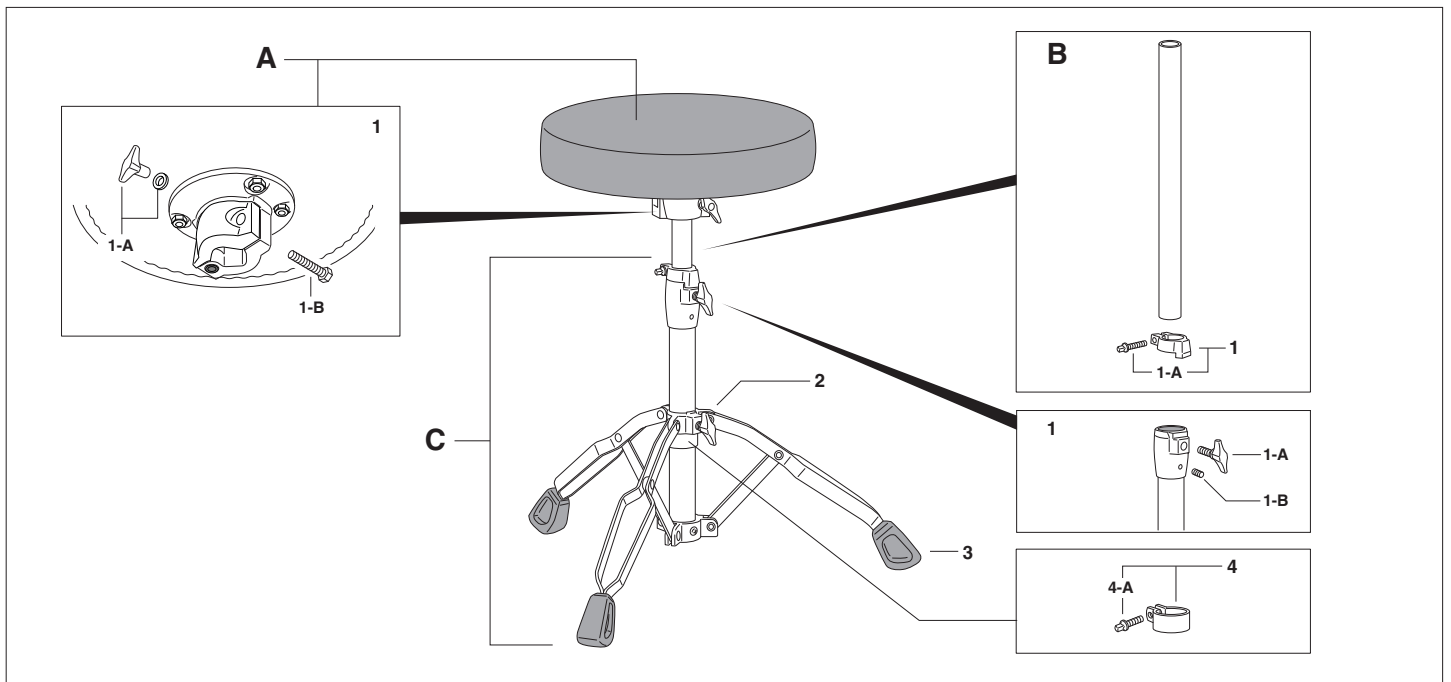
## D-80/75



- A NP-274 Padded Bike Style Seat (D-80)**  
**NP-88N Padded Vinyl Seat (D-75)**  
**1 DC-498A Rod Bracket Assy. Complete**  
**1-A M-8AN Die-Cast Wing Nut w/Washer**  
**1-B HX-835 Clamp Bolt**  
**2 NP-279 Bracket Spacer (D-80)**
- B SF-85AA Height Adjustment Rod Assy. Complete**  
**1 SX-5 Stop Lock, Complete**  
**1-A KB-630 Key Bolt**

- C D-75A Base Assy. Complete**  
**1 DW-85SN Bolt & Nut Assy. Complete**  
**1-A ME-198 Clamp Bolt**  
**1-B BS-1 Block Stopper**  
**1-C SP-36 Spring**  
**1-D M-8BN Die-Cast Wing Nut w/Washer**  
**2 M-815N Die-Cast Wing Bolt**  
**3 R-20 Rubber Tip**  
**4 SX-7 Stop Lock, Complete**  
**4-A SC-40 Key Bolt**

## D-70W

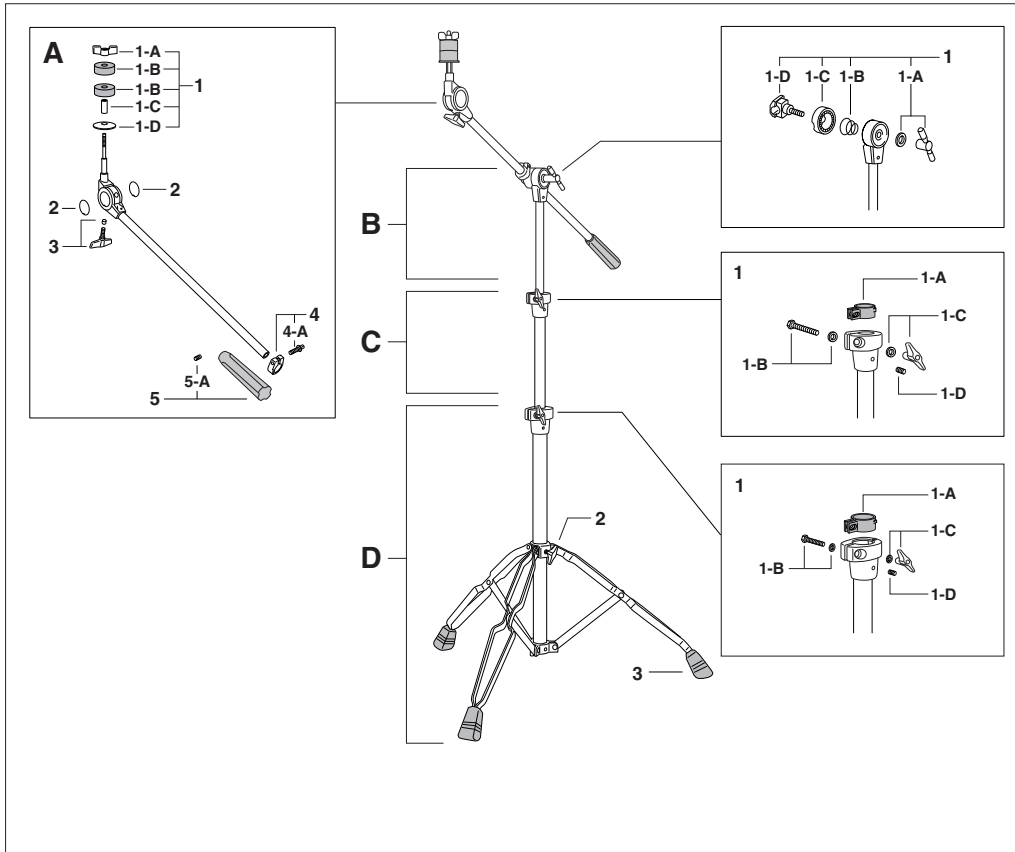


- A NP-609 Padded Vinyl Seat**  
**1 DC-498A Rod Bracket Assy. Complete**  
**1-A M-8AN Die-Cast Wing Nut w/Washer**  
**1-B HX-835 Clamp Bolt**
- B PP-610A Height Adjustment Rod Assy. Complete**  
**1 SX-07 Stop Lock, Complete**  
**1-A SC-60 Key Bolt**

- C PP-609A Base Assy. Complete**  
**1 DJ-07A Die-Cast Joint Assy. Complete**  
**1-A M-815N Die-Cast Wing Bolt**  
**1-B SB-44 Allen Screw**  
**2 M-815N Die-Cast Wing Bolt**  
**3 NP-604 Rubber Tip**  
**4 SX-7 Stop Lock, Complete**  
**4-A SC-40 Key Bolt**

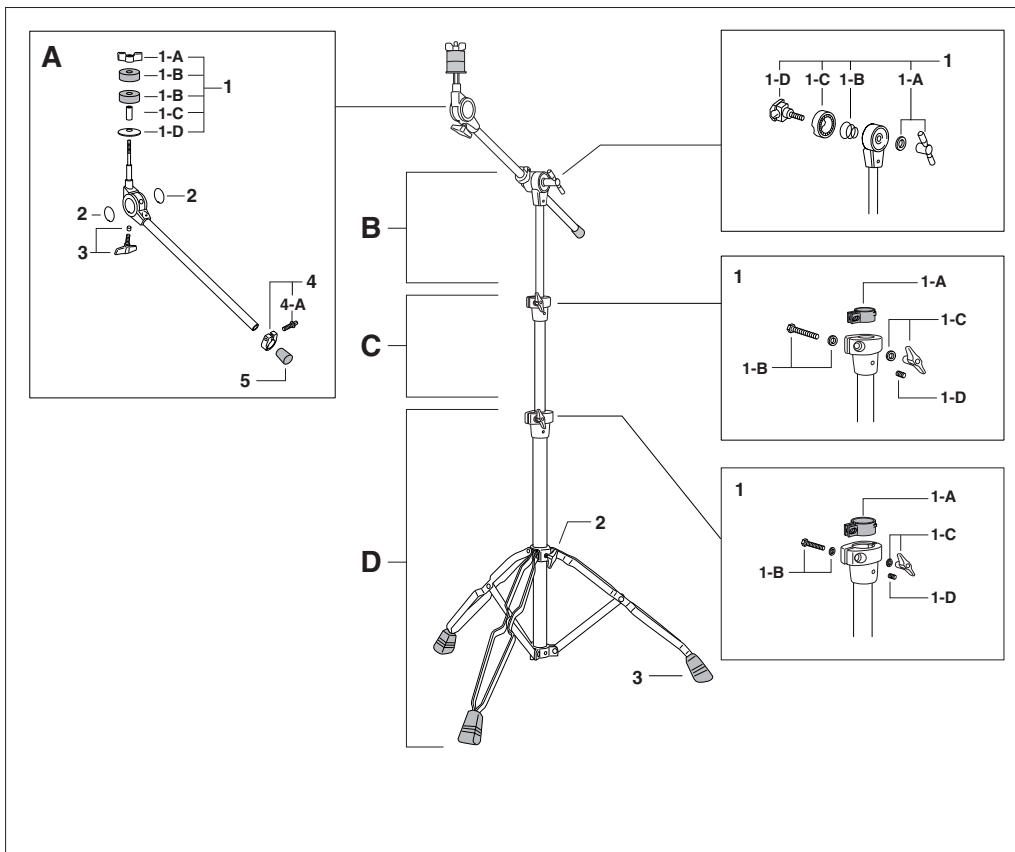
# CYMBAL BOOM STANDS

## B-855WL



- A B-88LN Boom Arm Assy. Complete**  
 1 FL-90A Upper Tilter Section Complete  
 1-A M-8W Die-Cast Wing Nut  
 1-B FL-90 Felt Washer  
 1-C NP-69 Plastic Sleeve  
 1-D PR-135 Cup Washer  
 2 B-CHS Logo Plate (one each)  
 3 M-815PN Die-Cast Wing Bolt w/Pin  
 4 SX-8 Stop Lock, Complete  
 4-A KB-625 Key Bolt  
 5 BOW-3 Boom Weight w/Allen Screw  
 5-A SB-55 Allen Screw
- B TU-85AN Upper Tube Assy. Complete**  
 1 BC-855A Boom Clamp Assy. Complete  
 1-A M-8C Die-Cast Wing Nut w/Washer  
 1-B SP-27N Spring  
 1-C DC-371 Clamp Gear Link  
 1-D BTL-85N Boom Clamp Bolt
- C CP-50A Center Tube Assy. Complete**  
 1 DJ-50A Die-Cast Joint Assy. Complete  
 1-A NB-5N Nylon Bushing  
 1-B SN-635 Clamp Bolt w/Nylon Washer  
 1-C M-6N Die-Cast Wing Nut w/Washer  
 1-D SB-44 Allen Screw
- D BA-92BW Base Assy. Complete**  
 1 DJ-70A Die-Cast Joint Assy. Complete  
 1-A NB-7N Nylon Bushing  
 1-B SN-635 Clamp Bolt w/Nylon Washer  
 1-C M-6N Die-Cast Wing Nut w/Washer  
 1-D SB-44 Allen Screw  
 2 M-820N Die-Cast Wing Bolt  
 3 R-22 Rubber Tip

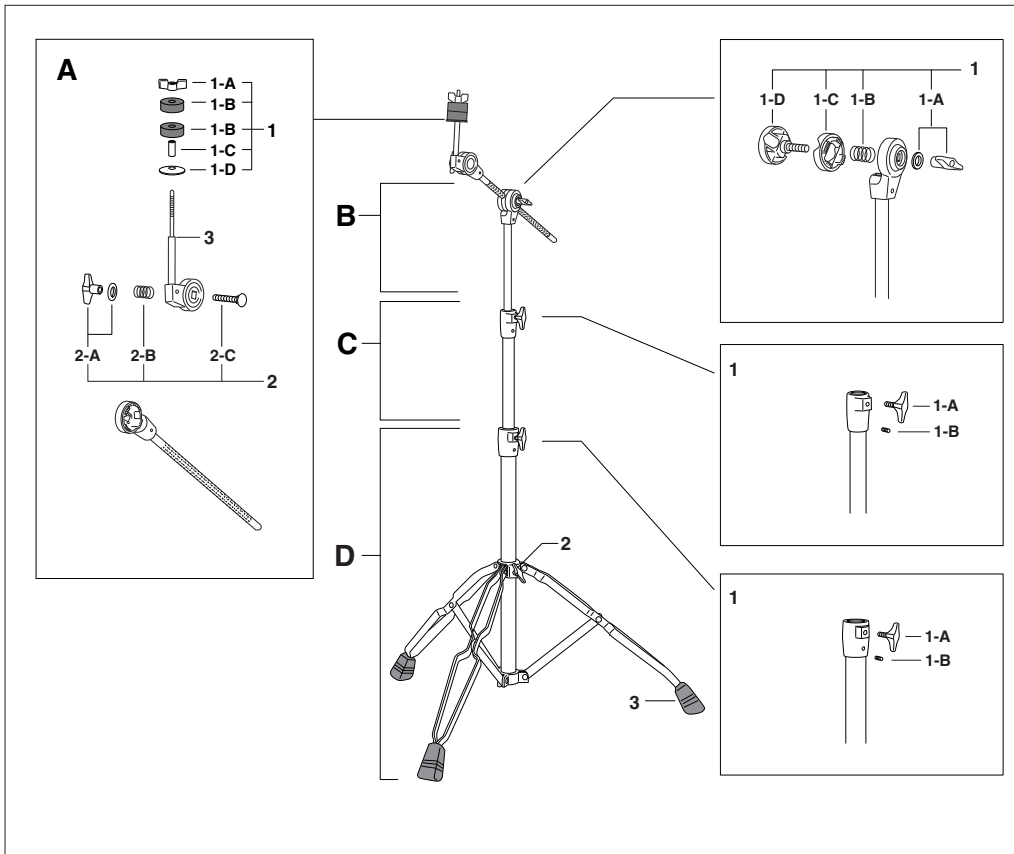
## B-855W



- A B-88SN Boom Arm Assy. Complete**  
 1 FL-90A Upper Tilter Section Complete  
 1-A M-8W Die-Cast Wing Nut  
 1-B FL-90 Felt Washer  
 1-C NP-69 Plastic Sleeve  
 1-D PR-135 Cup Washer  
 2 B-CHS Logo Plate (one each)  
 3 M-815PN Die-Cast Wing Bolt w/Pin  
 4 SX-8 Stop Lock, Complete  
 4-A KB-625 Key Bolt  
 5 NP-71 Plastic Tip
- B TU-85AN Upper Tube Assy. Complete**  
 1 BC-855A Boom Clamp Assy. Complete  
 1-A M-8C Die-Cast Wing Nut w/Washer  
 1-B SP-27N Spring  
 1-C DC-371 Clamp Gear Link  
 1-D BTL-85N Boom Clamp Bolt
- C CP-50A Center Tube Assy. Complete**  
 1 DJ-50A Die-Cast Joint Assy. Complete  
 1-A NB-5N Nylon Bushing  
 1-B SN-635 Clamp Bolt w/Nylon Washer  
 1-C M-6N Die-Cast Wing Nut w/Washer  
 1-D SB-44 Allen Screw
- D BA-92BW Base Assy. Complete**  
 1 DJ-70A Die-Cast Joint Assy. Complete  
 1-A NB-7N Nylon Bushing  
 1-B SN-635 Clamp Bolt w/Nylon Washer  
 1-C M-6N Die-Cast Wing Nut w/Washer  
 1-D SB-44 Allen Screw  
 2 M-820N Die-Cast Wing Bolt  
 3 R-22 Rubber Tip

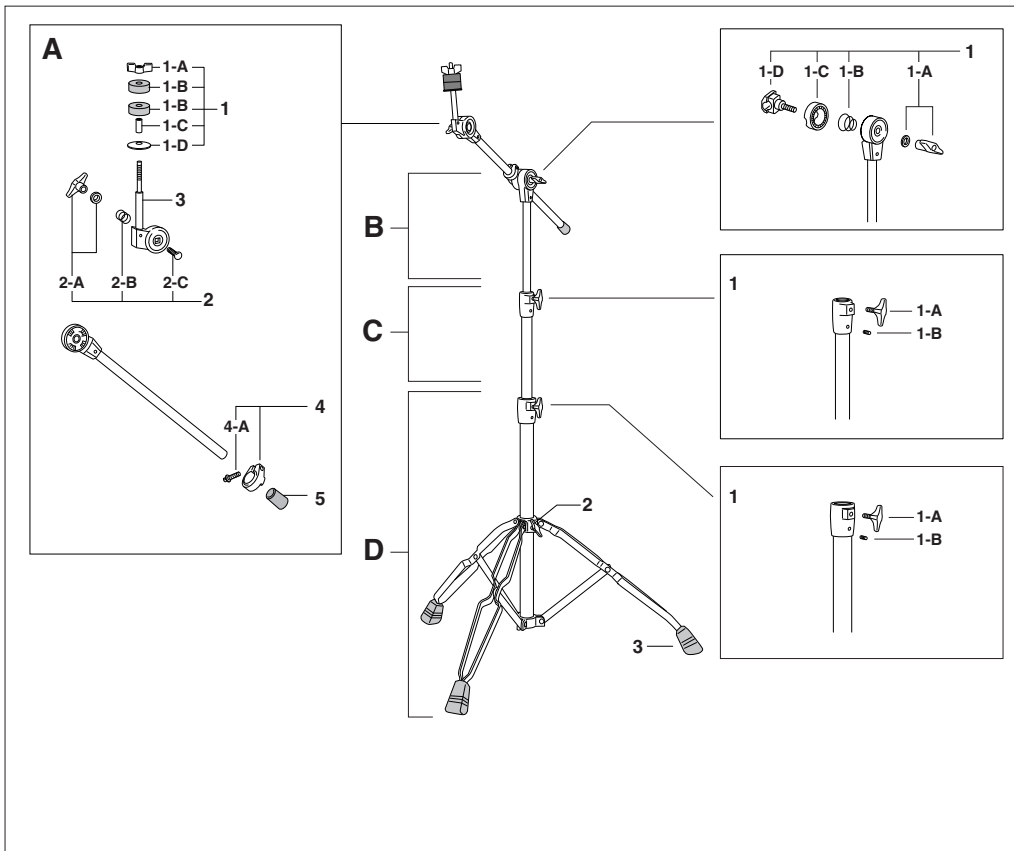
# CYMBAL BOOM STANDS

## BC-800W



- A ME-521AC Boom Arm Assy. Complete**  
 1 FL-80AN Upper Tilter Section Complete  
 1-A M-8W Die-Cast Wing Nut  
 1-B FE-32 Felt Washer  
 1-C NP-70 Plastic Sleeve  
 1-D PR-135 Cup Washer  
 2 SN-800A Bolt & Nut Set w/Spring  
 2-A M-8BN Die-Cast Wing Nut w/Washer  
 2-B SP-032 Spring  
 2-C SC-36B Clamp Bolt  
 3 SN-800N Tilter Unit
- B TU-80BC Upper Tube Assy. Complete**  
 1 BC-80BC Boom Clamp Assy. Complete  
 1-A M-8AN Die-Cast Wing Nut w/Washer  
 1-B SP-032 Spring  
 1-C DC-530 Clamp Gear Link  
 1-D DC-529A Boom Clamp Bolt
- C PP-149BA Center Tube Assy. Complete**  
 1 DJ-55A Die-Cast Joint Assy. Complete  
 1-A M-815N Die-Cast Wing Bolt  
 1-B SB-44 Allen Screw
- D BA-800BW Base Assy. Complete**  
 1 DJ-75A Die-Cast Joint Assy. Complete  
 1-A M-815N Die-Cast Wing Bolt  
 1-B SB-44 Allen Screw  
 2 M-820N Die-Cast Wing Bolt  
 3 R-22 Rubber Tip

## B-800W

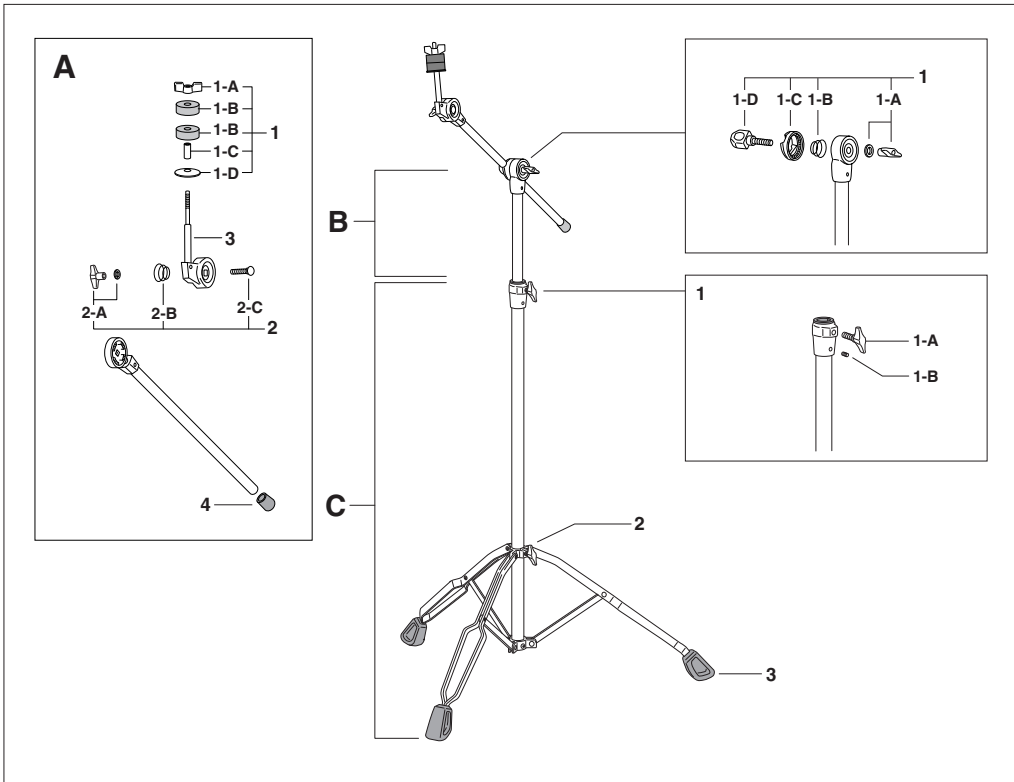


- A PP-169ACN Boom Arm Assy. Complete**  
 1 FL-80AN Upper Tilter Section Complete  
 1-A M-8W Die-Cast Wing Nut  
 1-B FE-32 Felt Washer  
 1-C NP-70 Plastic Sleeve  
 1-D PR-135 Cup Washer  
 2 SN-800A Bolt & Nut Set w/Spring  
 2-A M-8BN Die-Cast Wing Nut w/Washer  
 2-B SP-032 Spring  
 2-C SC-36B Clamp Bolt  
 3 SN-800N Tilter Unit  
 4 SX-8 Stop Lock. Complete  
 4-A KB-625 Key Bolt  
 5 NP-71 Plastic Tip
- B TU-800A Upper Tube Assy. Complete**  
 1 BC-800A Boom Clamp Assy. Complete  
 1-A M-8AN Die-Cast Wing Nut w/Washer  
 1-B SP-27N Spring  
 1-C DC-371 Clamp Gear Link  
 1-D BTL-85N Boom Clamp Bolt
- C PP-149BA Center Tube Assy. Complete**  
 1 DJ-55A Die-Cast Joint Assy. Complete  
 1-A M-815N Die-Cast Wing Bolt  
 1-B SB-44 Allen Screw
- D BA-800BW Base Assy. Complete**  
 1 DJ-75A Die-Cast Joint Assy. Complete  
 1-A M-815N Die-Cast Wing Bolt  
 1-B SB-44 Allen Screw  
 2 M-820N Die-Cast Wing Bolt  
 3 R-22 Rubber Tip



# CYMBAL BOOM STANDS

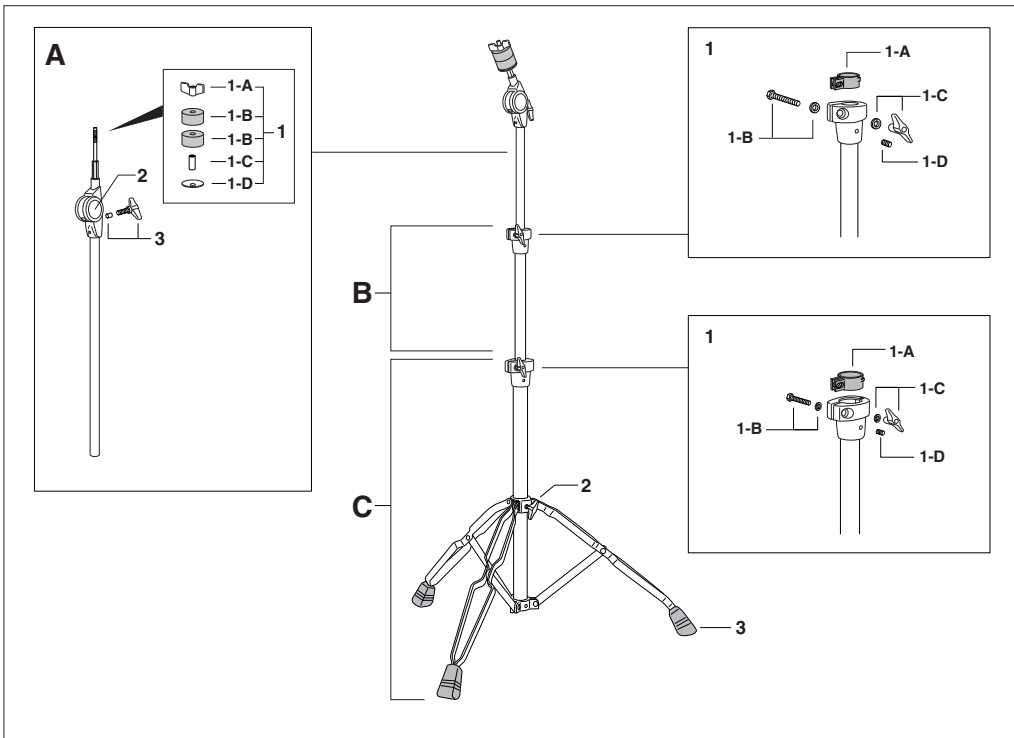
## B-70W



- A PP-605A Boom Arm Assy. Complete**
- 1 FL-80AN Upper Tilter Section Complete
  - 1-A M-8W Die-Cast Wing Nut
  - 1-B FE-32 Felt Washer
  - 1-C NP-70 Plastic Sleeve
  - 1-D PR-135 Cup Washer
  - 2 SN-800A Bolt & Nut Set w/Spring
  - 2-A M-8BN Die-Cast Wing Nut w/Washer
  - 2-B SP-27N Spring
  - 2-C SC-36B Clamp Bolt
  - 3 SN-800N Tilter Unit
  - 4 NP-71 Plastic Tip
- B PP-604A Upper Tube Assy. Complete**
- 1 BC-07A Boom Clamp Assy. Complete
  - 1-A M-8AN Die-Cast Wing Nut w/Washer
  - 1-B SP-27N Spring
  - 1-C DC-606A Clamp Gear Link
  - 1-D DC-607A Boom Clamp Bolt
- C PP-603A Base Assy. Complete**
- 1 DJ-07A Die-Cast Joint Assy. Complete
  - 1-A M-815N Die-Cast Wing Bolt
  - 1-B SB-44 Allen Screw
  - 2 M-820N Die-Cast Wing Bolt
  - 3 NP-604 Rubber Tips

# CYMBAL STANDS

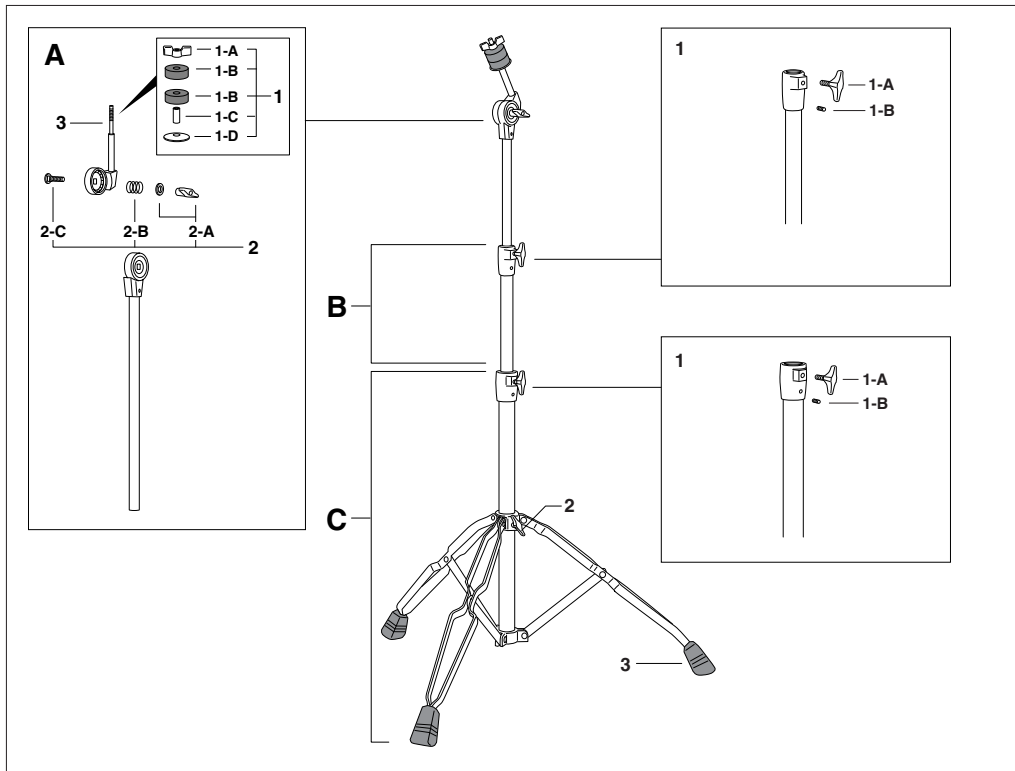
## C-855W



- A C-85AN Upper Tube Assy. Complete**
- 1 FL-90A Upper Tilter Section Complete
  - 1-A M-8W Die-Cast Wing Nut
  - 1-B FL-90 Felt Washer
  - 1-C NP-69 Plastic Sleeve
  - 1-D PR-135 Cup Washer
  - 2 B-CHS Logo Plate (one each)
  - 3 M-815PN Wing Bolt w/Pin
- B CP-50A Center Tube Assy. Complete**
- 1 DJ-50A Die-Cast Joint Assy. Complete
  - 1-A NB-5N Nylon Bushing
  - 1-B SN-635 Clamp Bolt w/Nylon Washer
  - 1-C M-6N Die-Cast Wing Nut w/Washer
  - 1-D SB-44 Allen Screw
- C BA-92BW Base Assy. Complete**
- 1 DJ-70A Die-Cast Joint Assy. Complete
  - 1-A NB-7N Nylon Bushing
  - 1-B SN-635 Clamp Bolt w/Nylon Washer
  - 1-C M-6N Die-Cast Wing Nut w/Washer
  - 1-D SB-44 Allen Screw
  - 2 M-820N Die-Cast Wing Bolt
  - 3 R-22 Rubber Tip

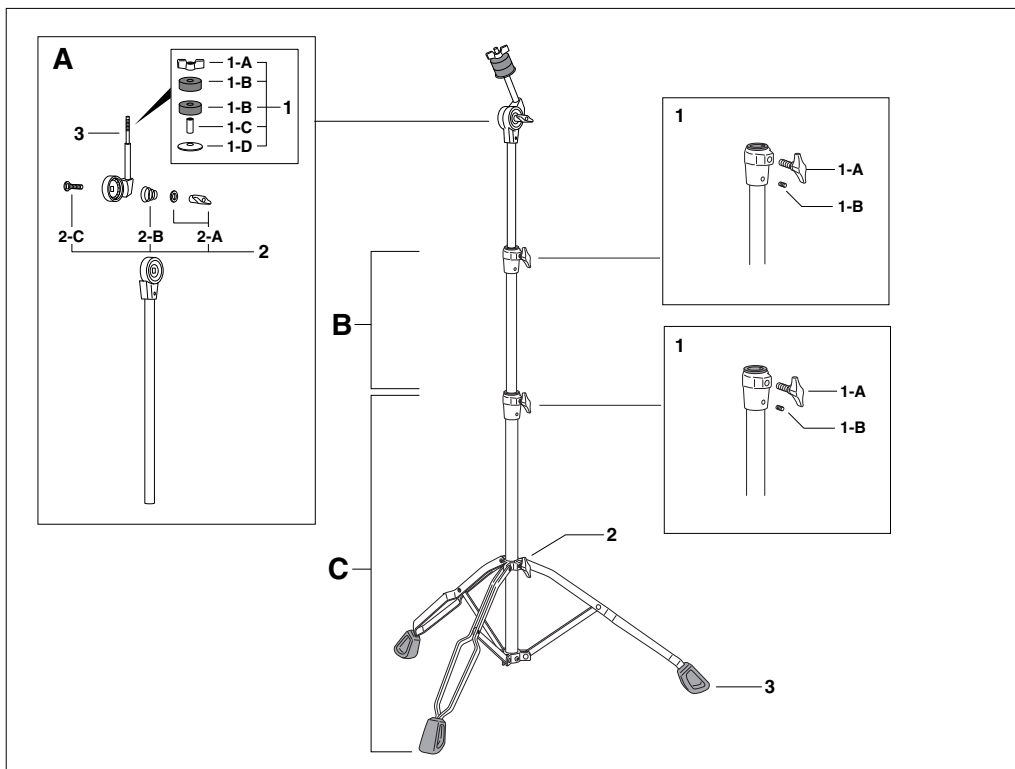
# CYMBAL STANDS

## C-800W



- A C-800AN Upper Tube Assy. Complete**
- 1 FL-80AN Upper Tilter Section Complete
  - 1-A M-8W Die-Cast Wing Nut
  - 1-B FE-32 Felt Washer
  - 1-C NP-70 Plastic Sleeve
  - 1-D PR-135 Cup Washer
  - 2 SN-800A Bolt & Nut Set w/Spring
  - 2-A M-8BN Die-Cast Wing Nut w/Washer
  - 2-B SP-032 Spring
  - 2-C SC-36B Clamp Bolt
  - 3 SN-800N Tilter Unit
- B PP-149BA Center Tube Assy. Complete**
- 1 DJ-55A Die-Cast Joint Assy. Complete
  - 1-A M-815N Die-Cast Wing Bolt
  - 1-B SB-44 Allen Screw
- C BA-800BW Base Assy. Complete**
- 1 DJ-75A Die-Cast Joint Assy. Complete
  - 1-A M-815N Die-Cast Wing Bolt
  - 1-B SB-44 Allen Screw
  - 2 M-820N Die-Cast Wing Bolt
  - 3 R-22 Rubber Tip

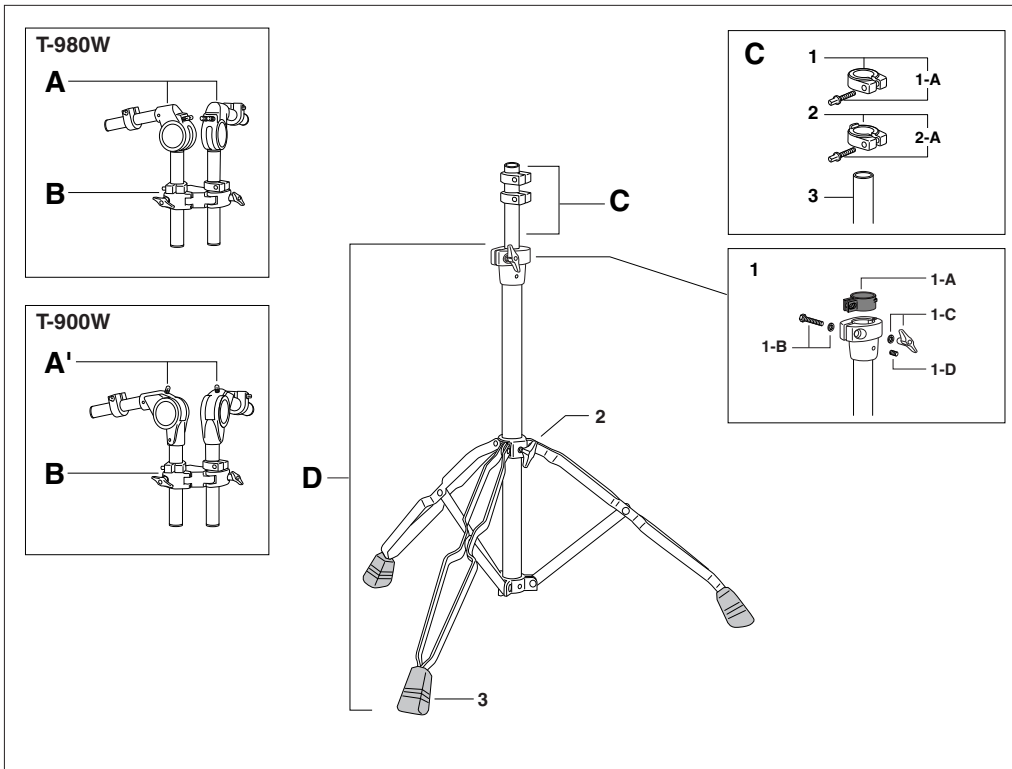
## C-70W



- A PP-608A Upper Tube Assy. Complete**
- 1 FL-80AN Upper Tilter Section Complete
  - 1-A M-8W Die-Cast Wing Nut
  - 1-B FE-32 Felt Washer
  - 1-C NP-70 Plastic Sleeve
  - 1-D PR-135 Cup Washer
  - 2 SN-800A Bolt & Nut Set w/Spring
  - 2-A M-8BN Die-Cast Wing Nut w/Washer
  - 2-B SP-27N Spring
  - 2-C SC-36B Clamp Bolt
  - 3 SN-800N Tilter Unit
- B PP-607A Center Tube Assy. Complete**
- 1 DJ-007A Die-Cast Joint Assy. Complete
  - 1-A M-815N Die-Cast Wing Bolt
  - 1-B SB-44 Allen Screw
- C PP-606A Base Assy. Complete**
- 1 DJ-07A Die-Cast Joint Assy. Complete
  - 1-A M-815N Die-Cast Wing Bolt
  - 1-B SB-44 Allen Screw
  - 2 M-820N Die-Cast Wing Bolt
  - 3 NP-604 Rubber Tip

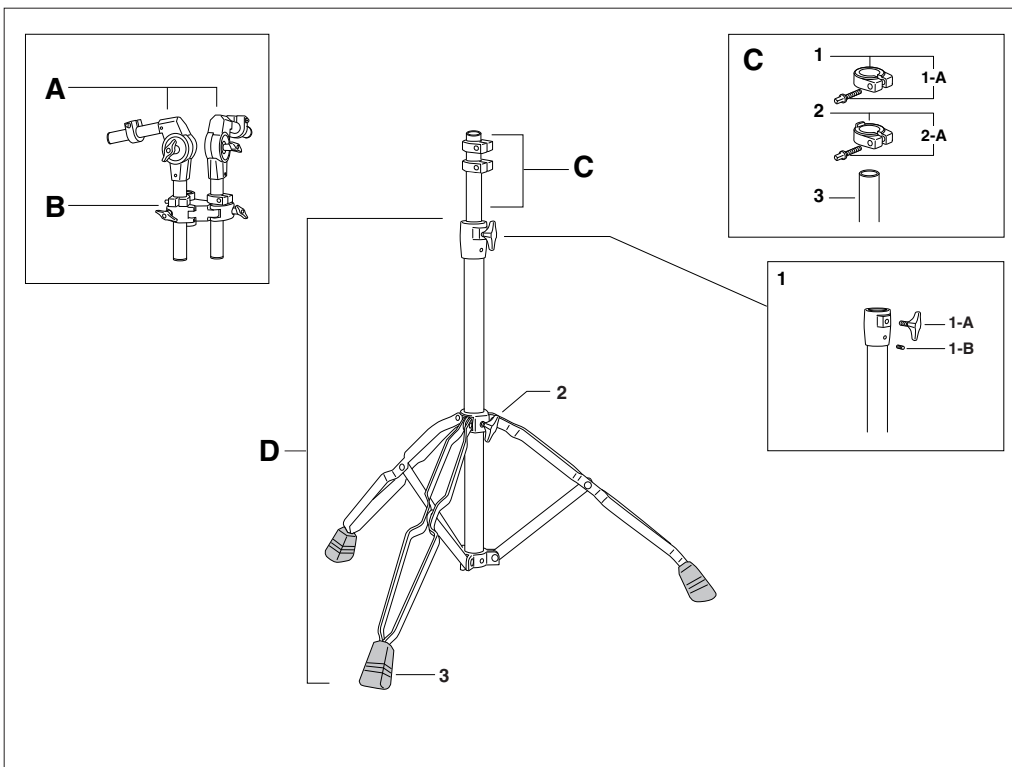
# CYMBAL STANDS

## T-980W / T-900W



- A TH-100S Tom Holder/Short (T-980W)**  
**A' TH-98S Tom Holder/Short (T-900W)**  
**B AX-38 Adapter - Please refer to the Adapter section.**  
**C T-80A Upper Tube Assy. Complete**  
 1 SX-2NS Stop Lock, Complete  
 1-A KB-630 Key Bolt  
 2 SX-2N Stop Lock, Complete  
 2-A KB-630 Key Bolt  
 3 TU-98T Upper Tube ONLY  
**D BA-92BW Base Assy. Complete**  
 1 DJ-70A Die-Cast Joint Assy. Complete  
 1-A NB-7N Nylon Bushing  
 1-B SN-635 Clamp Bolt w/Nylon Washer  
 1-C M-6N Die-Cast Wing Nut w/Washer  
 1-D SB-44 Allen Screw  
 2 M-820N Die-Cast Wing Bolt  
 3 R-22 Rubber Tip

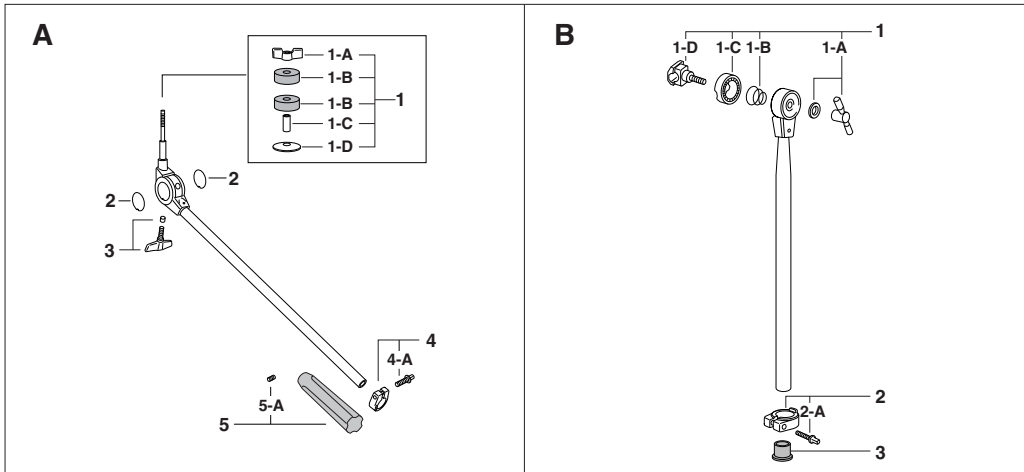
## T-800W



- A TH-88S Tom Holder / Short (one each)**  
**B AX-38 Adapter - Please refer to the Adapter section.**  
**C T-80A Upper Tube Assy. Complete**  
 1 SX-2NS Stop Lock, Complete  
 1-A KB-630 Key Bolt  
 2 SX-2N Stop Lock, Complete  
 2-A KB-630 Key Bolt  
 3 TU-98T Upper Tube ONLY  
**D BA-800BW Base Assy. Complete**  
 1 DJ-75A Die-Cast Joint Assy. Complete  
 1-A M-815N Die-Cast Wing Bolt  
 1-B SB-44 Allen Screw  
 2 M-820N Die-Cast Wing Bolt  
 3 R-22 Rubber Tip

# CYMBAL HOLDERS

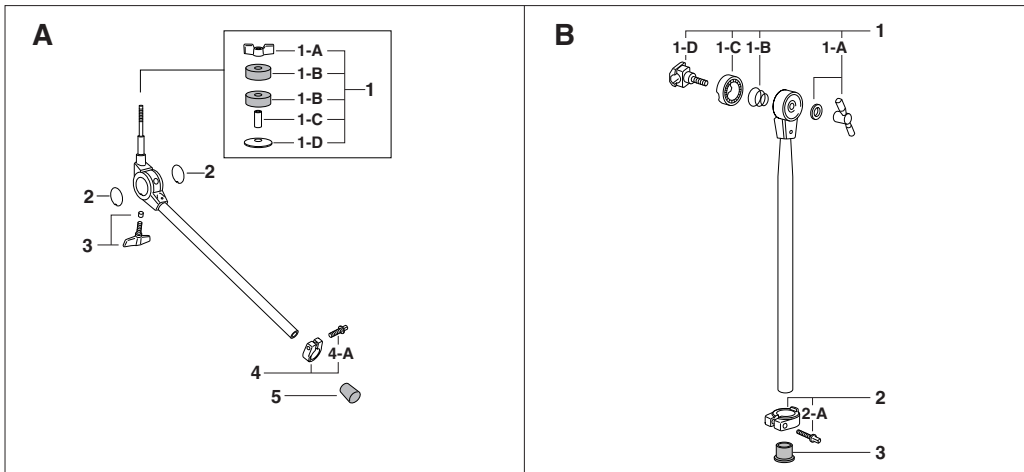
## CH-88L



- A B-88LN Boom Arm Assy. Complete**
- 1 FL-90A Upper Tilter Section Complete
  - 1-A M-8W Die-Cast Wing Nut
  - 1-B FL-90 Felt Washer
  - 1-C NP-69 Plastic Sleeve
  - 1-D PR-135 Cup Washer
  - 2 B-CHS Logo Plate (one each)
  - 3 M-815PN Die-Cast Wing Bolt w/Pin
  - 4 SX-8 Stop Lock, Complete
  - 4-A KB-625 Key Bolt
  - 5 BOW-3 Boom Weight w/Allen Screw
  - 5-A SB-55 Allen Screw

- B TU-75A Tube Assy. Complete**
- 1 BC-855A Boom Clamp Assy. Complete
  - 1-A M-8C Die-Cast Wing Nut w/Washer
  - 1-B SP-27N Spring
  - 1-C DC-371 Clamp Gear Link
  - 1-D BTL-85N Boom Clamp Bolt
  - 2 SX-2N Stop Lock, Complete
  - 2-A KB-630 Key Bolt
  - 3 NP-164 Plastic End Cap

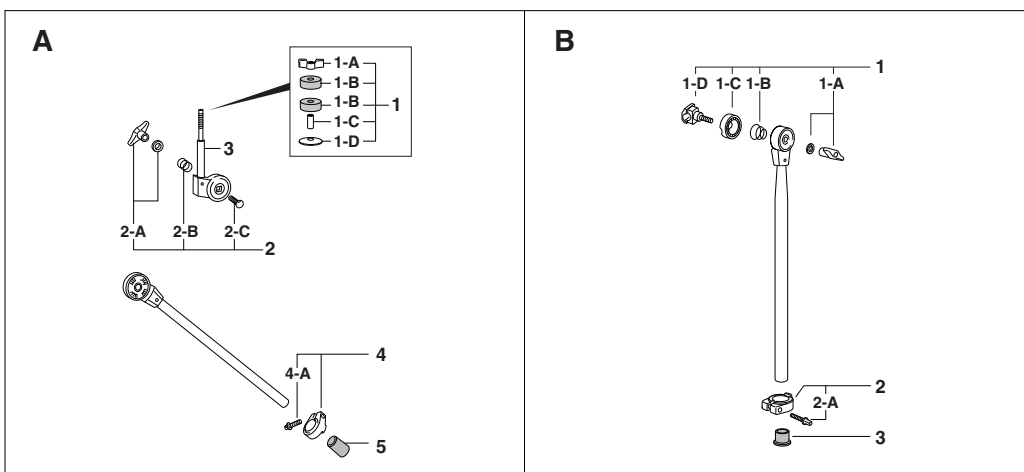
## CH-88



- A B-88SN Boom Arm Assy. Complete**
- 1 FL-90A Upper Tilter Section Complete
  - 1-A M-8W Die-Cast Wing Nut
  - 1-B FL-90 Felt Washer
  - 1-C NP-69 Plastic Sleeve
  - 1-D PR-135 Cup Washer
  - 2 B-CHS Logo Plate (one each)
  - 3 M-815PN Die-Cast Wing Bolt w/Pin
  - 4 SX-8 Stop Lock, Complete
  - 4-A KB-625 Key Bolt
  - 5 NP-71 Rubber Tip

- B TU-75A Tube Assy. Complete**
- 1 BC-855A Boom Clamp Assy. Complete
  - 1-A M-8C Die-Cast Wing Nut w/Washer
  - 1-B SP-27N Spring
  - 1-C DC-371N Clamp Gear Link
  - 1-D BTL-85N Boom Clamp Bolt
  - 2 SX-2N Stop Lock, Complete
  - 2-A KB-630 Key Bolt
  - 3 NP-164 Plastic End Cap

## CH-80

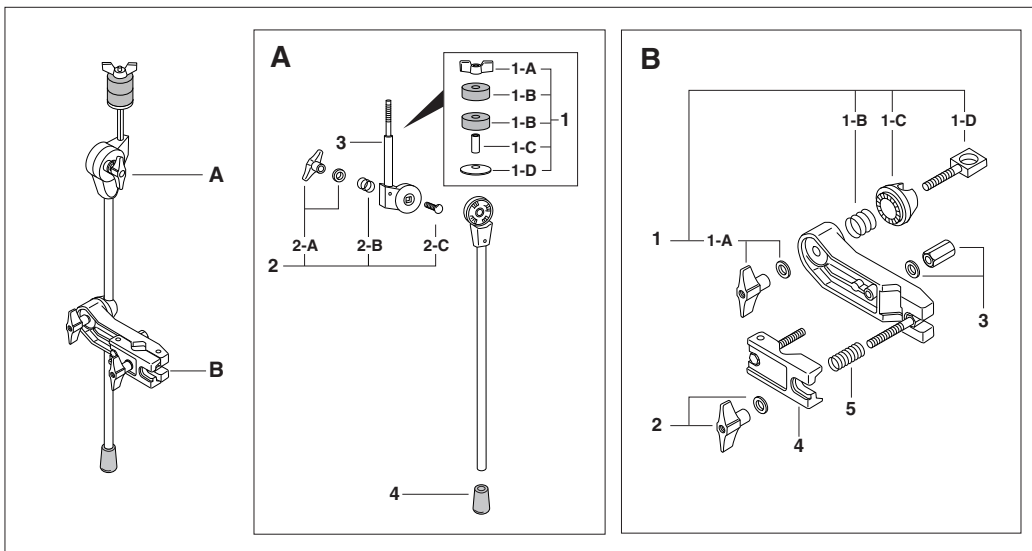


- A PP-169ACN Boom Arm Assy. Complete**
- 1 FL-80AN Upper Tilter Section Complete
  - 1-A M-8W Die-Cast Wing Nut
  - 1-B FE-32 Felt Washer
  - 1-C NP-70 Plastic Sleeve
  - 1-D PR-135 Cup Washer
  - 2 SN-800A Bolt & Nut Set w/Spring
  - 2-A M-8BN Die-Cast Wing Nut w/Washer
  - 2-B SP-032 Spring
  - 2-C SC-36B Clamp Bolt
  - 3 SN-800N Tilter Unit
  - 4 SX-8 Stop Lock, Complete
  - 4-A KB-625 Key Bolt
  - 5 NP-71 Rubber Tip

- B TU-80A Tube Assy. Complete**
- 1 BC-800A Boom Clamp Assy. Complete
  - 1-A M-8AN Die-Cast Wing Nut w/Washer
  - 1-B SP-27N Spring
  - 1-C DC-371 Clamp Gear Link
  - 1-D BTL-85N Boom Clamp Bolt
  - 2 SX-2N Stop Lock, Complete
  - 2-A KB-630 Key Bolt
  - 3 NP-164 Plastic End Cap

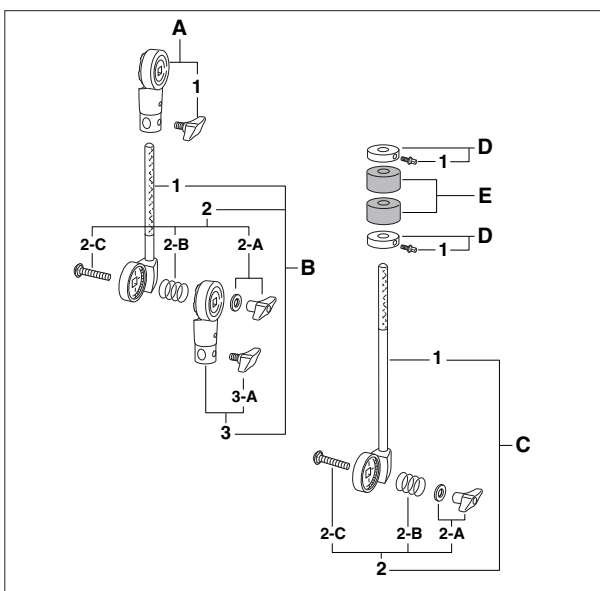
# CYMBAL HOLDERS

## CH-70



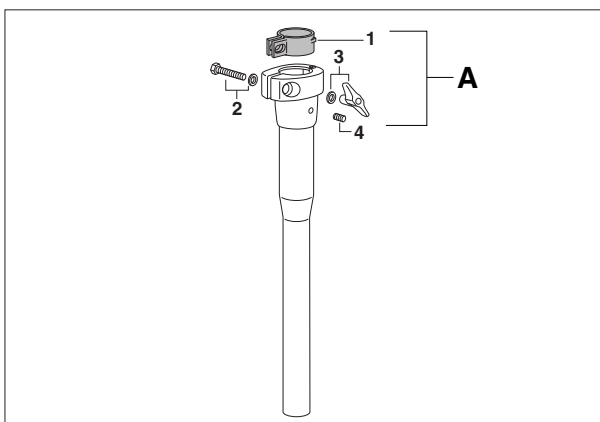
- |          |               |                                |
|----------|---------------|--------------------------------|
| <b>A</b> | <b>B-75AN</b> | <b>Boom Arm Assy. Complete</b> |
| 1        | FL-80AN       | Upper Tilter Section Complete  |
| 1-A      | M-8W          | Die-Cast Wing Nut              |
| 1-B      | FE-32         | Felt Washer                    |
| 1-C      | NP-70         | Plastic Sleeve                 |
| 1-D      | PR-135        | Cup Washer                     |
| 2        | SN-800A       | Bolt & Nut Set w/Spring        |
| 2-A      | M-8BN         | Die-Cast Wing Nut w/Washer     |
| 2-B      | SP-032        | Spring                         |
| 2-C      | SC-33B        | Clamp Bolt                     |
| 3        | SN-800N       | Tilter Unit                    |
| 4        | NP-72         | Rubber Tip                     |
| <b>B</b> | <b>CA-70A</b> | <b>Clamp Assy. Complete</b>    |
| 1        | BC-70AN       | Boom Clamp Assy. Complete      |
| 1-A      | M-8BN         | Die-Cast Wing Nut w/Washer     |
| 1-B      | SP-032        | Spring                         |
| 1-C      | DC-335        | Clamp Gear Link                |
| 1-D      | ME-67         | Boom Clamp Bolt                |
| 2        | M-8AN         | Die-Cast Wing Nut w/Washer     |
| 3        | M-8SW         | Hexagonal Nut & Washer         |
| 4        | DS-20B        | Die-Cast Link w/Swivel Bolt    |
| 5        | SP-26         | Spring                         |

## CST-80



- |          |                 |                                         |
|----------|-----------------|-----------------------------------------|
| <b>A</b> | <b>DC-497A</b>  | <b>Tilter Base Assy.</b>                |
| 1        | M-610N          | Die-Cast Wing Bolt                      |
| <b>B</b> | <b>TLCS-80S</b> | <b>Tilter Rod Assy. Complete, Short</b> |
| 1        | ME-531SA        | Tilter Rod, Short                       |
| 2        | SN-800A         | Bolt & Nut Set w/Spring                 |
| 2-A      | M-8BN           | Die-Cast Wing Nut w/Washer              |
| 2-B      | SP-032          | Spring                                  |
| 2-C      | SC-36B          | Clamp Bolt                              |
| 3        | DC-497A         | Tilter Base Assy.                       |
| 3-A      | M-610N          | Die-Cast Wing Bolt                      |
| <b>C</b> | <b>TLCS-80L</b> | <b>Tilter Rod Assy. Complete, Long</b>  |
| 1        | ME-531LA        | Tilter Rod, Long                        |
| 2        | SN-800A         | Bolt & Nut Set w/Spring                 |
| 2-A      | M-8BN           | Die-Cast Wing Nut w/Washer              |
| 2-B      | SP-032          | Spring                                  |
| 2-C      | SC-36B          | Clamp Bolt                              |
| <b>D</b> | <b>ME-532A</b>  | <b>Lock Spacer, Complete</b>            |
| 1        | KB-615          | Key Bolt                                |
| <b>E</b> | <b>FE-32</b>    | <b>Felt Washers</b>                     |

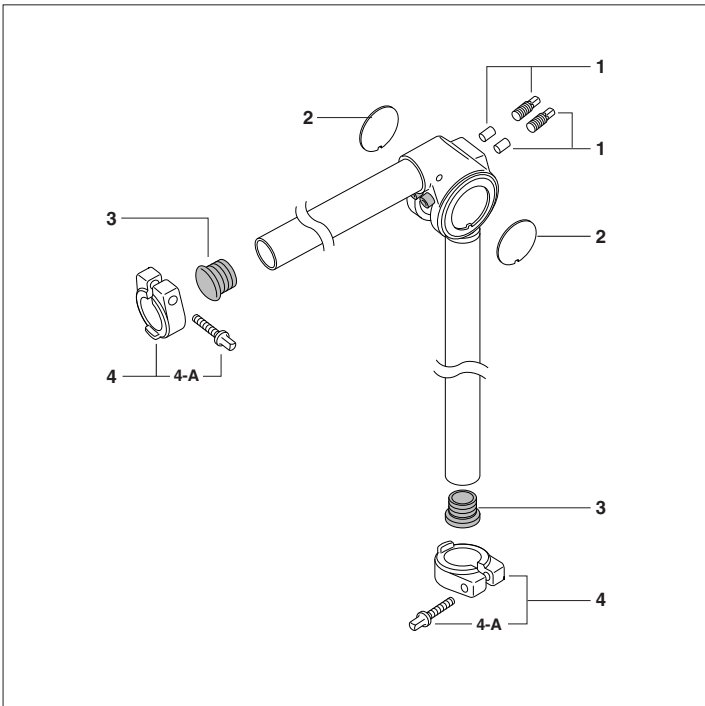
## TX-80 Tube Extender



- |          |               |                                      |
|----------|---------------|--------------------------------------|
| <b>A</b> | <b>DJ-70A</b> | <b>Die-Cast Joint Assy. Complete</b> |
| 1        | NB-7N         | Nylon Bushing                        |
| 2        | SN-635        | Clamp Bolt w/Washer                  |
| 3        | M-6N          | Die-Cast Wing Nut w/Washer           |
| 4        | SB-44         | Allen Screw                          |

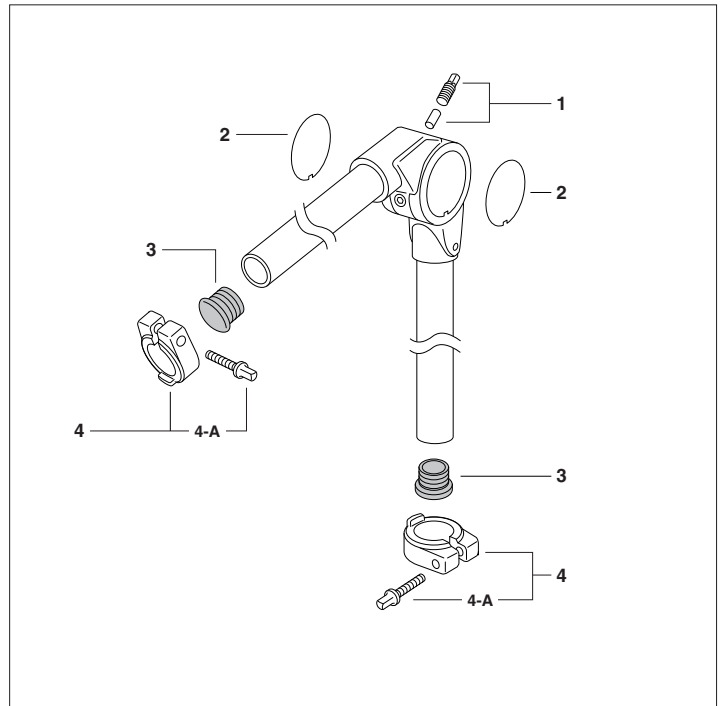
# TOM HOLDERS

## TH-100/100S/100I



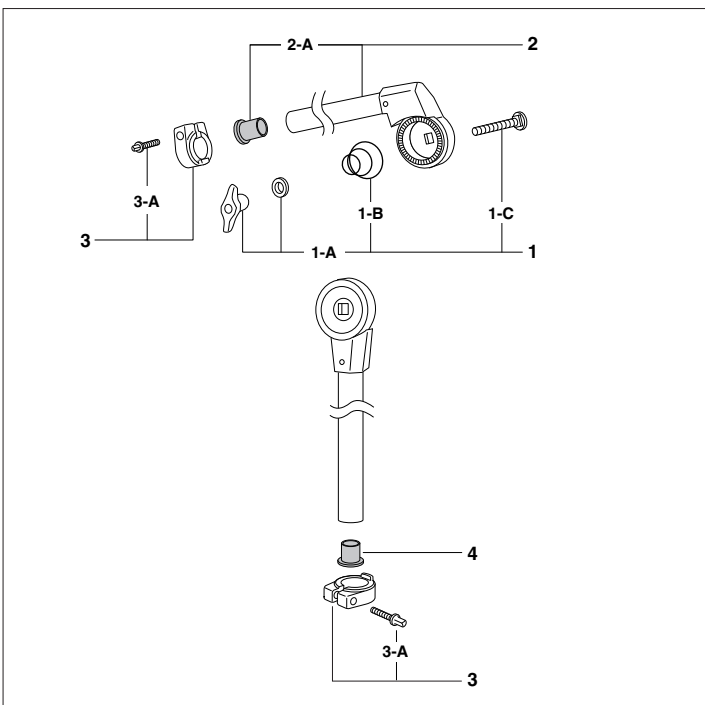
- 1 KB-814P Key Bolt w/Pin (one each)
- 2 TP-100 Logo Plate (one each)
- 3 NP-164 Plastic End Cap (one each)
- 4 SX-2N Stop Lock Complete (one set)
- 4-A KB-630 Key Bolt (one each)

## TH-98/98S/98I



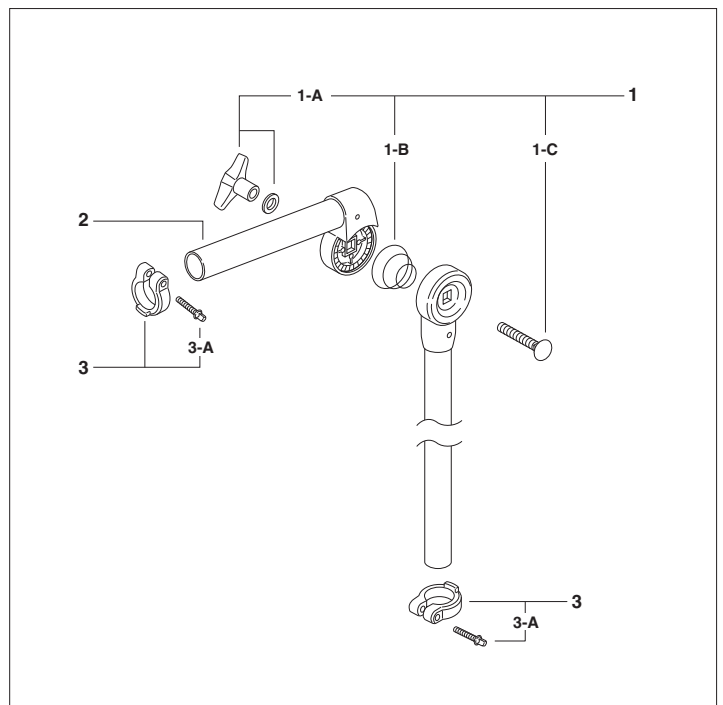
- 1 KB-821P Key Bolt w/Pin
- 2 TP-98 Logo Plate (one each)
- 3 NP-164 Plastic End Cap (one each)
- 4 SX-2N Stop Lock Complete (one set)
- 4-A KB-630 Key Bolt (one each)

## TH-88/88S/88I



- 1 SN-85A Clamp Bolt Set
- 1-A M-8AN Die-Cast Wing Nut w/Washer
- 1-B SP-27N Spring
- 1-C SC-36B Clamp Bolt
- 2 TO-88A Tom Holder Arm w/Plastic End Cap
- 2-A NP-164 Plastic End Cap
- 3 SX-2N Stop Lock Complete (one set)
- 3-A KB-630 Key Bolt (one each)
- 4 NP-164 Plastic End Cap

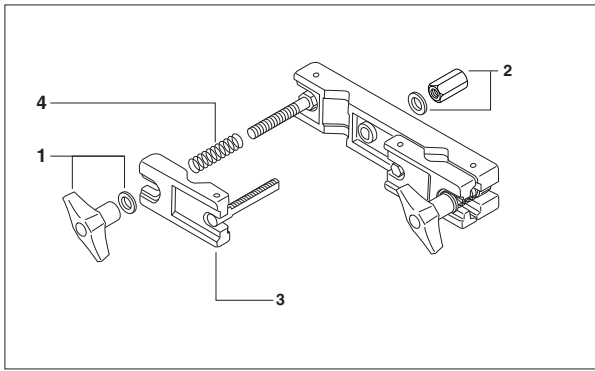
## TH-70



- 1 SN-85A Clamp Bolt Set
- 1-A M-8AN Die-Cast Wing Nut w/Washer
- 1-B SP-27N Spring
- 1-C SC-36B Clamp Bolt
- 2 TO-07 Tom Holder Arm ONLY
- 3 SX-70 Stop Lock Complete (one set)
- 3-A KB-625 Key Bolt (one each)

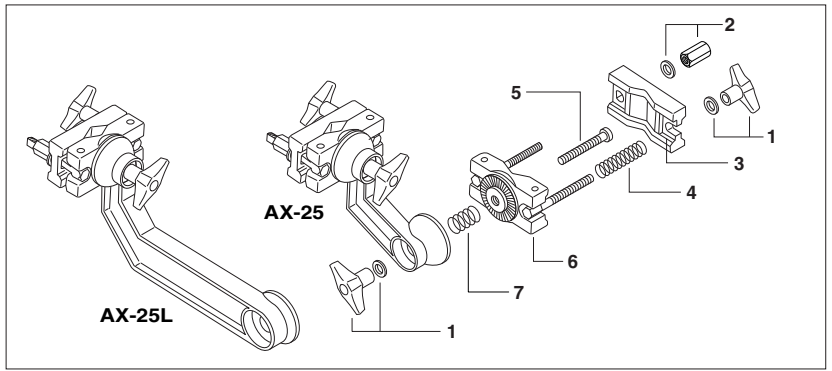
# ADAPTERS

## AX-20



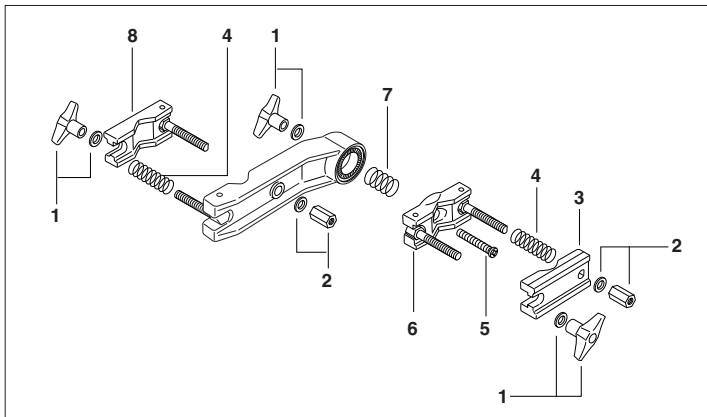
- |   |        |                             |
|---|--------|-----------------------------|
| 1 | M-8AN  | Die-Cast Wing Nut w/Washer  |
| 2 | M-8SW  | Hexagonal Nut w/Washer      |
| 3 | DS-20B | Die-Cast Link w/Swivel Bolt |
| 4 | SP-26  | Spring                      |

## AX-25/AX-25L



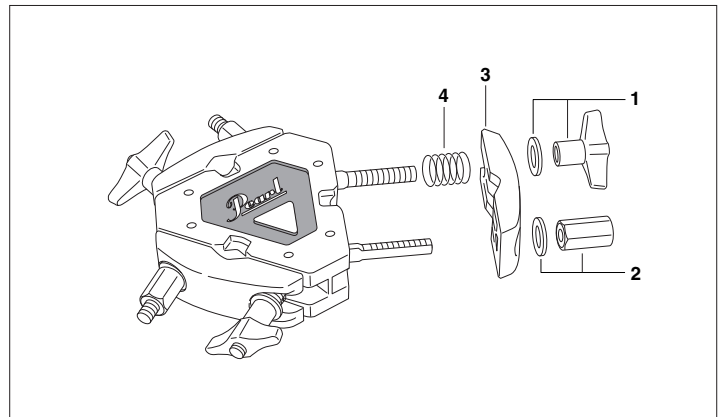
- |   |        |                                      |
|---|--------|--------------------------------------|
| 1 | M-8AN  | Die-Cast Wing Nut w/Washer (one set) |
| 2 | M-8SW  | Hexagonal Nut w/Washer               |
| 3 | DC-182 | Die-Cast Link                        |
| 4 | SP-26  | Spring                               |
| 5 | SC-114 | Center Bolt                          |
| 6 | DS-25A | Die-Cast Gear Link w/Swivel Bolts    |
| 7 | SP-36  | Spring                               |

## AX-28



- |   |        |                                   |
|---|--------|-----------------------------------|
| 1 | M-8AN  | Die-Cast Wing Nut w/Washer        |
| 2 | M-8SW  | Hexagonal Nut w/Washer            |
| 3 | DC-182 | Die-Cast Link w/Swivel Bolt       |
| 4 | SP-26  | Spring                            |
| 5 | SC-114 | Center Bolt                       |
| 6 | DS-25A | Die-Cast Gear Link w/Swivel Bolts |
| 7 | SP-36  | Spring                            |
| 8 | DS-20A | Die-Cast Gear Link w/Swivel Bolt  |

## AX-38

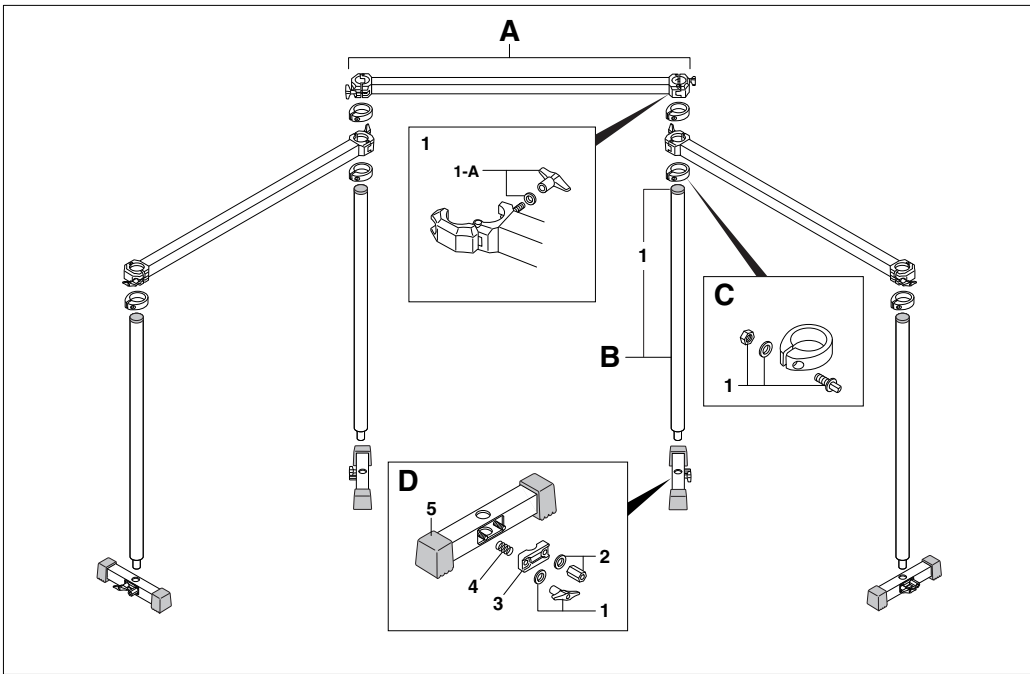


- |   |        |                            |
|---|--------|----------------------------|
| 1 | M-8AN  | Die-Cast Wing Nut w/Washer |
| 2 | M-8SW  | Hexagonal Nut w/Washer     |
| 3 | DC-538 | Die-Cast Link ONLY         |
| 4 | SP-26  | Spring                     |



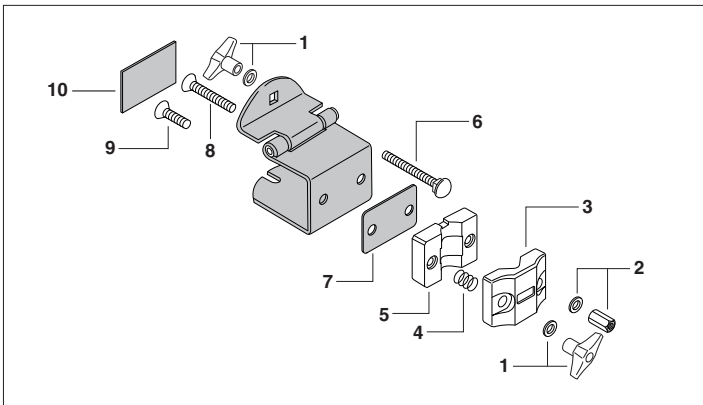
# DRUM RACKS, PIPE CLAMPS, RACK JOINT

## DR-500 / 500L / 500E



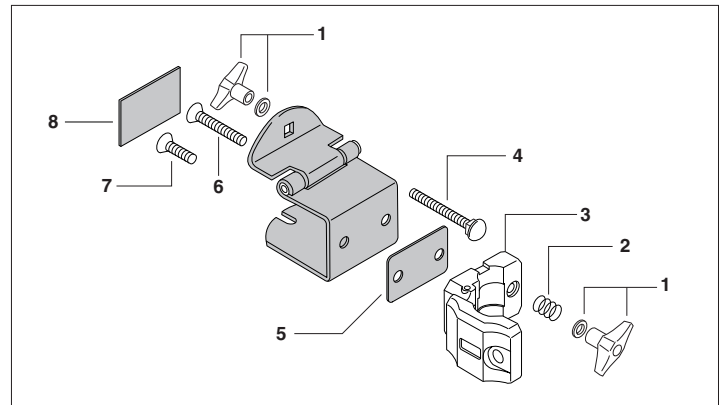
- A AL-18A Rack Bar Complete**
- 1 DC-424A Die-Cast Clamp Assy. Complete
- 1-A M-8AN Die-Cast Wing Nut w/Washer
- B PP-176A Steel Leg**
- 1 NP-338 Plastic Cap
- C DC-426A Stop Lock, Complete**
- 1 KB-625A Key Bolt w/Washer & Hexagonal Nut
- D PP-189A Floor Bar Assy. Complete**
- 1 M-8AN Die-Cast Wing Nut w/Washer
- 2 M-8SW Hexagonal Nut w/Washer
- 3 DC-366 Die-Cast Link
- 4 SP-45 Spring
- 5 NP-188 Rubber Floor Feet (one each)

## PC-10



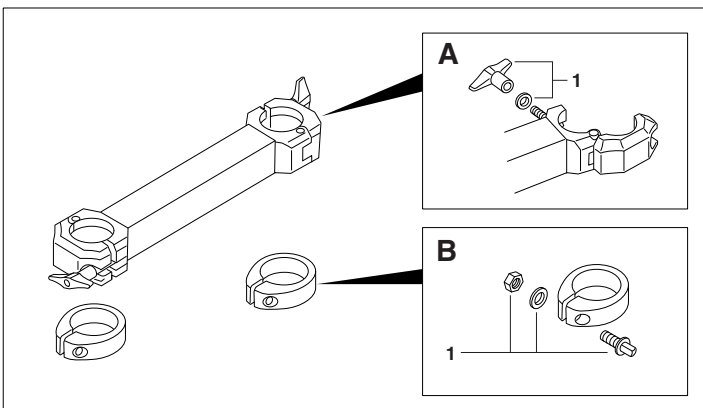
- 1 M-8AN Die-Cast Wing Nut w/Washer
- 2 M-8SW Hexagonal Nut & Washer
- 3 DC-284N Die-Cast Link
- 4 SP-45 Spring
- 5 DC-283N Die-Cast Link
- 6 SC-34 Carriage Bolt
- 7 GA-45 Gasket
- 8 SC-850 Clamp Bolt, Long
- 9 SC-279 Clamp Bolt, short
- 10 GA-43 Gasket

## PC-50



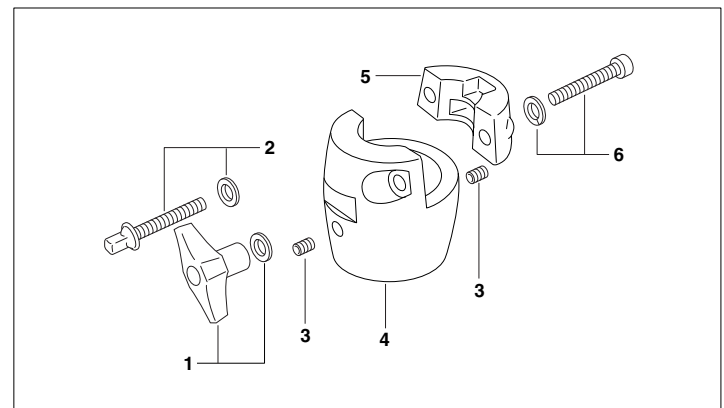
- 1 M-8AN Die-Cast Wing Nut w/Washer
- 2 SP-45S Spring
- 3 DC-422A Hinged Clamp ONLY
- 4 SC-34 Carriage Bolt
- 5 GA-45 Gasket
- 6 SC-850 Clamp Bolt, Long
- 7 SC-279 Clamp Bolt, short
- 8 GA-43 Gasket

## RJ-50 Rack Joint



- A DC-424A Die-Cast Clamp Assy. Complete**
- 1 M-8AN Die-Cast Wing Nut w/Washer
- B DC-426A Stop Lock, Complete**
- 1 KB-625A Key Bolt w/Washer & Hexagonal Nut

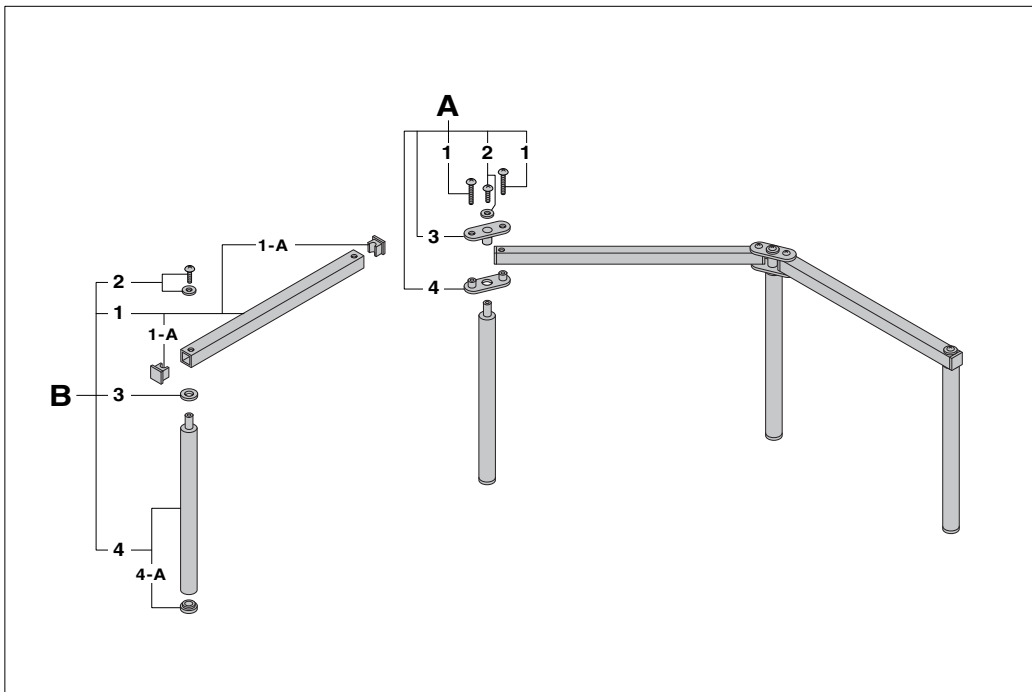
## PCL-100



- 1 M-6N Wing Nut w/Washer
- 2 SC-57W Key Bolt w/Washer
- 3 SB-66 Allen Screw
- 4 DC-544 Pipe Bracket
- 5 DC-545 Clamp Bracket
- 6 SC-341W Bolt w/Washer

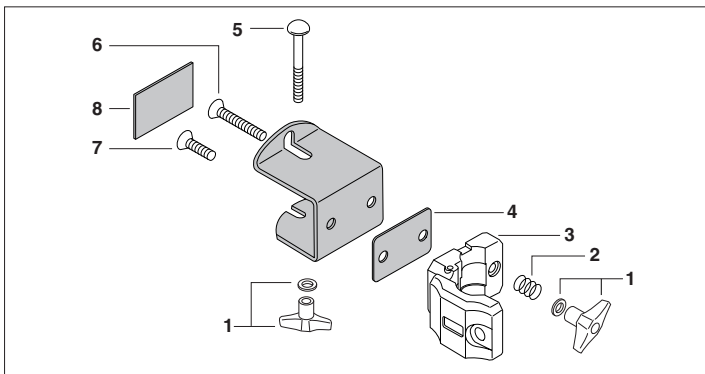
# DRUM RACKS, PIPE CLAMPS

## DR-80



- |          |               |                                |
|----------|---------------|--------------------------------|
| <b>A</b> | <b>DR-JC1</b> | <b>Joint Assy. Complete</b>    |
| 1        | SC-204        | Bolt (Long) (one each)         |
| 2        | SC-205        | Bolt w/Washer (Short)          |
| 3        | LKP-7         | Upper Link Plate w/Leg Bracket |
| 4        | LKP-4         | Lower Link Plate w/Nuts        |
| <b>B</b> | <b>DR-008</b> | <b>Expansion Unit Complete</b> |
| 1        | AL-13         | Bar w/Corner Caps              |
| 1-A      | NP-162        | End Caps (one each)            |
| 2        | SC-205        | Bolt w/Washer (Short)          |
| 3        | PR-282        | Leg Spacer                     |
| 4        | 120N          | Leg w/Leg Cap                  |
| 4-A      | NP-163        | Leg Cap                        |

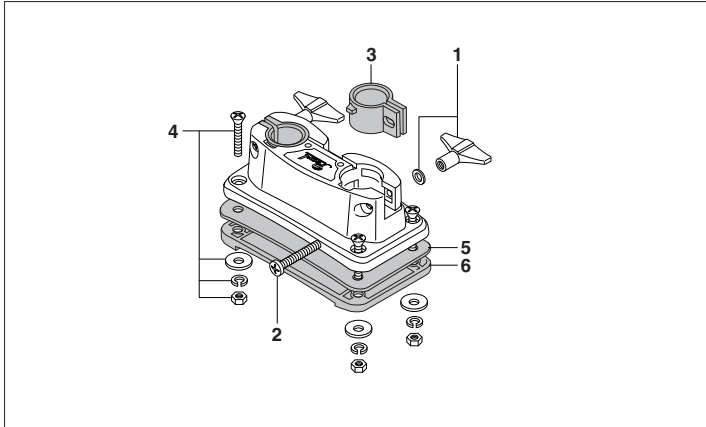
## PC-8



- |   |         |                            |   |        |                   |
|---|---------|----------------------------|---|--------|-------------------|
| 1 | M-8AN   | Die-Cast Wing Nut w/Washer | 5 | SC-160 | Carriage Bolt     |
| 2 | SP-45S  | Spring                     | 6 | SC-850 | Clamp Bolt, Long  |
| 3 | DC-422A | Hinged Clamp ONLY          | 7 | SC-279 | Clamp Bolt, short |
| 4 | GA-45   | Gasket                     | 8 | GA-43  | Gasket            |

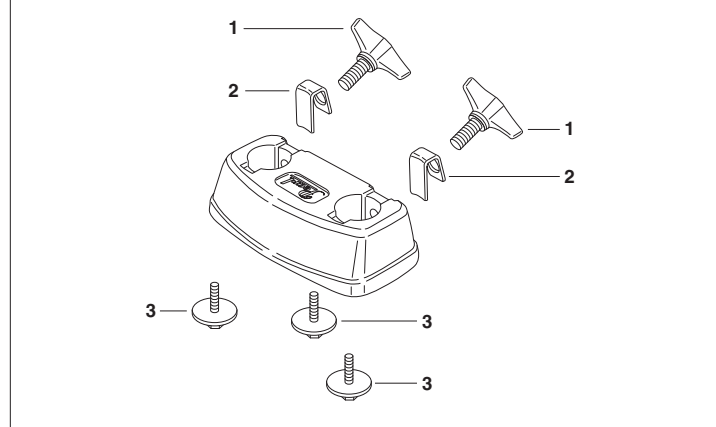
# TOM HOLDER BASSES, BRACKETS

## BB-3



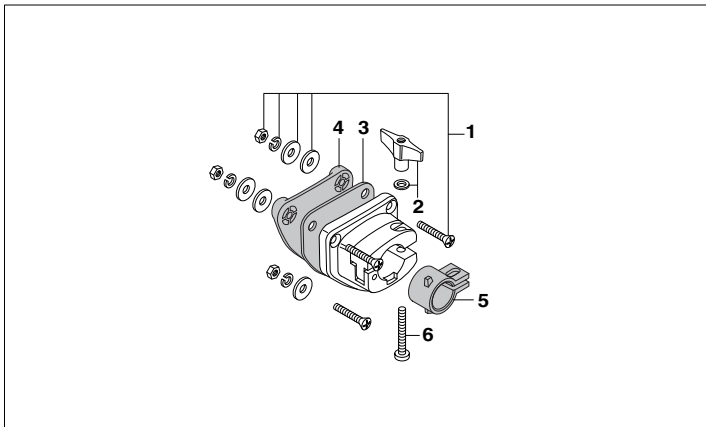
- |   |        |                                        |   |         |               |
|---|--------|----------------------------------------|---|---------|---------------|
| 1 | M-6N   | Die-Cast Wing Nut w/Washer (one set)   | 5 | NP-259P | Rubber Gasket |
| 2 | SC-640 | Clamp Bolt (one each)                  | 6 | NP-185  | Set Plate     |
| 3 | NB-7N  | Nylon Bushing (one each)               |   |         |               |
| 4 | B-MS   | Mounting Screw, Washer & Nut (one set) |   |         |               |

## BB-70



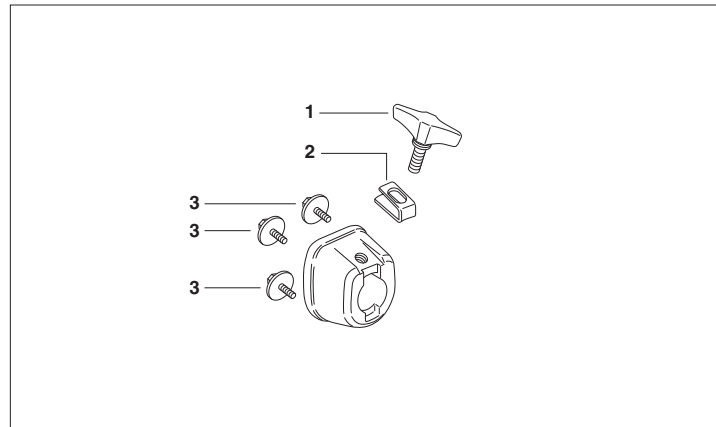
- |   |        |                                   |
|---|--------|-----------------------------------|
| 1 | M-815N | Die-Cast Wing Bolt (one each)     |
| 2 | PR-618 | Steel Bracket (one each)          |
| 3 | SC-233 | Mounting Screw w/Washer (one set) |

## BT-3



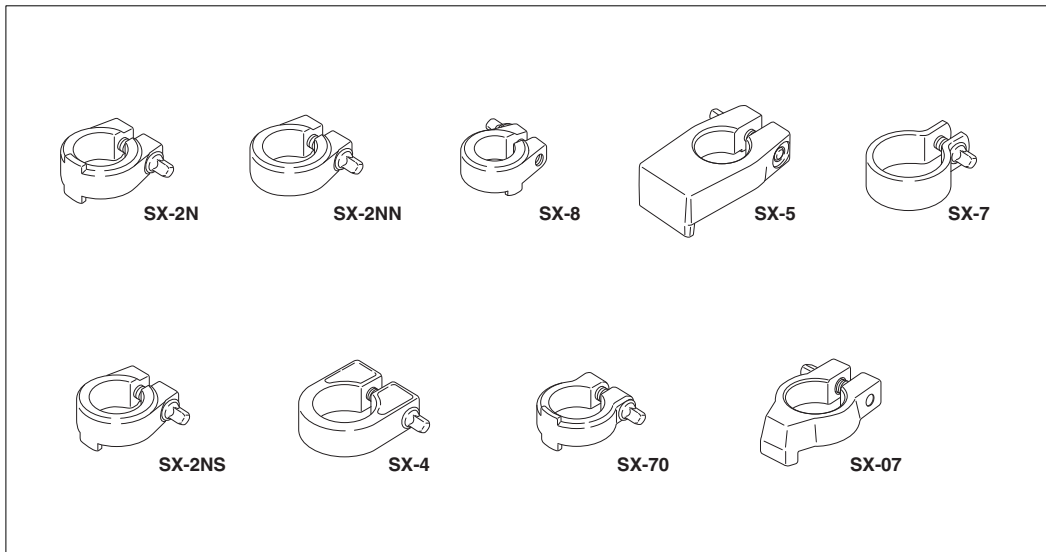
- |   |       |                                        |   |        |               |
|---|-------|----------------------------------------|---|--------|---------------|
| 1 | T-MS  | Mounting Screw, Washer & Nut (one set) | 4 | NP-186 | Set Plate     |
| 2 | M-6N  | Die-Cast Wing Nut w/Washer             | 5 | NB-7N  | Nylon Bushing |
| 3 | GK-36 | Gasket                                 | 6 | SC-640 | Clamp Bolt    |

## BT-70



- |   |        |                                   |
|---|--------|-----------------------------------|
| 1 | M-815N | Die-Cast Wing Bolt                |
| 2 | PR-618 | Steel Bracket                     |
| 3 | SC-234 | Mounting Screw w/Washer (one set) |

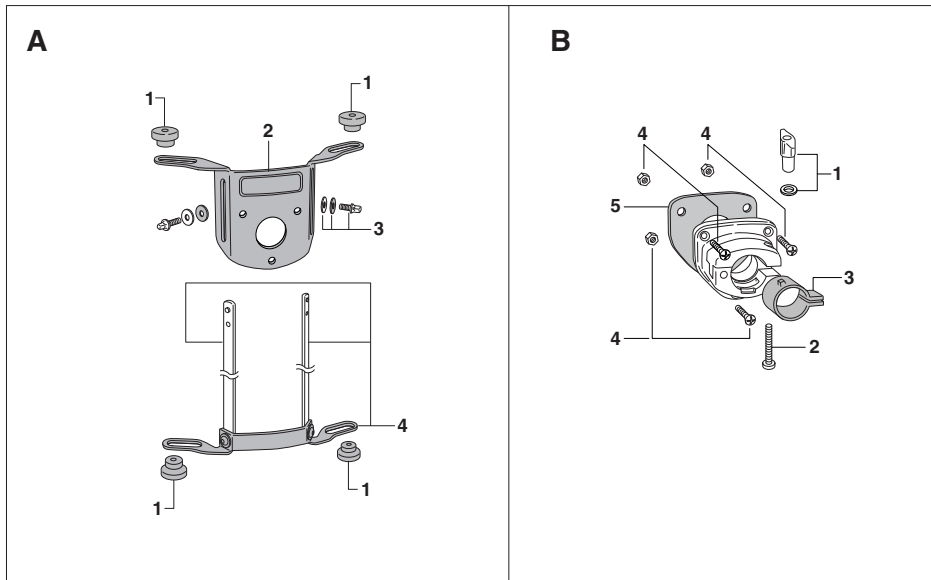
## Stop Locks



Number	Application
<b>SX-2N</b>	T-980W, T-900W, T-800W, TH-100, TH-100S, TH-100I, TH-98, TH-98S, TH-98I, TH-88, TH-88S, TH-88I, CH-88, CH-88L, CH-80
<b>SN-2NS</b>	T-980W, T-900W, T-800W
<b>SX-2NN</b>	H-985W, H-800W
<b>SX-4</b>	H-2000, H-885, H-855
<b>SX-5</b>	D-80, D-75
<b>SX-7</b>	D-80, D-70W, D-75
<b>SX-8</b>	B-855WL, B-855W, B-855, B-800W, CH-88, CH-88L, CH-80
<b>SX-07</b>	D-70W
<b>SX-70</b>	TH-70

# OPTIMOUNT, I.S.S.

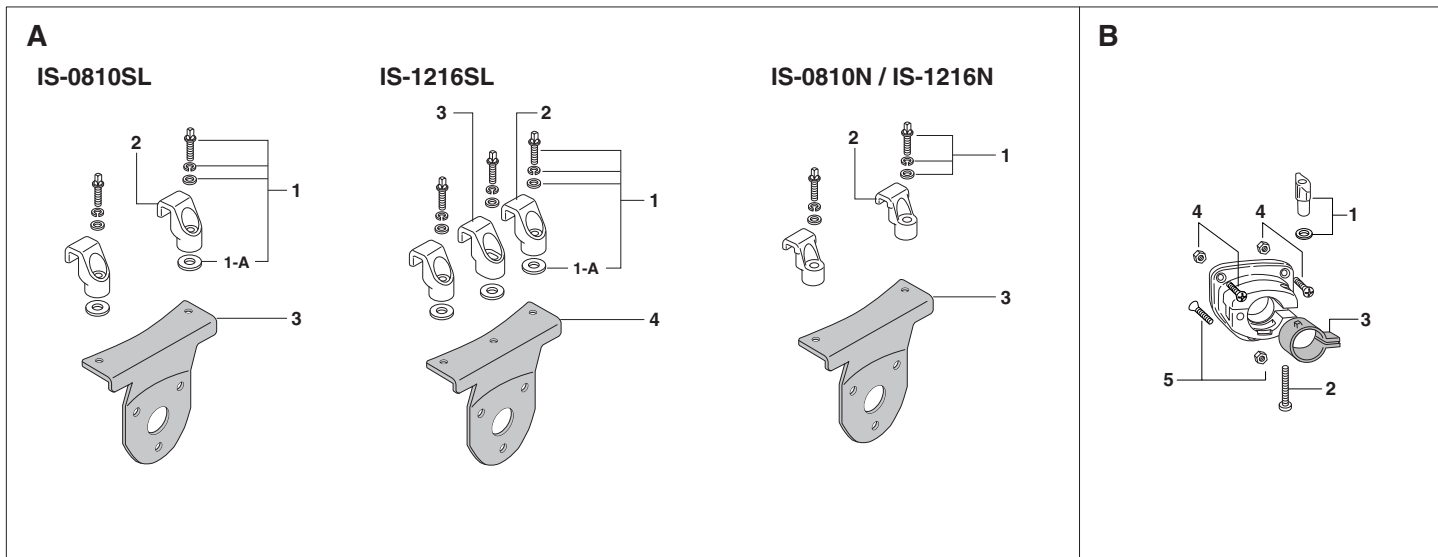
## Optimount Suspension System



- A**
- OPT-78** Optimount w/o BT-3 (for OPT-0708)
  - OPT-91** Optimount w/o BT-3 (for OPT-0910)
  - OPT-112** Optimount w/o BT-3 (for OPT-1112)
  - OPT-134** Optimount w/o BT-3 (for OPT-1314)
  - OPT-156** Optimount w/o BT-3 (for OPT-1516)
- 1 NP-265 Mounting Rubber (one each)
  - 2 PR-528 Bracket Mounting Plate ONLY
  - 3 KB-615W Key Bolt w/Washers (one each)
  - 4 PR-529A Lower Mounting Plate Assy. \* (for OPT-0708)
  - PR-530A Lower Mounting Plate Assy. \* (for OPT-0910)
  - PR-531A Lower Mounting Plate Assy. \* (for OPT-1112)
  - PR-532A Lower Mounting Plate Assy. \* (for OPT-1314)
  - PR-537A Lower Mounting Plate Assy. \* (for OPT-1516)
- (one set)
- \* (Includes Lower Mounting Plate and 1pr. connecting struts ONLY)

- B**
- BT-3-OPT** Mounting Bracket
  - 1 M-6N Die-Cast Wing Nut w/Washer
  - 2 SC-640 Clamp Bolt
  - 3 NB-7N Nylon Bushing
  - 4 IS-MS Mounting Screw & Nut (one set)
  - 5 NP-260P Rubber Gasket

## Integrated Suspension System (I.S.S.)

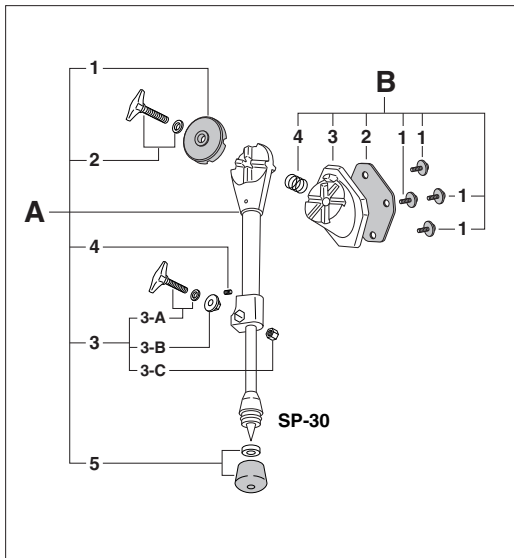


- A IS-0810SL I.S.S. for 8"-10" 2.3mm Super Hoop**
- 1 KB-625WN Key Bolt w/Washers (one set)
  - 1-A WS-5A Washer ONLY (one each)
  - 2 DC-385 Rim Hook (one each)
  - 3 PR-347N Bracket Mounting Plate
- A IS-1216SL I.S.S. for 12"-16" 2.3mm Super Hoop**
- 1 KB-625WN Key Bolt w/Washers (one set)
  - 1-A WS-5A Washer ONLY (one each)
  - 2 DC-385 Rim Hook Outside (one each)
  - 3 DC-386 Rim Hook Middle
  - 4 PR-346 Bracket Mounting Plate
- B BT-3-ISS Mounting Bracket (for I.S.S.)**
- 1 M-6N Die-Cast Wing Nut w/Washer
  - 2 SC-640 Clamp Bolt
  - 3 NB-7N Nylon Bushing
  - 4 IS-MS Upper Bolt & Nut Complete (one set)
  - 5 IS-MSL Bottom Bolt & Nut Complete

- A IS-0810N I.S.S. for 8"-10" 1.6mm Regular Hoop**
- 1 KB-625WN Key Bolt w/Washers (one set)
  - 2 DC-472 Rim Hook (one each)
  - 3 PR-347N Bracket Mounting Plate
- A IS-1216N I.S.S. for 12"-16" 1.6mm Regular Hoop**
- 1 KB-625WN Key Bolt w/Washers (one set)
  - 2 DC-472 Rim Hook (one each)
  - 3 PR-346N Bracket Mounting Plate
- B BT-3-ISS Mounting Bracket (for I.S.S.)**
- 1 M-6N Die-Cast Wing Nut w/Washer
  - 2 SC-640 Clamp Bolt
  - 3 NB-7N Nylon Bushing
  - 4 IS-MS Upper Bolt & Nut Complete (one set)
  - 5 IS-MSL Bottom Bolt & Nut Complete

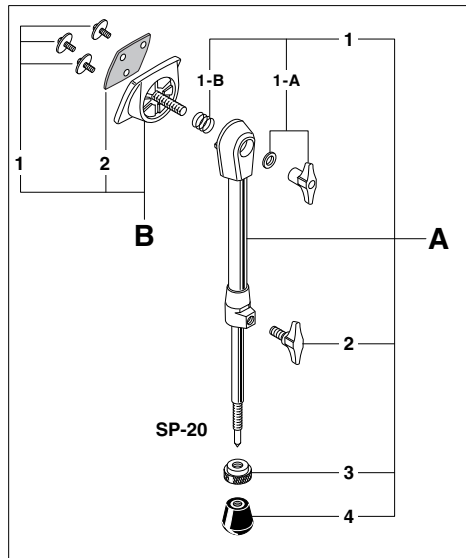
# BASS DRUM SPURS

## SP-30



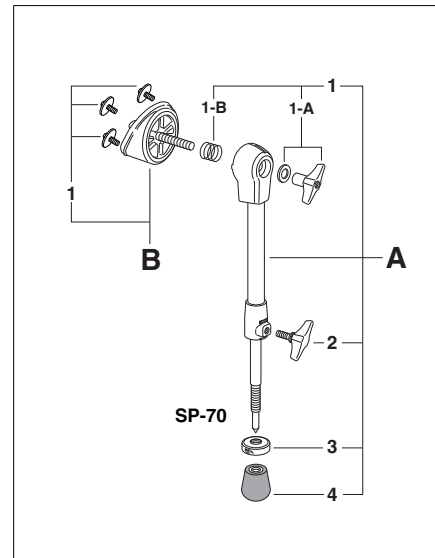
- A SP-30A Spur Assy. Complete**  
 1 SP-30C Outer Cap  
 2 M-835N Die-Cast Wing Bolt w/Washer  
 3 SP-30D Die-Cast Wing Bolt Set  
 3-A M-628N Die-Cast Wing Bolt w/Washer  
 3-B DC-91 Hexagonal Washer  
 3-C ME-89 Hexagonal Nut  
 4 SB-55 Allen Screw  
 5 R-30A Rubber Feet w/Washer  
**B SP-30E Spur Bracket Complete**  
 1 SM-512B Mounting Screw w/Washer (one each)  
 2 NP-244P Rubber Gasket  
 3 DC-88 Spur Bracket ONLY  
 4 SP-020 Spring

## SP-20



- A SP-20A Spur Assy. Complete**  
 1 SP-20B Die-Cast Wing Nut w/Washer and Spring  
 1-A M-8AN Die-Cast Wing Nut w/Washer  
 1-B SP-54 Spring  
 2 M-815N Die-Cast Wing Bolt  
 3 RHA-1T Lock Nut  
 4 RHS-1R Rubber Feet  
**B SPB-20A Spur Bracket Complete**  
 1 SM-512 Mounting Screw w/Washer (one each)  
 2 NP-332P Rubber Gasket (one each)

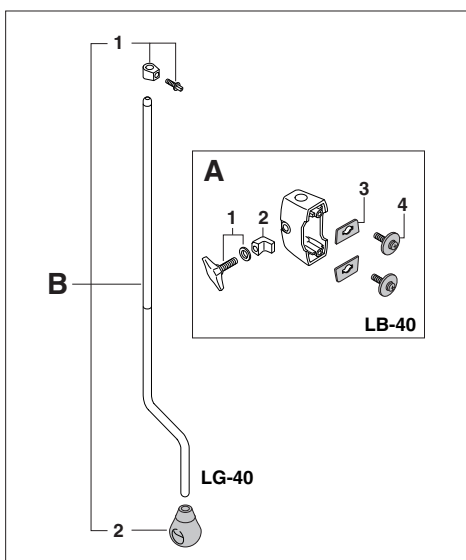
## SP-70



- A SP-70A Spur Assy. Complete**  
 1 SP-20B Die-Cast Wing Nut w/Washer & Spring  
 1-A M-8AN Die-Cast Wing Nut w/Washer  
 1-B SP-54 Spring  
 2 M-610N Die-Cast Wing Bolt  
 3 RHA-1T Lock Nut  
 4 RHS-1R Rubber Feet  
**B SPB-70A Spur Bracket Complete**  
 1 S-BA Mounting Screw w/Washer (one each)

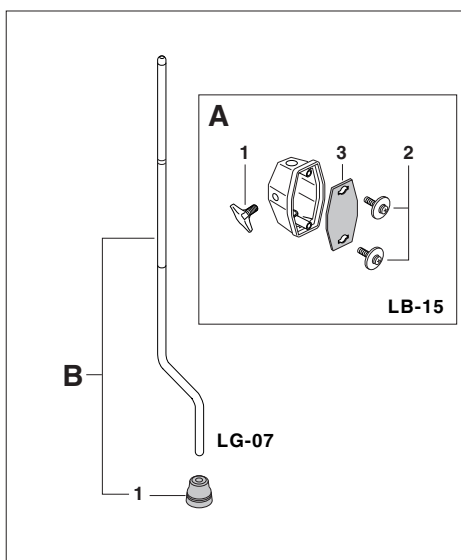
# FLOOR TOM LEG BRACKETS & LEGS

## LB-40/LG-40



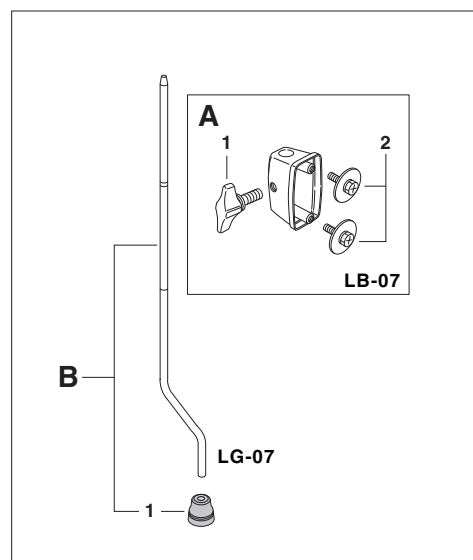
- A LB-40 Floor Tom Leg Bracket Assy. Complete**  
 1 M-615N Die-Cast Wing Bolt w/Washer  
 2 DC-337 Lock Nut  
 3 NP-245P Rubber Gasket  
 4 SM-512B Mounting Screw w/Washer (one each)  
**B LG-40 Floor Tom Leg Complete w/Stop Lock & Rubber Feet**  
 1 LG-04S Stop Lock Complete  
 2 R-40 Air Suspension Rubber Feet

## LB-15/LG-07



- A LB-15 Floor Tom Leg Bracket Assy. Complete**  
 1 M-820N Die-Cast Wing Bolt  
 2 SM-514 Mounting Screw w/Washer (one each)  
 3 NP-341P Rubber Gasket  
**B LG-07 Floor Tom Leg Complete w/Rubber Feet**  
 1 R-5 Rubber Tip

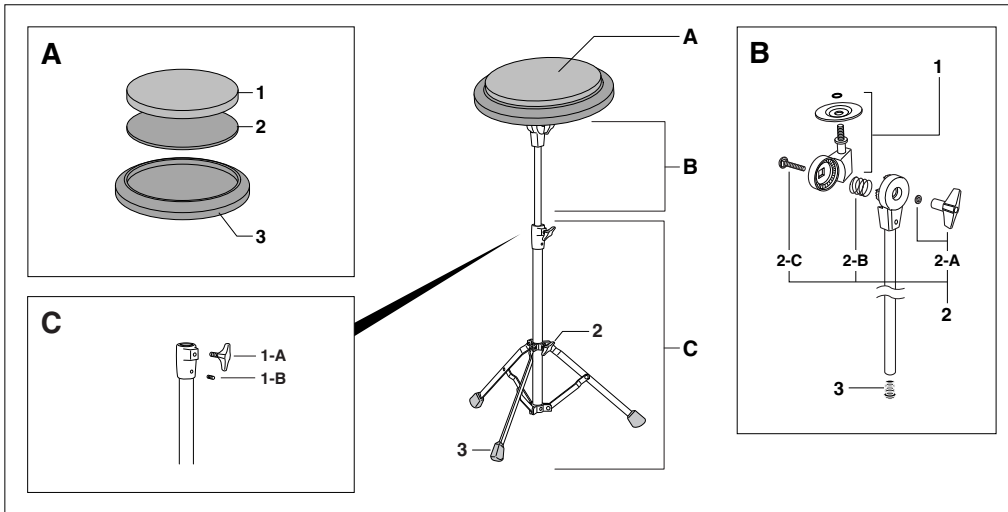
## LB-07/LG-07



- A LB-07 Floor Tom Leg Bracket Assy. Complete**  
 1 M-815N Die-Cast Wing Bolt  
 2 LBS-3S Mounting Screw w/Washer (one each)  
**B LG-07 Floor Tom Leg, Complete w/ Rubber Feet**  
 1 R-5 Rubber Feet

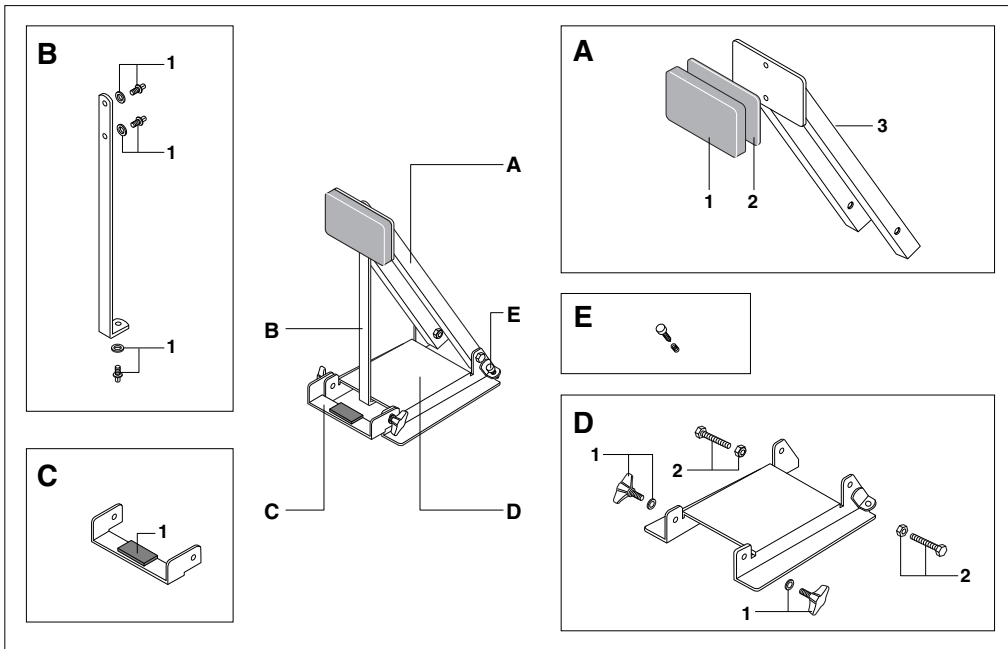
# PRACTICE PADS

## SD-50



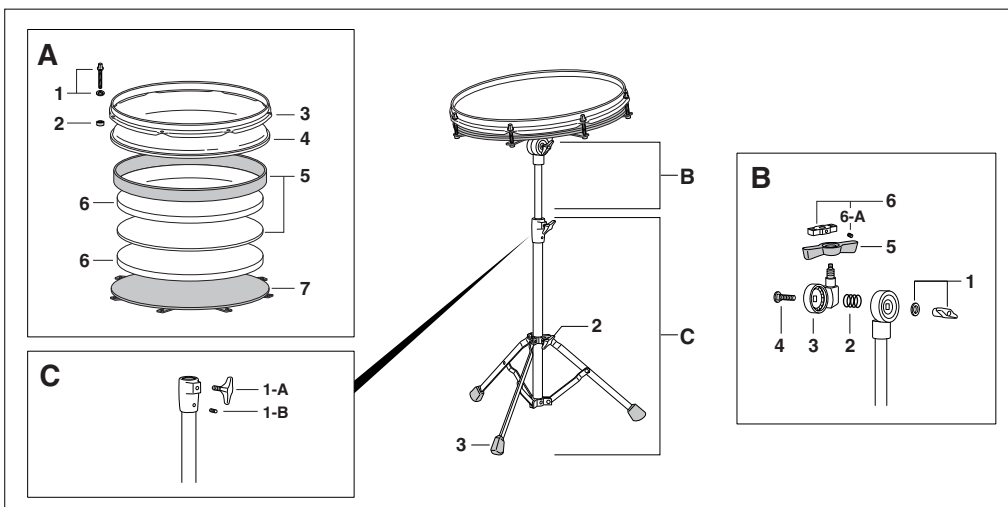
A	PAD-80	パッド一式	¥4,000
1	NP-202	パッド用ラバー	¥2,200
2	NP-202N	クッションゴム	¥500
3	NP-203	パッド本体	¥1,500
B	SDU-5A	上部パイプ一式	¥2,100
1	TL-70RDN	ティルター部一式	¥800
2	SN-70A	クランプボルトセット	¥500
2-A	MBAN	ウイングナット(ワッシャー付)	¥250
2-B	S-17	スプリング	¥100
2-C	S-33	クランプボルト	¥300
3	NP-212	キャップ	¥50
C	BA-50SS	脚部一式	¥4,000
1	DJ-45A	ダイカストジョイント一式	¥1,300
1-A	M-815N	ウイングボルト	¥300
1-B	S-44	アレンスクリュー	¥50
2	MB15N	ウイングボルト	¥300
3	R-12	ラバーチップ(脚ゴム)	¥250
	SD-50S	スタンド一式(B+C)	¥5,500

## BD-10



A	DP-10	パッド一式	¥4,500
1	NP-201	パッド	¥500
2	NP-201N	クッションゴム	¥250
3	NP-203	ベース本体	¥3,800
B	BBS-10	サポートバー一式	¥800
1	KB-610W	キーボルト(ワッシャー付)	¥100
C	CP-10	クランププレート一式	¥1,100
1	NP-140	クランプ用ラバー	¥100
D	BFP-10	フロアプレート一式	¥3,400
1	M-610W	ウイングボルト(ワッシャー付)	¥350
2	SC-144A	フロアプレート取付けネジ(ナット付)	¥200
E	LT-636	アンカーボルト	¥200

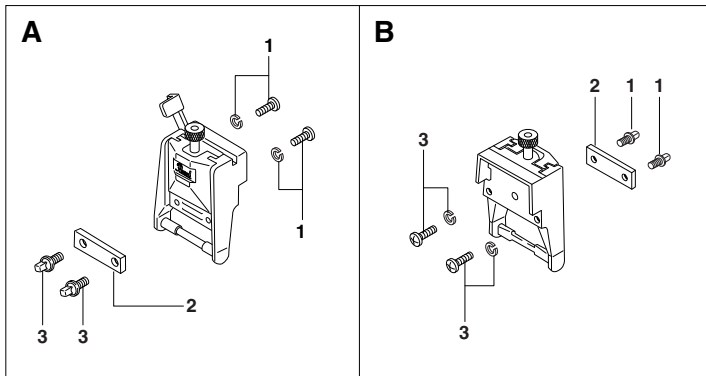
## SD-14



A	SD-14P	パッド一式	¥8,000
1	KB-640W	キーボルト(ワッシャー付)	¥100
2	NP-127	キャップ	¥50
3	RM-1408	スチールフーズ(1.6mm)	¥2,500
4	VM-14	ヘッド	¥900
5	SL-14	シェル一式(クッション付)	¥700
6	SN-14	ウレタンクッション	¥500
7	W-14	下板一式	¥3,000
B	SD-14SU	上部パイプ一式	¥2,000
1	M-8AN	ウイングナット(ワッシャー付)	¥200
2	SP-17	スプリング	¥100
3	D-144NA	ギア本体	¥700
4	S-33	クランプボルト	¥300
5	R-183	プラスチックナット	¥300
6	D-367A	ダイカストナット	¥200
6-A	S-74	アレンスクリュー	¥50
C	S-70BL	脚部一式	¥5,000
1	DJ-55A	ダイカストジョイント一式	¥1,300
1-A	M-815N	ウイングボルト	¥300
1-B	S-44	アレンスクリュー	¥50
2	MB15N	ウイングボルト	¥300
3	R-12	ラバーチップ(脚ゴム)	¥250
	SD-14S	スタンド一式(B+C)	¥5,500

# STRAINERS

## SR-010



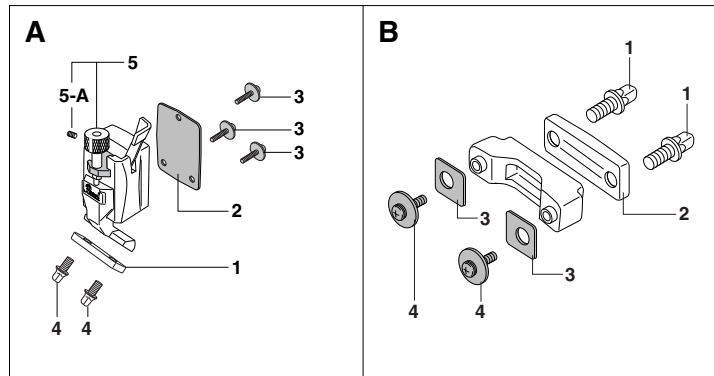
### A SR-10A Release Side Assy. Complete

- 1 SN-612 Mounting Screw w/Washer (one set)
- 2 SR-16C Snare Mounting Plate
- 3 KB-508 Key Bolt (one each)

### B SR-10B Butt Side Assy. Complete

- 1 KB-508 Key Bolt (one each)
- 2 SR-16C Snare Mounting Plate
- 3 SN-612 Mounting Screw w/Washer (one set)

## SR-012/012G



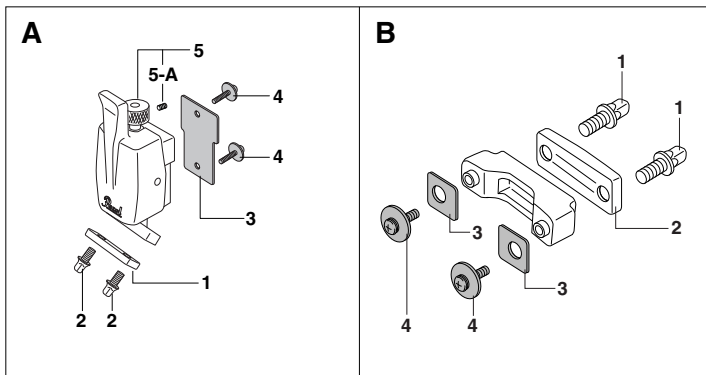
### A SR-12A Release Side Assy. Complete

- 1 SR-12D Snare Mounting Plate
- 2 NP-329P Rubber Gasket
- 3 SM-414B Mounting Screw w/Washer (for 4 ply shell)
- SM-416B Mounting Screw w/Washer (for 6 ply shell)
- SM-409 Mounting Screw w/Washer (for Metal shell)
- 4 KB-508 Key Bolt (one each)

### B SR-18E Butt Side Assy. Complete

- 1 KB-508 Key Bolt (one each)
- 2 SR-12D Snare Mounting Plate
- 3 NP-251P Rubber Gasket (one each)
- 4 SM-411B Mounting Screw w/Washer (for 4 ply shell)
- SM-414B Mounting Screw w/Washer (for 6 ply shell)
- SM-411C Mounting Screw w/Washer (for Metal shell)

## SR-015/015G



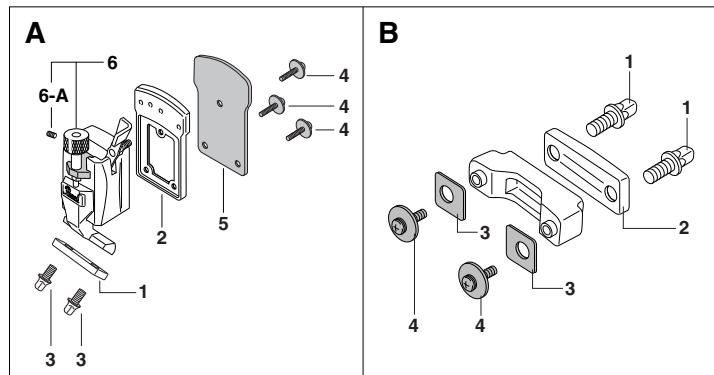
### A SR-15A Release Side Assy. Complete

- 1 SR-12D Snare Mounting Plate
- 2 KB-508 Key Bolt (one each)
- 3 NP-248P Rubber Gasket
- 4 SM-414B Mounting Screw w/Washer (for 4 ply shell)
- SM-416B Mounting Screw w/Washer (for 6 ply shell)
- SM-418B Mounting Screw w/Washer (for 8 ply shell)
- SM-409 Mounting Screw w/Washer (for Metal shell)
- 5 ME-376A Adjustment Bolt, Complete
- 5-A SB-44 Allen Screw

### B SR-18E Butt Side Assy. Complete

- 1 KB-508 Key Bolt (one each)
- 2 SR-12D Snare Mounting Plate
- 3 GK-18SB Gasket (one each)
- 4 SM-411B Mounting Screw w/Washer (for 4 ply shell)
- SM-414B Mounting Screw w/Washer (for 6 ply shell)
- SM-416B Mounting Screw w/Washer (for 8 ply shell)
- SM-411C Mounting Screw w/Washer (for Metal shell)

## SR-020/020G



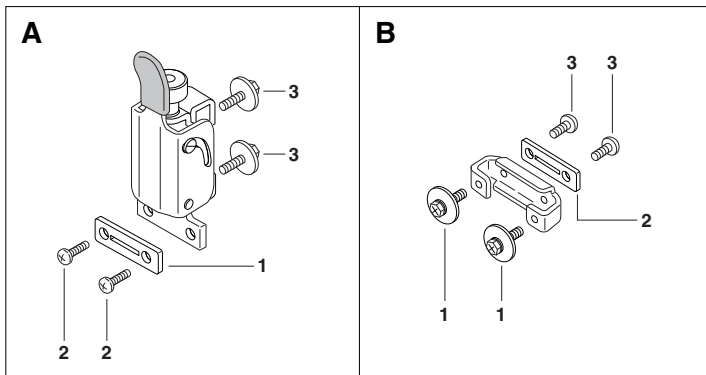
### A SR-20A Release Side Assy. Complete

- 1 SR-12D Snare Mounting Plate
- 2 DC-408 Trace Plate
- 3 KB-508 Key Bolt (one each)
- 4 SM-418B Mounting Screw w/Washer (one each)
- 5 NP-328P Rubber Gasket
- 6 ME-226A Adjustment Bolt, Complete
- 6-A SB-44 Allen Screw

### B SR-18E Butt Side Assy. Complete

- 1 KB-508 Key Bolt (one each)
- 2 SR-12D Snare Mounting Plate
- 3 NP-251P Rubber Gasket (one each)
- 4 SM-411B Mounting Screw w/Washer

## SR-013



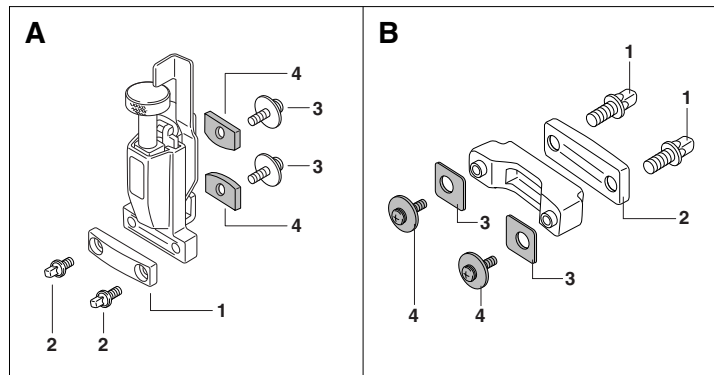
### A SR-13A Release Side Assy. Complete

- 1 PR-621 Snare Mounting Plate
- 2 SC-7C Screw (one each)
- 3 SM-416 Mounting Screw w/Washer (one set)

### B SR-13E Butt Side Assy. Complete

- 1 SM-416 Mounting Screw w/Washer (one set)
- 2 PR-621 Snare Mounting Plate
- 3 SC-7C Screw (one each)

## SR-014N



### A SR-14A Release Side Assy. Complete

- 1 SR-12D Snare Mounting Plate
- 2 KB-508 Key Bolt (one each)
- 3 SM-514 Mounting Screw w/Washer (for 6 ply shell)
- SM-509 Mounting Screw w/Washer (for Metal shell)
- 4 NP-326P Rubber Gasket (one each)

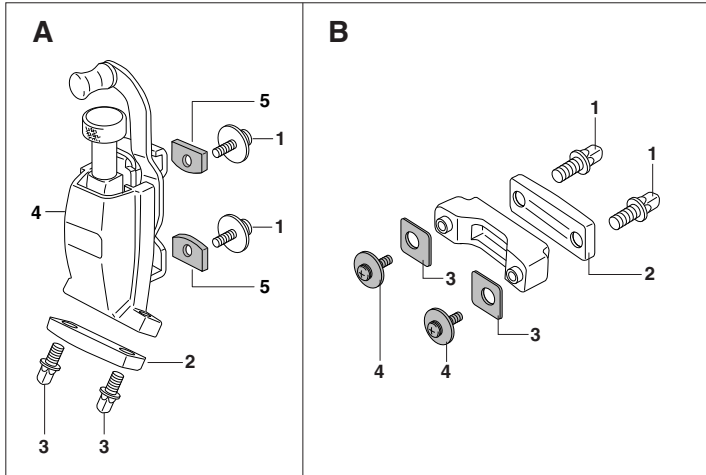
### B SR-18E Butt Side Assy. Complete

- 1 KB-508 Key Bolt (one each)
- 2 SR-12D Snare Mounting Plate
- 3 NP-251P Rubber Gasket (one each)
- 4 SM-414B Mounting Screw w/Washer (for 6 ply shell)
- SM-411C Mounting Screw w/Washer (for Metal shell)



# STRAINERS

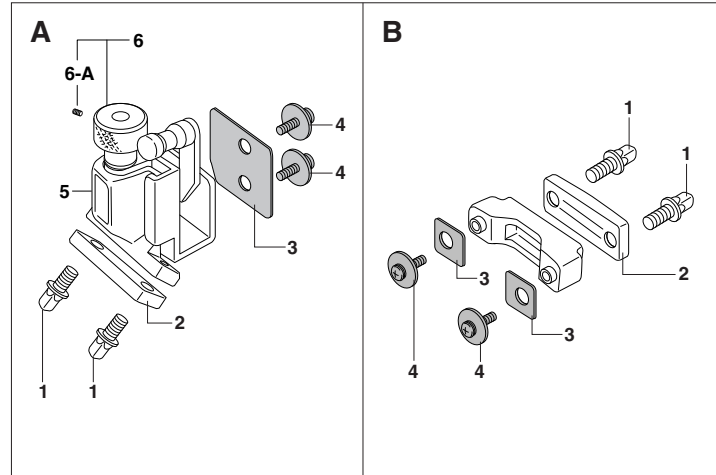
## SR-017



- A SR-17A Release Side Assy. Complete**
- 1 SM-513B Mounting Screw w/Washer (for 6 ply shell)
  - SM-520B Mounting Screw w/Washer (for 10 ply shell)
  - SM-507 Mounting Screw w/Washer (for Metal shell)
  - SM-510 Mounting Screw w/Washer (for UCA Snare Drum)
  - 2 SR-12D Snare Mounting Plate
  - 3 KB-508 Key Bolt (one each)
  - 4 DC-440 Strainer Cover
  - 5 NP-249P Rubber Gasket (one each)

- B SR-18E Butt Side Assy. Complete**
- 1 KB-508 Key Bolt (one each)
  - 2 SR-12D Snare Mounting Plate
  - 3 NP-251P Rubber Gasket (one each)
  - 4 SM-414B Mounting Screw w/Washer (for 6 ply shell)
  - SM-420B Mounting Screw w/Washer (for 10 ply shell)
  - SM-411C Mounting Screw w/Washer (for Metal shell)
  - SM-409 Mounting Screw w/Washer (for UCA Snare Drum)

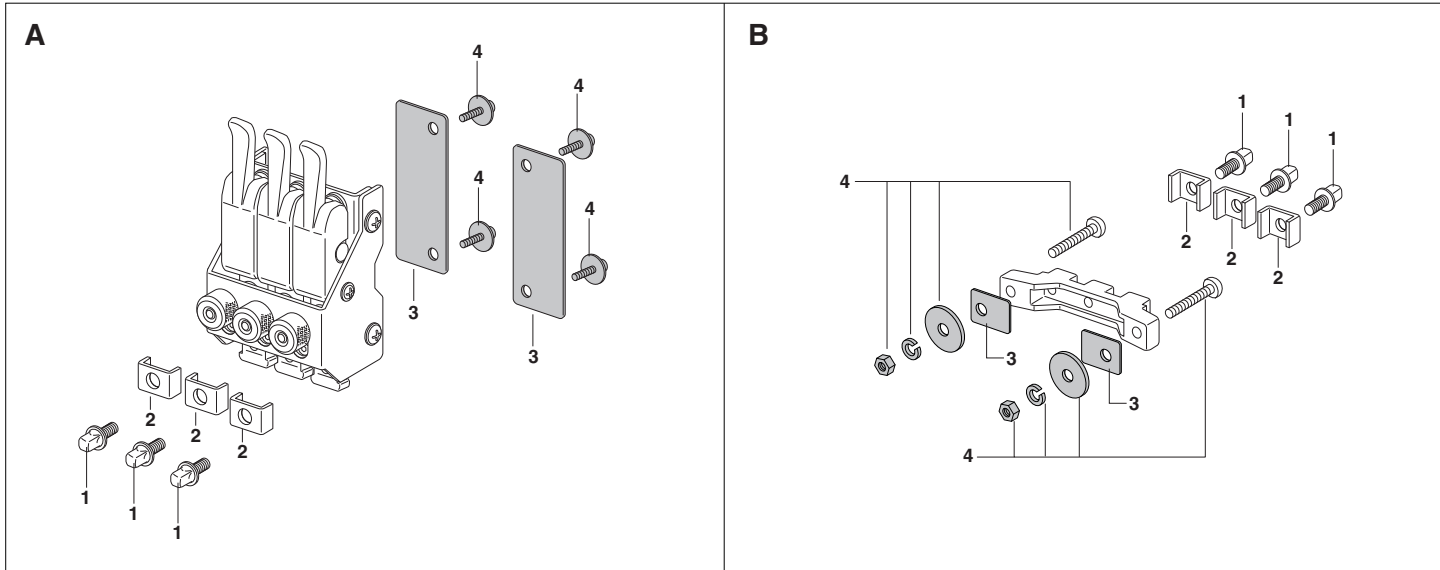
## SR-018



- A SR-18A Release Side Assy. Complete**
- 1 KB-508 Key Bolt (one each)
  - 2 SR-12D Snare Mounting Plate
  - 3 NP-250P Rubber Gasket
  - 4 SM-414B Mounting Screw w/Washer (for 6 ply shell)
  - SM-416B Mounting Screw w/Washer (for 6 ply shell)
  - SM-416B Mounting Screw w/Washer (for 8 ply shell)
  - SM-411C Mounting Screw w/Washer (for Metal shell)
  - 5 DC-457 Strainer Cover
  - 6 ME-454A Adjust Bolt Cover
  - 6-A SB-44 Allen Screw

- B SR-18E Butt Side Assy. Complete**
- 1 KB-508 Key Bolt (one each)
  - 2 SR-12D Snare Mounting Plate
  - 3 NP-251P Rubber Gasket (one each)
  - 4 SM-414B Mounting Screw w/Washer (for 6 ply shell)
  - SM-416B Mounting Screw w/Washer (for 6 ply shell)
  - SM-416B Mounting Screw w/Washer (for 8 ply shell)
  - SM-411C Mounting Screw w/Washer (for Metal shell)

## SR-300



- A SR-300A Release Side Assy. Complete**
- 1 KB-508 Key Bolt (one each)
  - 2 DC-463 Snare Mounting Plate (one each)
  - 3 GA-53 Gasket (one each)
  - 4 SM-414B Mounting Screw w/Washer (one set)

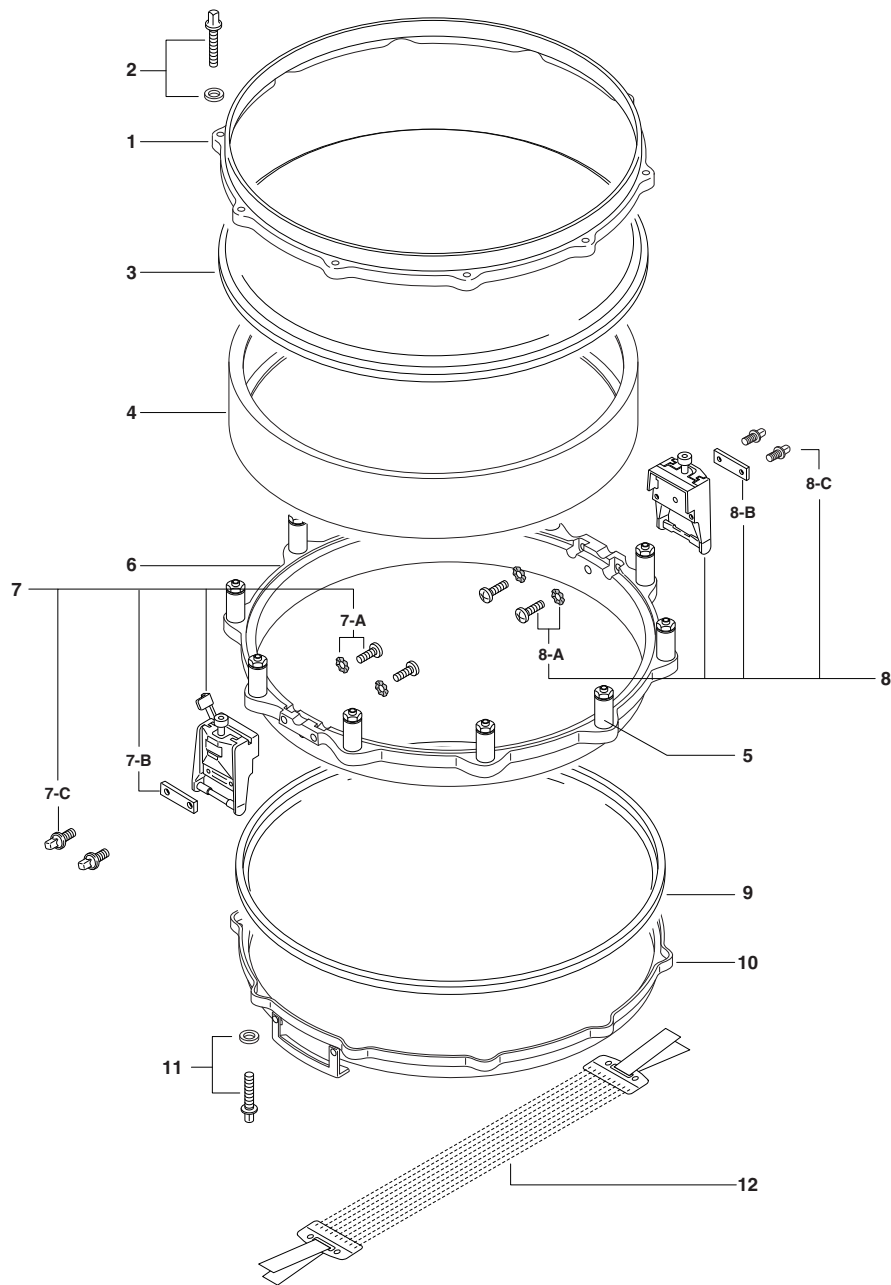
- B SR-300E Butt Side Assy. Complete**
- 1 KB-508 Key Bolt (one each)
  - 2 DC-463 Snare Mounting Plate (one each)
  - 3 GA-52 Gasket (one each)
  - 4 SC-508-AC Mounting Screw w/Washer (one set)

## Snare Wires

Model#	Strands	Size	Material
S-022	20	14"	High Carbon Steel, Straps
S-022N	20	14"	High Carbon Steel, Cords
S-025	20	14" long	High Carbon Steel
S-029N	20	13"	High Carbon Steel
S-030N	24	14"	High Carbon Steel
S-031N	20	12"	High Carbon Steel
S-032N	12	10"	High Carbon Steel
S-032	12	10"	High Carbon Steel
S-033N	12	12"	High Carbon Steel
S-033	12	12"	High Carbon Steel
S-040	15	14"	Steel, thinner gauge
S-041	15	14"	Bronze, thicker gauge

# F.F.S. SNARE DRUM

## Free Floating System Snare Drum

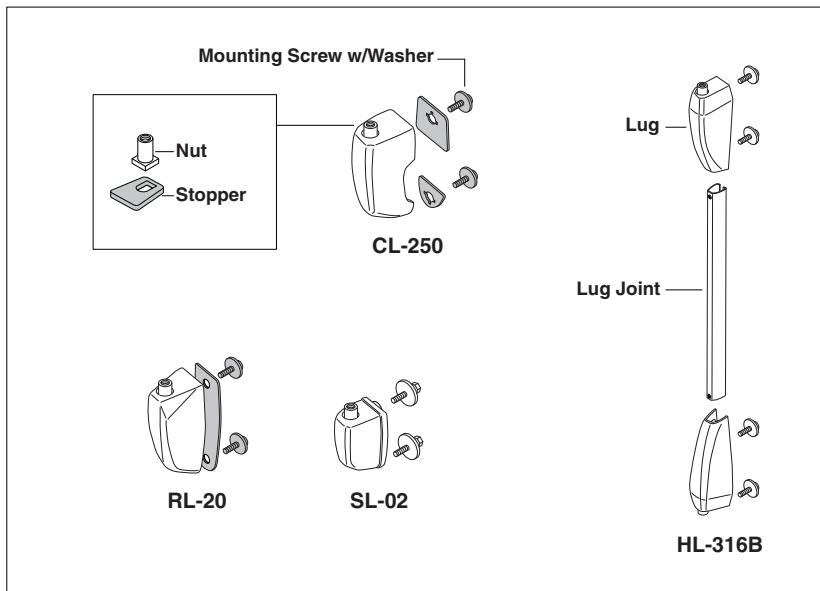


### Free Floating System Snare Drum

1	DC-1410	Die-Cast Hoop for Batter Side	8	SR-10B	Butt Side Assy. Complete of SR-010 Strainer
	SH-1410B	SuperHoop II for Batter Side (SL-8114P ONLY)	8-A	SN-612	Mounting Screw w/Washer (one each)
2	T-060	Tension Key Rod w/Washer (one each)	8-B	SR-16C	Snare Mounting Plate
3	—	Head for Batter Side	8-C	KB-508	Key Bolt (one each)
4	—	Shell	9	—	Head for Snare Side
5	FT-35	Lug Post for 3 1/2" Depth Snare Drum	10	DC-1410SG	Die-Cast Hoop w/Guard for Snare Side
	FT-50	Lug Post for 5" Depth Snare Drum		SH-1410SG	SuperHoop II w/Guard for Snare Side (SL-8114P ONLY)
	FT-65	Lug Post for 6 1/2" Depth Snare Drum	11	T-060	Tension Key Rod w/Washer (one each)
	FT-80	Lug Post for 8" Depth Snare Drum	12	S-025	High Carbon Steel Wire Snares w/Plastic Straps
6	ARC-1410	Aluminum Ring Chassis ONLY			
7	SR-10A	Release Side Assy. Complete of SR-010 Strainer			
7-A	SN-612	Mounting Screw w/Washer (one each)			
7-B	SR-16C	Snare Mounting Plate			
7-C	KB-508	Key Bolt (one each)			

# LUGS, BOLTS, TENSION CLAWS

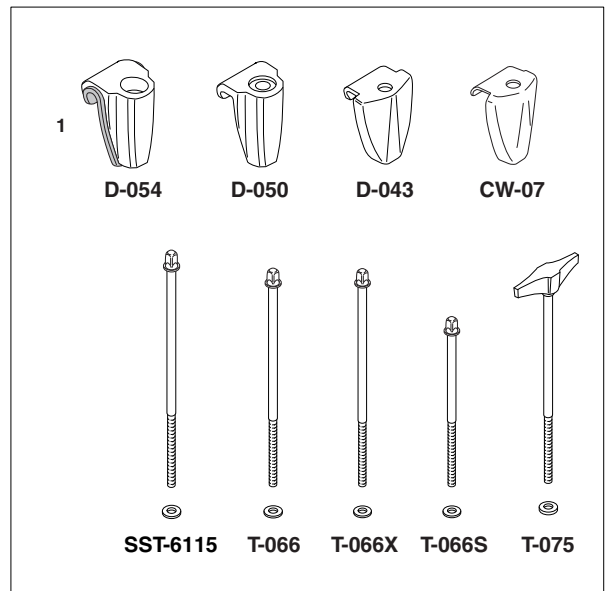
## Lugs for Bass Drum



Application	Number	Nut	Stopper	Gasket	Screw
MMX/MRX Bass Drum 4PLY	CL-250	DC-5US	NP-225	NP-262P (Large)	SM-411B
MMX/MRX Bass Drum 6PLY				NP-263P (Small)	SM-414B
ELX/EX Bass Drum	RL-20	DC-5BN	NP-179N	NP-333P	SM-414B
SRX Bass Drum					SM-414B
FX/RT Bass Drum	SL-02	DC-6FE	NP-607		SM-411

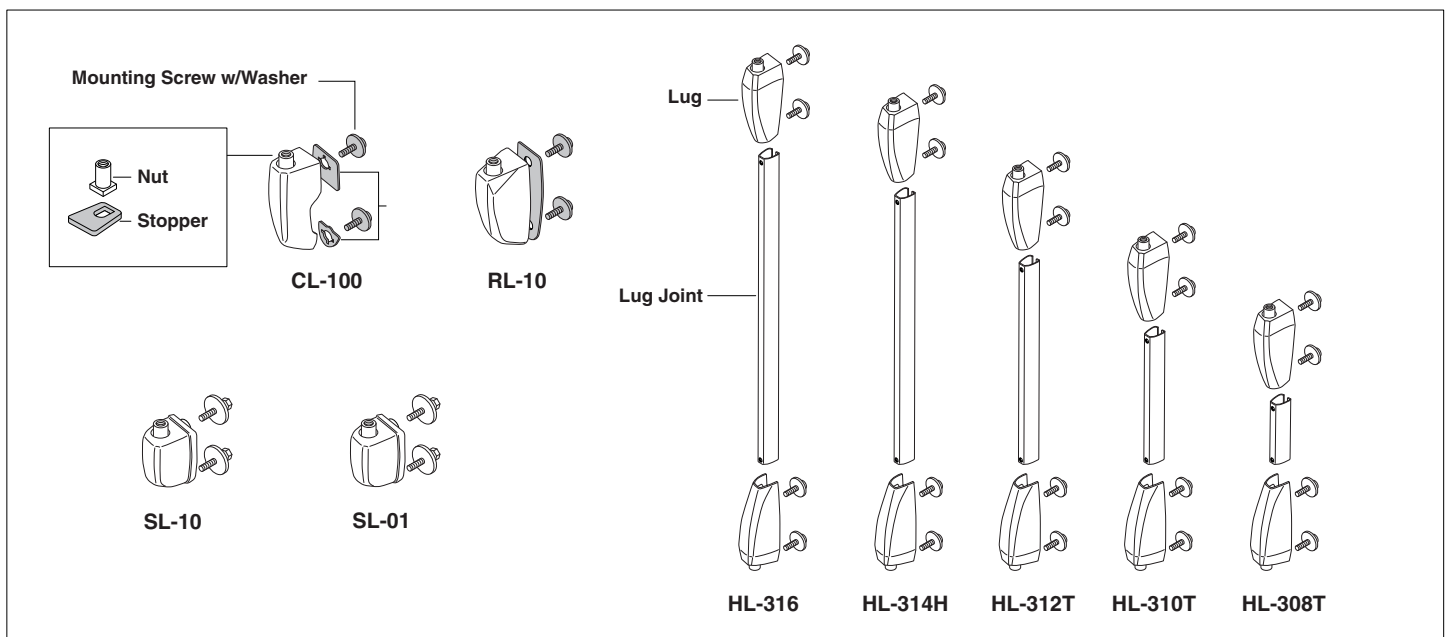
Application	Number	Lug	Lug Joint	Nut	Stopper	Screw
ELX/EX Bass Drum (16"deep)	HL-316B	HL-30L	PR-463	DC-5FE	NP-179N	SM-414B
ELX/EX Bass Drum (18"deep)	HL-318B		PR-550			

## Bass Drum Tension Claws & Bolts



Number	Application
D-054	MMX / MRX / MHX / BRX bass drums
D-054-1	Rubber gasket ONLY
D-050	SRX
D-043	ELX
CW-07	EX / FX / RT
T-066	M6 X 110mm for all Pearl bass drums except FX / RT
T-066X	M5.8 X 110mm for FX
T-066S	M5.8 X 85mm for RT
T-075	M6 X 110mm T-rod for all Pearl bass drums except FX / RT

## Lugs for Tom Toms



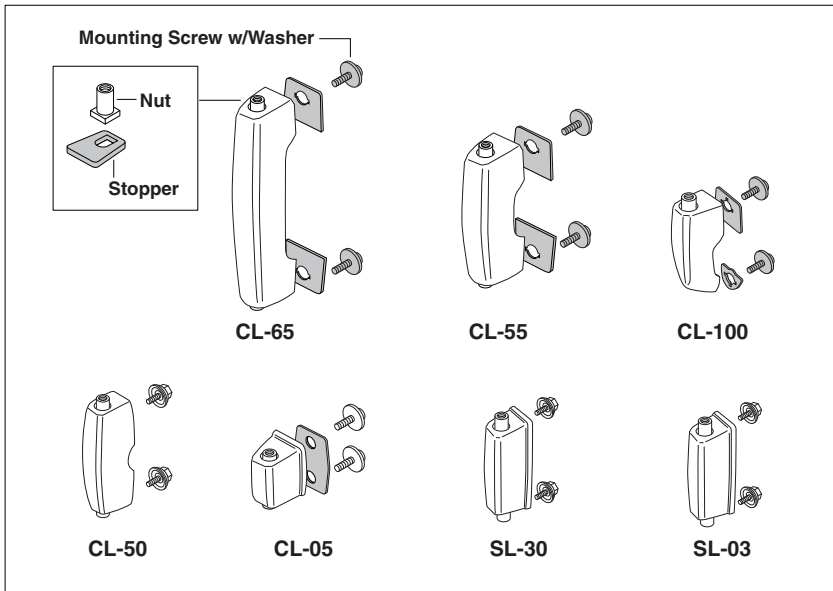
Application	Number	Nut	Stopper	Gasket	Screw
MMX/MHX Toms 4PLY	CL-100	DC-6US	NP-135N	NP-204P (Large)	SM-411B
MRX/BRX Toms 6PLY				NP-241P (Small)	SM-414B
ELX/EX Toms	RL-10	DC-6BN	NP-135N	NP-334P	SM-414B
SRX Toms					SM-414B
FX Toms - 1999	SL-10	DC-6FE	NP-135N	---	SM-414B
FX/RT	SL-01	DC-6FE	NP-135N	---	SM-411

Application	Number	Lug	Lug Joint	Nut	Stopper	Screw
ELX/EX Bass Drum (16"deep)	HL-316T		PR-462	DC-6FE	NP-81B	SM-414B
ELX/EX Bass Drum (14"deep)	HL-314T		PR-461	DC-6FE	NP-81B	
ELX/EX Bass Drum (12"deep)	HL-312T	HL-30S	PR-460	DC-6FE	NP-81B	
ELX/EX Bass Drum (10"deep)	HL-310T		PR-459	DC-6FE	NP-81B	
ELX/EX Bass Drum (8"deep)	HL-308T		PR-458	DC-6FE	NP-81B	

Number	Lug	Lug Joint	Nut	Stopper	Screw	Application
HL-316T	3pcs S	PR-462	DC-6FE	NP-81B	ELX/EX SM-412	SC-1N ELX / EX tom
HL-314T	3pcs S	PR-461	DC-6FE	NP-81B	SM-412	SC-1N ELX / EX tom
HL-312T	3pcs S	PR-460	DC-6FE	NP-81B	SM-412	SC-1N ELX / EX tom
HL-310T	3pcs S	PR-459	DC-6FE	NP-81B	SM-412	SC-1N ELX / EX tom
HL-308T	3pcs S	PR-458	DC-6FE	NP-81B	SM-412	SC-1N ELX / EX tom

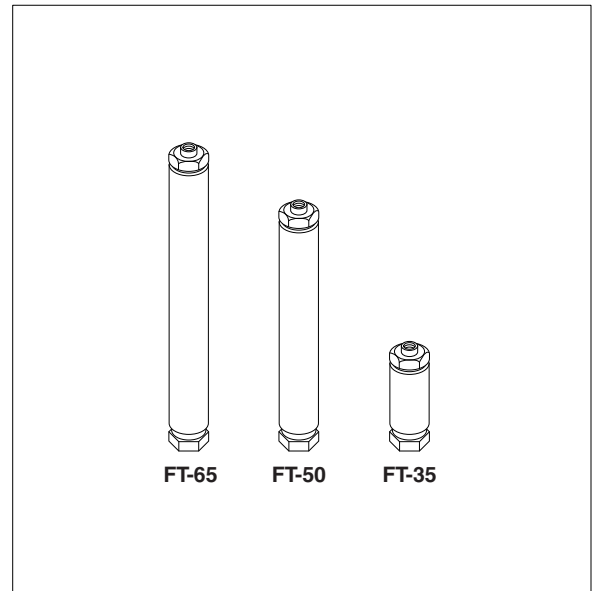
# LUGS & BOLTS

## Lugs for Snare Drum



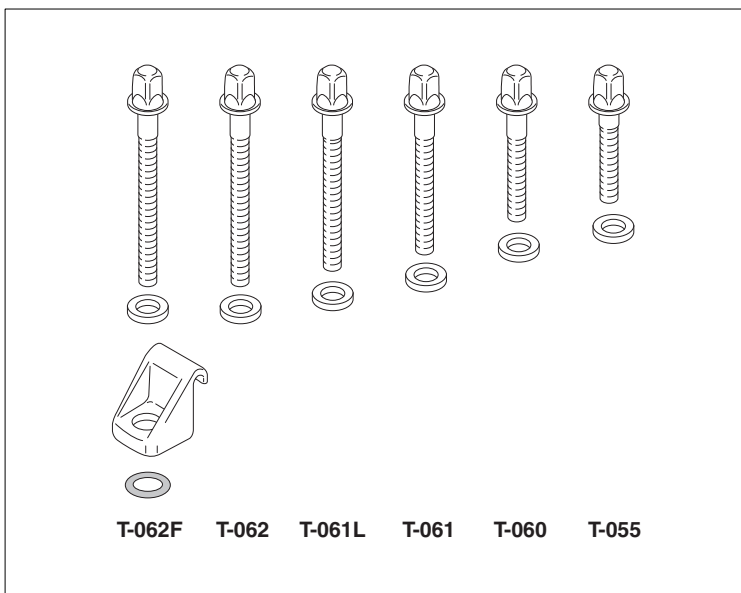
Number	Nut	Stopper	Gasket	Screw			Application
				METAL	WOOD 4PLY	WOOD 6PLY	
CL-100	DC-6US	NP-135N	NP-240P(Large) NP-241P(Small)	SM-411C	SM-411B	SM-414B	---
CL-65	DC-6US	NP-135N	NP-240P	SM-411C	SM-411B	SC-414B	6.5" deep
CL-55	DC-6US	NP-135N	NP-240P	SM-411C	SM-411B	SC-414B	5.5" deep
CL-50	DC-6BN	NP-135N	---	SM-411C	---	---	5.5" deep EX/ELX
CL-05	ME-256US	NP-135N	NP-257P	SM-411C	SM-411B	SM-414B	3" & 4" deep
SL-30	DC-6FE	NP-135N	---	SM-411C	---	---	5.5" deep FX-1999
SL-03	DC-6FE	NP-135N	---	---	---	SM-411	5.5" deep FX/RT-2000

## Tubes for "F.F.S" Snare Drum



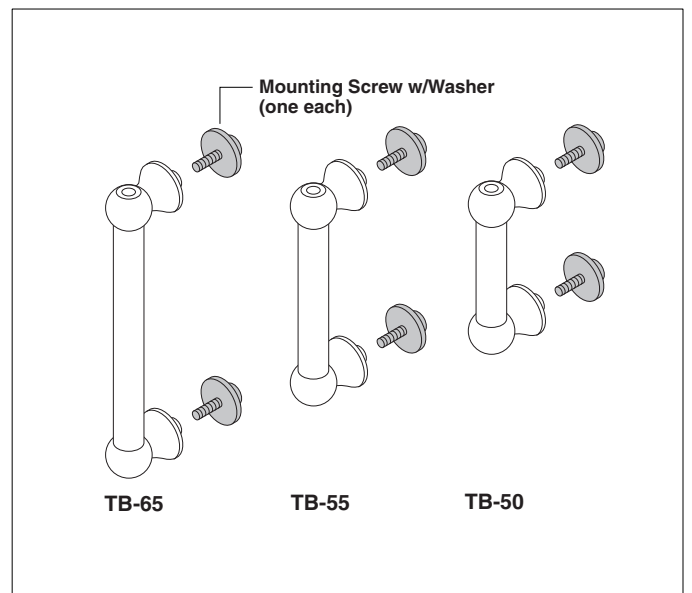
Number	Application
FT-35	Tube Assy. complete for 3.5" deep
FT-50	Tube Assy. complete for 5" deep
FT-65	Tube Assy. complete for 6.5" deep
FT-80	Tube Assy. complete for 8" deep

## Tension Key Rods w/Washer



Number	Dia X Length	Application
T-062F/6	5.8mm X 52mm	w/Die-Cast Claw & Rubber O-Ring for SensiTone Classic snare drums (6/pkg)
T-062L/6	5.8mm X 58mm	EX/ELX 213D, 2116, 2118 (6/pkg)
T-062/6	5.8mm X 52mm	5.5" deep snare drums w/CL-55 lugs (6/pkg)
T-061L/6	5.8mm X 47mm	Masters, SRX, FX, RT toms / EX & ELX toms (other than 213D, 2116, 2118) / 5" deep snare drums w/CL-55 / 6.5" deep snare drums w/CL-65/CL-100 / 7" deep snare drums w/CL-100(6/pkg)
T-061/6	5.8mm X 42mm	4" deep snare drums (6/pkg)
T-060/6	5.8mm X 35mm	Free Floating System snare drums (6/pkg)
T-055/6	5.8mm X 28mm	3" deep snare drums (6/pkg)

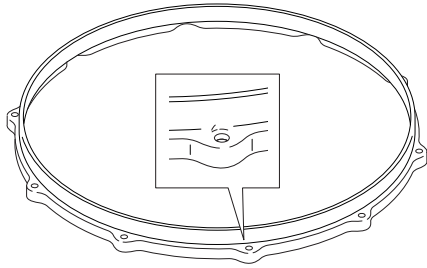
## Tube Lugs



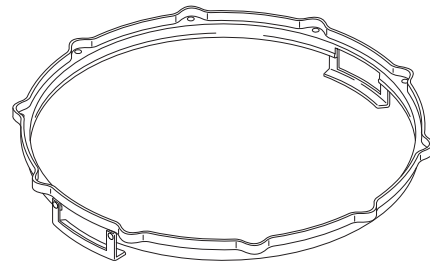
Number	Application
TB-50	Tube Lug Assy. complete for 5" deep: SensiTone Classic II
TB-55	Tube Assy. complete for 5" deep: Symphonic snare drums
TB-65	Tube Assy. complete for 6.5" deep: Symphonic snare drums

# HOOPS

## Die-Cast Hoops



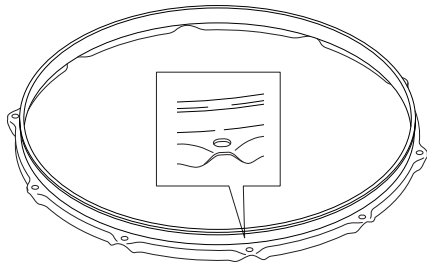
DC-1410



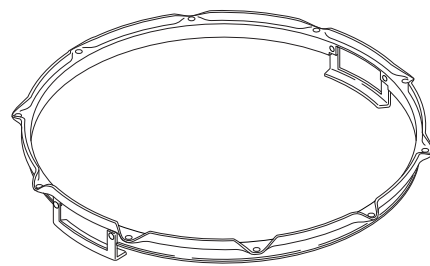
DC-1410SG

Number	Dia.	Description	Number	Dia.	Description
DC-0805	8"	5 rod	DC-1410	14"	10 rod
DC-1006	10"	6 rod	DC-1410S	14"	10 rod, snare side
DC-1206	12"	6 rod	DC-1410SG	14"	10 rod, snare side w/guard
DC-1306	13"	6 rod	DC-1508	15"	8 rod
DC-1408	14"	8 rod	DC-1608	16"	8 rod
DC-1408S	14"	8 rod, snare side	DC-1808	18"	8 rod

## Super Hoop II, Regular Steel Hoops & Brass Hoops



SH-1410



SH-1410SG

### Super Hoop II

Number	Dia.	Description	Number	Dia.	Description
SH-0604	6"	4 rod	SH-1410	14"	10 rod, batter side
SH-0805	8"	5 rod	SH-1410S	14"	10 rod, snare side
SH-1006S	10"	6 rod, snare side	SH-1410SG	14"	10 rod, snare side w/guard
SH-1206S	12"	8 rod, snare side	SH-1508	15"	8 rod
SH-1306	13"	6 rod	SH-1608	16"	8 rod
SH-1408	14"	8 rod	SH-1808	18"	8 rod

### Regular Steel Hoops

Number	Dia.	Description	Number	Dia.	Description
RIM-0804	8"	4 rod	RIM-1408	14"	8 rod, batter side
RIM-1006	10"	6 rod	RIM-1408S	14"	8 rod, snare side
RIM-1206	12"	6 rod	RIM-1410	14"	10 rod, batter side
RIM-1306	13"	6 rod	RIM-1410S	14"	10 rod, snare side
RIM-1308	13"	8 rod, batter side	RIM-1608	16"	8 rod
RIM-1308S	13"	8 rod, snare side	RIM-1808	18"	8 rod
RIM-1406	14"	6 rod			

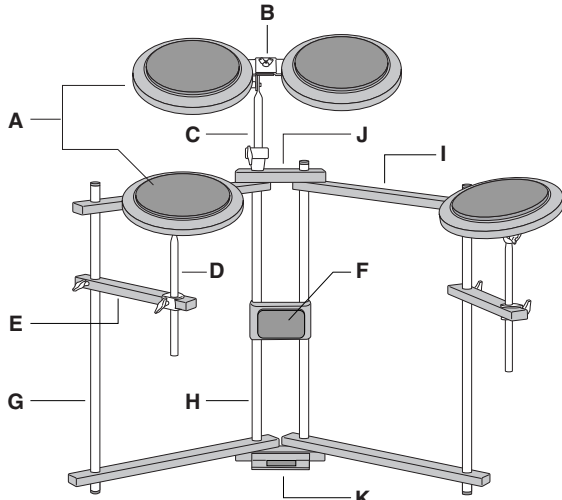
## Bass Drum Hoops

Number	Dia.	Application	Number	Dia.	Application
RIM-18W	18"	MMX/MRX/MHX/BRX/SRX/ELX	HPP-1	—	MMX/MRX/MHX/BRX/SRX/ELX
RIM-22W	22"	MMX/MRX/MHX/BRX/SRX/ELX	NP-01	—	EX/FX/RT
RIM-24W	24"	MMX/MRX/MHX/BRX/SRX/ELX			
RIM-18RB	18"	EX/FX/RT			
RIM-22RB	22"	EX/FX/RT			
RIM-24RB	24"	EX/FX/RT			

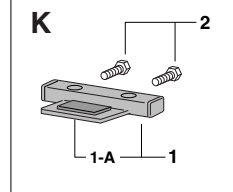
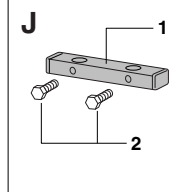
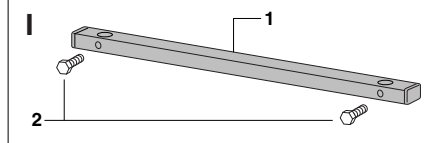
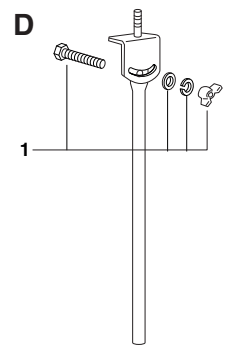
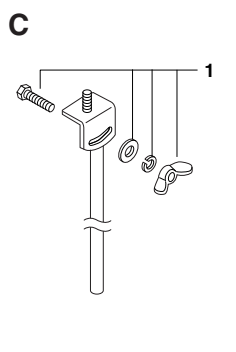
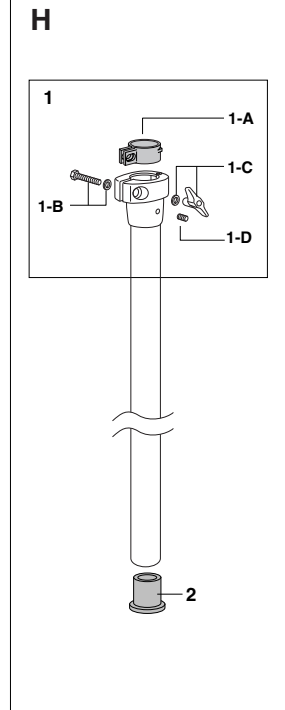
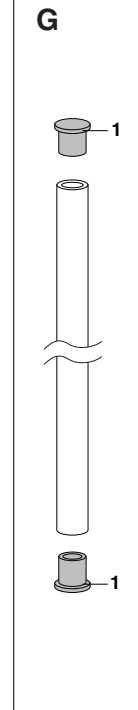
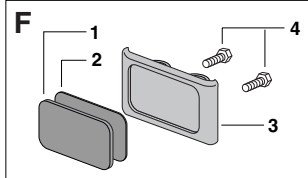
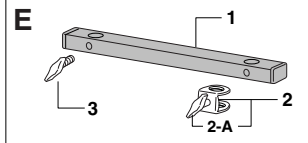
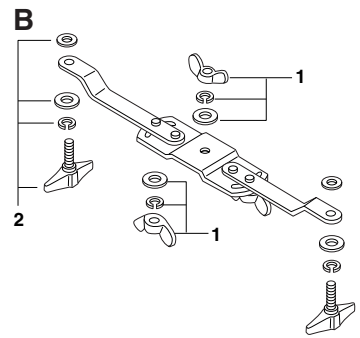
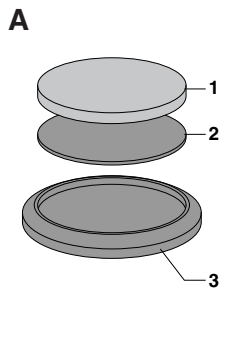
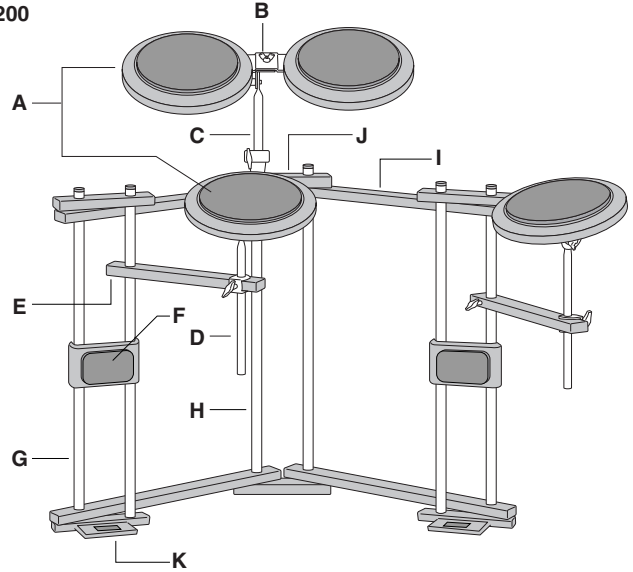
# PRACTICE KITS

## TK-100 / TK-200

TK-100



TK-200



- |          |                 |                                              |          |                |                                       |          |                 |                                      |
|----------|-----------------|----------------------------------------------|----------|----------------|---------------------------------------|----------|-----------------|--------------------------------------|
| <b>A</b> | <b>PAD-8</b>    | <b>Practice Pad Complete</b>                 | <b>F</b> | <b>PAD-8P</b>  | <b>Bass Drum Pad Assy. Complete</b>   | <b>I</b> | <b>PP-159AA</b> | <b>Connecting Bar Assy. Complete</b> |
| 1        | NP-202          | Rubber Pad                                   | 1        | NP-211         | Rubber Pad                            | 1        | PP-159A         | Connecting Bar w/Steel Bushings      |
| 2        | NP-202N         | Rubber Cushion                               | 2        | NP-211N        | Rubber Cushion                        | 2        | SC-262          | Hexagonal Bolt (one each)            |
| 3        | NP-203          | Base                                         | 3        | NP-205         | Base                                  | <b>J</b> | <b>PP-161AA</b> | <b>Connecting Bar Assy. Complete</b> |
| <b>B</b> | <b>TKM-10A</b>  | <b>Twin Pad Receiver Assy. Complete</b>      | 4        | SC-262         | Hexagonal Bolt (one each)             | 1        | PP-161A         | Connecting Bar w/Steel Bushings      |
| 1        | M-8K            | Die-Cast Wing Nut w/Washers (one set)        | <b>G</b> | <b>PP-34A</b>  | <b>Connecting Tube Assy. Complete</b> | 2        | SC-262          | Hexagonal Bolt (one each)            |
| 2        | M-820TK         | Die-Cast Wing Bolt w/Washers (one set)       | 1        | NP-164         | Plastic End Cap (one each)            | <b>K</b> | <b>PP-162AA</b> | <b>Pedal Clamp Assy. Complete</b>    |
| <b>C</b> | <b>TKM-10S</b>  | <b>Twin Pad Mounting Tube Assy. Complete</b> | <b>H</b> | <b>PP-162A</b> | <b>Center Tube Assy. Complete</b>     | 1        | PP-162A         | Pedal Clamp w/Rubber Protector       |
| 1        | SN-6TK          | Clamp Bolt Set                               | 1        | DJ-50A         | Die-Cast Joint Assy. Complete         | 1-A      | NP-140          | Rubber Protector                     |
| <b>D</b> | <b>TKP-10S</b>  | <b>Pad Holder Assy. Complete</b>             | 1-A      | NB-5N          | Nylon Bushing                         | 2        | SC-262          | Hexagonal Bolt (one each)            |
| 1        | SN-6TK          | Clamp Bolt Set                               | 1-B      | SN-635         | Clamp Bolt w/Nylon Washer             |          |                 |                                      |
| <b>E</b> | <b>PP-160AA</b> | <b>Pad Mounting Bar Assy. Complete</b>       | 1-C      | M-6N           | Die-Cast Wing Nut w/Washer            |          |                 |                                      |
| 1        | PP-160A         | Pad Mounting Bar w/Steel Bushings            | 1-D      | SB-44          | Allen Screw                           |          |                 |                                      |
| 2        | TKM-68          | Tube Bracket Assy.                           | 2        | NP-164         | Plastic End Cap                       |          |                 |                                      |
| 2-A      | M-815N          | Die-Cast Wing Bolt                           |          |                |                                       |          |                 |                                      |
| 3        | M-815N          | Die-Cast Wing Bolt                           |          |                |                                       |          |                 |                                      |