

PEARL DRUMS

Spare Parts Catalog

2016

CONTENTS

DRUM PEDALS	1~11
HI-HAT STANDS	12~15
REMOTE HI-HAT	17
HI-HAT ACCESSORIES	18
ACCESSORIES	19
SNARE STANDS	20~21
DRUM THRONES	22~25
CYMBAL STANDS	26~27
CYMBAL BOOM STANDS	28~30
CYMBAL HOLDERS	31~32
ADAPTERS	33
TOM HOLDERS	34
TOM STANDS	35
TOM CYMBAL STANDS	36
DRUM RACKS, PIPE CLAMPS, RACK JOINT	37~38
OPTIMOUNT, OPTI-LOC	39
TOM HOLDER BASES, BRACKETS	40
BASS DRUM SPURS	41
FLOOR TOM LEG BRACKETS & LEGS	42
STOP LOCKS, SNARE WIRES	43
HOOPS	44
STRAINERS	45~46
LUGS	47~48
BOLTS, TENSION CLAWS	48
F.F.S. SNARE DRUM	49
PRACTICE PADS	50

The Pearl logo is written in a stylized, cursive script font. The word "Pearl" is written in a dark color, and a registered trademark symbol (®) is located at the end of the word.

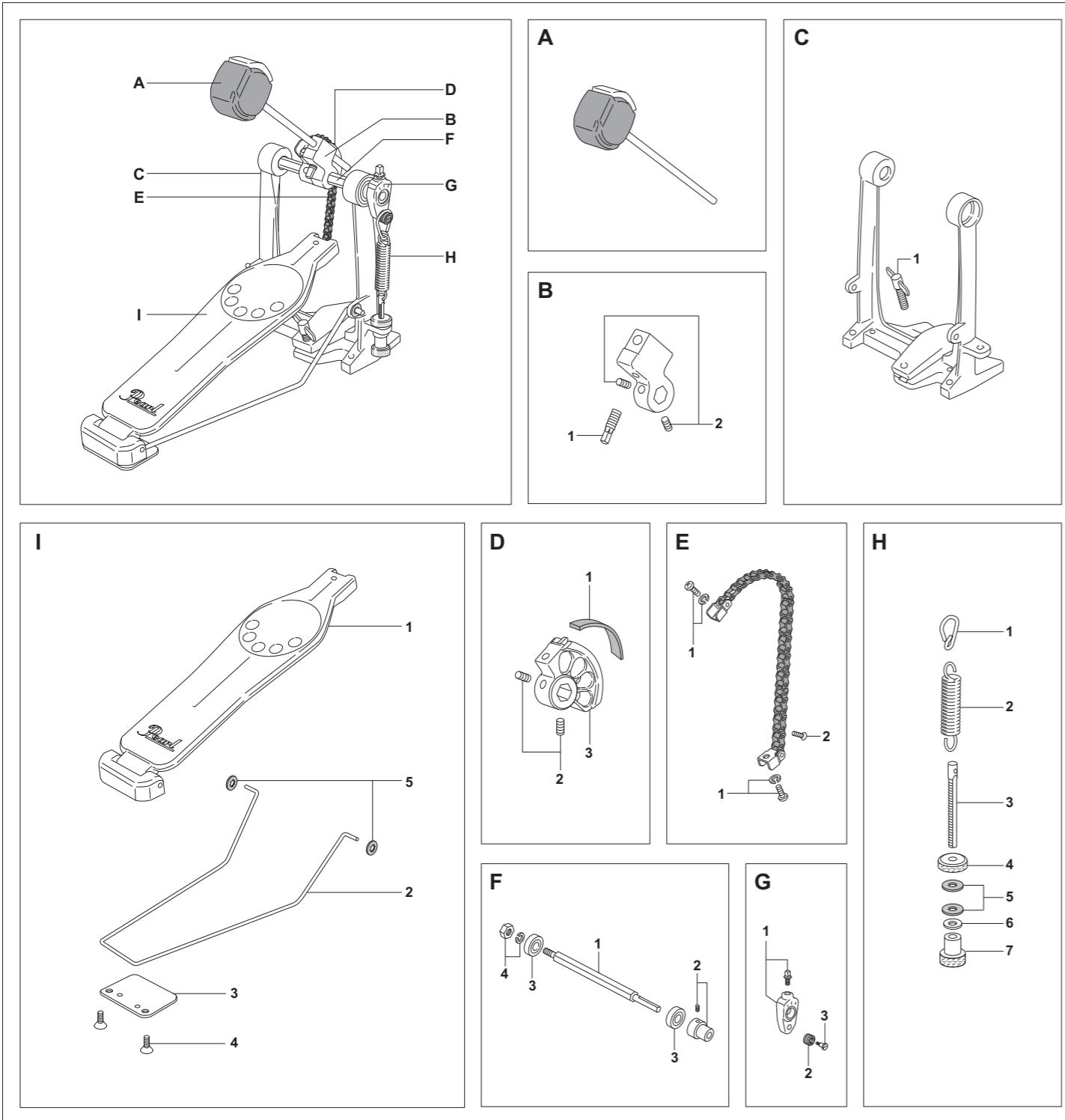
www.pearldrums.com

Products and specifications are subject to change without notice.

Oct 2016.

DRUM PEDALS

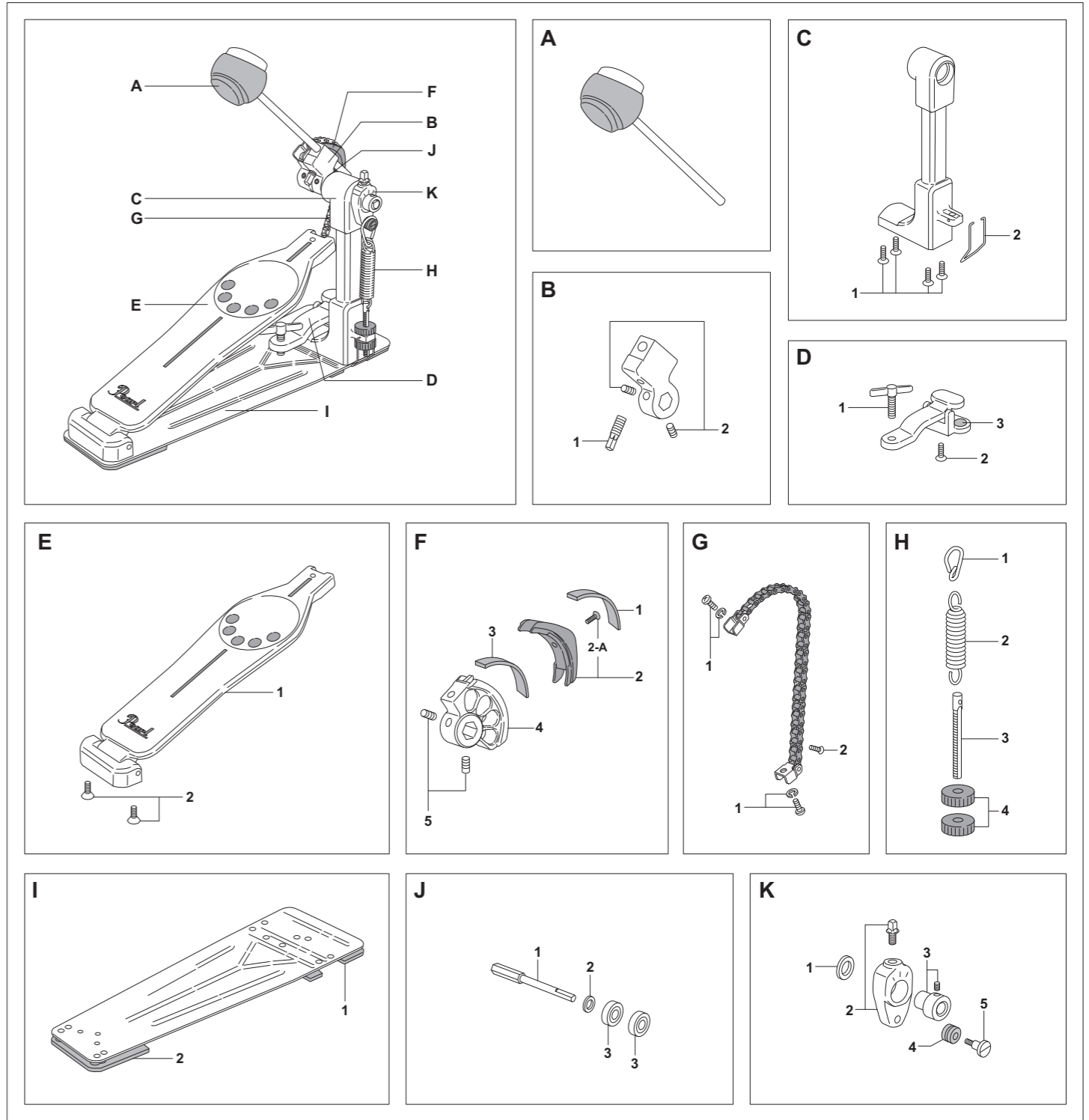
P-830



- | | | |
|---|---|--|
| A DB-100 "DuoBeat" 2 Way Beater | F SM-077AC Hexagonal Axle Assy.
1 SM-077 Hexagonal Axle ONLY
2 SM-029AN Axle Sleeve w/Allen Screw
3 NU-07B Bearing (one each)
4 BSA-3 End Nut w/Washer | H SPA-90A Spring Assy. Complete
1 SCH-01 Hook
2 SP-31F Spring (w/Felt) ONLY
3 ME-166 Adjustment Bolt
4 SM-032 Upper Nut
5 RB-005 Washers (one each)
6 WS-27 Lock Washer
7 SM-033 Lower Nut |
| B AD-022A Beater Holder Link Complete
1 KB-814 Key Bolt
2 SB-66 Allen Screw (one each) | G ZD-037AC Beater Angle Cam Complete
1 ZD-037A Beater Angle Cam w/Key Bolt
2 PM-003 Cam Roller
3 ME-170B Cam Bolt | I FB-930UA Footboard Assy. Complete
1 FB-930U Footboard ONLY
2 RR-83 Radius Rod
3 STL-2 Radius Rod Cover
4 SC-366SC Screw (one each)
5 WS-50 Push Nut (Radius Rod Stopper) (one each) |
| C PF-P89A Pedal Frame w/Hoop Clamp
1 ME-69 Handle Bolt | D AD-021AA Aluminum Wheel Assy. Complete
1 FL-002 Felt Strip
2 SB-66 Allen Screw (one each)
3 AD-021 Aluminum Wheel ONLY | |
| E ME-805A Connecting Chain Assy. Complete
1 SC-468W Screw w/Washer (one set)
2 SC-327H Flat Head Screw | F ZD-037A Beater Angle Cam w/Key Bolt
2 PM-003 Cam Roller
3 ME-170B Cam Bolt | |

DRUM PEDALS

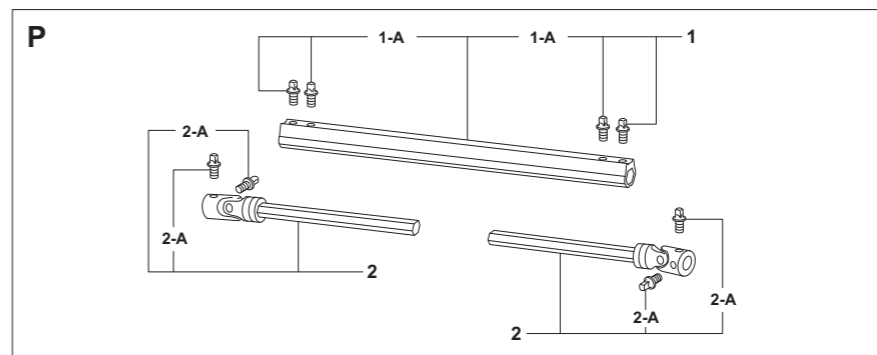
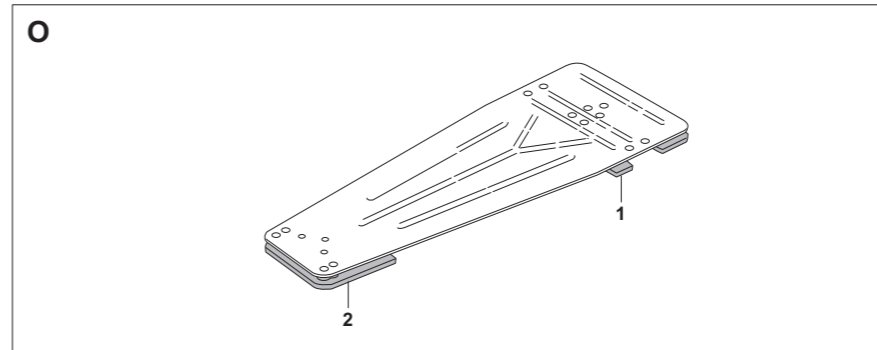
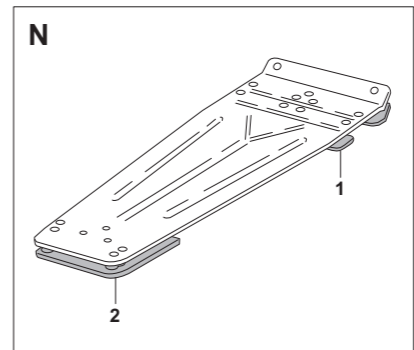
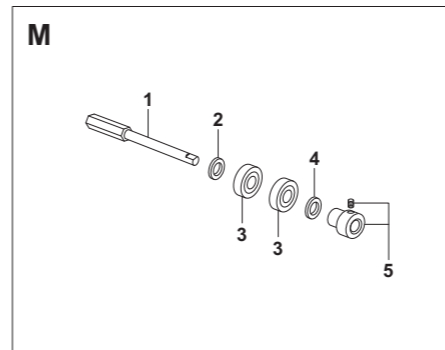
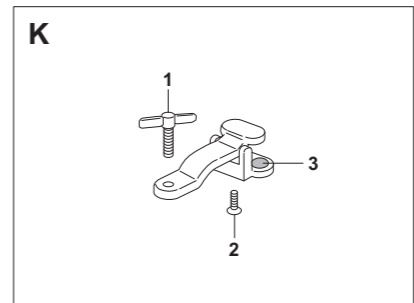
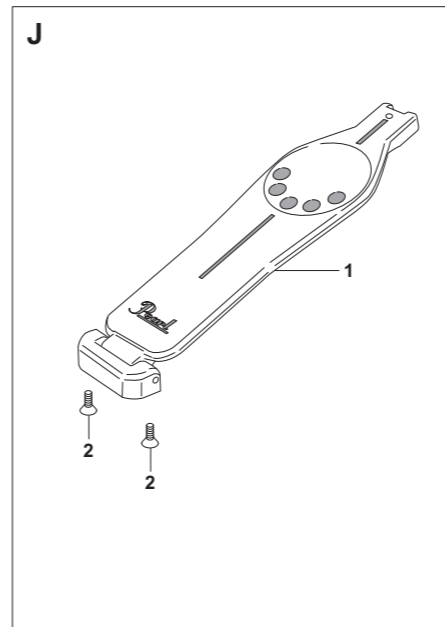
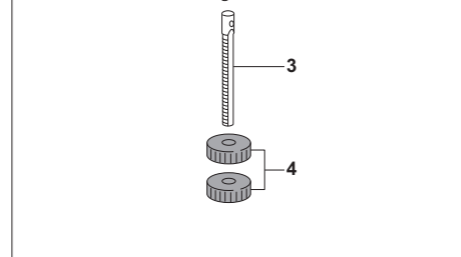
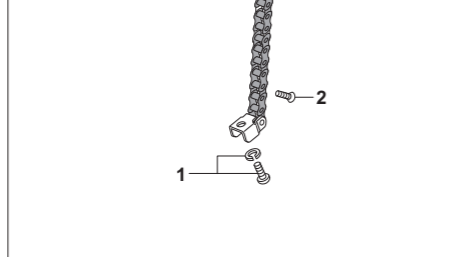
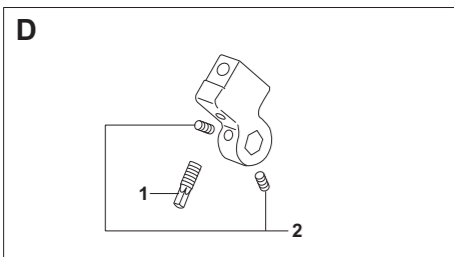
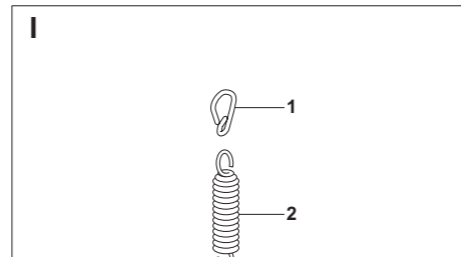
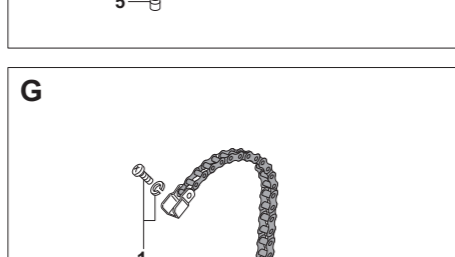
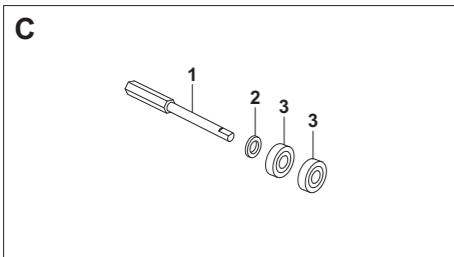
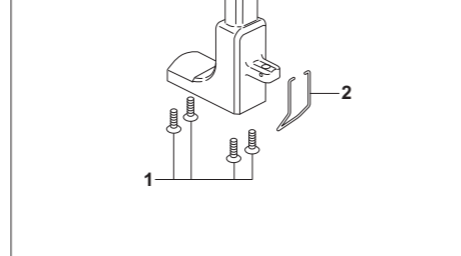
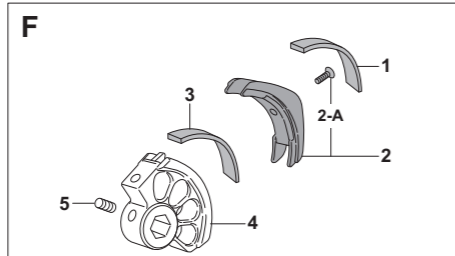
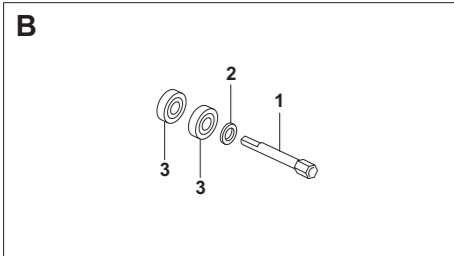
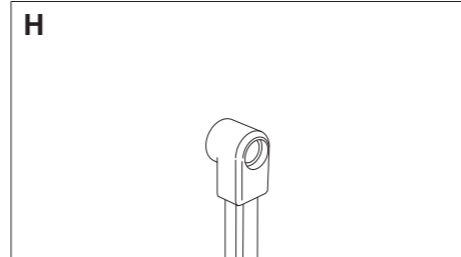
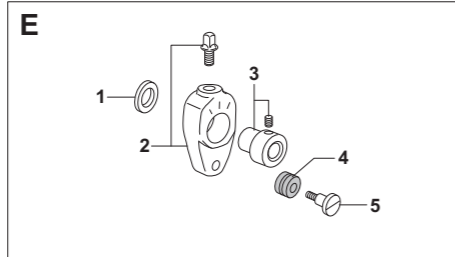
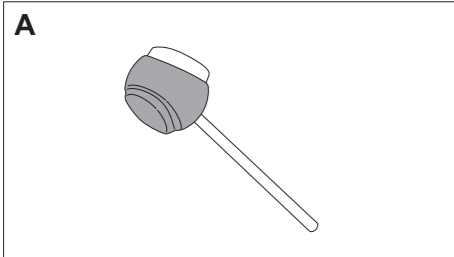
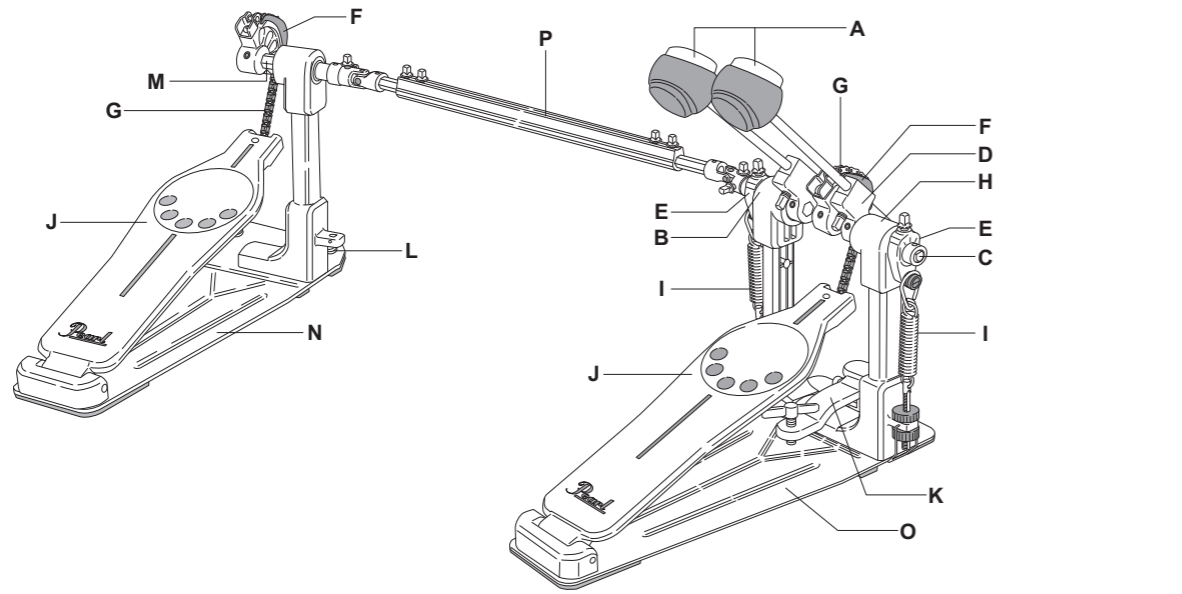
P-930



- | | | |
|---|--|--|
| A DB-150 DuoBeat Beater | F AD-021A Aluminum Wheel Assy. Complete
1 FL-003 Felt Strip
2 PL-041A Detachable Cam w/Screw
2-A SC-385 Screw
3 FL-002 Felt Strip
4 AD-021 Aluminum Wheel ONLY
5 SB-66 Allen Screw (one each) | I PWP-930A Powerplate Assy. Complete
1 RB-012 Rubber Mat (Front)
2 RB-013 Rubber Mat (Heel) |
| B AD-022A Beater Holder Link Complete
1 KB-814 Key Bolt
2 SB-66 Allen Screw (one each) | G ME-805A Connecting Chain Assy. Complete
1 SC-468W Screw w/Washer (one set)
2 SC-327H Flat Head Screw | J SM-063A Hexagonal Axle Assy.
1 SM-063 Hexagonal Axle ONLY
2 WS-49 Washer
3 NU-07B Bearing (one each) |
| C AD-020AH Pedal Post
1 SC-366SC Screw (one each)
2 SG-014 Click Lock Lever | H SPA-930 Spring Assy. Complete
1 SCH-01 Hook
2 SP-64F Spring (w/Felt) ONLY
3 ME-166 Adjustment Bolt
4 NP-470 Nut (one each) | K ZD-037ACC Beater Angle Cam Complete
1 WS-43 Washer
2 ZD-037A Beater Angle Cam w/Key Bolt
3 SM-029AN Axle Sleeve w/Allen Screw
4 PM-003 Cam Roller
5 ME-170B Cam Bolt |
| D AD-023NA Hoop Clamp Assy.
1 ME-808 Handle Bolt
2 SC-366SC Screw
3 RB-014 Rubber Grip (one each) | I FB-930A Footboard Assy. Complete
1 FB-930 Footboard ONLY
2 SC-418 Screw (one each) | |

DRUM PEDALS

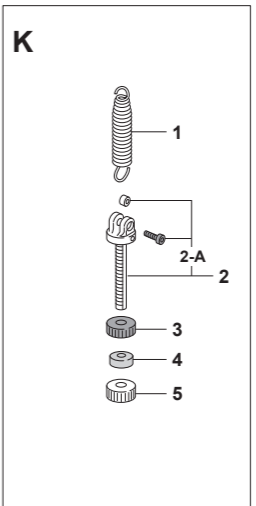
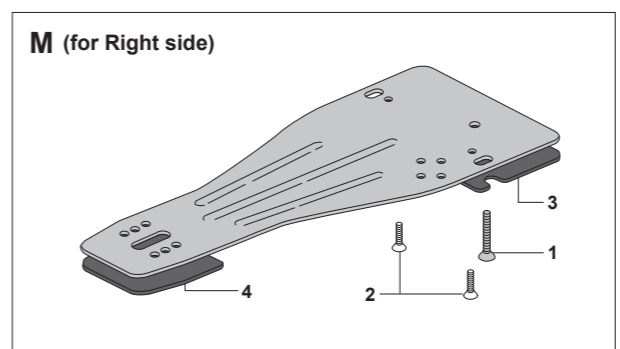
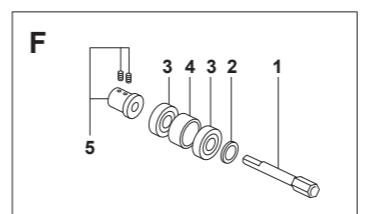
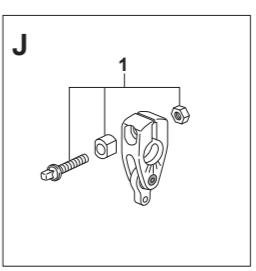
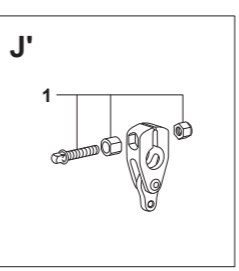
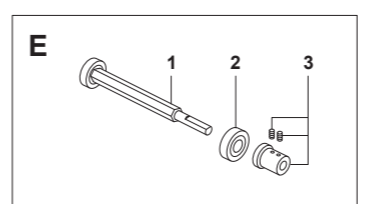
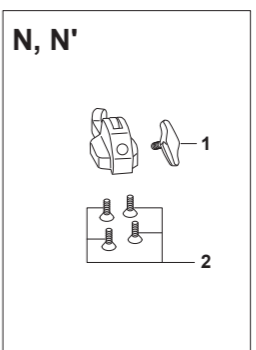
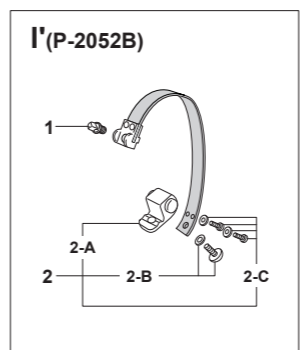
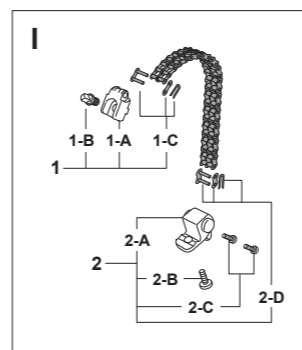
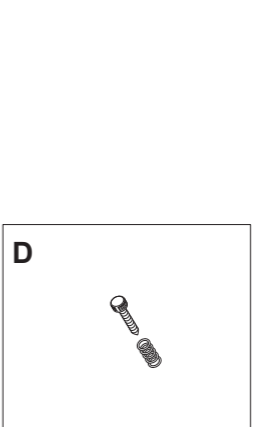
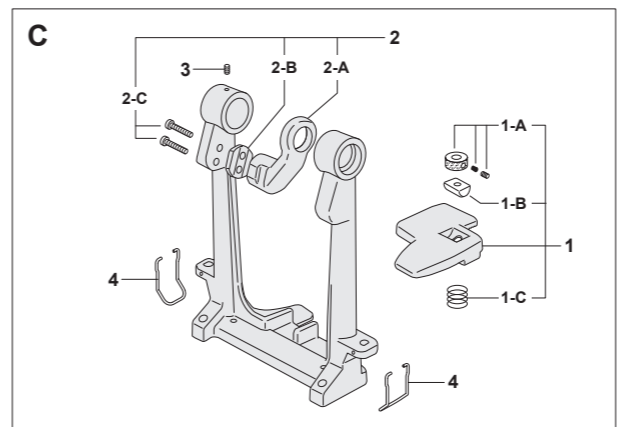
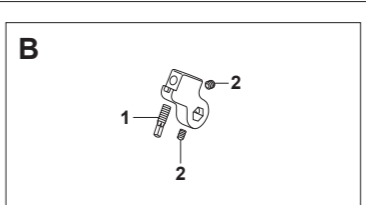
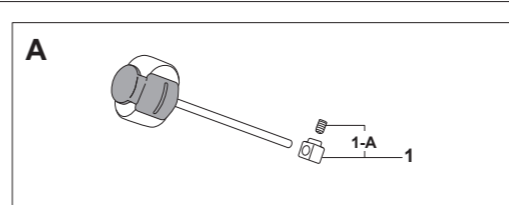
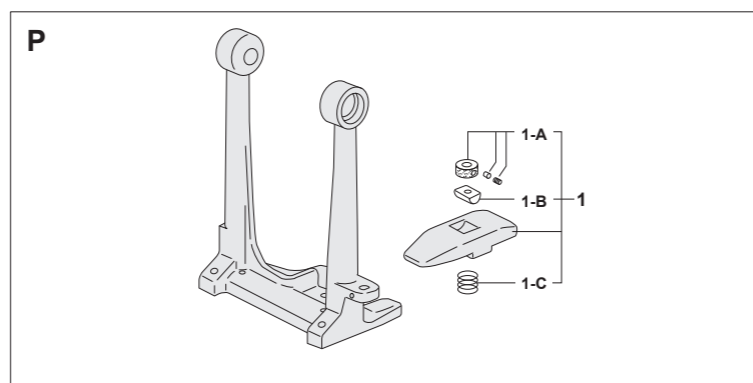
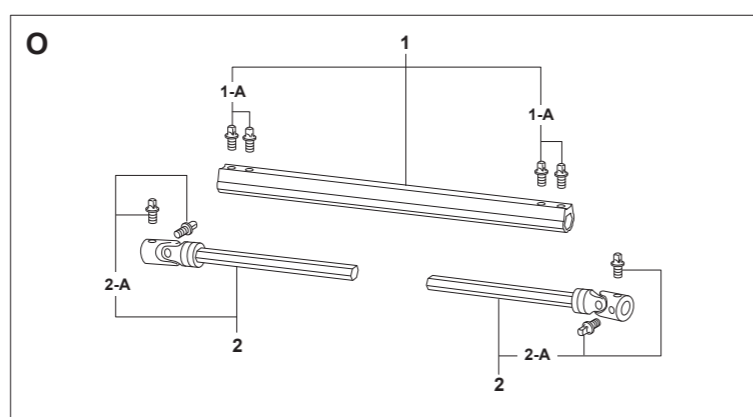
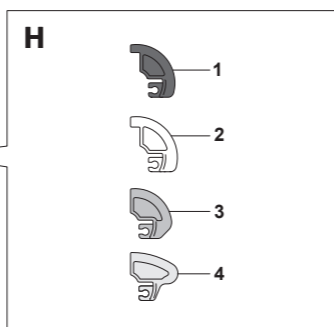
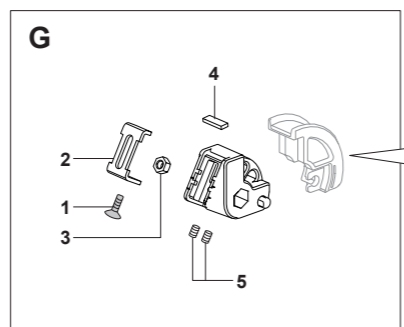
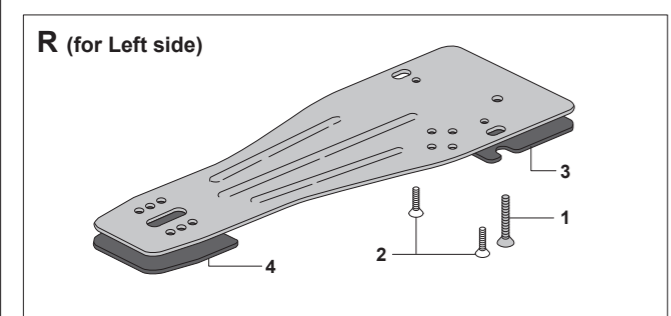
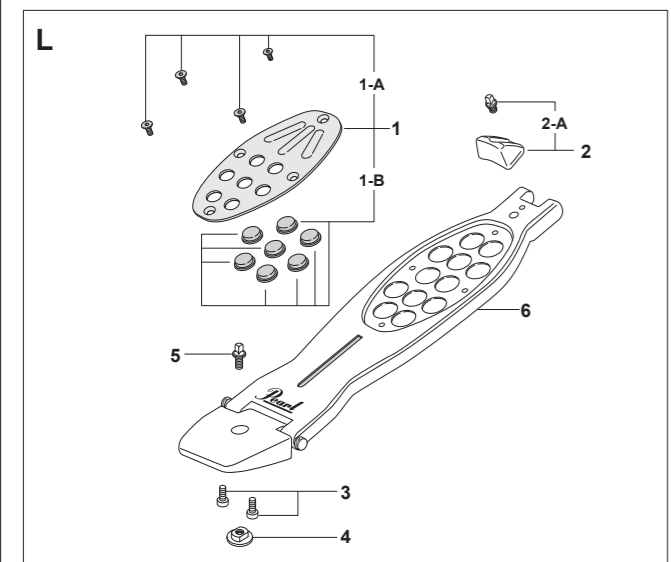
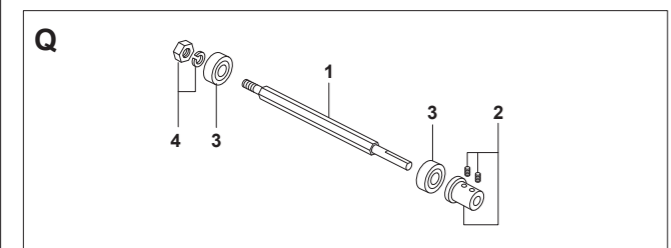
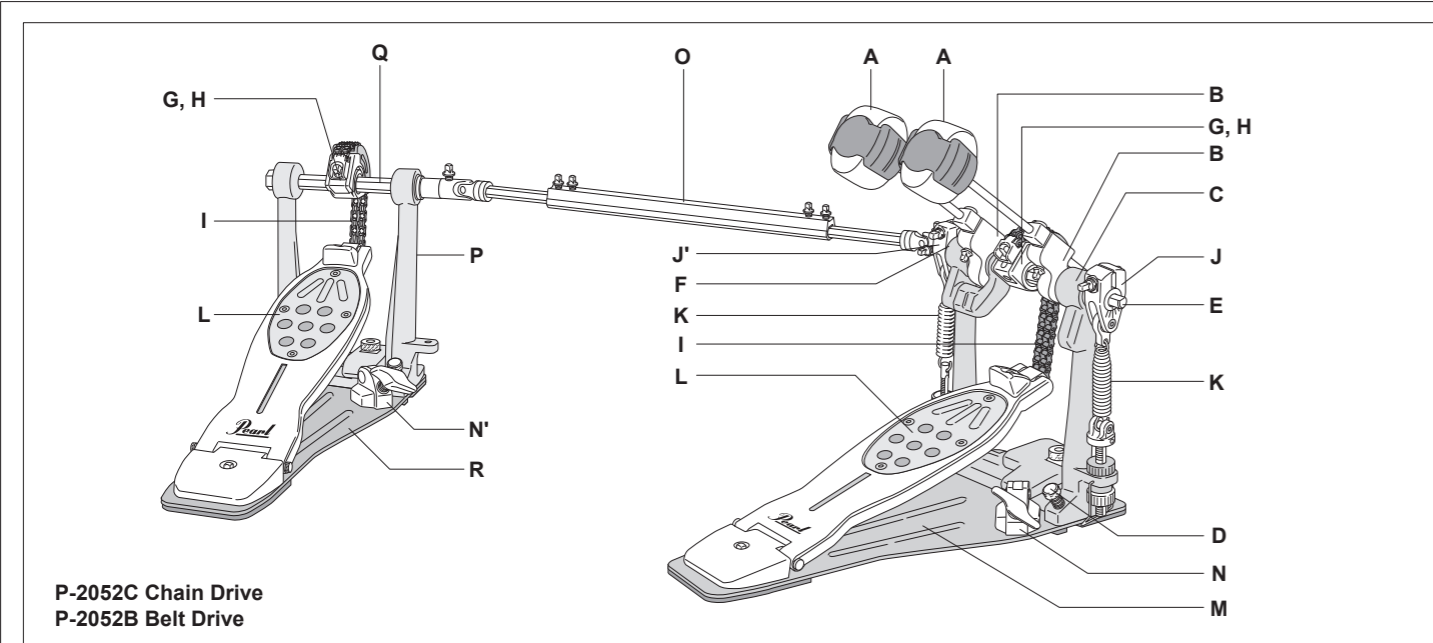
P-932



- A DB-150 DuoBeat Beater**
- B SM-065A Hexagonal Axle Assy.**
- 1 SM-065 Hexagonal Axle ONLY
- 2 WS-49 Washer
- 3 NU-07B Bearing (one each)
- C SM-064A Hexagonal Axle Assy.**
- 1 SM-064 Hexagonal Axle ONLY
- 2 WS-49 Washer
- 3 NU-07B Bearing (one each)
- D AD-022A Beater Holder Link Complete**
- 1 KB-814 Key Bolt
- 2 SB-66 Allen Screw (one each)
- E ZD-037ACC Beater Angle Cam Complete**
- 1 WS-43 Washer
- 2 ZD-037A Beater Angle Cam w/Key Bolt
- 3 SM-029AN Axle Sleeve w/Allen Screw
- 4 PM-003 Cam Roller
- 5 ME-170B Cam Bolt
- F AD-021A Aluminum Wheel Assy. Complete**
- 1 FL-003 Felt Strip
- 2 PL-041A Detachable Cam w/Screw
- 3 SC-385 Screw
- 4 FL-002 Felt Strip
- 5 AD-021 Aluminum Wheel ONLY
- SB-66 Allen Screw (one each)
- G ME-805A Connecting Chain Assy. Complete**
- 1 SC-468W Screw w/Washer (one set)
- 2 SC-327H Flat Head Screw
- H AD-020AH Pedal Post**
- 1 SC-366SC Screw (one each)
- 2 SG-014 Click Lock Lever
- I SPA-930 Spring Assy. Complete**
- 1 SCH-01 Hook
- 2 SG-014 Spring (w/Felt) ONLY
- 3 ME-166 Adjustment Bolt
- 4 NP-470 Nut (one each)
- J FB-930A Footboard Assy. Complete**
- 1 FB-930 Footboard ONLY
- 2 SC-418 Screw (one each)
- K AD-023NA Hoop Clamp Assy.**
- 1 ME-808 Handle Bolt
- 2 SC-366SC Screw
- 3 RB-014 Rubber Grip (one each)
- L LT-626W Anchor Screw w/Spring & Washer (one set)**
- M SM-063AC Hexagonal Axle Assy.**
- 1 SM-063 Hexagonal Axle ONLY
- 2 WS-49 Washer
- 3 NU-07B Bearing (one each)
- 4 WS-43 Washer
- 5 SM-029AN Axle Sleeve w/Allen Screw
- N PWP-932SA Powerplate Assy. Complete (Left side)**
- 1 RB-012 Rubber Mat (Front)
- 2 RB-013 Rubber Mat (Heel)
- O PWP-932MA Powerplate Assy. Complete (Right side)**
- 1 RB-011 Rubber Mat (Front)
- 2 RB-013 Rubber Mat (Heel)
- P DS-230A Drive Shaft Assy. Complete**
- 1 SP-604A Drive Shaft Sleeve w/Key Bolts
- 1-A KB-608D Key Bolt (one each)
- 2 HS-230A Hexagonal Drive Shaft w/Key Bolts (one set)
- 2-A KB-508D Key Bolt (one each)

DRUM PEDALS

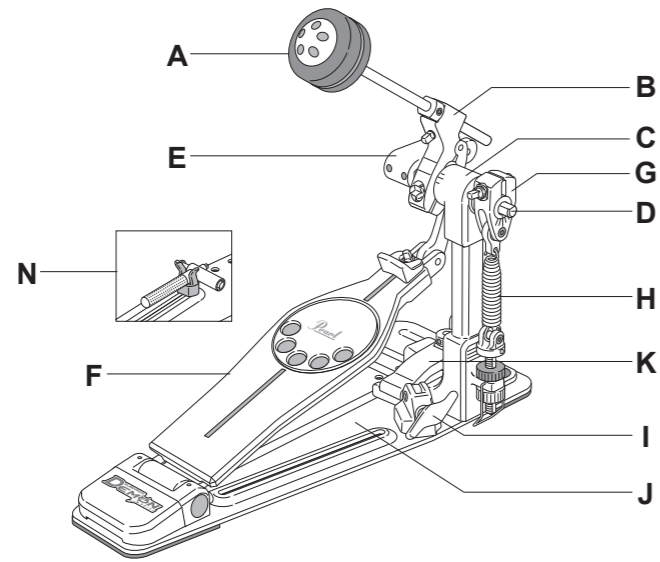
P-2052C / 2052B



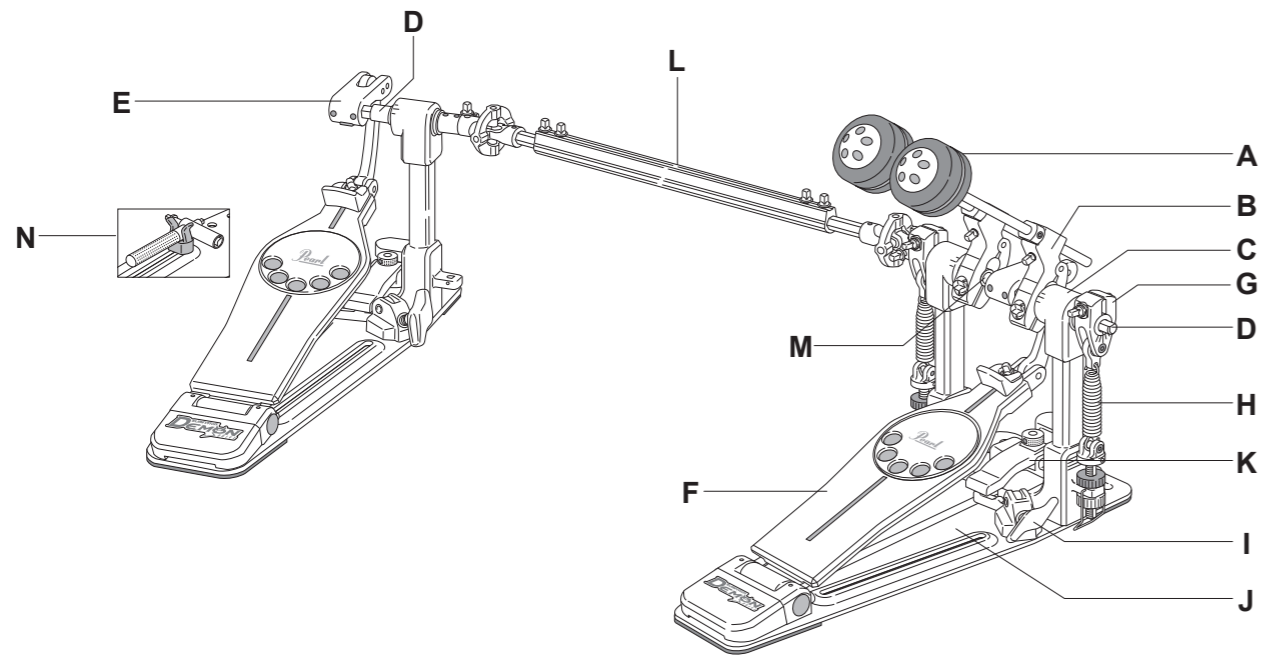
- | | | |
|-----------|------------------|--|
| A | B-250QB | Quad Beater Complete |
| 1 | AD-044A | Beater Setting Stopper Assy. |
| 1-A | SB-66 | Allen Screw |
| B | AD-035A | Beater Holder Link Complete |
| 1 | KB-814 | Key Bolt |
| 2 | SB-66 | Allen Screw (one each) |
| C | DC-515VA | Pedal Frame w/Hoop Clamp |
| 1 | DC-517VCA | Hoop Clamp Assy. |
| 1-A | SM-119A | Adjustment Knob Assy. |
| 1-B | ME-507 | Pivot Block |
| 1-C | SG-001 | Spring |
| 2 | DC-516VA | Axle Support Arm Assy. Comp |
| 2-A | DC-516V | Axle Support Arm |
| 2-B | DC-314V | Axle Support Arm Spacer |
| 2-C | SC-222 | Screw (one each) |
| 3 | SB-44 | Allen Screw |
| 4 | SP-82 | Click Lock Lever (one each) |
| D | LT-636 | Anchor Screw w/Spring |
| E | SM-114A | Hexagonal Axle Assy. |
| 1 | SM-114B | Hexagonal Axle w/Bearing |
| 2 | BE-004 | NiNJA Bearing (one each) |
| 3 | ME-741A | Axle Sleeve w/Allen Screws |
| F | SM-113A | Hexagonal Axle Assy. |
| 1 | SM-113 | Hexagonal Axle ONLY |
| 2 | WS-49 | Washer |
| 3 | BE-004 | NiNJA Bearing (one each) |
| 4 | ME-506 | Bearing Spacer |
| 5 | ME-741A | Axle Sleeve w/Allen Screws |
| G | AD-034A | Aluminum Wheel Assy. Complete |
| 1 | SC-327H | Flat-Head Screw |
| 2 | PR-546 | Slider Bracket |
| 3 | NU-10 | Hexagonal Nut |
| 4 | FE-40C | Felt |
| 5 | SB-66 | Allen Screw (one each) |
| H | | Interchangeable Cam |
| 1 | CAMT-BK | Black Cam |
| 2 | CAMT-WT | White Cam |
| 3 | CAMT-BL | Blue Cam |
| 4 | CAMT-RD | Red Cam |
| I | CCA-5 | Double Chain Assy. Complete / P-2052C |
| 1 | DC-511AA | Chain Connecting Bracket Assy. (Top) |
| 1-A | DC-511A | Chain Connecting Bracket ONLY (Top) |
| 1-B | KB-508 | Key Bolt |
| 1-C | ME-244 | Chain End Connector Assy. |
| 2 | DC-511BA | Chain Connecting Bracket Assy. (Bottom) |
| 2-A | DC-511B | Chain Connecting Bracket ONLY (Bottom) |
| 2-B | SC-357 | Screw |
| 2-C | SC-284 | Screw (one each) |
| 2-D | ME-244 | Chain End Connector Assy. |
| I' | BCA-250 | Belt Assy. Complete / P-2052B |
| 1 | KB-512 | Key Bolt (long) |
| 2 | DC-510BA | End Connector Assy. (Bottom) |
| 2-A | DC-510B | End Connector ONLY |
| 2-B | SC-357W | Screw w/Washer |
| 2-C | SC-287W | Screw w/Washer (one each) |
| J | DC-714A | Uni-Lock Footboard Angle Cam Complete |
| 1 | KB-630DA | Bolt & Nut Set |
| J' | DC-714A | Uni-Lock Footboard Angle Cam Complete |
| 1 | KB-630DA | Bolt & Nut Set |
| K | SPA-64D | Spring Assy. Complete |
| 1 | SP-64NF | Spring (w/Felt) ONLY |
| 2 | DC-724A | Adjustment Bolt Assy. |
| 2-A | SC-259A | Bolt & Collar Set |
| 3 | NP-470 | Upper Nut |
| 4 | ME-792 | Spacer |
| 5 | DC-723 | Lower Nut |
| L | FB-2050A | Footboard Assy. Complete |
| 1 | AL-24GA | Traction Plate Assy. |
| 1-A | SC-363L | Mounting Screw (one each) |
| 1-B | NP-283RV | Traction Grip (one each) |
| 2 | DC-508A | Toe Stopper Assy. |
| 2-A | KB-508 | Key Bolt |
| 3 | SC-251 | Screw (one each) |
| 4 | ZD-041 | Heel Position Adjust Nut |
| 5 | KB-608 | Key Bolt |
| 6 | AD-032A | Footboard Assy. ONLY |
| M | PR-549A | Power Plate Assy. Complete (Right Side) |
| 1 | SC-325R | Screw |
| 2 | SC-149 | Screw (one each) |
| 3 | NP-284L | Rubber Mat (Front) |
| 4 | NP-285 | Rubber Mat (Heel) |
| N | DC-399W | Hoop Clamp Cam Assy. Complete |
| 1 | UGB-820C | Die-Cast Wing Bolt |
| 2 | SC-191BN | Screw (one each) |
| N' | DC-399S | Hoop Clamp Cam Assy. Complete |
| 1 | UGB-820C | Die-Cast Wing Bolt |
| 2 | SC-191BN | Screw (one each) |
| O | DS-230A | Drive Shaft Assy. Complete |
| 1 | SP-604A | Drive Shaft Sleeve w/Key Bolts |
| 1-A | KB-608D | Key Bolt (one each) |
| 2 | HS-230A | Hexagonal Drive Shaft w/Key Bolts (one set) |
| 2-A | KB-508D | Key Bolt (one each) |
| P | DC-513VA | Pedal Frame w/Hoop Clamp |
| 1 | DC-514VCA | Hoop Clamp Assy. |
| 1-A | SM-119A | Adjustment Knob Assy. |
| 1-B | ME-507 | Pivot Block |
| 1-C | SG-001 | Spring |
| Q | SM-028A | Hexagonal Axle Assy. |
| 1 | SM-028 | Hexagonal Axle ONLY |
| 2 | ME-741A | Axle Sleeve w/Allen Screws |
| 3 | BE-004 | NiNJA Bearing (one each) |
| 4 | BSA-3 | End Nut w/Washer |
| R | PWP-200SA | Power Plate Assy. Complete (Left Side) |
| 1 | SC-325R | Screw |
| 2 | SC-149 | Screw (one each) |
| 3 | NP-284S | Rubber Mat (Front) |
| 4 | NP-285 | Rubber Mat (Heel) |

DRUM PEDALS

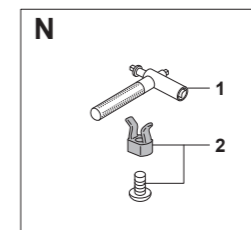
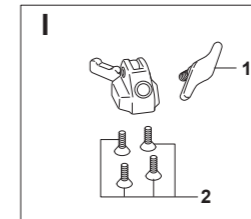
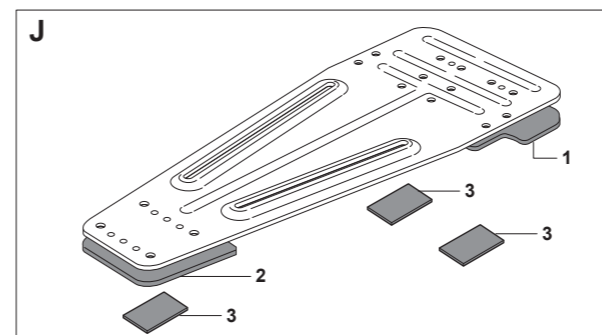
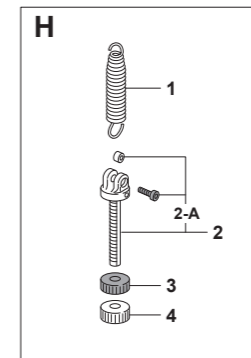
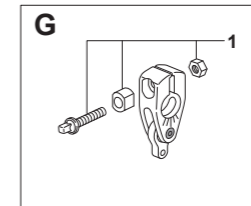
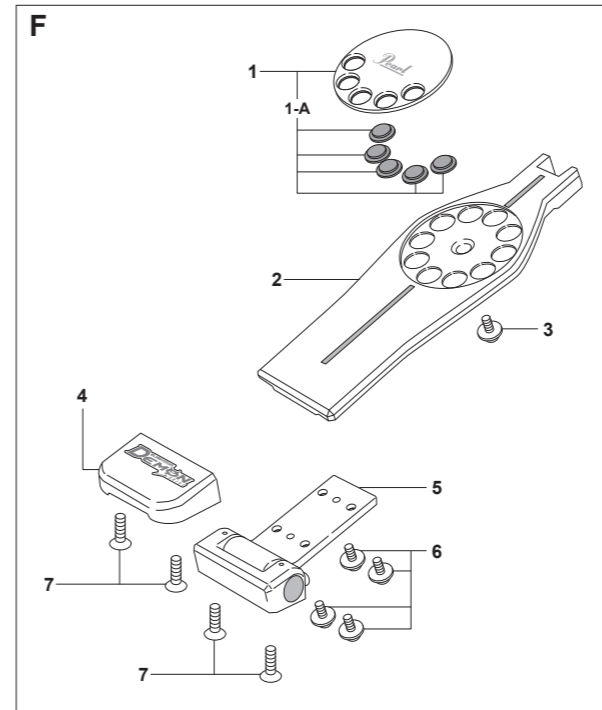
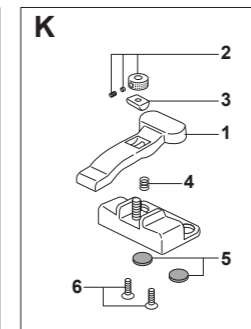
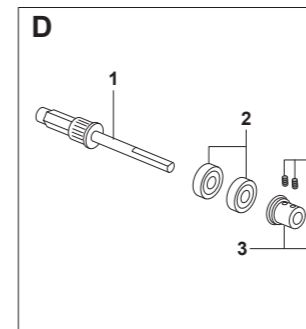
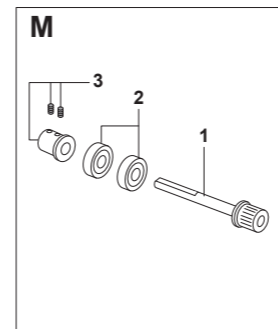
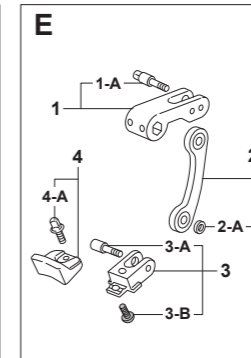
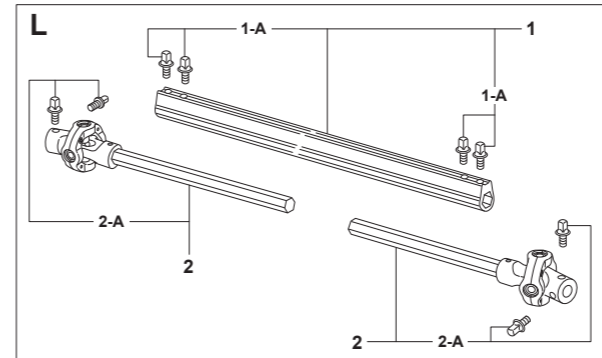
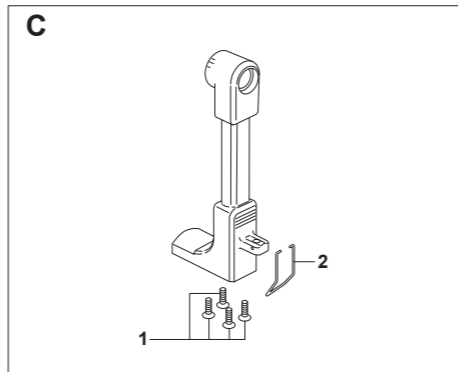
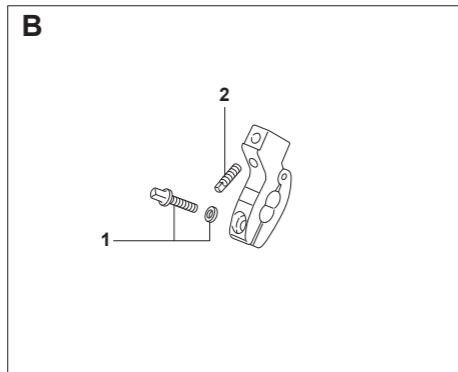
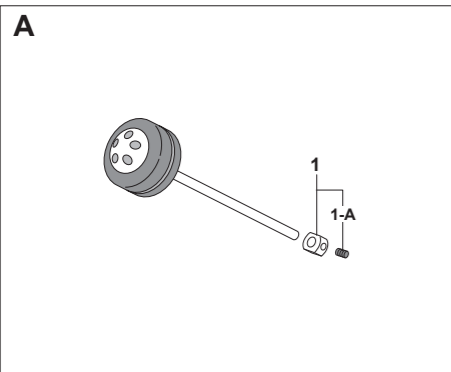
P-3000D / 3002D



P-3000D



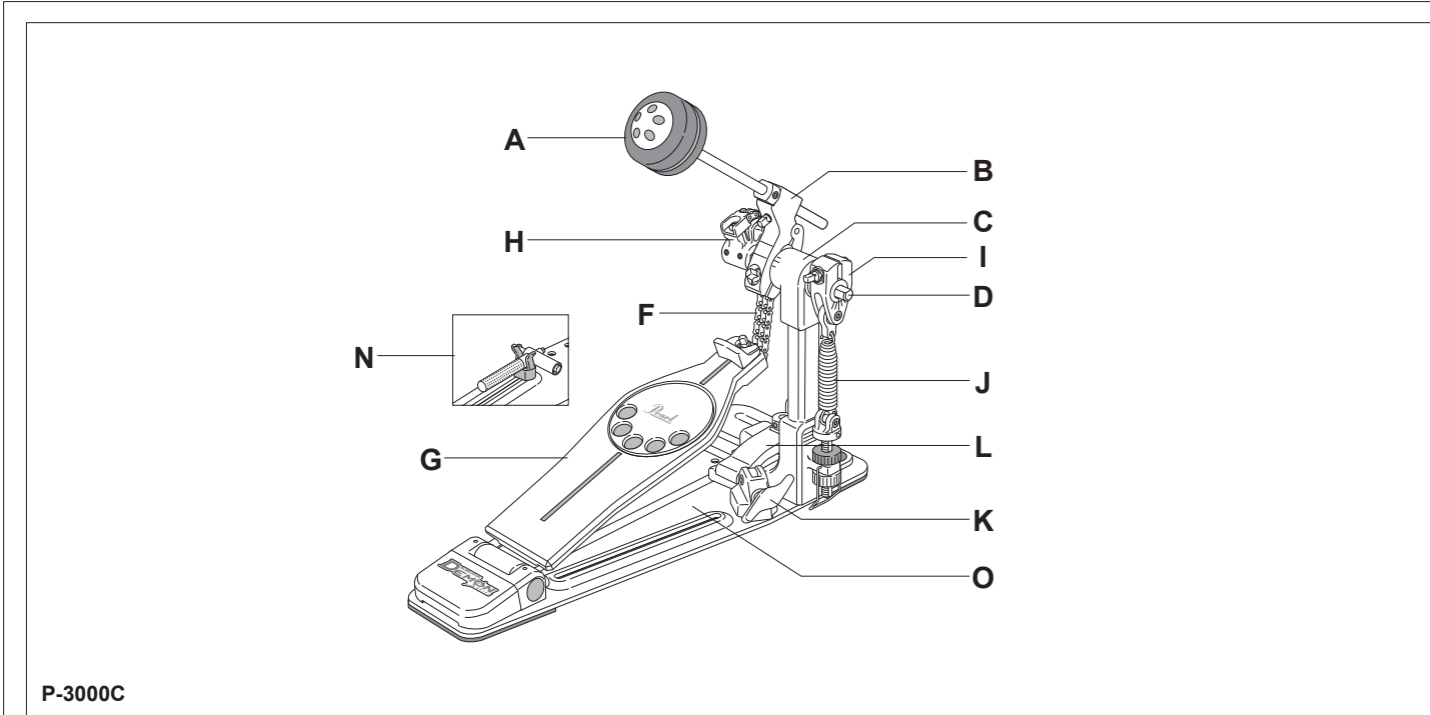
P-3002D



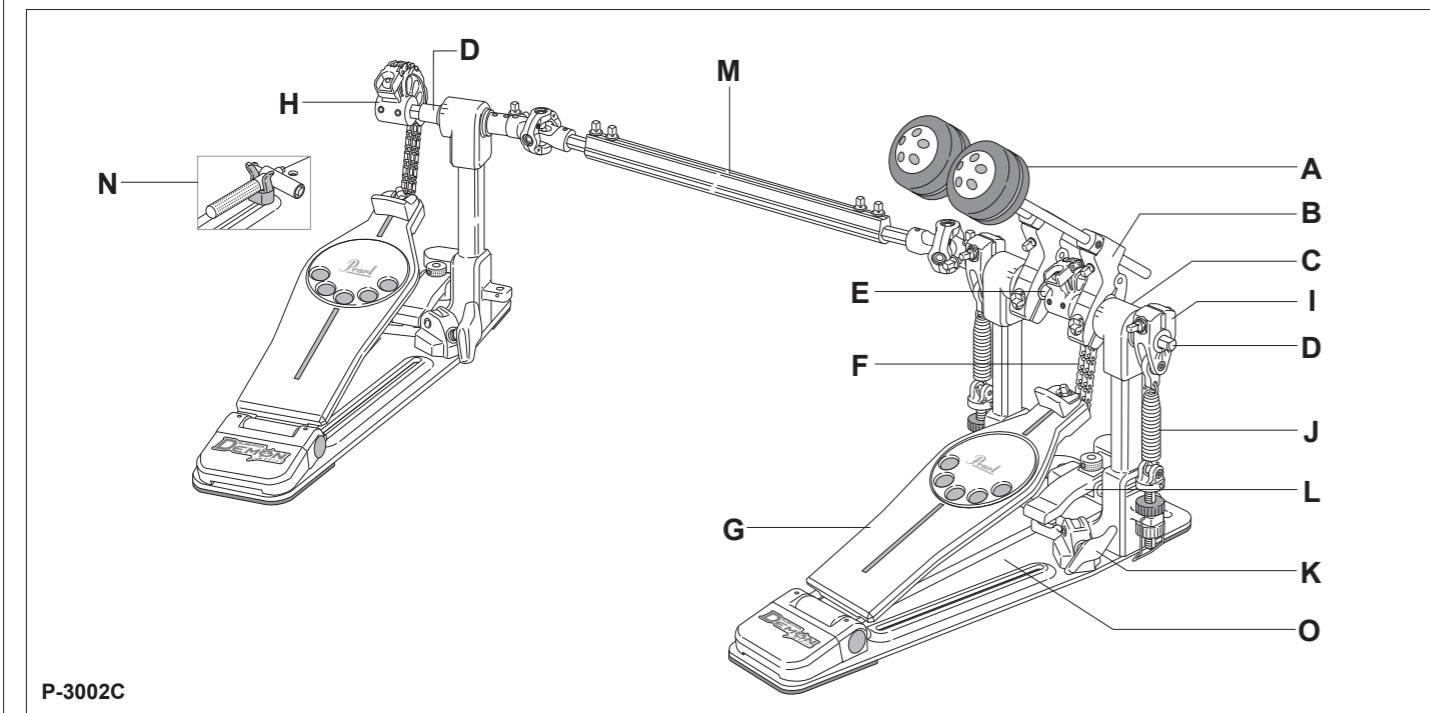
- A B-300F Control Core Felt Beater**
- B-300W Control Core Wood Beater (Option)**
- 1 ME-732A Beater Setting Stopper Assy.
- 1-A SB-65 Allen Screw
- B DC-717ULA Beater Holder Link Complete**
- 1 KB-623DW Key Bolt w/Washer
- 2 SC-415 Key Bolt
- C DC-716A Pedal Post**
- 1 SC-366SC Screw (one each)
- 2 SG-014 Click Lock Lever
- D SFT-DL Hexagonal Axle Shaft Assy.**
- 1 ME-738NA Hexagonal Axle ONLY
- 2 NU-48 NiNjA Bearing (one each)
- 3 ME-741A Axle Sleeve w/Allen Screws
- E DRL-300TSA Direct Link Assy. Complete**
- 1 DC-715UA Direct Link Connecting Bracket Assy. (Top)
- 1-A ME-731UNN Key Bolt
- 2 DC-715LA Direct Link Connecting Bar
- 2-A ME-729 Spacer
- 3 DC-709NA Direct Link Connecting Bracket Assy. (Bottom)
- 3-A ME-731L Bolt
- 3-B SC-357 Screw
- 4 DC-746A Toe Stopper Assy.
- 4-A KB-508 Key Bolt
- F FB-300A Footboard Assy. Complete**
- 1 DC-721A Traction Plate Assy.
- 1-A ME-728 Traction Grip (one each)
- 2 DC-722 Footboard ONLY
- 3 SC-421W Screw w/Washers
- 4 DC-720BAD Heel Plate w/Logo Plate
- 5 DC-720FA Hinge Assy.
- 6 SC-421W Screw w/Washers (one each)
- 7 SC-418 Screw (one each)
- G DC-714A Uni-Lock Footboard Angle Cam Complete**
- 1 KB-630DA Bolt & Nut Set
- H SPA-64D Spring Assy. Complete**
- 1 SP-64NF Spring (w/Felt) ONLY
- 2 DC-724A Adjustment Bolt Assy.
- 2-A SC-259A Bolt & Collar Set
- 3 NP-470 Upper Nut
- 4 DC-723 Lower Nut
- I DC-399D Hoop Clamp Lever Assy.**
- 1 UGB-820C Die-Cast Wing Bolt
- 2 SC-367SC Flat-Head Screw (one each)
- J PR-672A Bottom Plate**
- 1 NP-467A Rubber Mat w/Adhesive Tape (Front)
- 2 NP-468A Rubber Mat w/Adhesive Tape (Heel)
- 3 NP-474 Velcro Tape (one each)
- K DC-719A Hoop Clamp Assy.**
- 1 DC-718A Hoop Clamp Bar w/Rubber Grip
- 2 SM-119A Adjustment Knob Assy.
- 3 ME-507 Pivot Block
- 4 SP-77 Spring
- 5 NP-464 Rubber Grip (one each)
- 6 SC-366SC Flat-Head Screw (one each)
- L DS-300A Drive Shaft Assy. Complete**
- 1 SP-65D Drive Shaft Sleeve w/Key Bolts
- 1-A KB-608D Key Bolt (one each)
- 2 SP-602CCA Hexagonal Drive Shaft w/Key Bolts (one set)
- 2-A KB-508D Key Bolt (one each)
- M SFT-DS Axle Shaft Assy.**
- 1 ME-739NA Axle Shaft ONLY
- 2 NU-48 NiNjA Bearing (one each)
- 3 ME-741A Axle Sleeve w/Allen Screws
- N KMF-300A Multi Function Drum Key Dock Assy.**
- 1 KMF-300 Multi Function Drum Key ONLY
- 2 NP-469A Docking Assy.

DRUM PEDALS

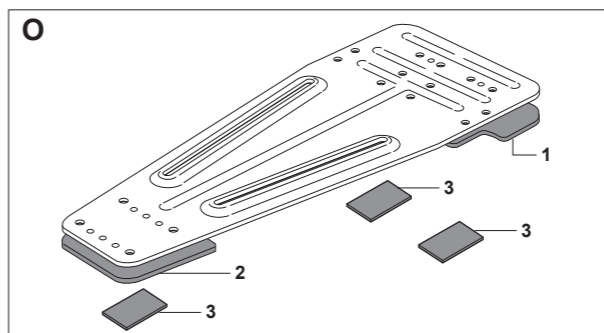
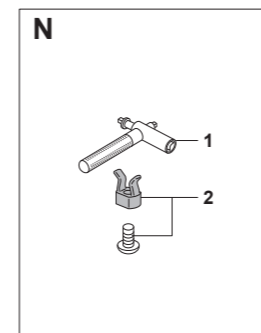
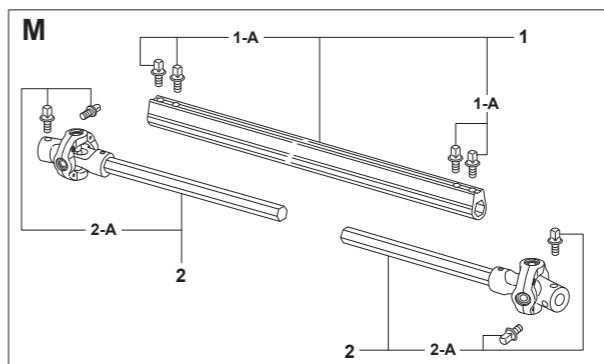
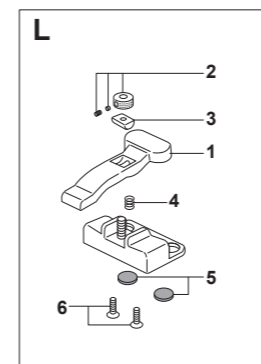
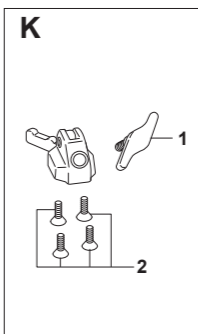
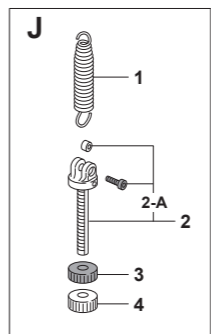
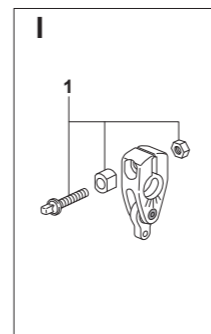
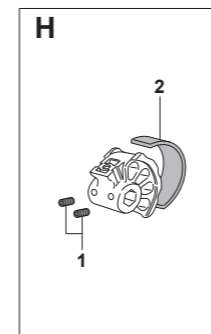
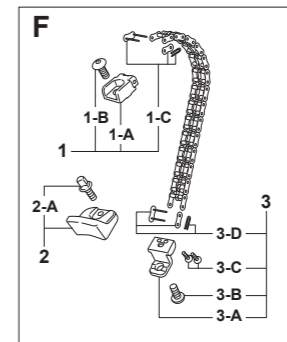
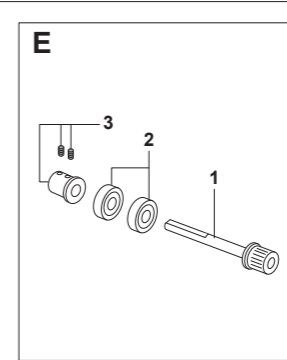
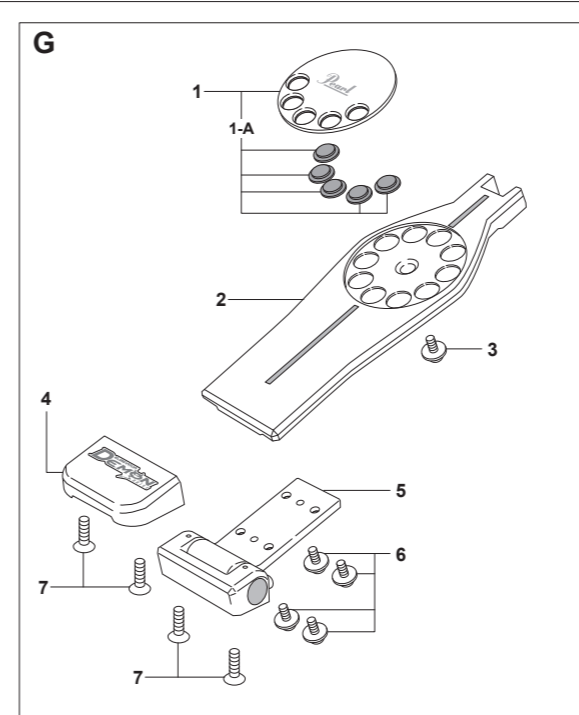
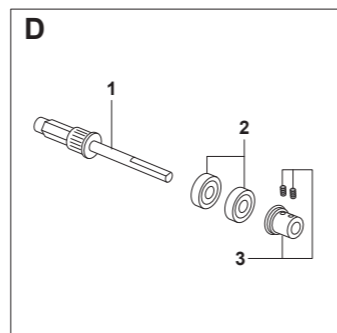
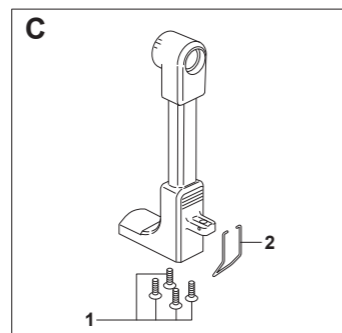
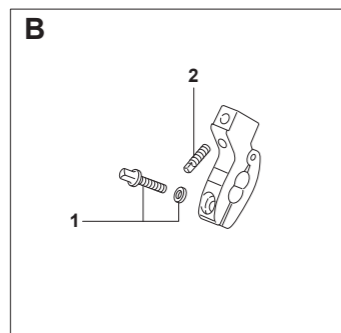
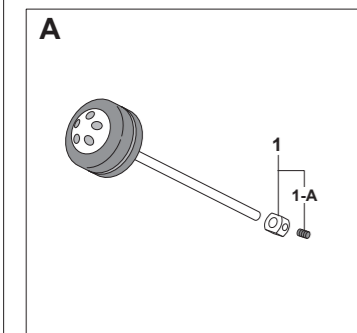
P-3000C / 3002C



P-3000C



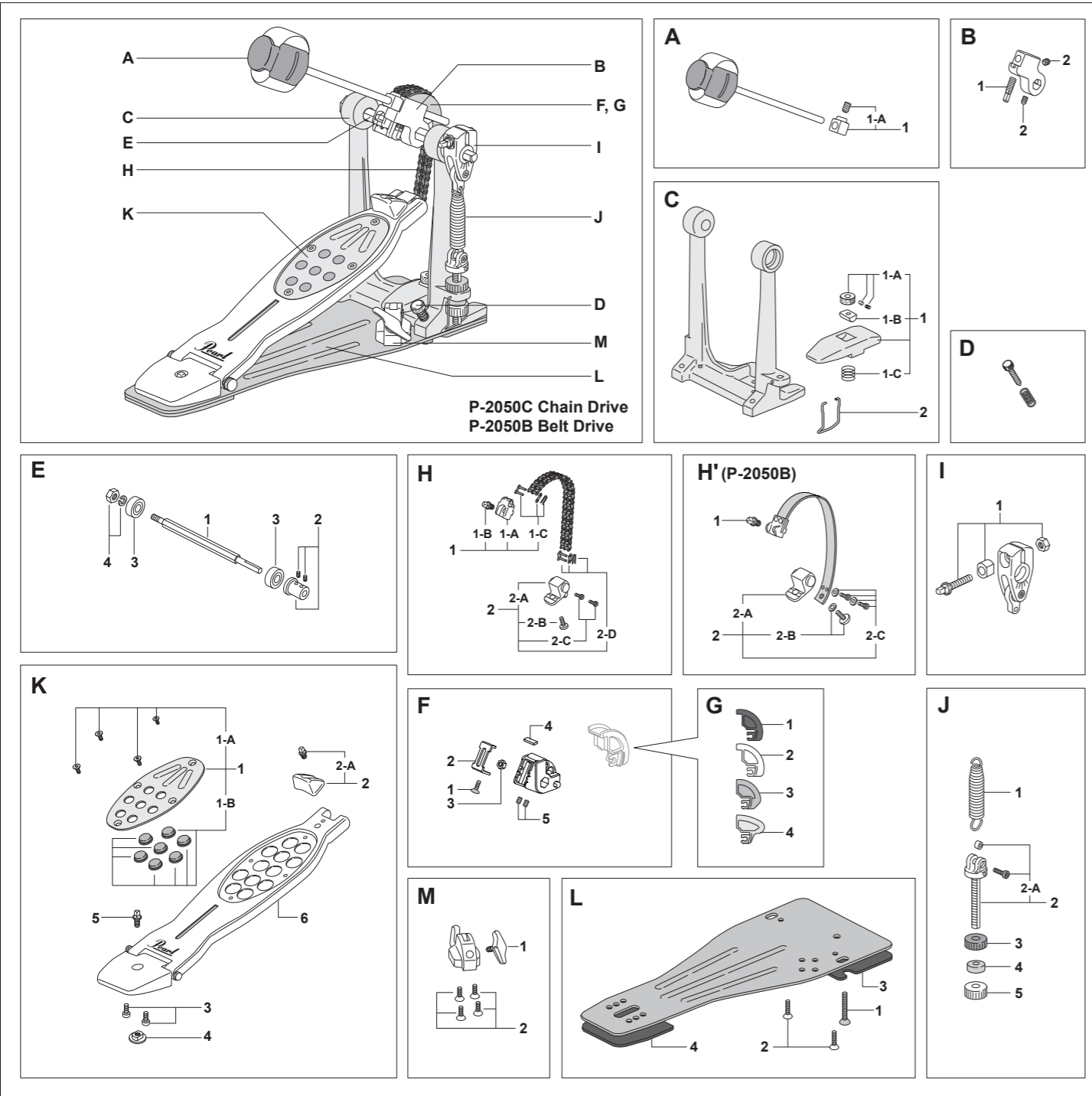
P-3002C



- A B-300F** Control Core Felt Beater
- B-300W** Control Core Wood Beater (Option)
- 1 ME-732A Beater Setting Stopper Assy.
- 1-A SB-65 Allen Screw
- B DC-717ULA** Beater Holder Link Complete
- 1 KB-623DW Key Bolt w/Washer
- 2 SC-415 Key Bolt
- C DC-716A** Pedal Post
- 1 SC-366SC Screw (one each)
- 2 SG-014 Click Lock Lever
- D SFT-DL** Hexagonal Axle Shaft Assy.
- 1 ME-738NA Hexagonal Axle ONLY
- 2 NU-48 NiNJA Bearing (one each)
- 3 ME-741A Axle Sleeve w/Allen Screws
- E SFT-DS** Axle Shaft Assy.
- 1 ME-739NA Axle Shaft ONLY
- 2 NU-48 NiNJA Bearing (one each)
- 3 ME-741A Axle Sleeve w/Allen Screws
- F CCA-300** Double Chain Assy. Complete
- 1 DC-511ACA Chain Connecting Bracket Assy. (Top)
- 1-A DC-511A Chain Connecting Bracket ONLY (Top)
- 1-B SC-468 Button Bolt
- 1-C ME-803 Chain End Connector Assy.
- 2 DC-746A Toe Stopper Assy.
- 2-A KB-508 Key Bolt
- 3 DC-747A Chain Connecting Bracket Assy. (Bottom)
- 3-A DC-747 Chain Connecting Bracket ONLY (Bottom)
- 3-B SC-357 Button Bolt
- 3-C SC-284 Screw (one each)
- 3-D ME-803 Chain End Connector Assy.
- G FB-300AC** Footboard Assy. Complete
- 1 DC-721A Traction Plate Assy.
- 1-A ME-728 Traction Grip (one each)
- 2 DC-722 Footboard ONLY
- 3 SC-421W Screw w/Washers
- 4 DC-720BAC Heel Plate w/Logo Plate
- 5 DC-720FA Hinge Assy.
- 6 SC-421W Screw w/Washers (one each)
- 7 SC-418 Screw (one each)
- H DC-748A** Aluminum Wheel Assy. Complete
- 1 SC-435 Allen Screw (one each)
- 2 FE-40LN Felt Strip
- I DC-714A** Uni-Lock Footboard Angle Cam Complete
- 1 KB-630DA Bolt & Nut Set
- J SPA-64D** Spring Assy. Complete
- 1 SP-64NF Spring (w/Felt) ONLY
- 2 DC-724A Adjustment Bolt Assy.
- 2-A SC-259A Bolt & Collar Set
- 3 NP-470 Upper Nut
- 4 DC-723 Lower Nut
- K DC-399D** Hoop Clamp Lever Assy.
- 1 UGB-820C Die-Cast Wing Bolt
- 2 SC-367SC Flat-Head Screw (one each)
- L DC-719A** Hoop Clamp Assy.
- 1 DC-718A Hoop Clamp Bar w/Rubber Grip
- 2 SM-119A Adjustment Knob Assy.
- 3 ME-507 Pivot Block
- 4 SP-77 Spring
- 5 NP-464 Rubber Grip (one each)
- 6 SC-366SC Flat-Head Screw (one each)
- M DS-300A** Drive Shaft Assy. Complete
- 1 SP-65D Drive Shaft Sleeve w/Key Bolts
- 1-A KB-608D Key Bolt (one each)
- 2 SP-602CCA Hexagonal Drive Shaft w/Key Bolts (one set)
- 2-A KB-508D Key Bolt (one each)
- N KMF-300A** Multi Function Drum Key Dock Assy.
- 1 KMF-300 Multi Function Drum Key ONLY
- 2 NP-469A Docking Assy.
- O PR-672A** Bottom Plate
- 1 NP-467A Rubber Mat w/Adhesive Tape (Front)
- 2 NP-468A Rubber Mat w/Adhesive Tape (Heel)
- 3 NP-474 Velcro Tape (one each)

DRUM PEDALS

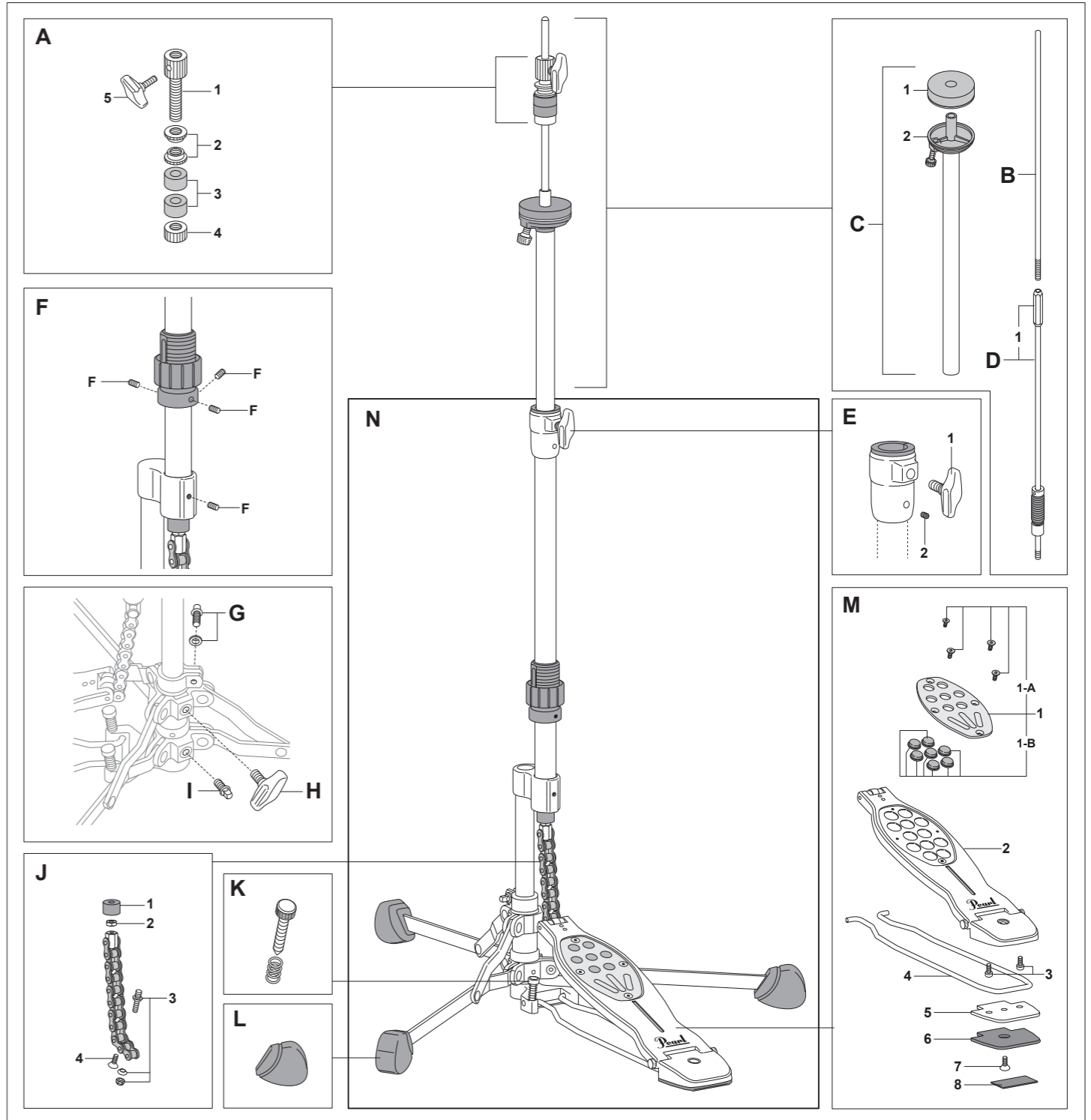
P-2050C / 2050B



- | | | |
|--|--|--|
| A B-250QB Quad Beater Complete | G CAMT-5 Double Chain Assy. Complete / P-2050C | J SPA-64D Spring Assy. Complete |
| 1 AD-044A Beater Setting Stopper Assy. | 1 DC-511AA Chain Connecting Bracket Assy. (Top) | 1 SP-64NF Spring (w/Felt) ONLY |
| 1-A SB-66 Allen Screw | 1 DC-511A Chain Connecting Bracket ONLY (Top) | 2 DC-724A Adjustment Bolt Assy. |
| B AD-035A Beater Holder Link Complete | 1-A KB-508 Key Bolt | 2-A SC-259A Bolt & Collar Set |
| 1 KB-814 Key Bolt | 1-B ME-244 Chain End Connector Assy. | 3 NP-470 Upper Nut |
| 2 SB-66 Allen Screw (one each) | 2 DC-511BA Chain Connecting Bracket Assy. (Bottom) | 4 ME-792 Spacer |
| C DC-513VA Pedal Frame w/Hoop Clamp | 2-A DC-511B Chain Connecting Bracket ONLY (Bottom) | 5 DC-723 Lower Nut |
| 1 DC-514VCA Hoop Clamp Assy. | 2-B SC-357 Screw | K FB-2050A Footboard Assy. Complete |
| 1-A SM-119A Adjustment Knob Assy. | 2-C SC-284 Screw (one each) | 1 AL-24GA Traction Plate Assy. |
| 1-B ME-507 Pivot Block | 2-D ME-244 Chain End Connector Assy. | 1-A SC-363L Mounting Screw (one each) |
| 1-C SG-001 Spring | | 1-B NP-283RV Traction Grip (one each) |
| 2 SP-82 Click Lock Lever | H' BCA-250 Belt Assy. Complete / P-2050B | 2 DC-508A Toe Stopper Assy. |
| D LT-636 Anchor Screw w/Spring | 1 KB-512 Key Bolt (long) | 2-A KB-508 Key Bolt |
| E SM-028A Hexagonal Axle Assy. | 2 DC-510BA End Connector Assy. (Bottom) | 3 SC-261 Screw (one each) |
| 1 SM-028 Hexagonal Axle ONLY | 2-A DC-510B End Connector ONLY | 4 ZD-041 Heel Position Adjust Nut |
| 2 ME-741A Axle Sleeve w/Allen Screws | 2-B SC-357W Screw w/Washer | 5 KB-608 Key Bolt |
| 1-B ME-004 NiNJA Bearing (one each) | 2-C SC-287W Screw w/Washer (one each) | 6 AD-032A Footboard Assy. ONLY |
| 4 BSA-3 End Nut w/Washer | | L PWP-200SA Power Plate Assy. Complete |
| F AD-034A Aluminum Wheel Assy. Complete | I DC-714A Uni-Lock Footboard Angle Cam Complete | 1 SC-325R Screw |
| 1 SC-327H Flat-Head Screw | 1 KB-630DA Bolt & Nut Set | 2 SC-149 Screw (one each) |
| 2 PR-546 Slider Bracket | | 3 NP-284S Rubber Mat (Front) |
| 3 NU-10 Hexagonal Nut | | 4 NP-285 Rubber Mat (Heel) |
| 4 FE-40C Felt | | M DC-399S Hoop Clamp Cam Assy. Complete |
| 5 SB-66 Allen Screw (one each) | | 1 UGB-820C Die-Cast Wing Bolt |
| | | 2 SC-191BN Screw (one each) |

DRUM PEDALS

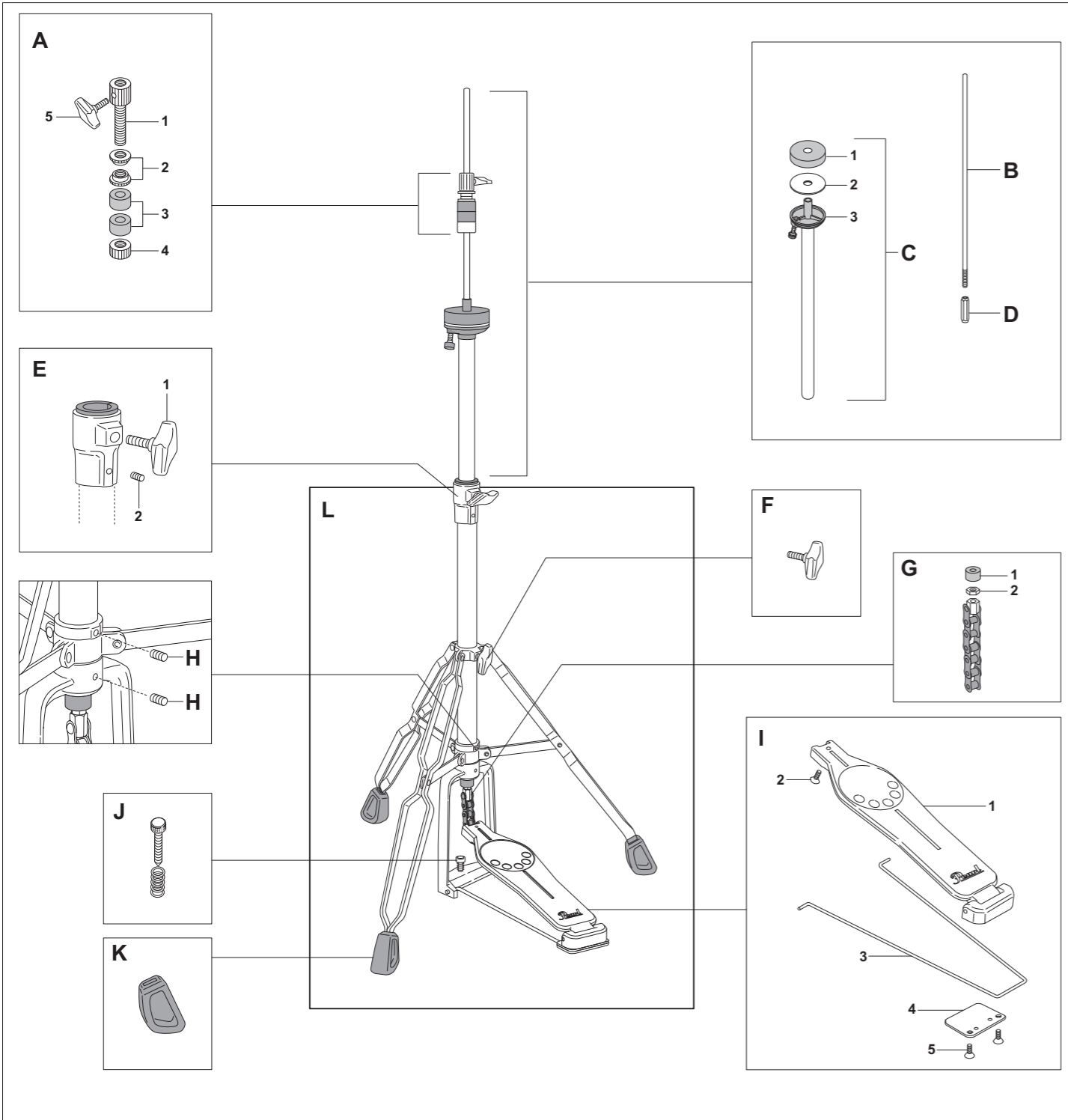
H-150S



- | | | |
|--|--|---|
| A HCL-90 Hi-Hat Clutch Complete | E PJ-70 Die-Cast Joint Assy. Complete | K LT-636S Anchor Screw w/Spring |
| 1 SM-011 Pipe Bolt | 1 UGB-815S Die-Cast Wing Bolt | L NP-454N Rubber Tip (one each) |
| 2 AM-001 Lock Nut (one each) | 2 SB-44 Allen Screw | M FB-150SHA Footboard Assy. Complete |
| 3 FLW-007 Felt Washer (one each) | F SB-55 Allen Screw (one each) | 1 AL-24GA Traction Plate Assy. |
| 4 AM-002 Bottom Lock Nut | G KB-615WS Key Bolt w/Washer | 1-A SC-363L Mounting Screw (one each) |
| 5 UGB-610 Die-Cast Wing Bolt | H UGB-815S Die-Cast Wing Bolt | 1-B NP-283RV Traction Grip (one each) |
| B SM-012S Upper Pull Rod | I KB-814 Key Bolt | 2 AD-032SA Footboard Assy. ONLY |
| C UT-H15S Upper Tube Assy. Complete | J LC-15S Pull Rod Link Assy. | 3 SC-261 Screw (one each) |
| 1 FLW-009SW Felt Washer w/Steel Washer | 1 RB-017 Rubber Washer | 4 RR-150 Radius Rod |
| 2 HHC-79 Plastic Cup w/Filter. | 2 NU-19 Nut | 5 RRC-90 Radius Rod Cover |
| D LPR-150 Lower Pull Rod Complete | 3 SM-110A Chain-Link Post Assy. | 6 NP-387 Rubber Mat |
| 1 SM-116 Pull Rod Connector ONLY | 4 SC-366SC Screw | 7 SC-258 Screw |
| | | 8 NP-474 Velcro Tape |
| | | N BA-H15S Base Assy. Complete |

HI-HAT STANDS

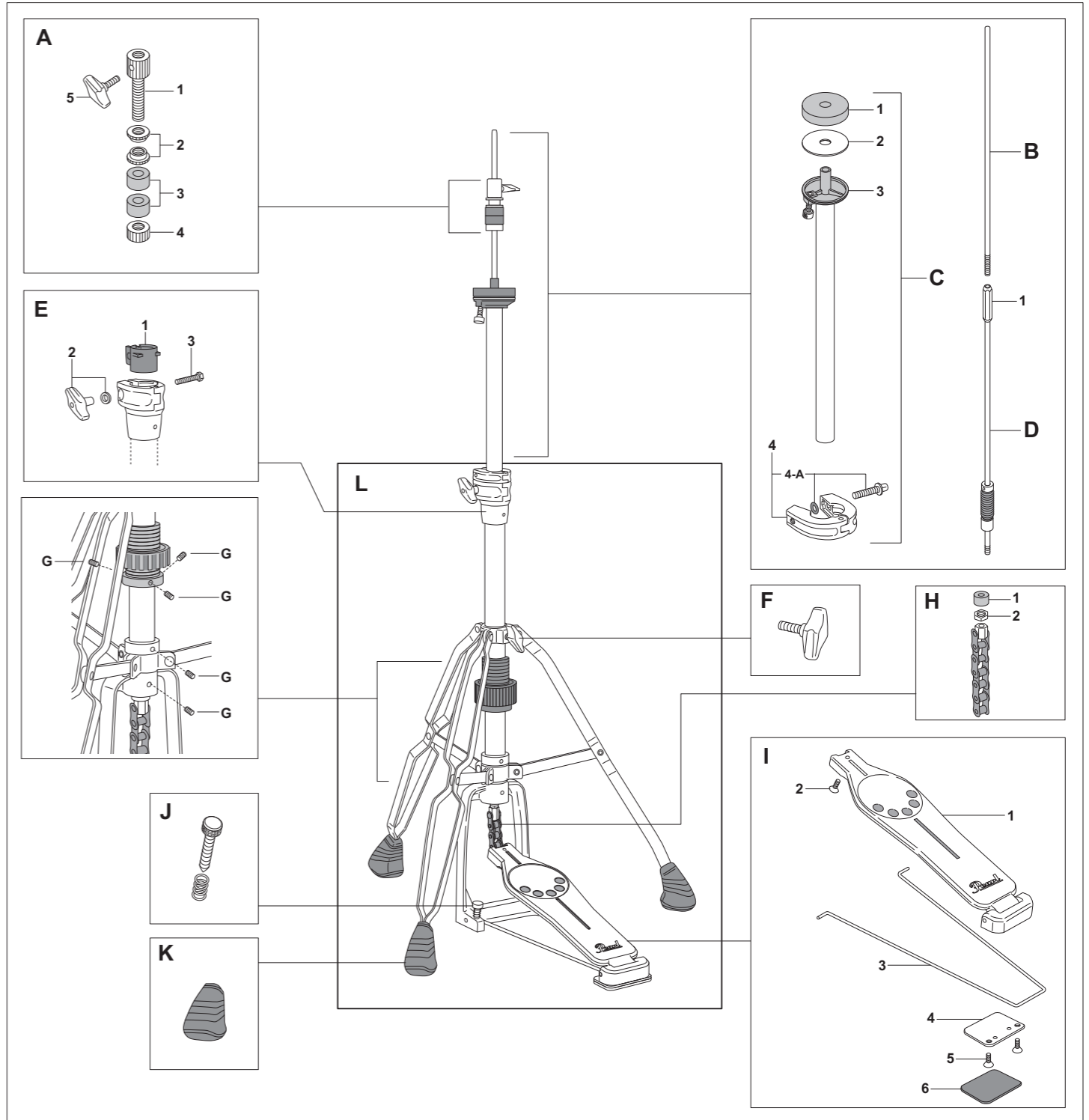
H-830



A	HCL-79	Hi-Hat Clutch Complete	F	UGB-815S	Die-Cast Wing Bolt
1	SM-011	Pipe Bolt	G	LC-93	Pull Rod Link Assy.
2	AM-001	Lock Nut (one each)	1	RB-017	Rubber Washer
3	FE-10	Felt Washer (one each)	2	NU-19	Nut
4	AM-002	Bottom Lock Nut	H	SB-55	Allen Screw
5	UGB-610	Die-Cast Wing Bolt	I	FB-930UHA	Footboard Assy. Complete
B	SM-012	Upper Pull Rod	1	FB-930U	Footboard ONLY
C	UT-H83	Upper Tube Assy. Complete	2	SC-367	Screw
1	FE-33	Felt Washer	3	RR-93	Radius Rod
2	HCW-90	Steel Washer	4	STL-2	Radius Rod Cover
3	HHC-90	Plastic Cup w/Tilter	5	SC-366SC	Screw (one each)
D	ME-42N	Pull Rod Connector ONLY	J	LT-626	Anchor Screw w/Spring
E	PJ-83L	Die-Cast Joint Assy. Complete	K	RB-022	Rubber Tip (one each)
1	UGB-815S	Die-Cast Wing Bolt	L	BA-H83	Base Assy. Complete
2	SB-44	Allen Screw			

HI-HAT STANDS

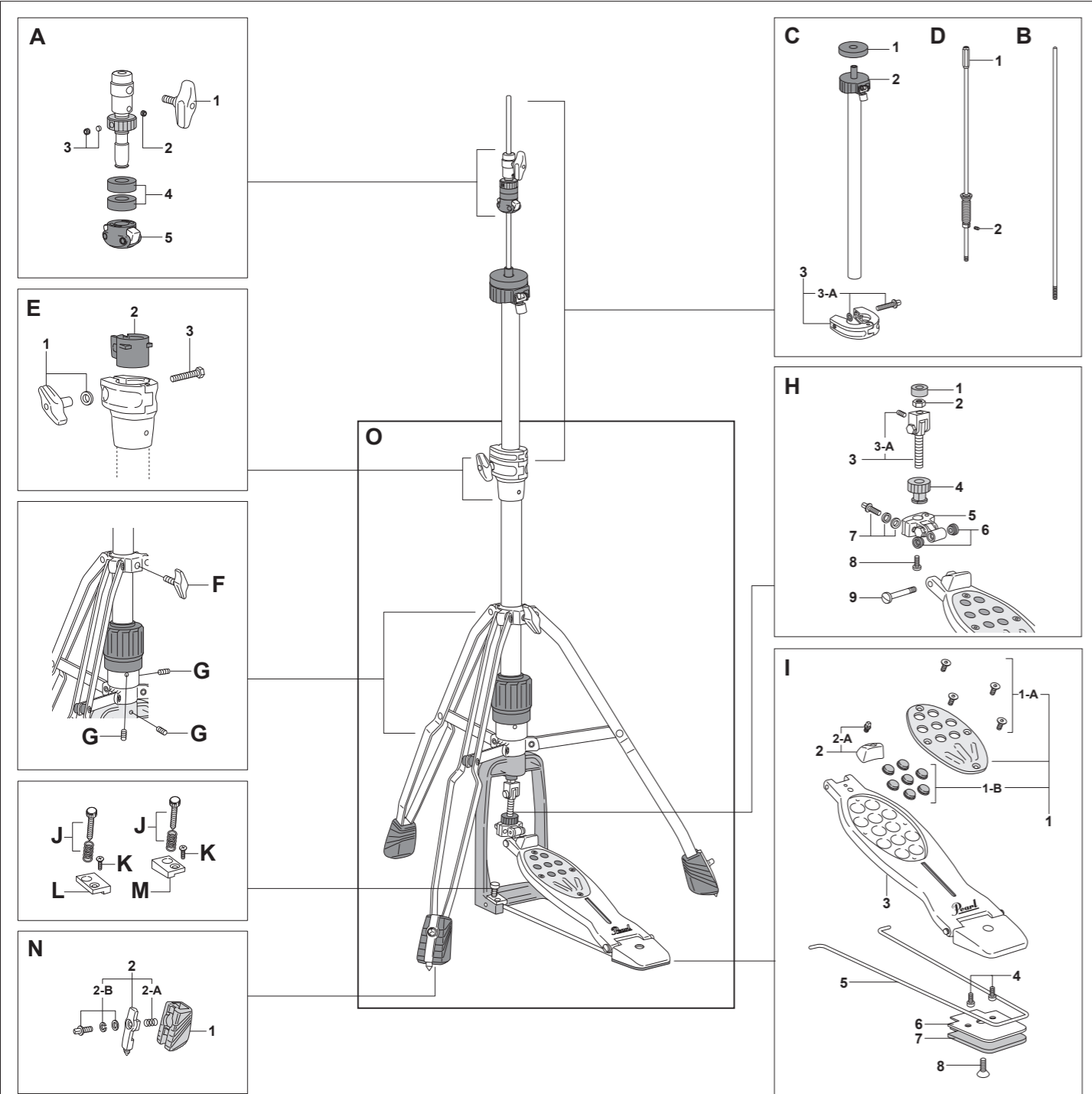
H-930



A	HCL-90	Hi-Hat Clutch Complete	E	PJ-100L	Die-Cast Joint Assy. Complete	I	FB-930HA	Footboard Assy. Complete
1	SM-011	Pipe Bolt	1	NP-366	Nylon Bushing	1	FB-930	Footboard ONLY
2	AM-001	Lock Nut (one each)	2	UGN-6	Die-Cast Wing Nut w/Washer	2	SC-367	Screw
3	FLW-007	Felt Washer (one each)	3	SC-169	Clamp Bolt	3	RR-93	Radius Rod
4	AM-002	Bottom Lock Nut	F	UGB-815S	Die-Cast Wing Bolt	4	STL-2	Radius Rod Cover
5	UGB-610	Die-Cast Wing Bolt	G	SB-55	Allen Screw (one each)	5	SC-366SC	Screw (one each)
B	SM-012	Upper Pull Rod	H	LC-93	Pull Rod Link Assy.	6	RB-018	Rubber Mat
C	UT-H93	Upper Tube Assy. Complete	1	RB-017	Rubber Washer	J	LT-626	Anchor Screw w/Spring
1	FLW-003	Felt Washer	2	NU-19	Nut	K	RB-008	Rubber Tip (one each)
2	HCW-90	Steel Washer	L	BA-H93	Base Assy. Complete			
3	HHC-90	Plastic Cup w/Tilter						
4	ZD-104A	Stop Lock Complete						
4-A	KB-625O	Key Bolt w/O-Ring						
D	LPR-90	Lower Pull Rod Complete						
1	SM-116	Pull Rod Connector ONLY						

HI-HAT STANDS

H-1050



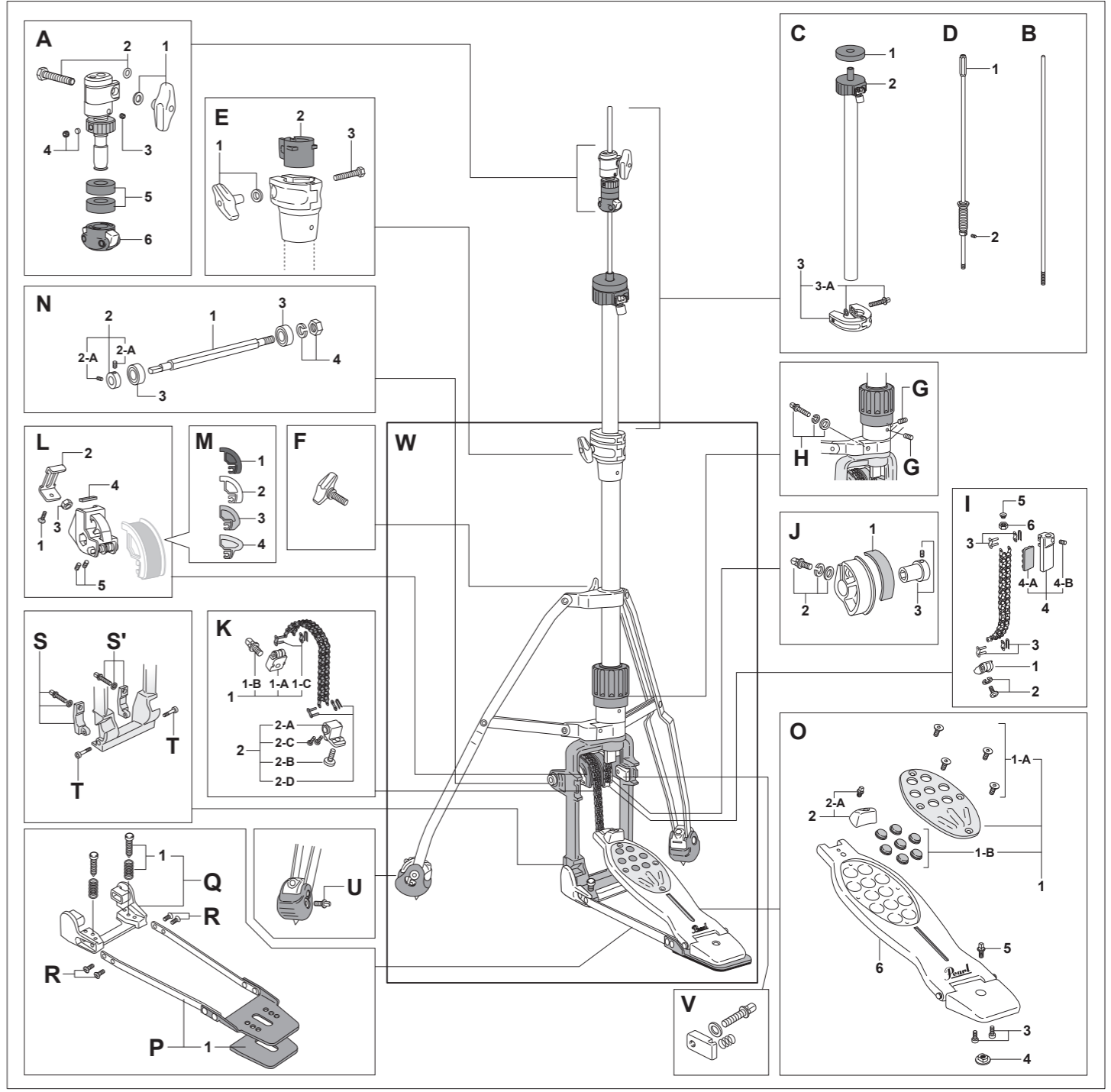
- A HCL-105QR HI-Hat Clutch Complete**
- 1 UGB-610 Die-Cast Wing Bolt
- 2 SB-44 Allen Screw
- 3 SSH-504PS Allen Screw w/Spacer
- 4 FLW-010 Felt Washer (one each)
- 5 PL-062A Rapid Lock Clutch Bottom Fastener
- B SM-012 Upper Pull Rod**
- 1 SM-116 Pull Rod Connector ONLY
- 2 SB-44 Allen Screw
- E PJ-100H Die-Cast Joint Assy. Complete**
- 1 UGN-6 Die-Cast Wing Nut w/Washer
- 2 NP-365 Nylon Bushing
- 3 SC-169 Clamp Bolt
- F UGB-815S Die-Cast Wing Bolt**
- G SB-55 Allen Screw (one each)**

- H FCA-100 Pedal Link Complete**
- 1 RB-004 Rubber Washer
- 2 NU-19 Nut
- 3 DC-558AC Upper Link Assy.
- 3-A SB-44 Allen Screw
- 4 NP-353 Height Adjuster
- 5 DC-556AC Lower Link Assy.
- 6 NP-352 Nylon Spacer (one each)
- 7 KB-615W Key Bolt w/Washers
- 8 SC-351 Screw
- 9 ME-569N Pivot Bolt
- I FB-1050HA Footboard Assy. Complete**
- 1 AL-24GA Traction Plate Assy.
- 1-A SC-363L Mounting Screw (one each)
- 1-B NP-283RV Traction Grip (one each)
- 2 DC-508A Toe Stopper Assy.
- 2-A KB-508 Key Bolt
- 3 AD-032HA Footboard Assy. ONLY
- 4 SC-261 Screw (one each)
- 5 RR-90 Radius Rod
- 6 RRC-90 Radius Rod Cover
- 7 NP-387 Rubber Mat
- 8 SC-258 Screw

- J LT-636 Anchor Screw w/Spring**
- K SC-39 Screw (one each)**
- L DC-557LF Anchor Plate, Left**
- M DC-557RF Anchor Plate, Right**
- N NP-427AC Convertible Tip Assy. Complete**
- 1 NP-427 Rubber Tip ONLY
- 2 DC-523A Spike Assy. Complete
- 2-A SG-004 Spring
- 2-B KB-625W Key Bolt w/Washers
- O BA-H105 Base Assy. Complete**

HI-HAT STANDS

H-2050



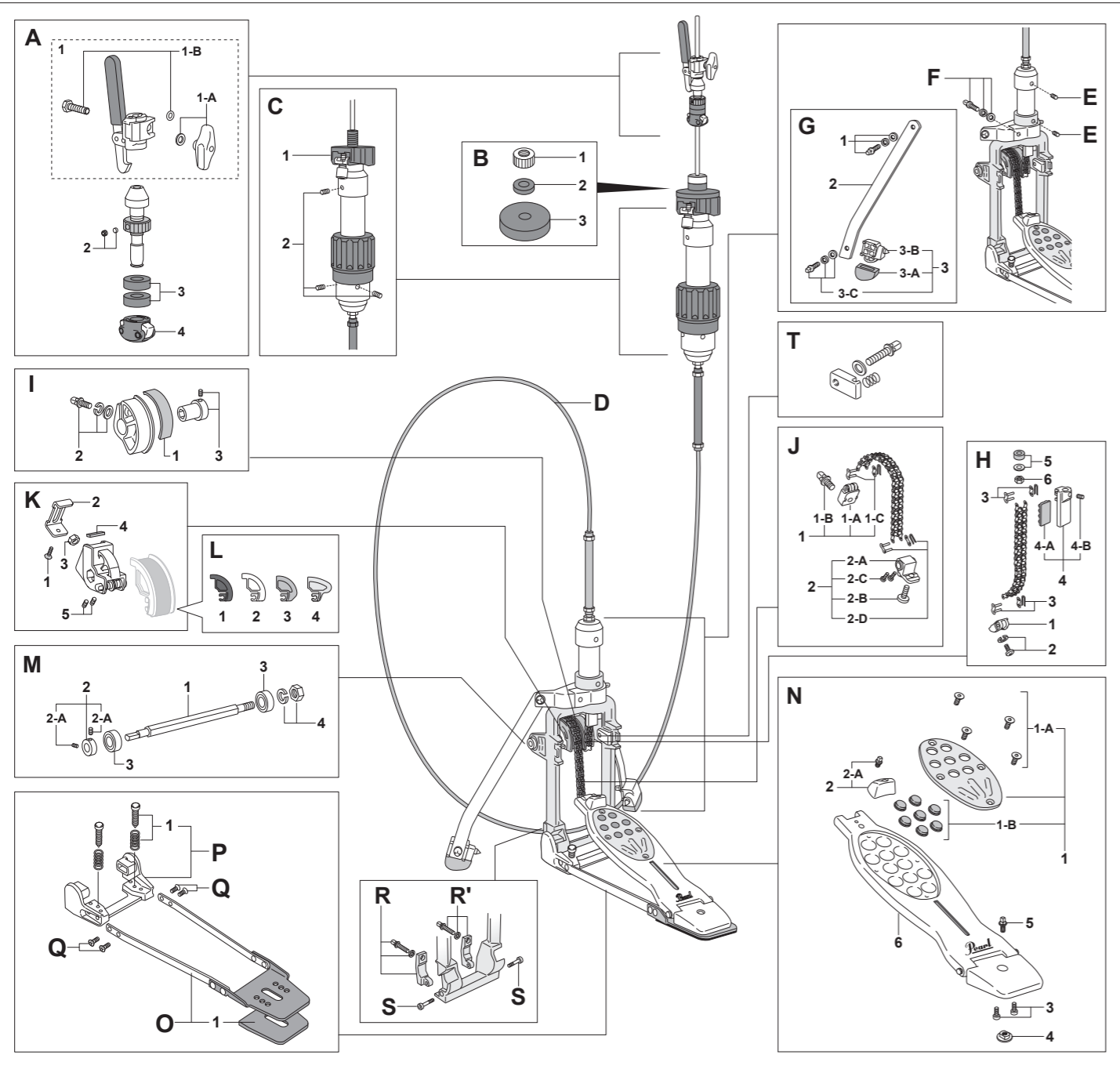
- A HCL-205QR Super Grip Clutch**
- 1 AD-038A Aluminum Wing Nut w/Washer
- 2 SC-168O Clamp Bolt w/O-Ring
- 3 SB-44 Allen Screw
- 4 SSH-504PS Allen Screw w/Spacer
- 5 FLW-010 Felt Washer (one each)
- 6 PL-062A Rapid Lock Clutch Bottom Fastener
- B SM-012S Upper Pull Rod**
- 1 HUP-105 Upper Tube Assy. Complete
- 1 FLW-003 Felt Washer
- 2 HHC-20 Plastic Cup w/Tilter
- 3 SG-004 Stop Lock Complete
- 3-A KB-625O Key Bolt w/O-Ring
- D LS-200 Lower Pull Rod Complete**
- 1 SM-116 Pull Rod Connector ONLY
- 2 SB-44 Allen Screw
- E PJ-100H Die-Cast Joint Assy. Complete**
- 1 UGN-6 Die-Cast Wing Nut w/Washer
- 2 NP-365 Nylon Bushing
- 3 SC-169 Clamp Bolt
- F UGB-815S Die-Cast Wing Bolt**
- G SB-55 Allen Screw (one each)**
- H KB-625W Key Bolt w/Washers**
- I CCA-6H Chain Assy. Complete (pull cam side)**
- 1 DC-400 Chain Connector
- 2 SC-94W Screw w/Washer
- 3 ME-244 Chain End Connector Assy. (one each)

- 4 DC-524A Rod Connector, Complete
- 4-A NP-296 Rubber Cushion
- 4-B SB-44 Allen Screw
- 5 SG-013 Waggle Spring
- 6 NU-19 Nut
- J DC-525NA Aluminum Pull Cam Assy. Complete**
- 1 FE-41 Felt Strip
- 2 KB-625W Drive Shaft Sleeve w/Allen Screw
- 3 SM-098A Chain Connecting Bracket Assy. (Top)
- K CCA-5H Double Chain Assy. Complete**
- 1 DC-511AA Chain Connecting Bracket Assy. (Top)
- 1-A DC-511A Chain Connecting Bracket ONLY (Top)
- 1-B KB-508 Key Bolt
- 1-C ME-244 Chain End Connector Assy.
- 2 DC-511BA Chain Connecting Bracket Assy. (Bottom)
- 2-A DC-511B Chain Connecting Bracket ONLY (Bottom)
- 2-B SC-357 Screw
- 2-C SC-284 Chain End Connector Assy.
- 2-D ME-244 Chain End Connector Assy.
- L AD-034A Aluminum Wheel Assy. Complete**
- 1 SC-327 Flat-Head Screw
- 2 PR-546 Slider Bracket
- 3 NU-10 Hexagonal Nut
- 4 FE-40C Felt
- 5 SB-66 Allen Screw (one each)
- M Interchangeable Cam**
- 1 CAMT-BK Black Cam
- 2 CAMT-WT White Cam
- 3 CAMT-BL Blue Cam
- 4 CAMT-RD Red Cam

- N SM-115A Hexagonal Axle Assy.**
- 1 SM-115 Hexagonal Axle ONLY
- 2 ME-518A Axle Sleeve w/Allen Screws
- 2-A SB-44 Allen Screw (one each)
- 3 NU-07B Bearing (one each)
- 4 BSA-3 End Nut w/Washer
- O FB-2050HA Footboard Assy. Complete**
- 1 AL-24GA Traction Plate Assy.
- 1-A SC-363L Mounting Screw (one each)
- 1-B NP-283RV Traction Grip (one each)
- 2 DC-508A Toe Stopper Assy.
- 2-A KB-508 Key Bolt
- 3 SC-261 Screw (one each)
- 4 ZD-041 Heel Position Adjust Nut
- 5 KB-608 Key Bolt
- 6 AD-032A Footboard Assy. ONLY
- P PR-660F Pedal Frame Assy. Complete**
- 1 NP-285 Rubber Mat
- Q DC-701A Frame Sleeve w/Screw**
- 1 LT-626 Anchor Screw w/Spring
- R SC-39 Screw (one each)**
- S DC-700VLA Receiver Clamp w/Key Bolt & Washer - Left**
- S' DC-700VRA Receiver Clamp w/Key Bolt & Washer - Right**
- T ME-712 Pivot Screw**
- U KB-625 Key Bolt**
- V DC-699A Docking Station Clamp w/Key Bolt, Washer & Spring**
- W BA-H205 Base Assy. Complete**

REMOTE HI-HAT

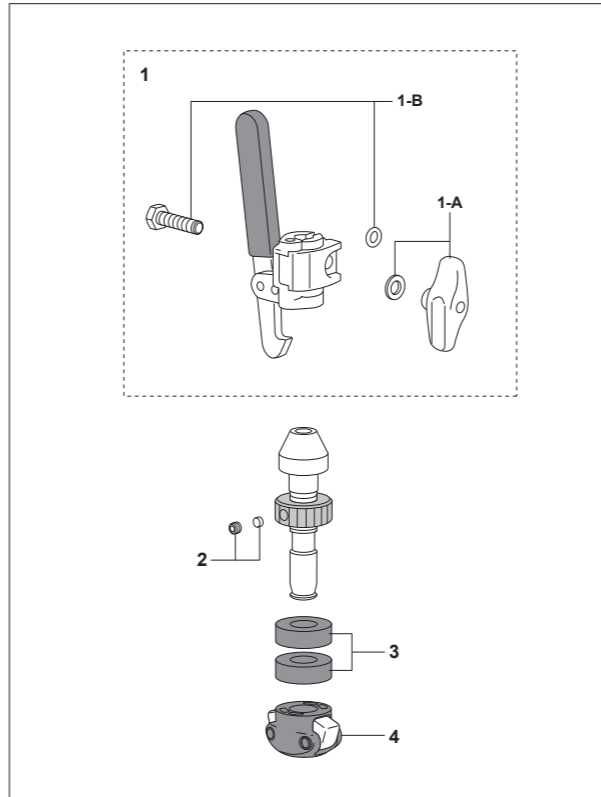
RH-2050



- | | | |
|---|--|--|
| A HCL-205DQR Drop Clutch | 4 DC-524A Rod Connector, Complete | M SM-115A Hexagonal Axle Assy. |
| 1 DCL-300T Drop Clutch Head Assy. | 4-A NP-296 Rubber Cushion | 1 SM-115 Hexagonal Axle ONLY |
| 1-A UGN-6 Die-Cast Wing Nut w/Washer | 4-B SB-44 Allen Screw | 2 ME-518A Axle Sleeve w/Allen Screws |
| 1-B SC-168O Clamp Bolt w/O-Ring | 5 FE-42W Felt Washer w/Washer | 2-A SB-44 Allen Screw (one each) |
| 2 SSH-504PS Allen Screw w/Spacer | 6 NU-19 Nut | 3 NU-07B Bearing (one each) |
| 3 FLW-010 Felt Washer (one each) | I DC-525NA Aluminum Pull Cam Assy. Complete | 4 BSA-3 End Nut w/Washer |
| 4 PL-062A Rapid Lock Clutch Bottom Fastener | 1 FE-41 Felt Strip | N FB-2050HA Footboard Assy. Complete |
| B CYS-205AA Cymbal Seat Assy. | 2 KB-625W Key Bolt w/Washers | 1 AL-24GA Traction Plate Assy. |
| 1 AM-006 Lock Nut | 3 SM-098A Drive Shaft Sleeve w/Allen Screw | 1-A SC-363L Mounting Screw (one each) |
| 2 FLW-008 Felt Washer | J CCA-5H Double Chain Assy. Complete | 1-B NP-283RV Traction Grip (one each) |
| 3 FLW-003 Felt Washer | 1 DC-511AA Chain Connecting Bracket Assy. (Top) | 2 DC-508A Toe Stopper Assy. |
| C HUP-200R Upper Tube Assy. Complete | 1 DC-511A Chain Connecting Bracket ONLY (Top) | 2-A KB-508 Key Bolt |
| 1 HHC-20R Plastic Cup w/Filter | 1-B KB-508 Key Bolt | 3 SC-261 Screw (one each) |
| 2 SB-55 Allen Screw (one each) | D CAU-2000 Cable Unit Complete, w/Nuts & Washers | 4 ZD-041 Heel Position Adjust Nut |
| E SB-55 Allen Screw (one each) | 1 AM-006 Lock Nut | 5 KB-608 Key Bolt |
| F KB-625W Key Bolt w/Washers | 2 FLW-008 Felt Washer | 6 AD-032A Footboard Assy. ONLY |
| G PS-061A Leg Assy. Complete | 3 FLW-003 Felt Washer | O PR-660F Pedal Frame Assy. Complete |
| 1 KB-625W Key Bolt w/Washers | M 2-A SC-261 Screw (one each) | 1 NP-285 Rubber Mat |
| 2 PS-061 Leg ONLY | 4 ZD-041 Heel Position Adjust Nut | P DC-701A Frame Sleeve w/Spring |
| 3 CT-88A Convertible Tip Assy. Complete | 5 KB-608 Key Bolt | 1 LT-626 Anchor Screw w/Spring |
| 3-A R-8H Rubber Tip (one each) | 6 AD-032A Footboard Assy. ONLY | Q SC-39 Screw (one each) |
| 3-B AN-88 Spike | O PR-660F Pedal Frame Assy. Complete | R DC-700VLA Receiver Clamp w/Key Bolt & Washer - Left |
| 3-C KB-615W Key Bolt w/Washers | 1 NP-285 Rubber Mat | R' DC-700VRA Receiver Clamp w/Key Bolt & Washer - Right |
| H CCA-6RH Chain Assy. Complete (pull cam side) | P DC-701A Frame Sleeve w/Spring | S ME-712 Pivot Screw |
| 1 DC-400 Chain Connector | 1 LT-626 Anchor Screw w/Spring | T DC-699A Docking Station Clamp w/Key Bolt, Washer & Spring |
| 2 SC-94W Screw w/Washer | Q SC-39 Screw (one each) | |
| 3 ME-244 Chain End Connector Assy. (one each) | R DC-700VLA Receiver Clamp w/Key Bolt & Washer - Left | |
| | R' DC-700VRA Receiver Clamp w/Key Bolt & Washer - Right | |
| | S ME-712 Pivot Screw | |
| | T DC-699A Docking Station Clamp w/Key Bolt, Washer & Spring | |

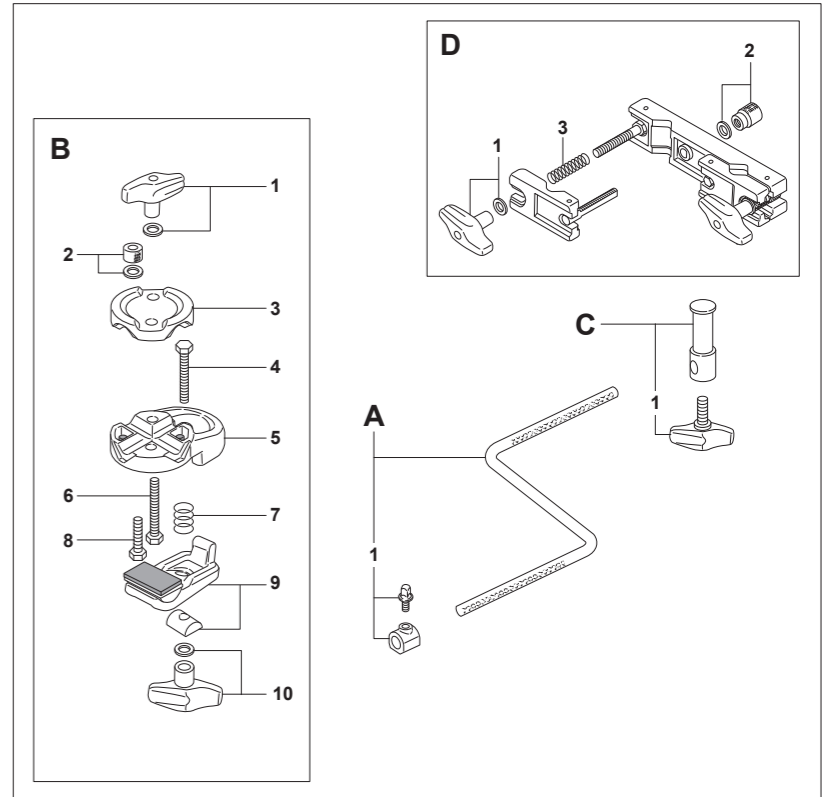
HI-HAT ACCESSORIES

HCL-205DQR Drop Clutch



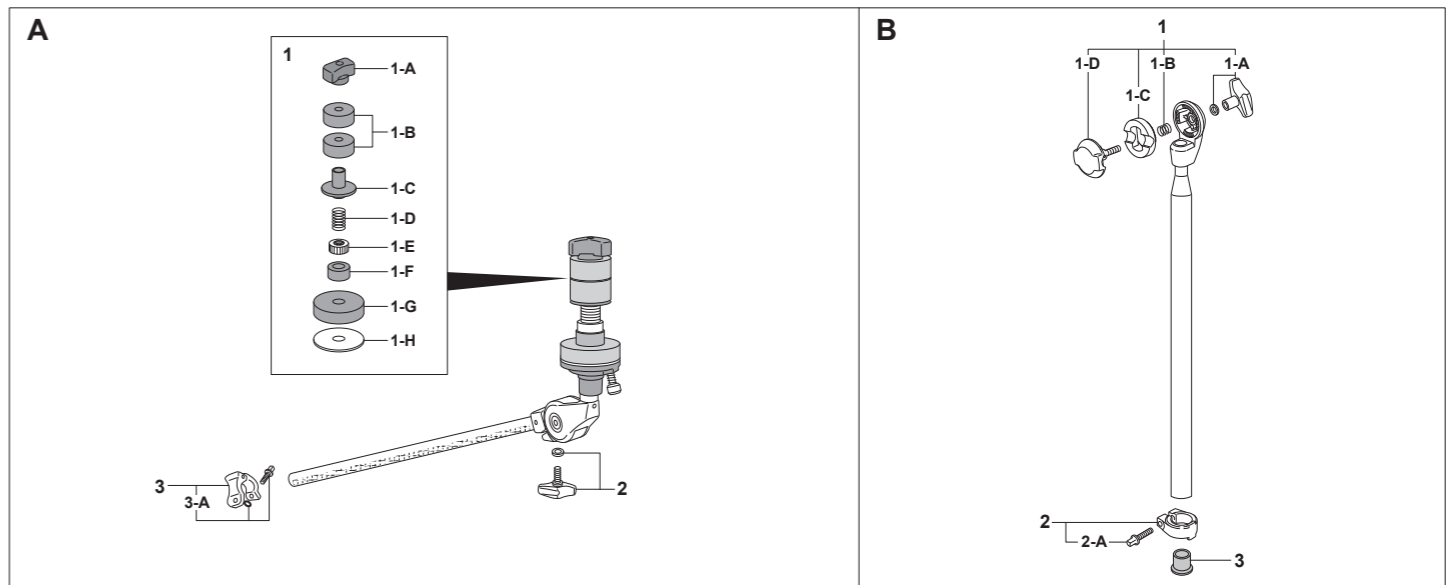
- | |
|--|
| 1 DCL-300T Drop Clutch Head Assy. |
| 1-A UGN-6 Die-Cast Wing Nut w/Washer |
| 1-B SC-168O Clamp Bolt w/O-Ring |
| 2 SSH-504PS Allen Screw |
| 3 FLW-010 Felt Washer (one each) |
| 4 PL-062A Rapid Lock Clutch Bottom Fastener |

HA-130 Hi-Hat Attachment



- | | |
|--|--|
| A SM-081A Crank Rod Assy. Complete | 7 SG-006N Spring |
| 1 AD-031A Stop Lock Complete | 8 SC-168 Clamp Bolt |
| B HCP-130 Hoop Mount Assy. Complete | 9 AD-029A Hoop Clamp Assy. |
| 1 UGN-6 Die-Cast Wing Nut w/Washer | 10 UGN-6 Die-Cast Wing Nut w/Washer |
| 2 SM-083A Knurled Round Nut w/Washer | C SM-082A Crank Rod Bracket |
| 3 AD-028 Clamp Plate | 1 UGB-815 Wing Bolt |
| 4 SC-181 Clamp Bolt | D ADP-20 Adaptor |
| 5 AD-027A Hoop Mount Holder | 1 UGN-8 Die-Cast Wing Nut w/Washer (one set) |
| 6 SC-181 Clamp Bolt | 2 M-8RN Knurled Round Nut w/Washer |
| | 3 SG-009 Spring |

CLH-930

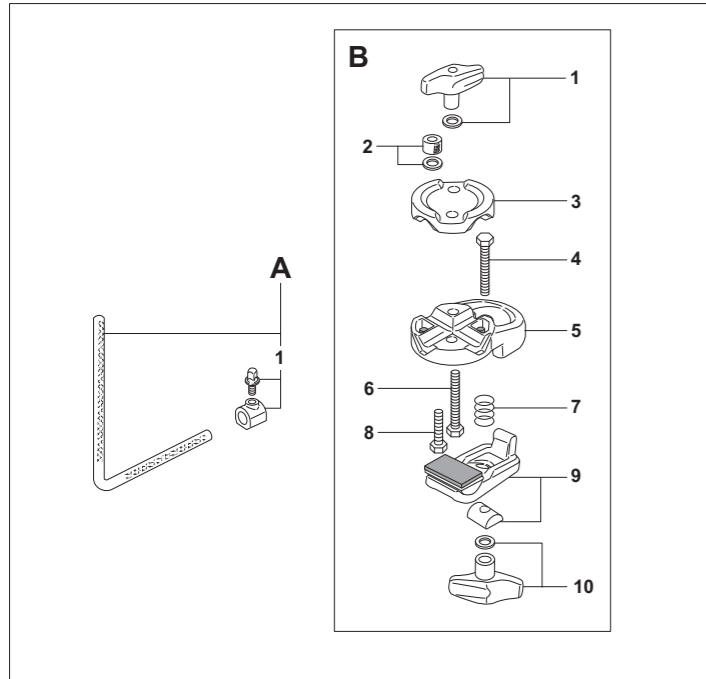


- | | |
|--|---|
| A AA-CLH93 Upper Section Assy. Complete | 2 UGB-830W Die-Cast Wing Bolt w/Washer |
| 1 UTS-CLH93 Top Section Assy. | 3 DC-627AN Stop Lock Complete |
| 1-A PL-010 Plastic Cymbal Nut | 3-A KB-615O Key Bolt w/O-Ring |
| 1-B FLW-001 Felt Washer (one each) | |
| 1-C NP-123 Plastic Sleeve | |
| 1-D SP-41 Spring | |
| 1-E ME-188 Lock Nut | |
| 1-F FLW-008 Felt Washer | |
| 1-G FLW-003 Felt Washer | |
| 1-H HCW-90 Steel Washer | |

- | |
|--|
| B UT-CH93BC Tube Assy. Complete |
| 1 BC-BC90 Boom Clamp Assy. Complete |
| 1-A UGN-8 Die-Cast Wing Nut w/Washer |
| 1-B SG-001 Spring |
| 1-C ZD-018N Clamp Gear Link |
| 1-D ZD-019A Boom Clamp Bolt |
| 2 ZD-081A Stop Lock Complete |
| 2-A KB-625 Key Bolt |
| 3 NP-164 Plastic End Cap |

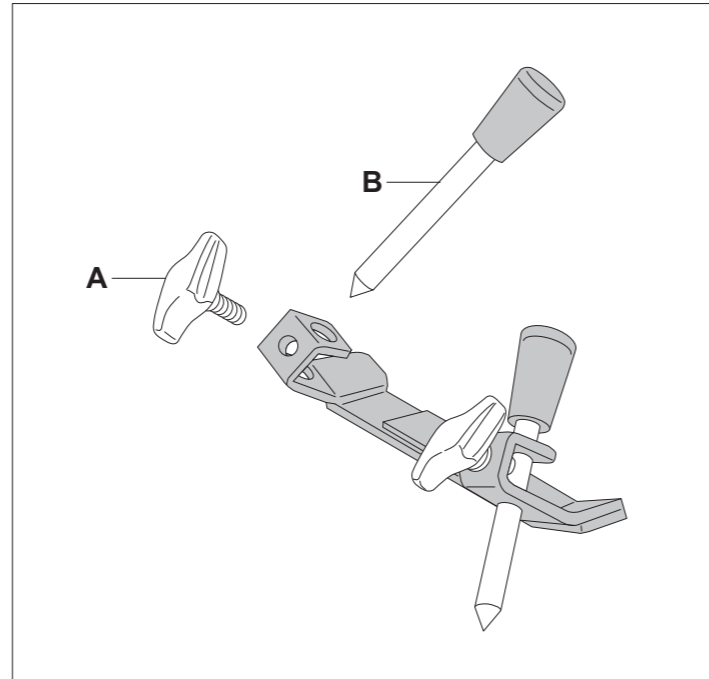
ACCESSORIES

CA-130 Cowbell Holder



- | | | | | | |
|----------|----------------|-----------------------------------|-----------|----------------|-----------------------------------|
| A | SM-080A | L Rod Assy. Complete | 5 | AD-027A | Hoop Mount Holder |
| 1 | AD-031A | Stop Lock Complete | 6 | SC-181 | Clamp Bolt |
| B | HCP-130 | Hoop Mount Assy. Complete | 7 | SG-006N | Spring |
| 1 | UGN-6 | Die-Cast Wing Nut w/Washer | 8 | SC-168 | Clamp Bolt |
| 2 | SM-083A | Knurled Round Nut w/Washer | 9 | AD-029A | Hoop Clamp Assy. |
| 3 | AD-028 | Clamp Plate | 10 | UGN-6 | Die-Cast Wing Nut w/Washer |
| 4 | SC-181 | Clamp Bolt | | | |

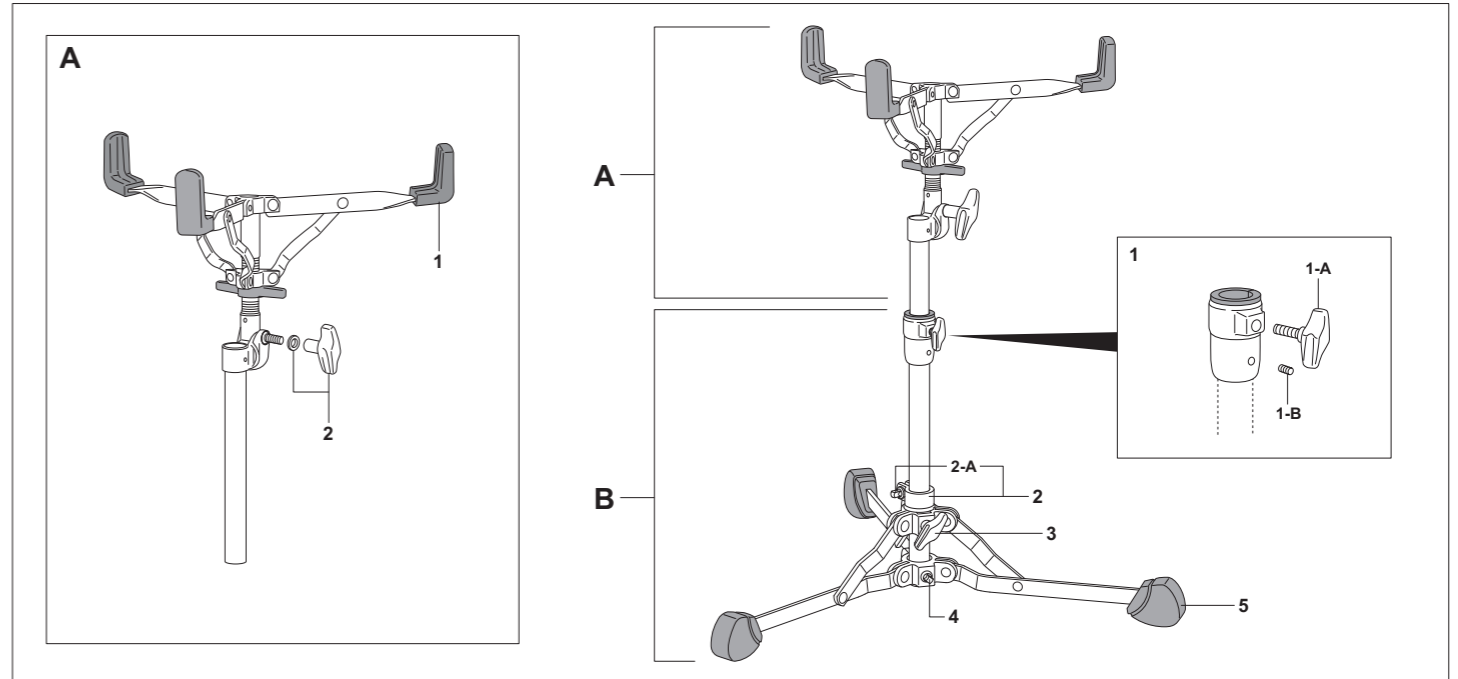
PS-85 Stabilizer



- | | | |
|----------|----------------|--------------------------------------|
| A | UGB-815 | Die-Cast Wing Bolt (one each) |
| B | ME-209A | Spike w/Rubber Tip (one each) |

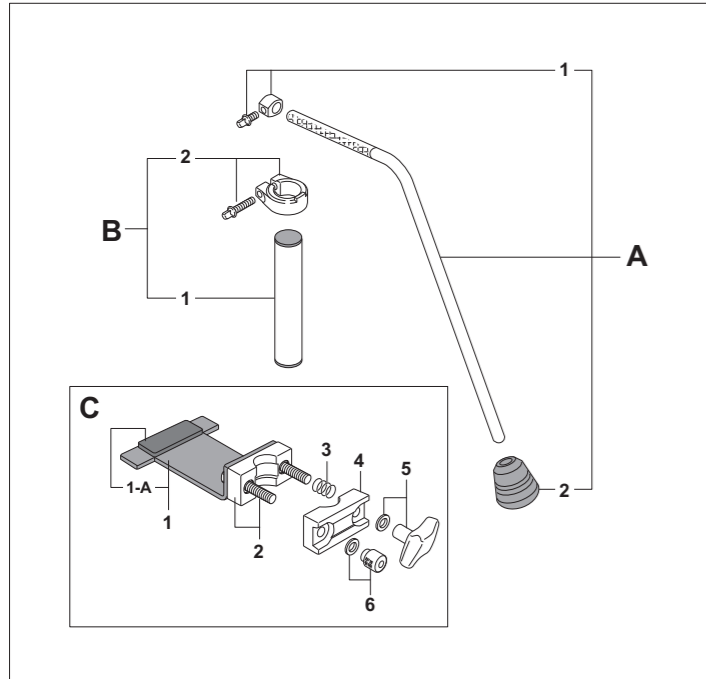
SNARE STANDS

S-150S



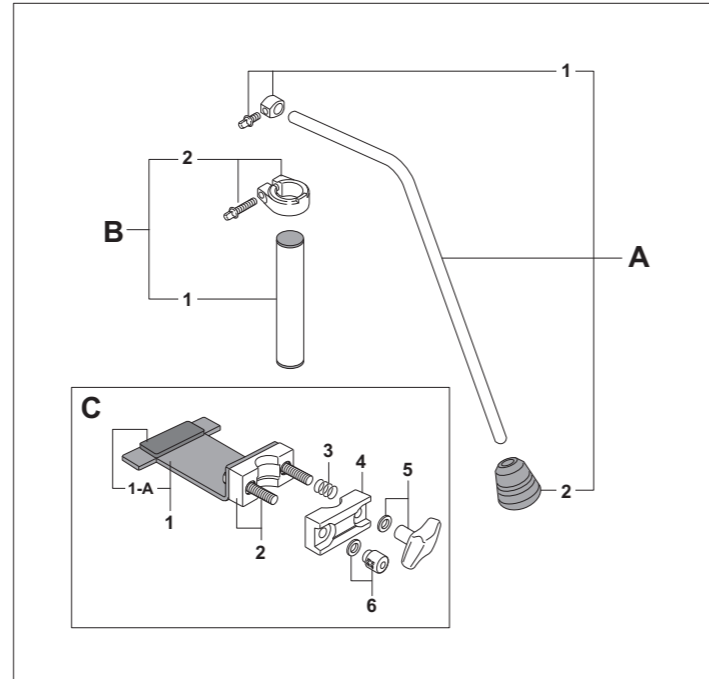
- | | | | | | |
|----------|---------------|-----------------------------------|------------|-----------------|--------------------------------------|
| A | S-15SA | Basket Complete | B | BA-S15S | Base Assy. Complete |
| 1 | RB-015 | Rubber Sleeve (one each) | 1 | PJ-60 | Die-Cast Joint Assy. Complete |
| 2 | UGN-8L | Die-Cast Wing Nut w/Washer | 1-A | UGB-815S | Die-Cast Wing Bolt |
| | | | 1-B | SB-44 | Allen Screw |
| | | | 2 | STB-19A | Stop Lock Complete |
| | | | 2-A | KB-615WS | Key Bolt w/Washer |
| | | | 3 | UGB-815S | Die-Cast Wing Bolt |
| | | | 4 | KB-814 | Key Bolt |
| | | | 5 | NP-454N | Rubber Tip (one each) |

JG-16 Jungle Gig Adapter



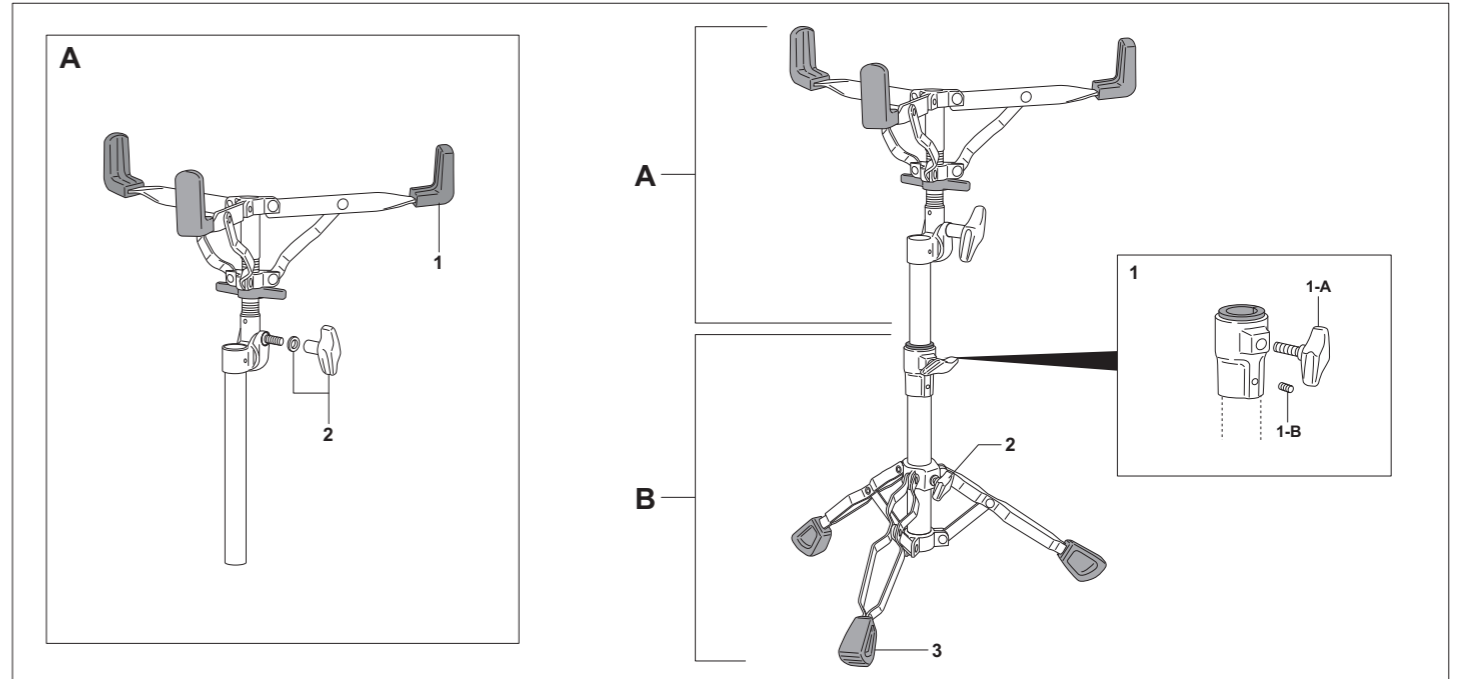
- | | | | | | |
|----------|-----------------|------------------------------|------------|-----------------|-----------------------------------|
| A | ME-508A | Leg Assy. Complete | C | PR-551AC | Pedal Plate Assy. Complete |
| 1 | LG-04S | Stop Lock Complete | 1 | PR-551A | Pedal Plate ONLY |
| 2 | R-5 | Rubber Tip (one each) | 1-A | NP-140 | Rubber Protector |
| B | PP-182AA | Pipe Assy. Complete | 2 | DC-365A | Pipe Bracket w/Bolts |
| 1 | PP-182A | Pipe w/Plastic Caps | 3 | SP-45S | Spring |
| 2 | ZD-081A | Stop Lock Complete | 4 | DC-366 | Die-Cast Link |
| | | | 5 | UGN-8 | Die-Cast Wing Nut w/Washer |
| | | | 6 | M-8RN | Knurled Round Nut w/Washer |

JG-16NK Jungle Gig Adapter



- | | | | | | |
|----------|-----------------|------------------------------|------------|-----------------|-----------------------------------|
| A | ME-723A | Leg Assy. Complete | C | PR-551AC | Pedal Plate Assy. Complete |
| 1 | LG-02NS | Stop Lock Complete | 1 | PR-551A | Pedal Plate ONLY |
| 2 | R-5 | Rubber Tip (one each) | 1-A | NP-140 | Rubber Protector |
| B | PP-182AA | Pipe Assy. Complete | 2 | DC-365A | Pipe Bracket w/Bolts |
| 1 | PP-182A | Pipe w/Plastic Caps | 3 | SP-45S | Spring |
| 2 | ZD-081A | Stop Lock Complete | 4 | DC-366 | Die-Cast Link |
| | | | 5 | UGN-8 | Die-Cast Wing Nut w/Washer |
| | | | 6 | M-8RN | Knurled Round Nut w/Washer |

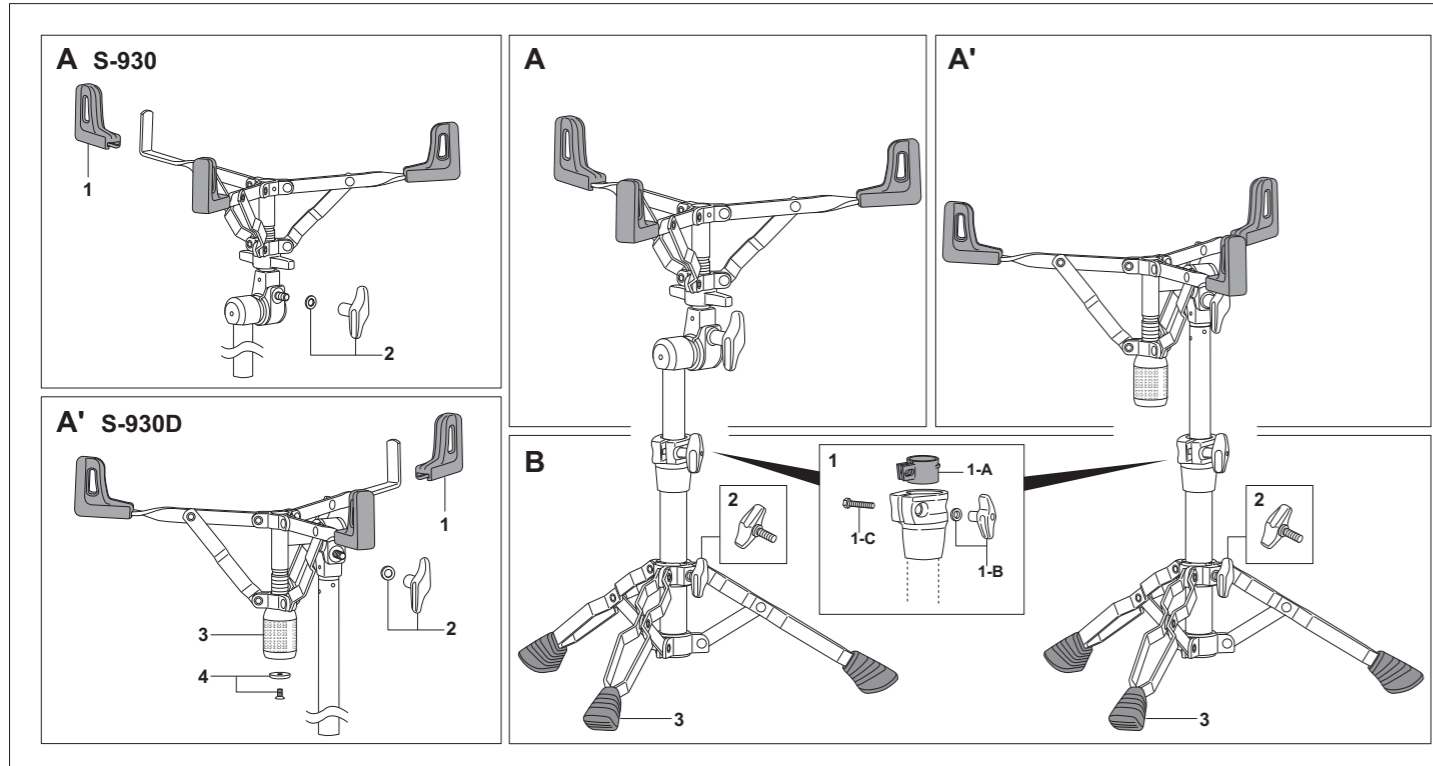
S-830



- | | | | | | |
|----------|---------------|-----------------------------------|------------|-----------------|--------------------------------------|
| A | S-83A | Basket Complete | B | BA-S83 | Base Assy. Complete |
| 1 | RB-015 | Rubber Sleeve (one each) | 1 | PJ-83L | Die-Cast Joint Assy. Complete |
| 2 | UGN-8L | Die-Cast Wing Nut w/Washer | 1-A | UGB-815S | Die-Cast Wing Bolt |
| | | | 1-B | SB-44 | Allen Screw |
| | | | 2 | UGB-815S | Die-Cast Wing Bolt |
| | | | 3 | RB-022 | Rubber Tip (one each) |

SNARE STANDS

S-930 / S-930D

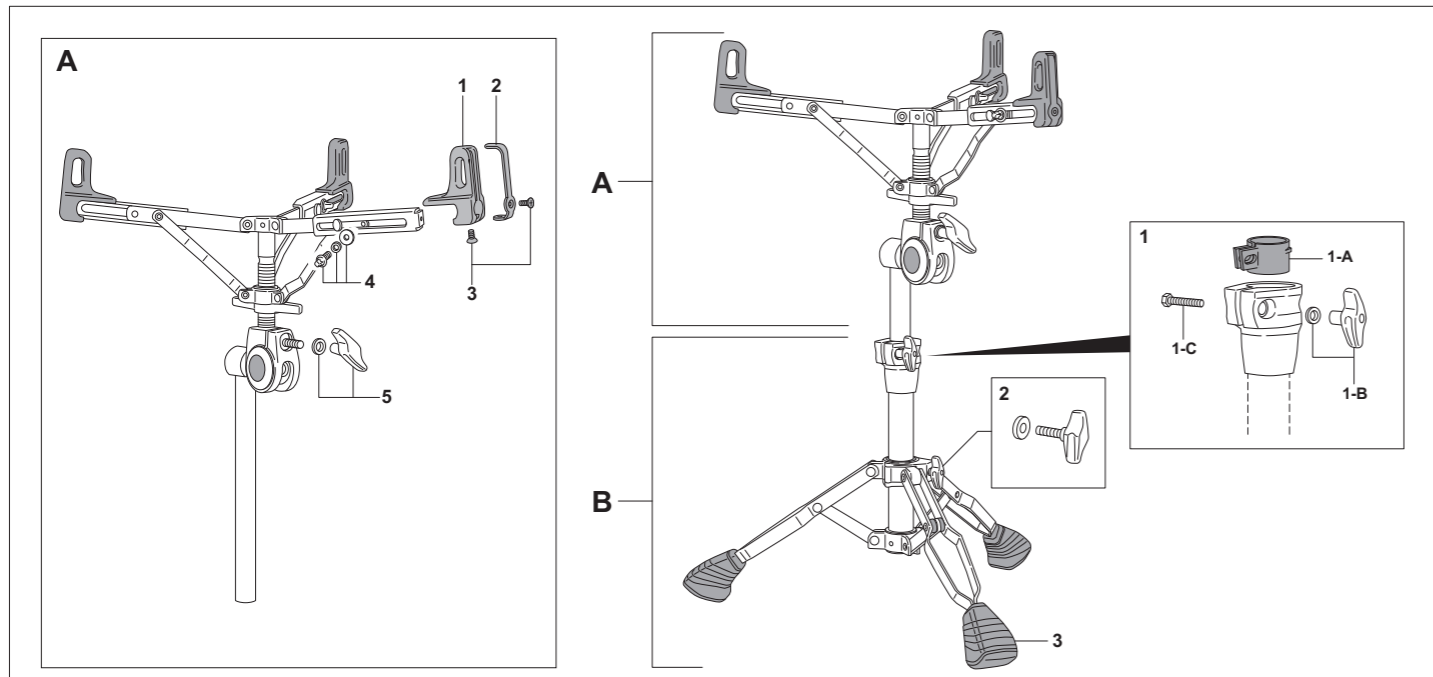


- A S-93A Basket Complete**
 1 RB-010 Rubber Sleeve (one each)
 2 UGN-8L Die-Cast Wing Nut w/Washer

- A' S-93DA Basket Complete**
 1 RB-010 Rubber Sleeve (one each)
 2 UGN-8L Die-Cast Wing Nut w/Washer
 3 SM-069 Adjustment Dial
 4 ME-697A Flat Head Screw w/Washer

- B BA-S93 Base Assy. Complete**
 1 PJ-100L Die-Cast Joint Assy. Complete
 1-A NP-366 Nylon Bushing
 1-B UGN-6 Die-Cast Wing Nut w/Washer
 1-C SC-169 Clamp Bolt
 2 UGB-815S Die-Cast Wing Bolt
 3 RB-009 Rubber Tip (one each)

S-1030

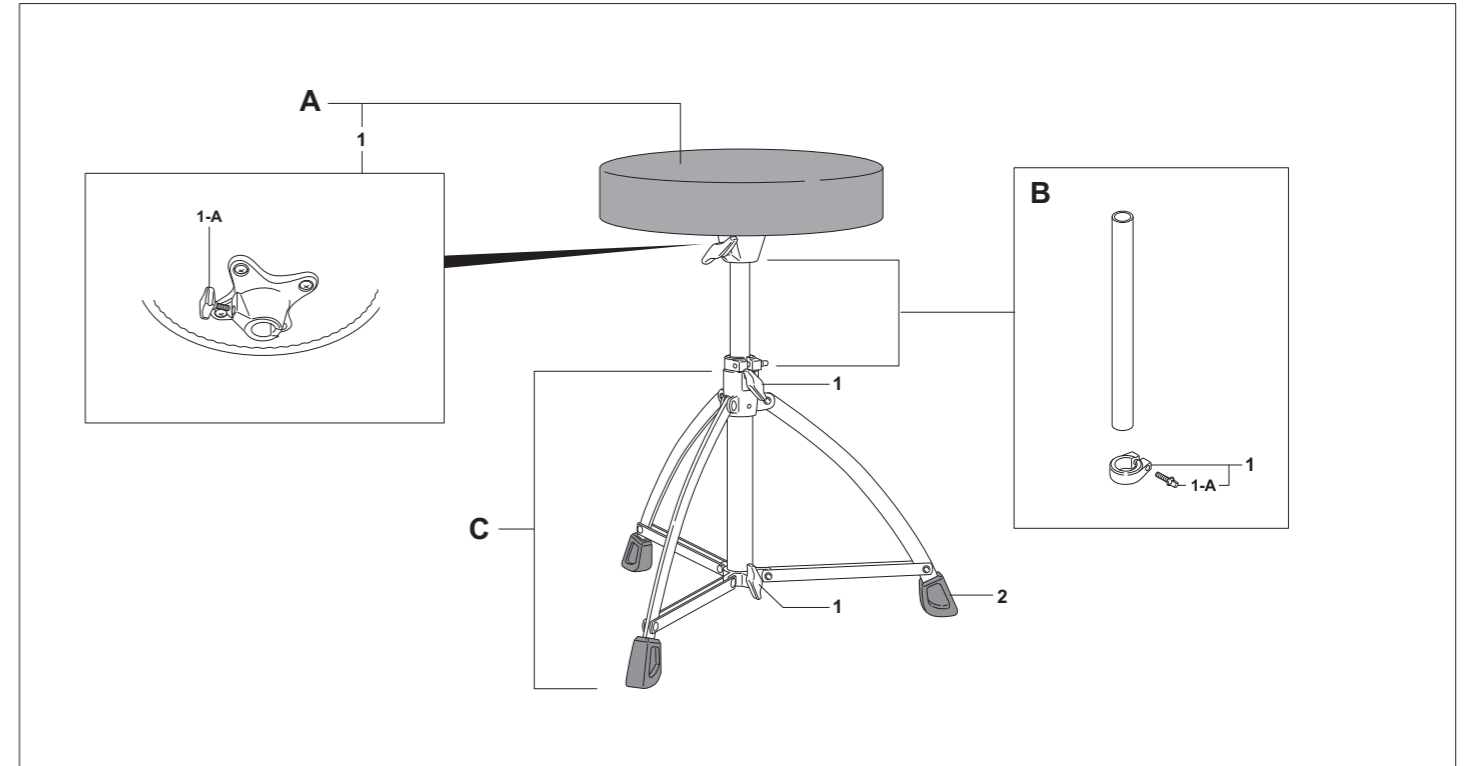


- A S-103A Basket Complete**
 1 NP-320 Rubber Sleeve (one each)
 2 PR-573 Rubber Sleeve Support Plate
 3 SC-363 Screw (one each)
 4 KB-615W Key Bolt w/Washers
 5 UGN-8L Die-Cast Wing Nut w/Washer

- B BA-S103 Base Assy. Complete**
 1 PJ-100L Die-Cast Joint Assy. Complete
 1-A NP-366 Nylon Bushing
 1-B UGN-6 Die-Cast Wing Nut w/Washer
 1-C SC-169 Clamp Bolt
 2 UGB-815SW Die-Cast Wing Bolt w/Washer
 3 RB-001 Rubber Tip (one each)

DRUM THRONES

D-730S

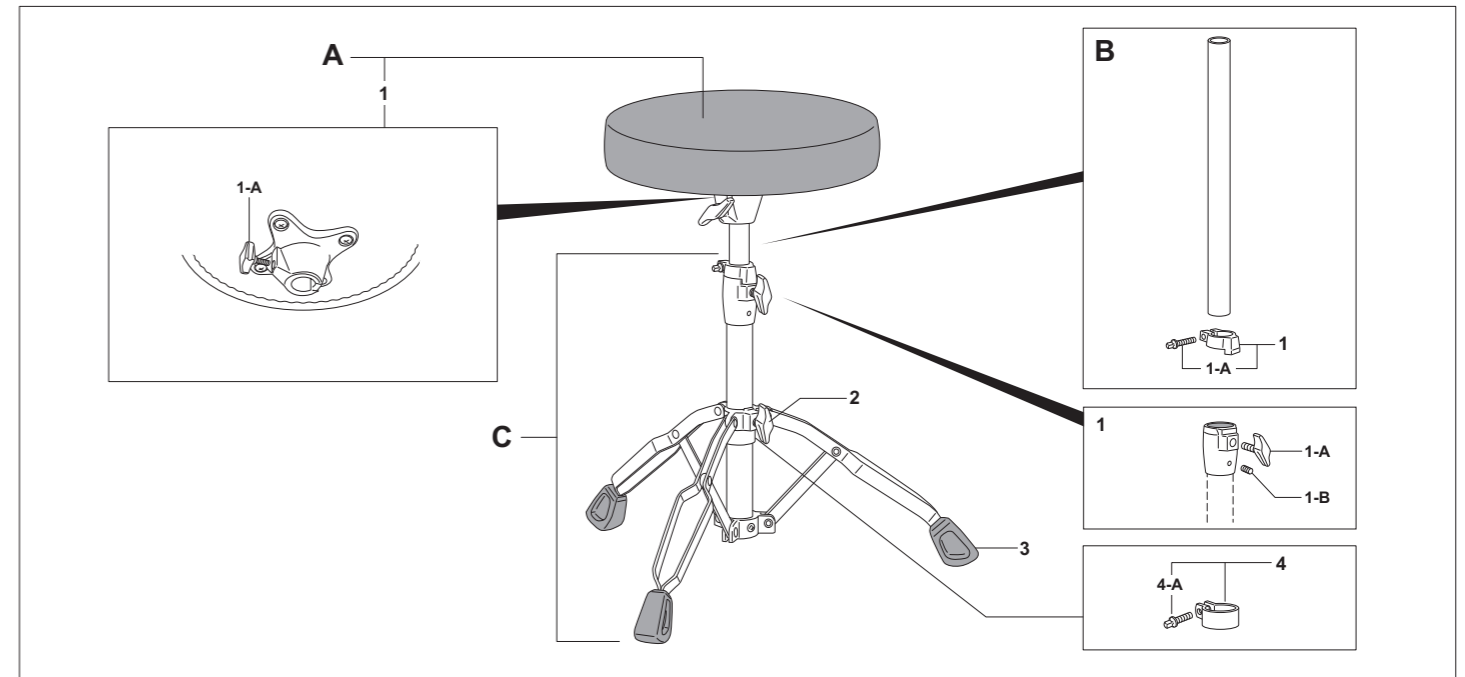


- A SEA-73A Vinyl Seat Top w/Rod Bracket**
 1 AD-026A Rod Bracket Assy. Complete
 1-A UGB-820C Die-Cast Wing Bolt

- B UT-D73 Height Adjustment Rod Assy. Complete**
 1 ZD-081HA Stop Lock Complete
 1-A KB-625 Key Bolt

- C BA-D73S Base Assy. Complete**
 1 UGB-815S Die-Cast Wing Bolt (one each)
 2 RB-016 Rubber Tip (one each)

D-790



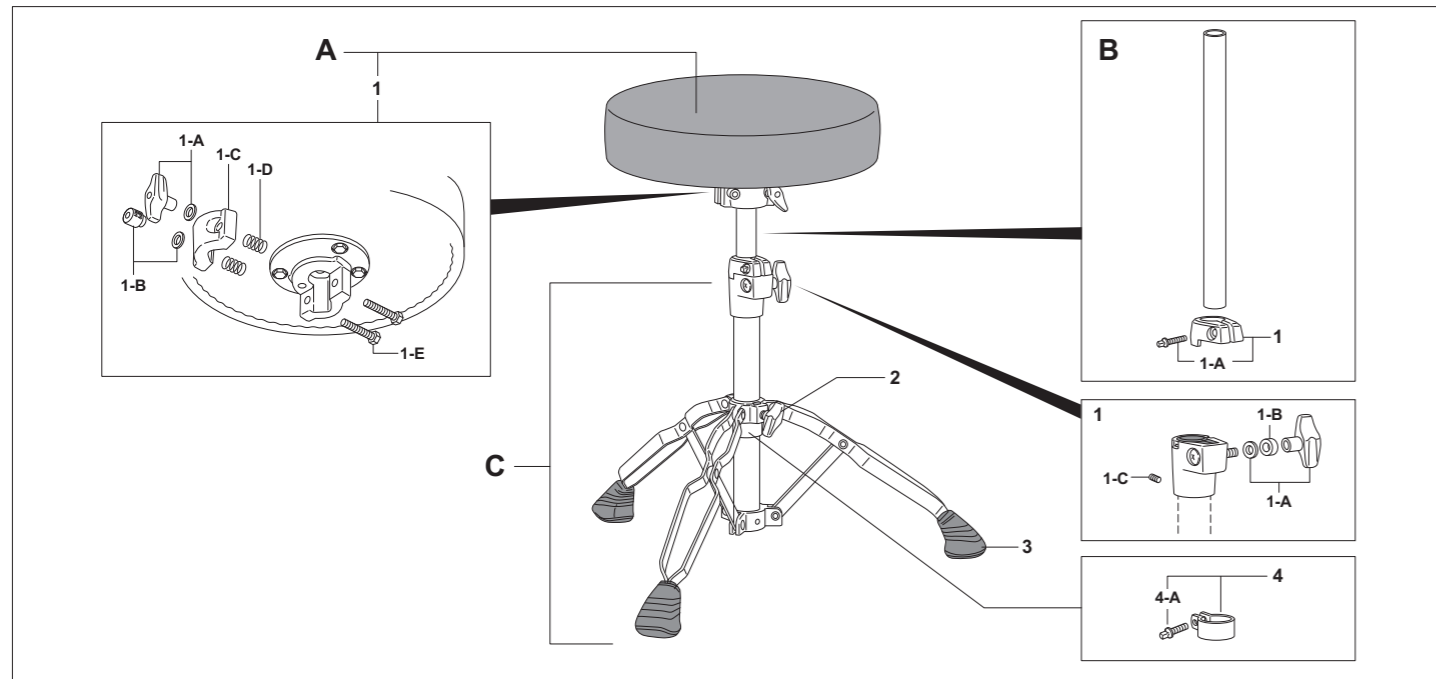
- A SEA-73A Vinyl Seat Top w/Rod Bracket**
 1 AD-026A Rod Bracket Assy. Complete
 1-A UGB-820C Die-Cast Wing Bolt

- B UT-D79 Height Adjustment Rod Assy. Complete**
 1 ZD-091A Stop Lock Complete
 1-A KB-625 Key Bolt

- C BA-D79 Base Assy. Complete**
 1 DJ-08A Die-Cast Joint Assy. Complete
 1-A UGB-815S Die-Cast Wing Bolt
 1-B SB-44 Allen Screw
 2 UGB-815S Die-Cast Wing Bolt
 3 PL-034 Rubber Tip (one each)
 4 STB-28A Stop Lock Complete
 4-A KB-615 Key Bolt

DRUM THRONES

D-930



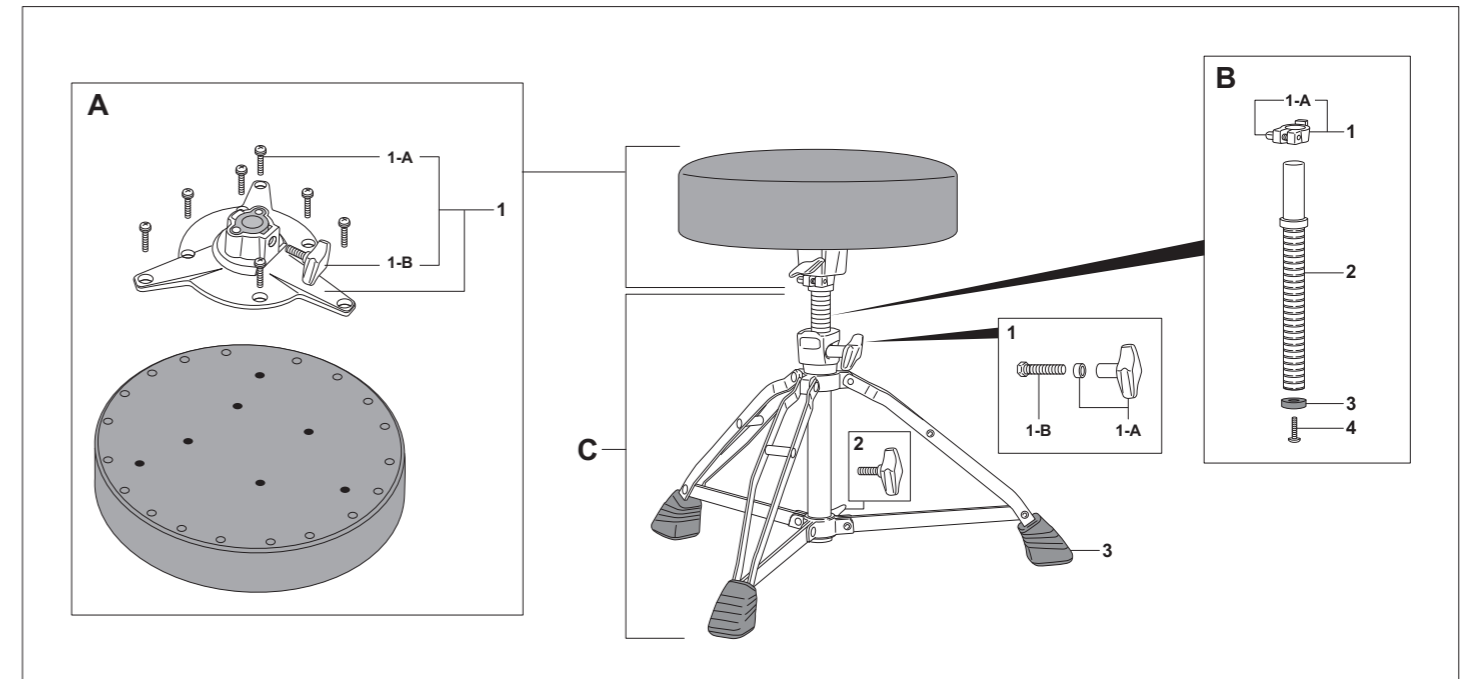
- A SEA-93A Seat Top ONLY, Vinyl w/Two-piece Bracket**
 1 RBA-900A Rod Bracket Assy. Complete
 1-A UGN-8 Die-Cast Wing Nut w/Washer
 1-B M-8RN Knurled Round Nut w/Washer
 1-C AD-009 Die-Cast Clamp
 1-D SG-006N Spring (one each)
 1-E SC-133 Clamp Bolt (one each)

- B UT-D93 Height Adjustment Rod Assy. Complete**
 1 DC-551A Stop Lock Complete
 1-A KB-625 Key Bolt

- C BA-D93 Base Assy. Complete**
 1 DC-550A Die-Cast Joint Assy. Complete
 1-A UGN-8 Die-Cast Wing Nut w/Washer
 1-B ME-661 Collar
 1-C SB-44 Allen Screw
 2 UGB-815S Die-Cast Wing Bolt
 3 RB-002 Rubber Tip (one each)
 4 STB-28A Stop Lock Complete
 4-A KB-615 Key Bolt

DRUM THRONES

D-1000SN

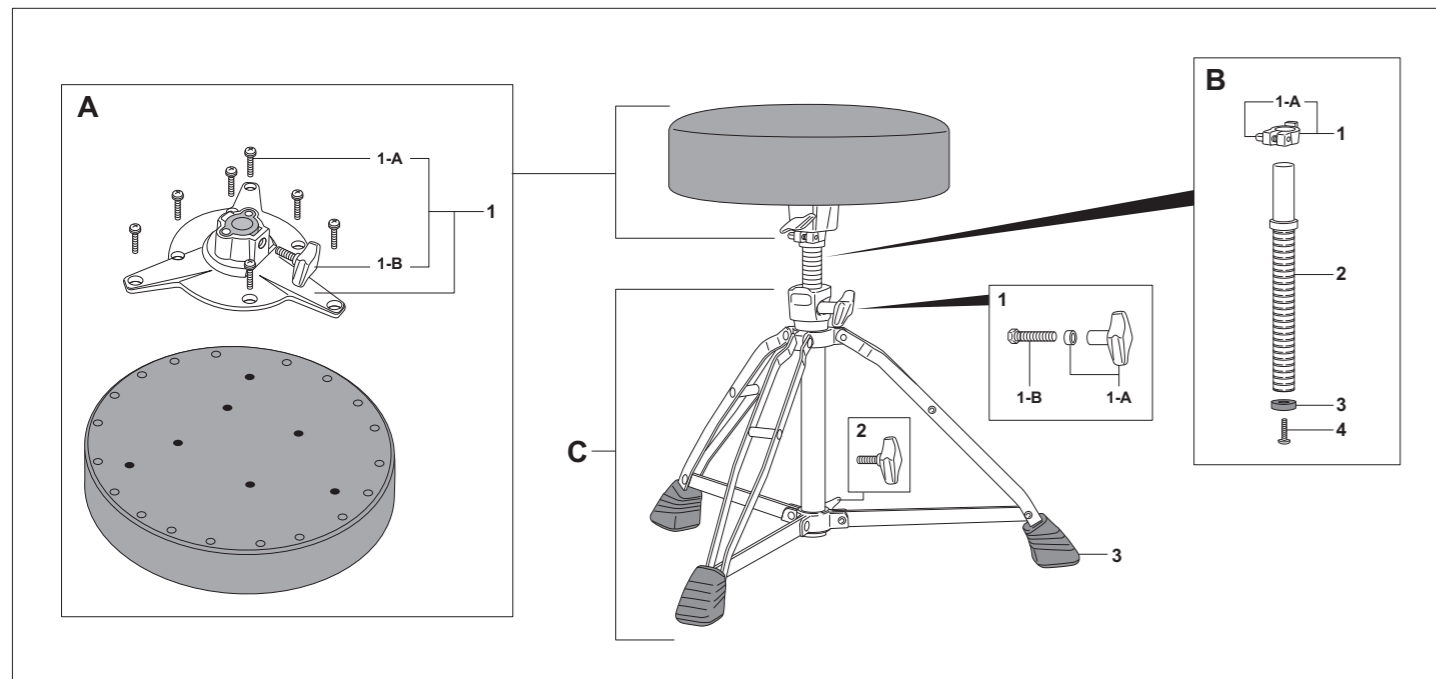


- A SE-100NNA Seat Top ONLY**
 1 DC-728AA Rod Bracket Assy. Complete
 1-A SC-437 Mounting Screw (one each)
 1-B UGB-815 Die-Cast Wing Bolt

- B ME-767A Height Adjustment Post, Complete**
 1 DC-729A Stop Lock Complete
 1-A KB-625 Key Bolt
 2 ME-767 Threaded Post
 3 NP-238N Post Stopper
 4 SC-352 Screw

- C BA-D100S Base Assy. Complete**
 1 SC-121HA Bolt & Nut Set w/Spacer
 1-A UGN-8LS Die-Cast Wing Nut w/Spacer
 1-B SC-121H Clamp Bolt
 2 UGB-815S Die-Cast Wing Bolt
 3 RB-019 Rubber Tip (one each)

D-1000N

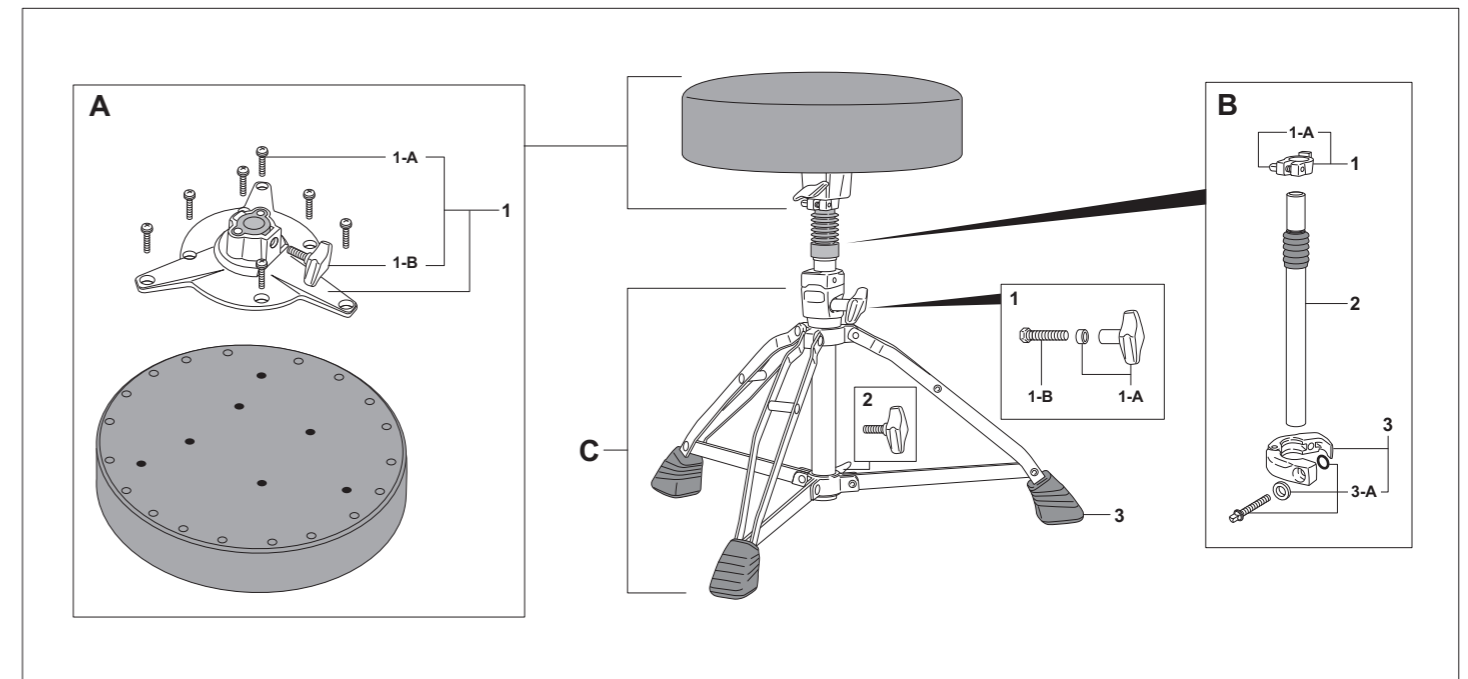


- A SE-100NNA Seat Top ONLY**
 1 DC-728AA Rod Bracket Assy. Complete
 1-A SC-437 Mounting Screw (one each)
 1-B UGB-815 Die-Cast Wing Bolt

- B ME-767A Height Adjustment Post, Complete**
 1 DC-729A Stop Lock Complete
 1-A KB-625 Key Bolt
 2 ME-767 Threaded Post
 3 NP-238N Post Stopper
 4 SC-352 Screw

- C BA-D100 Base Assy. Complete**
 1 SC-121HA Bolt & Nut Set w/Spacer
 1-A UGN-8LS Die-Cast Wing Nut w/Spacer
 1-B SC-121H Clamp Bolt
 2 UGB-815S Die-Cast Wing Bolt
 3 RB-019 Rubber Tip (one each)

D-1000SPN



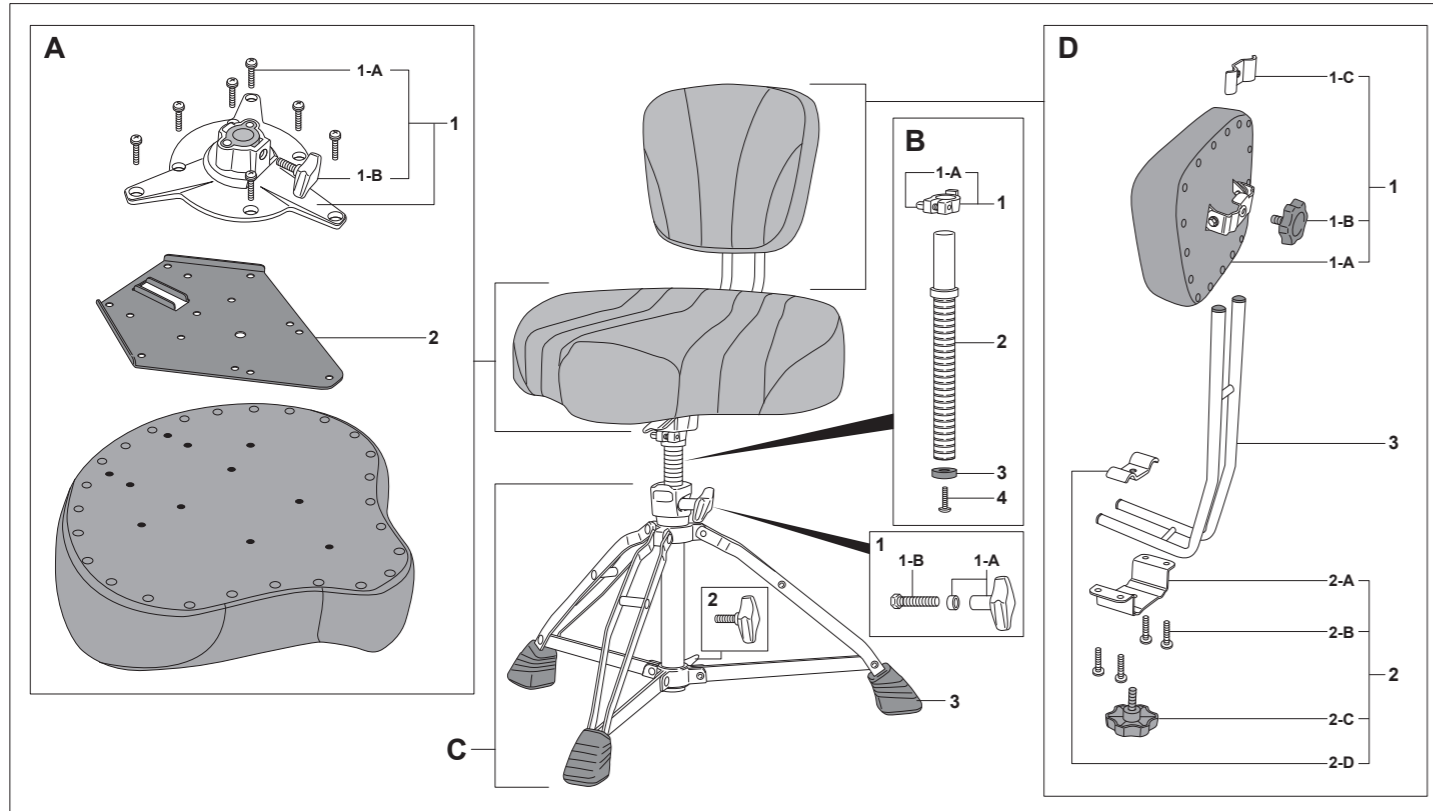
- A SE-100NNA Seat Top ONLY**
 1 DC-728AA Rod Bracket Assy. Complete
 1-A SC-437 Mounting Screw (one each)
 1-B UGB-815 Die-Cast Wing Bolt

- B SAP-100A Shock Absorber Post, Complete**
 1 DC-729A Stop Lock Complete
 1-A KB-625 Key Bolt
 2 SAP-100 Shock Absorber Post ONLY
 3 DC-580A Stop Lock Complete
 3-A KB-625WO Key Bolt w/Washer & O-Ring

- C BA-D100SP Base Assy. Complete**
 1 SC-121HA Bolt & Nut Set w/Spacer
 1-A UGN-8LS Die-Cast Wing Nut w/Spacer
 1-B SC-121H Clamp Bolt
 2 UGB-815S Die-Cast Wing Bolt
 3 RB-019 Rubber Tip (one each)

DRUM THRONES

D-2500BR / 2500



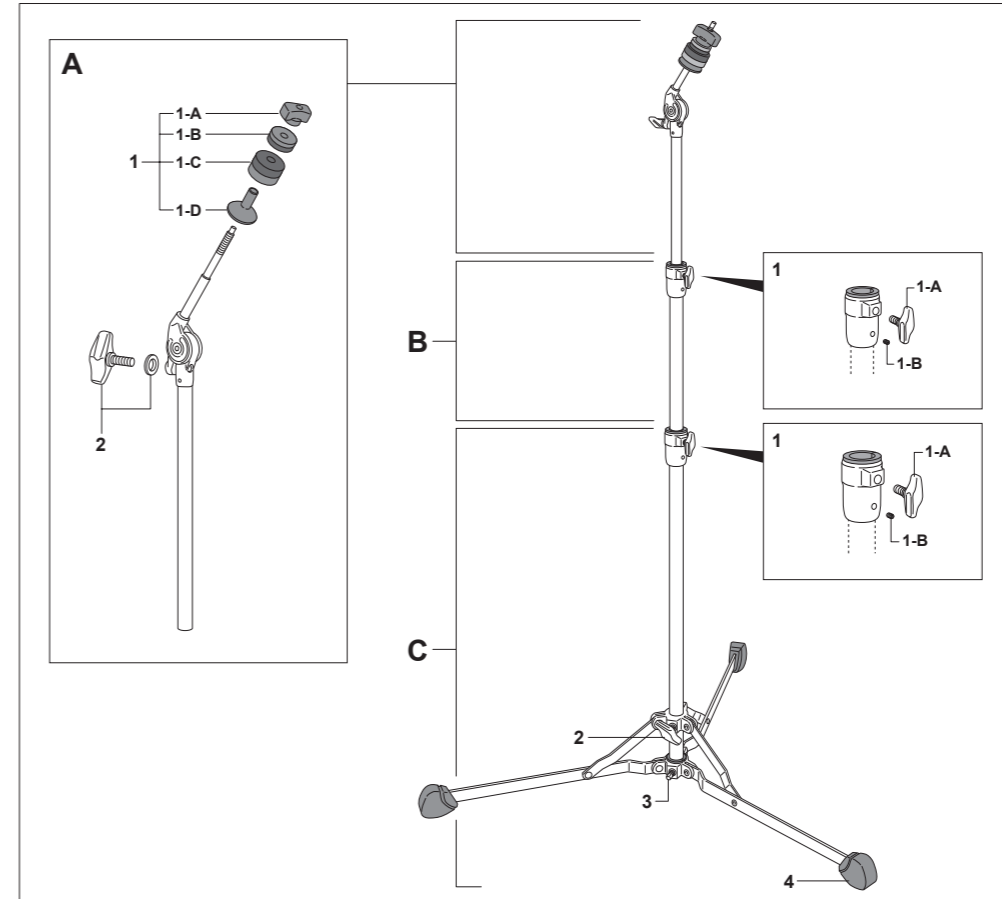
- A SE-250A Seat Top ONLY for D-2500BR / D-2500**
 1 DC-728AA Rod Bracket Assy. Complete
 1-A SC-437 Mounting Screw (one each)
 1-B UGB-815 Die-Cast Wing Bolt
 2 PR-689 Back Rest Attachment Plate
B ME-767A Height Adjustment Post, Complete
 1 DC-729A Stop Lock Complete
 1-A KB-625 Key Bolt
 2 ME-767 Threaded Post
 3 NP-238N Post Stopper
 4 SC-352 Screw

- C BA-D100 Base Assy. Complete**
 1 SC-121HA Bolt & Nut Set w/Spacer
 1-A UGN-8LS Die-Cast Wing Nut w/Spacer
 1-B SC-121H Clamp Bolt
 2 UGB-815S Die-Cast Wing Bolt
 3 RB-019 Rubber Tip (one each)

- D BR-2500A Back Rest ONLY for D-2500BR**
 1 NP-423BNB Back Rest Cushion Assy. Complete
 1-A NP-423BNA Back Rest Cushion ONLY
 1-B NP-389L Adjustment Bolt
 1-C PR-685 Metal Clamp Plate
 2 PR-687A Back Rest Bracket Assy.
 2-A PR-687 Back Rest Bracket
 2-B SC-437 Mounting Screw (one each)
 2-C NP-389L Adjustment Bolt
 2-D PR-685 Metal Clamp Plate
 3 PP-216 Back Rest Tube

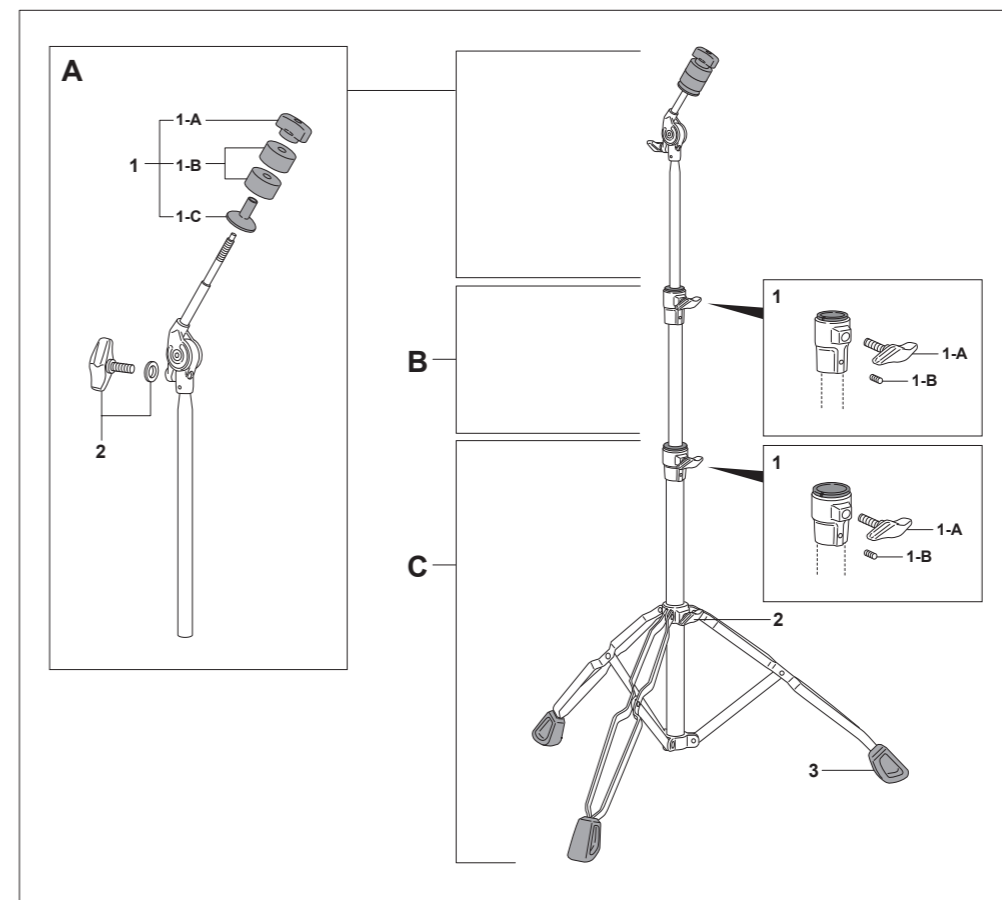
CYMBAL STANDS

C-150S



- A UT-C15S Upper Tube Assy. Complete**
 1 UTS-15S Upper Tilter Section Complete
 1-A PL-010 Plastic Cymbal Nut
 1-B FLW-006 Top Reversible Felt/Foam Washer
 1-C FLW-005 Bottom Reversible Felt/Foam Washer
 1-D PL-011 Cymbal Seat Cup
 2 UGB-830TW Die-Cast Wing Bolt w/Washer
B CT-C15S Center Tube Assy. Complete
 1 PJ-45 Die-Cast Joint Assy. Complete
 1-A UGB-815S Die-Cast Wing Bolt
 1-B SB-44 Allen Screw
C BA-C15S Base Assy. Complete
 1 PJ-60 Die-Cast Joint Assy. Complete
 1-A UGB-815S Die-Cast Wing Bolt
 1-B SB-44 Allen Screw
 2 UGB-815S Die-Cast Wing Bolt
 3 KB-814 Key Bolt
 4 NP-454N Rubber Tip (one each)

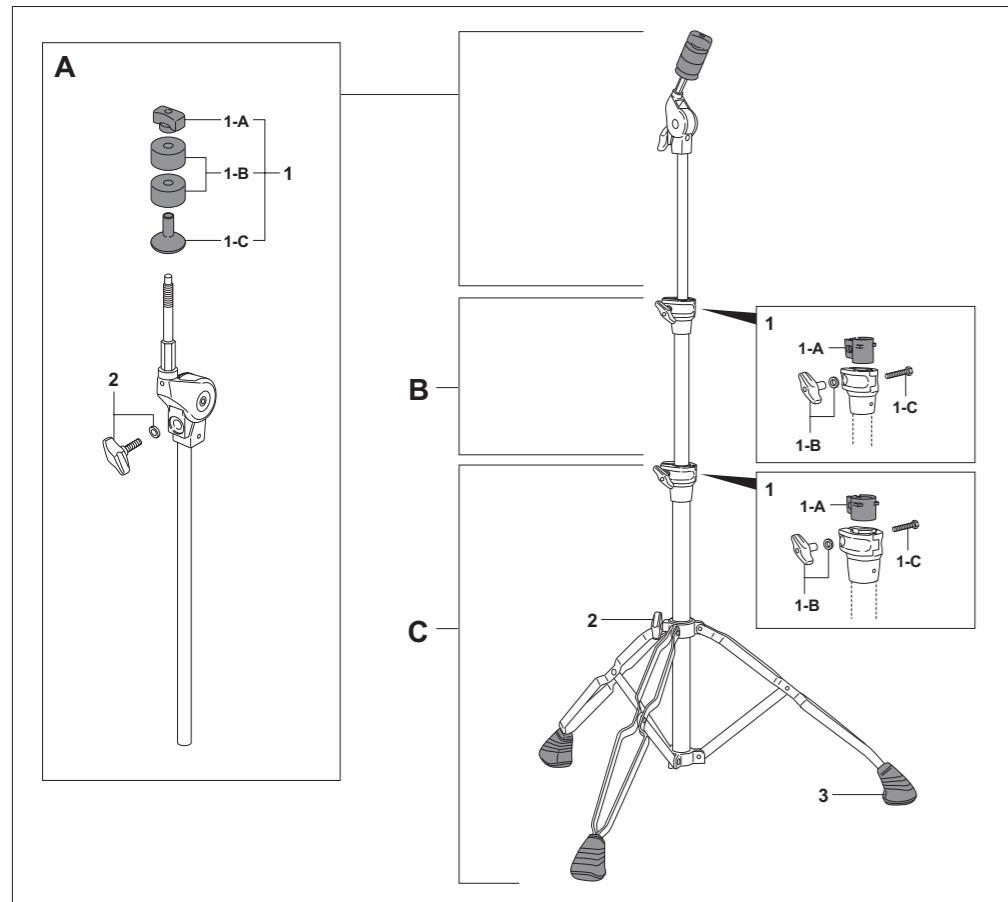
C-830



- A UT-C83 Upper Tube Assy. Complete**
 1 UTS-83 Upper Tilter Section Complete
 1-A PL-010 Plastic Cymbal Nut
 1-B FLW-004 Felt Washer (one each)
 1-C PL-011 Cymbal Seat Cup
 2 UGB-830TW Die-Cast Wing Bolt w/Washer
B CT-83 Center Tube Assy. Complete
 1 PJ-83S Die-Cast Joint Assy. Complete
 1-A UGB-815S Die-Cast Wing Bolt
 1-B SB-44 Allen Screw
C BA-83 Base Assy. Complete
 1 PJ-83L Die-Cast Joint Assy. Complete
 1-A UGB-815S Die-Cast Wing Bolt
 1-B SB-44 Allen Screw
 2 UGB-815S Die-Cast Wing Bolt
 3 RB-022 Rubber Tip (one each)

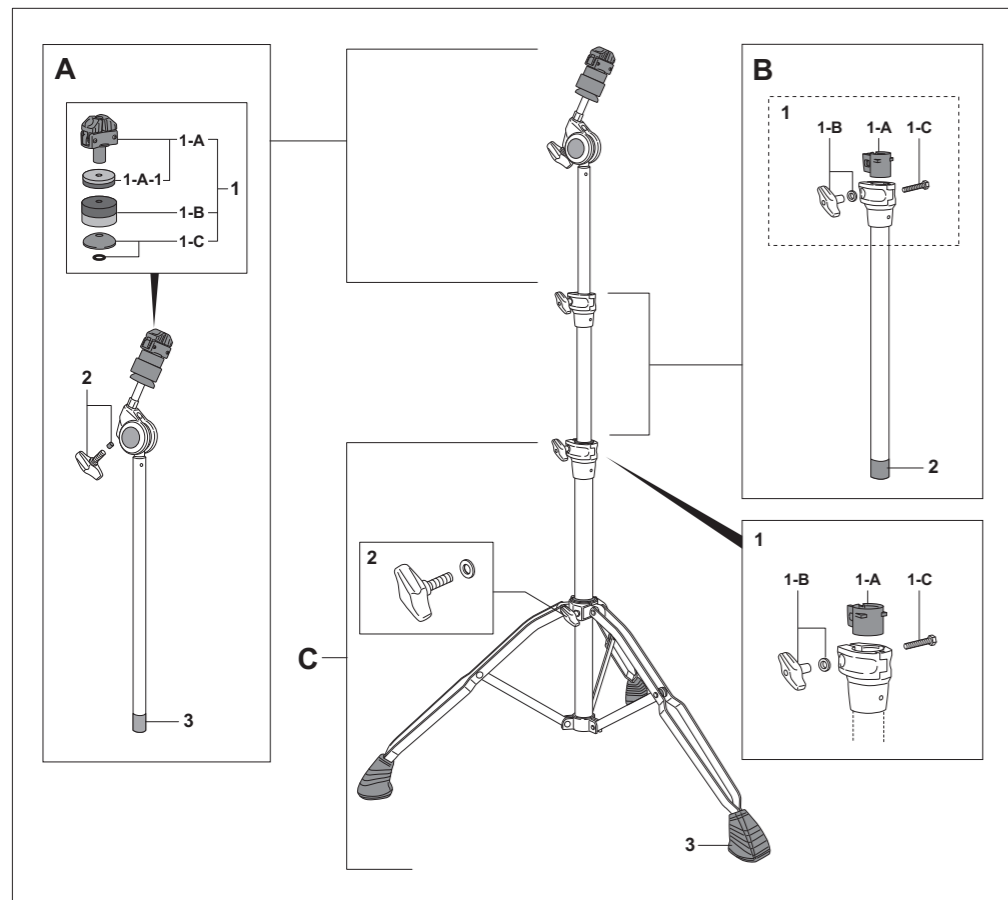
CYMBAL STANDS

C-930



- A UT-C93 Upper Tube Assy. Complete**
 1 UTS-93 Upper Tilter Section Complete
 1-A PL-010 Plastic Cymbal Nut
 1-B FLW-001 Felt Washer (one each)
 1-C PL-011 Cymbal Seat Cup
 2 UGB-830W Die-Cast Wing Bolt w/Washer
- B CT-93 Center Tube Assy. Complete**
 1 PJ-100S Die-Cast Joint Assy. Complete
 1-A NP-367 Nylon Bushing
 1-B UGN-6 Die-Cast Wing Nut w/Washer
 1-C SC-169 Clamp Bolt
- C BA-93 Base Assy. Complete**
 1 PJ-100L Die-Cast Joint Assy. Complete
 1-A NP-366 Nylon Bushing
 1-B UGN-6 Die-Cast Wing Nut w/Washer
 1-C SC-169 Clamp Bolt
 2 UGB-815S Die-Cast Wing Bolt
 3 RB-008 Rubber Tip (one each)

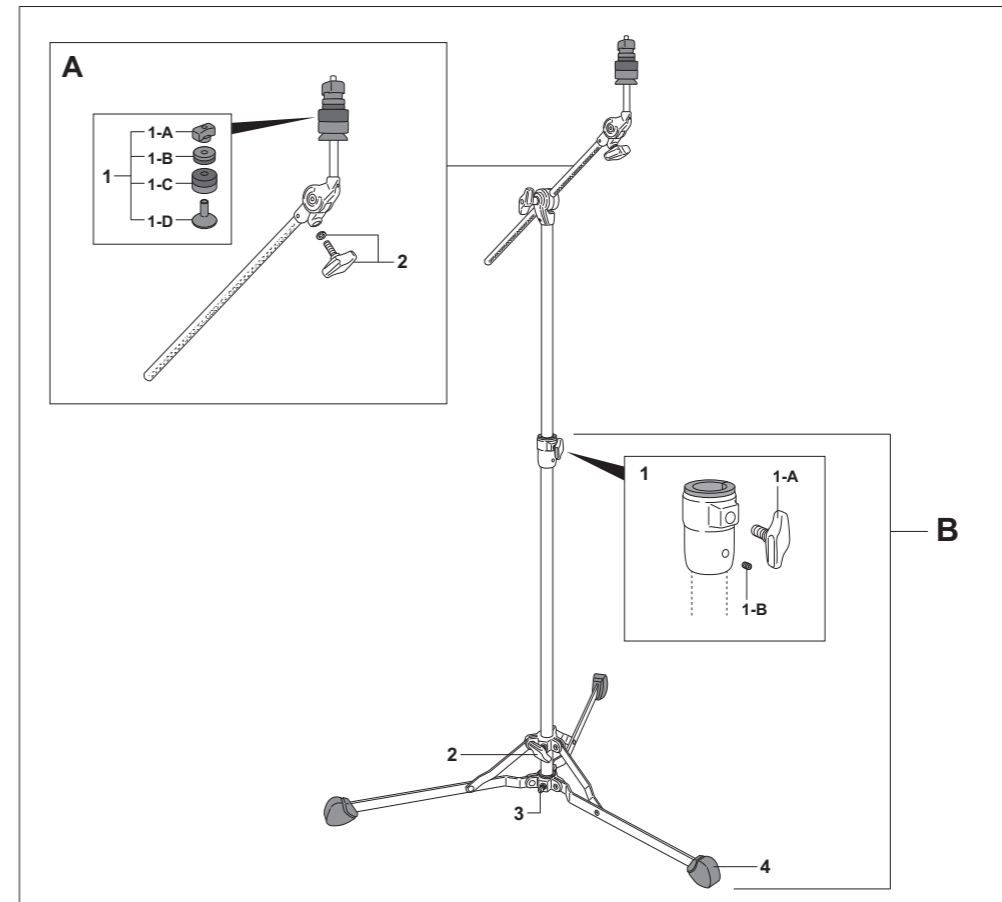
C-1030



- A UT-C103 Upper Tube Assy. Complete**
 1 WL-230A WingLoc Assy. Complete
 1-A WL-230 WingLoc Quick Release Wing Nut w/Reversible Felt/Foam Washer
 1-A-1 FLW-006 Top Reversible Felt/Foam Washer
 1-B FLW-005 Bottom Reversible Felt/Foam Washer
 1-C RC-20 Reversible Seat Cup w/O-Ring
 2 UGB-815P Die-Cast Wing Bolt w/Pin
 3 NP-375 Plastic Tip
- B CT-103 Center Tube Assy. Complete**
 1 PJ-100S Die-Cast Joint Assy. Complete
 1-A NP-367 Nylon Bushing
 1-B UGN-6 Die-Cast Wing Nut w/Washer
 1-C SC-169 Clamp Bolt
 2 NP-376 Plastic Tip
- C BA-103 Base Assy. Complete**
 1 PJ-100L Die-Cast Joint Assy. Complete
 1-A NP-366 Nylon Bushing
 1-B UGN-6 Die-Cast Wing Nut w/Washer
 1-C SC-169 Clamp Bolt
 2 UGB-815SW Die-Cast Wing Bolt w/Washer
 3 RB-001 Rubber Tip (one each)

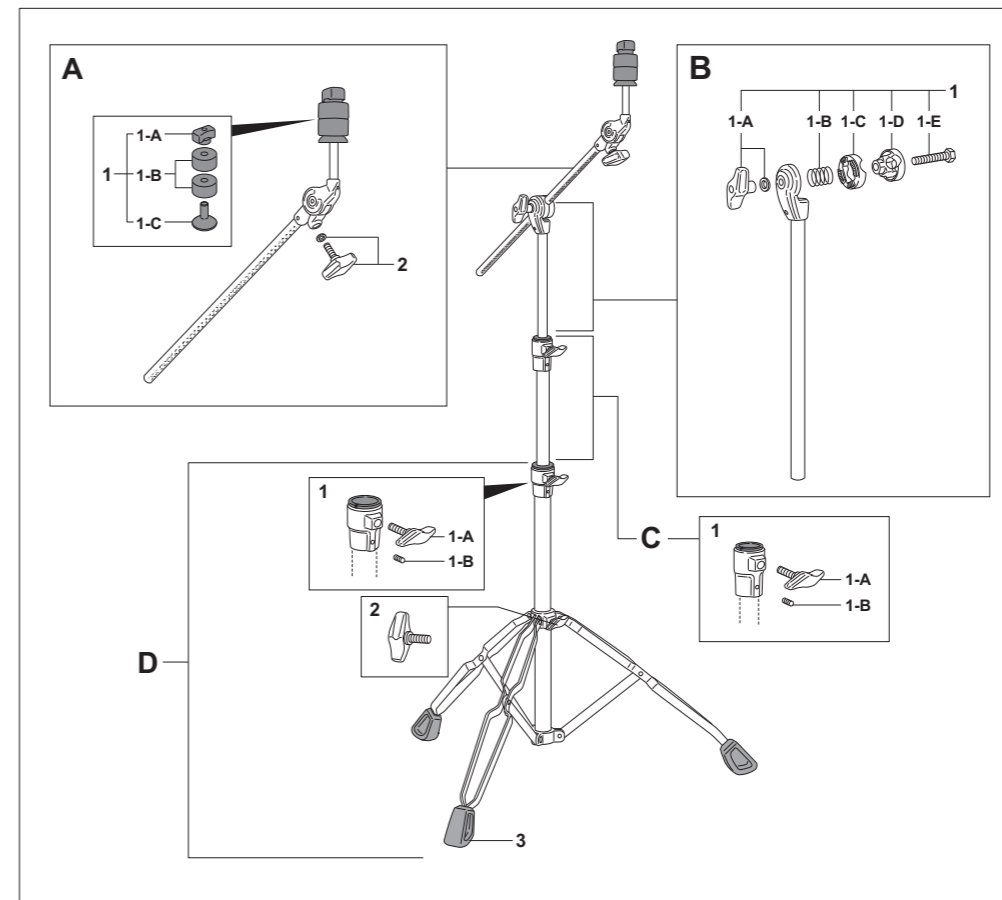
CYMBAL BOOM STANDS

BC-150S



- A AA-BC15S Boom Assy. Complete**
 1 UTS-15S Upper Tilter Section Complete
 1-A PL-010 Plastic Cymbal Nut
 1-B FLW-006 Top Reversible Felt/Foam Washer
 1-C FLW-005 Bottom Reversible Felt/Foam Washer
 1-D PL-011 Cymbal Seat Cup
 2 UGB-830TW Die-Cast Wing Bolt w/Washer
- B BA-BC15S Base Assy. Complete**
 1 PJ-60 Die-Cast Joint Assy. Complete
 1-A UGB-815S Die-Cast Wing Bolt
 1-B SB-44 Allen Screw
 2 UGB-815S Die-Cast Wing Bolt
 3 KB-814 Key Bolt
 4 NP-454N Rubber Tip (one each)

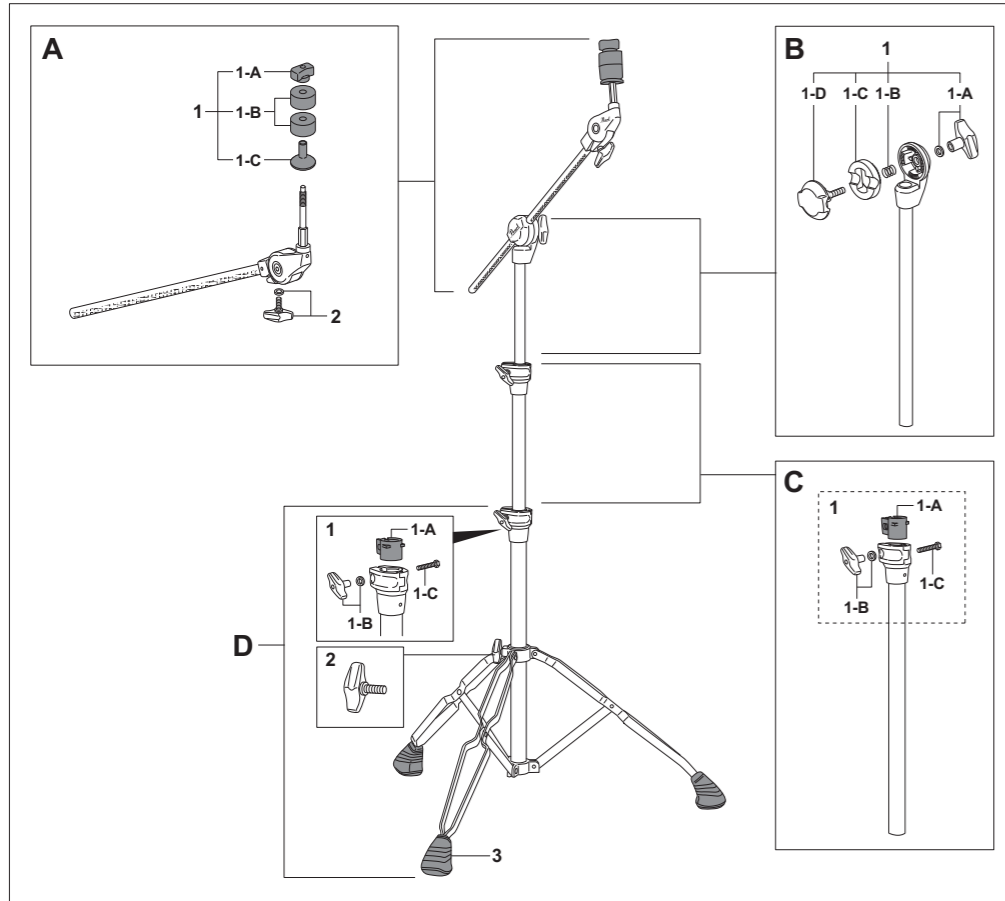
BC-830



- A AA-BC83 Boom Assy. Complete**
 1 UTS-83 Upper Tilter Section Complete
 1-A PL-010 Plastic Cymbal Nut
 1-B FLW-004 Felt Washer (one each)
 1-C PL-011 Cymbal Seat Cup
 2 UGB-830TW Die-Cast Wing Bolt w/Washer
- B UT-BC83 Upper Tube Assy. Complete**
 1 BC-BC83 Boom Clamp Assy. Complete
 1-A UGN-8T Die-Cast Wing Nut w/Washer
 1-B SG-001 Spring
 1-C ZD-118 Clamp Gear Link
 1-D ZD-119 Boom Clamp
 1-E SC-471 Boom Clamp Bolt
- C CT-83 Center Tube Assy. Complete**
 1 PJ-83S Die-Cast Joint Assy. Complete
 1-A UGB-815S Die-Cast Wing Bolt
 1-B SB-44 Allen Screw
- D BA-83 Base Assy. Complete**
 1 PJ-83L Die-Cast Joint Assy. Complete
 1-A UGB-815S Die-Cast Wing Bolt
 1-B SB-44 Allen Screw
 2 UGB-815S Die-Cast Wing Bolt
 3 RB-022 Rubber Tip (one each)

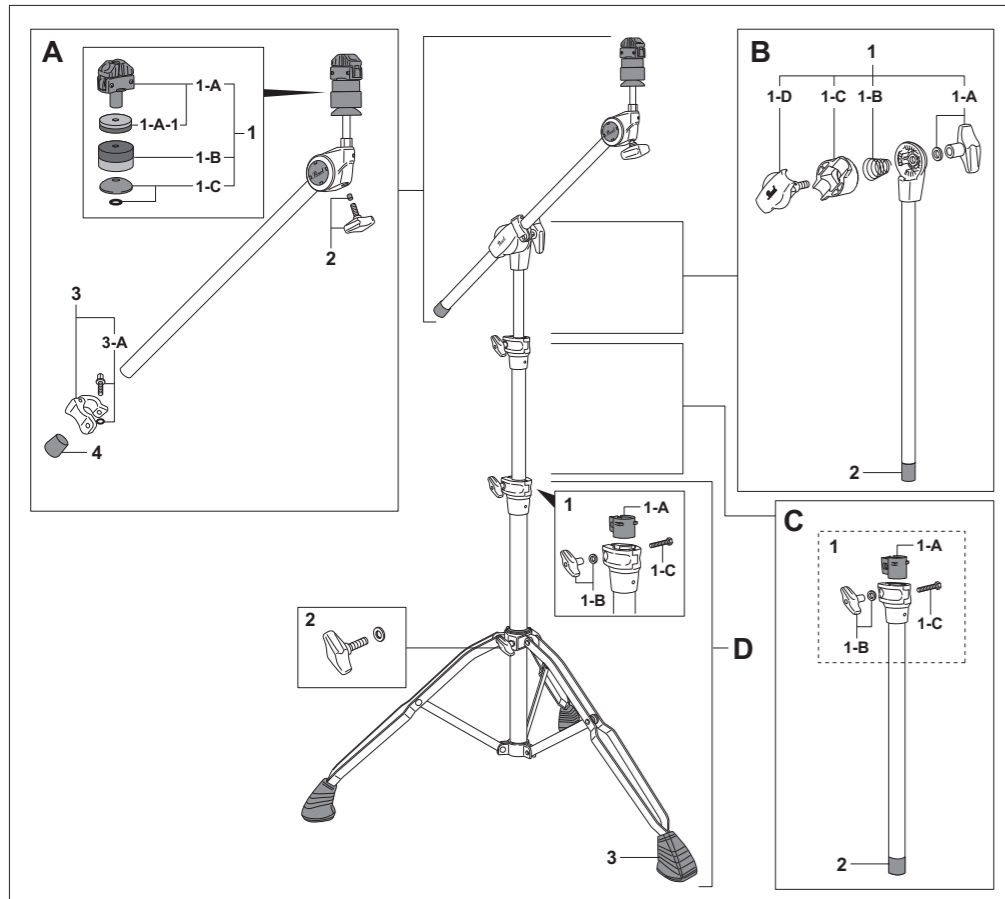
CYMBAL BOOM STANDS

BC-930



- A AA-BC90 Boom Assy. Complete**
 1 UTS-93 Upper Tilter Section Complete
 1-A PL-010 Plastic Cymbal Nut
 1-B FLW-001 Felt Washer (one each)
 1-C PL-011 Cymbal Seat Cup
 2 UGB-830W Die-Cast Wing Bolt w/Washer
- B UT-BC89 Upper Tube Assy. Complete**
 1 BC-BC90 Boom Clamp Assy. Complete
 1-A UGN-8 Die-Cast Wing Nut w/Washer
 1-B SG-001 Spring
 1-C ZD-018N Clamp Gear Link
 1-D ZD-019A Boom Clamp Bolt
- C CT-93 Center Tube Assy. Complete**
 1 PJ-100S Die-Cast Joint Assy. Complete
 1-A NP-367 Nylon Bushing
 1-B UGN-6 Die-Cast Wing Nut w/Washer
 1-C SC-169 Clamp Bolt
- D BA-93 Base Assy. Complete**
 1 PJ-100L Die-Cast Joint Assy. Complete
 1-A NP-366 Nylon Bushing
 1-B UGN-6 Die-Cast Wing Nut w/Washer
 1-C SC-169 Clamp Bolt
 2 UGB-815S Die-Cast Wing Bolt
 3 RB-008 Rubber Tip (one each)

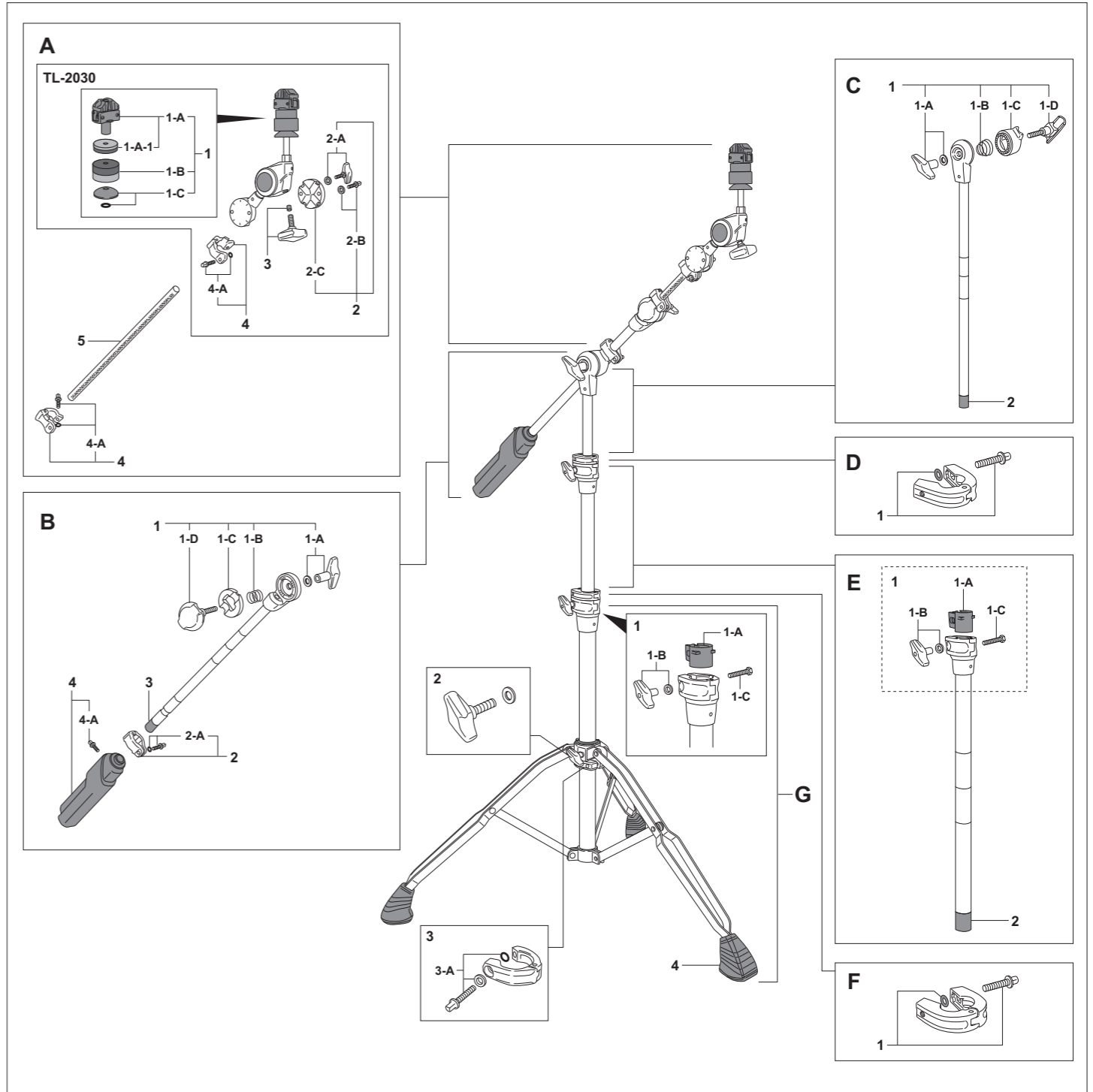
B-1030



- A AA-B103 Boom Assy. Complete**
 1 WL-230A WingLoc Assy. Complete
 1-A WL-230 WingLoc Quick Release Wing Nut w/Reversible Felt/Foam Washer
 1-A-1 FLW-006 Top Reversible Felt/Foam Washer
 1-B FLW-005 Bottom Reversible Felt/Foam Washer
 1-C RC-20 Reversible Seat Cup w/O-Ring
 2 UGB-815P Die-Cast Wing Bolt w/Pin
 3 DC-625A Stop Lock Complete
 3-A KB-615O Key Bolt w/O-Ring
 4 NP-71 Plastic Tip
- B UT-B103 Upper Tube Assy. Complete**
 1 BC-BC203 Boom Clamp Assy. Complete
 1-A UGN-8L Die-Cast Wing Nut w/Washer
 1-B SG-007N Spring
 1-C ZD-129 Clamp Gear Link
 1-D ZD-128A Boom Clamp Bolt
 2 NP-375 Plastic Tip
- C CT-103 Center Tube Assy. Complete**
 1 PJ-100S Die-Cast Joint Assy. Complete
 1-A NP-367 Nylon Bushing
 1-B UGN-6 Die-Cast Wing Nut w/Washer
 1-C SC-169 Clamp Bolt
 2 NP-376 Plastic Tip
- D BA-103 Base Assy. Complete**
 1 PJ-100L Die-Cast Joint Assy. Complete
 1-A NP-366 Nylon Bushing
 1-B UGN-6 Die-Cast Wing Nut w/Washer
 1-C SC-169 Clamp Bolt
 2 UGB-815SW Die-Cast Wing Bolt w/Washer
 3 RB-001 Rubber Tip (one each)

CYMBAL BOOM STANDS

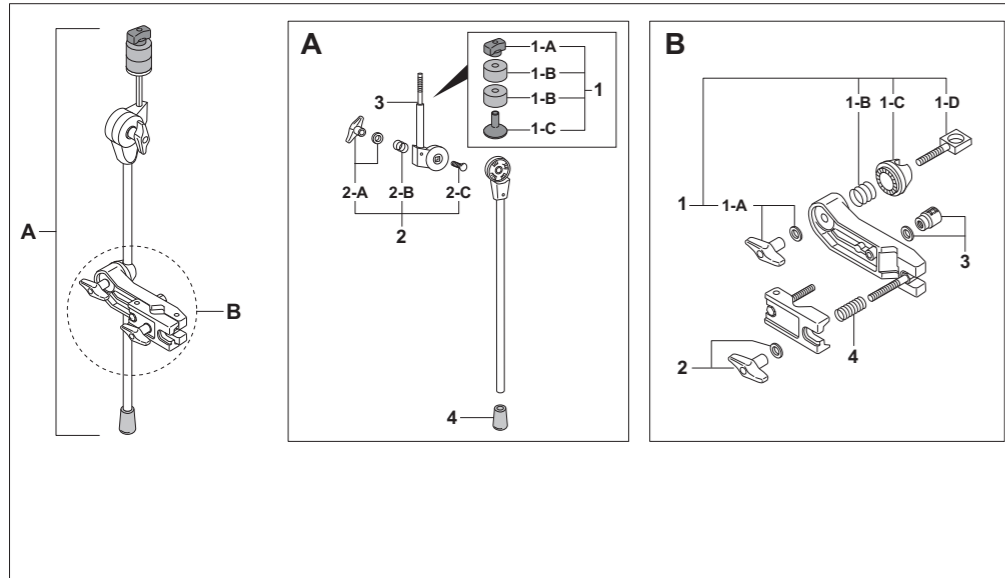
BC-2030



- A UB-BC203 Upper Boom Assy. Complete**
 1 WL-230A WingLoc Assy. Complete
 1-A WL-230 WingLoc Quick Release Wing Nut w/Reversible Felt/Foam Washer
 1-A-1 FLW-006 Top Reversible Felt/Foam Washer
 1-B FLW-005 Bottom Reversible Felt/Foam Washer
 1-C RC-20 Reversible Seat Cup w/O-Ring
 2 DC-634AN Clamp Assy. Complete
 2-A UGB-620W Die-Cast Wing Bolt w/Washer
 2-B KB-620W Key Bolt w/Washer
 2-C DC-634N Clamp Plate
 3 UGB-815P Die-Cast Wing Bolt w/Pin
 4 DC-627AN Stop Lock Complete (one set)
 4-A KB-615O Key Bolt w/O-Ring
 5 ME-651N Knurled Boom Arm
- B LB-BC203 Lower Boom Assy. Complete**
 1 BC-BC90 Boom Clamp Assy. Complete
 1-A UGN-8 Die-Cast Wing Nut w/Washer
 1-B SG-001 Spring
 1-C ZD-018N Clamp Gear Link
 1-D ZD-019A Boom Clamp Bolt
 2 DC-625A Stop Lock Complete
 2-A KB-615O Key Bolt w/O-Ring
 3 NP-430 Plastic Tip
 4 NP-373A Boom Arm Counterweight w/Key Bolt
 4-A KB-615 Key Bolt
- C UT-BC203 Upper Tube Assy. Complete**
 1 BC-BC203 Boom Clamp Assy. Complete
 1-A UGN-8L Die-Cast Wing Nut w/Washer
 1-B SG-007N Spring
 1-C ZD-129 Clamp Gear Link
 1-D ZD-128A Boom Clamp Bolt
 2 NP-375 Plastic Tip
- D ZD-106A Stop Lock Complete**
 1 KB-625O Key Bolt w/O-Ring
- E CT-203 Center Tube Assy. Complete**
 1 PJ-100S Die-Cast Joint Assy. Complete
 1-A NP-367 Nylon Bushing
 1-B UGN-6 Die-Cast Wing Nut w/Washer
 1-C SC-169 Clamp Bolt
 2 NP-376 Plastic Tip
- F ZD-104A Stop Lock Complete**
 1 KB-625O Key Bolt w/O-Ring
- G BA-203 Base Assy. Complete**
 1 PJ-100L Die-Cast Joint Assy. Complete
 1-A NP-366 Nylon Bushing
 1-B UGN-6 Die-Cast Wing Nut w/Washer
 1-C SC-169 Clamp Bolt
 2 UGB-815SW Die-Cast Wing Bolt w/Washer
 3 DC-582A Stop Lock Complete
 3-A KB-625WO Key Bolt w/Washer & O-Ring
 4 RB-001 Rubber Tip (one each)

CYMBAL HOLDERS

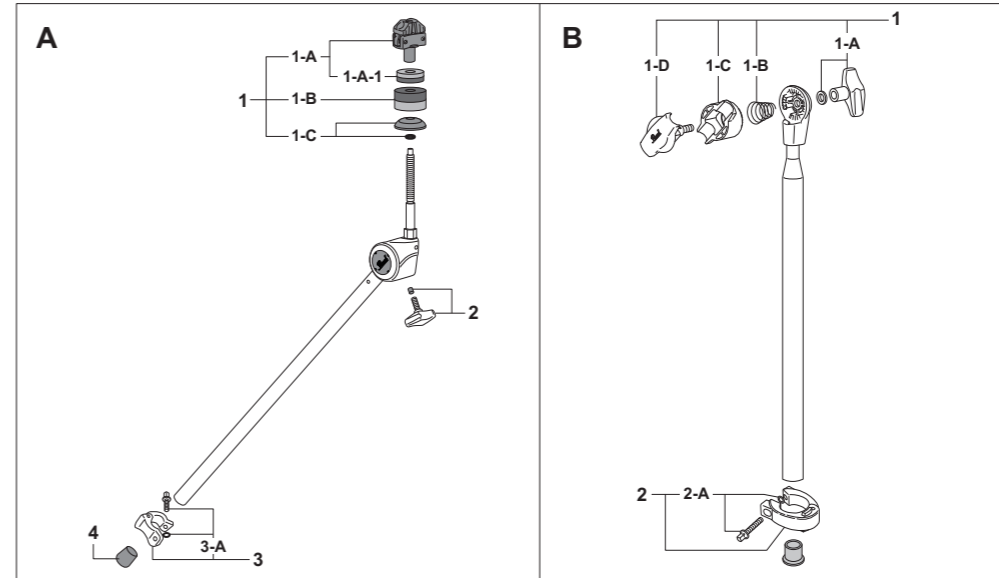
CH-70



- A AA-CH70 Boom Assy. Complete**
 1 UTS-83 Upper Tilter Section Complete
 1-A PL-010 Plastic Cymbal Nut
 1-B FLW-004 Felt Washer (one each)
 1-C PL-011 Cymbal Seat Cup
 2 SN-800A Bolt & Nut Set w/Spring
 2-A UGN-8 Die-Cast Wing Nut w/Washer
 2-B SG-001 Spring
 2-C SC-36B-ED Clamp Bolt
 3 ZD-072A Tilter Unit
 4 NP-72 Plastic Tip
- B CA-70A Clamp Assy. Complete**
 1 BC-70AN Boom Clamp Assy. Complete
 1-A UGN-8 Die-Cast Wing Nut w/Washer
 1-B SG-001 Spring
 1-C DC-335 Clamp Gear Link
 1-D ME-67 Boom Clamp Bolt
 2 UGN-8 Die-Cast Wing Nut w/Washer
 3 M-8RN Knurled Round Nut w/Washer
 4 SG-009 Spring

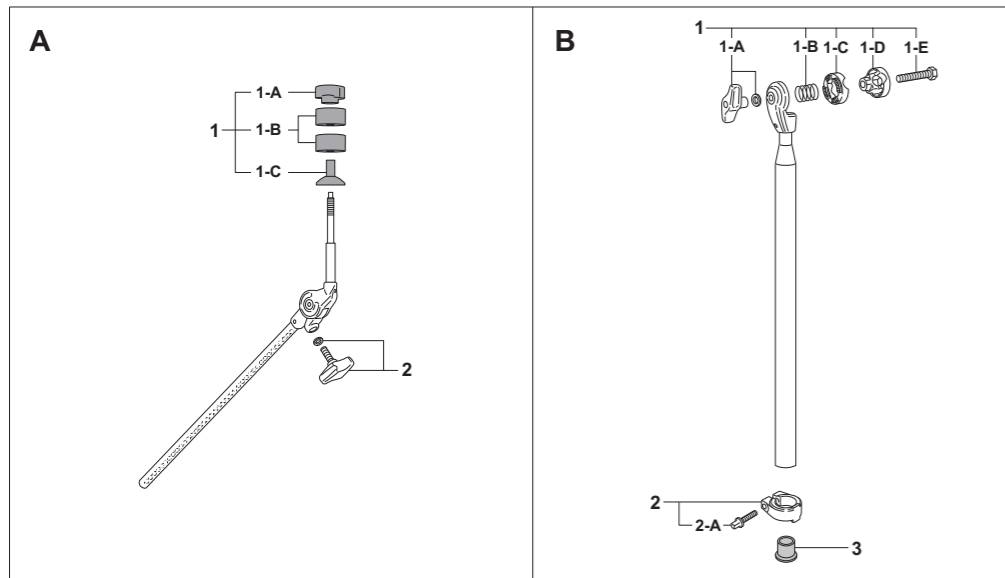
CYMBAL HOLDERS

CH-1030B



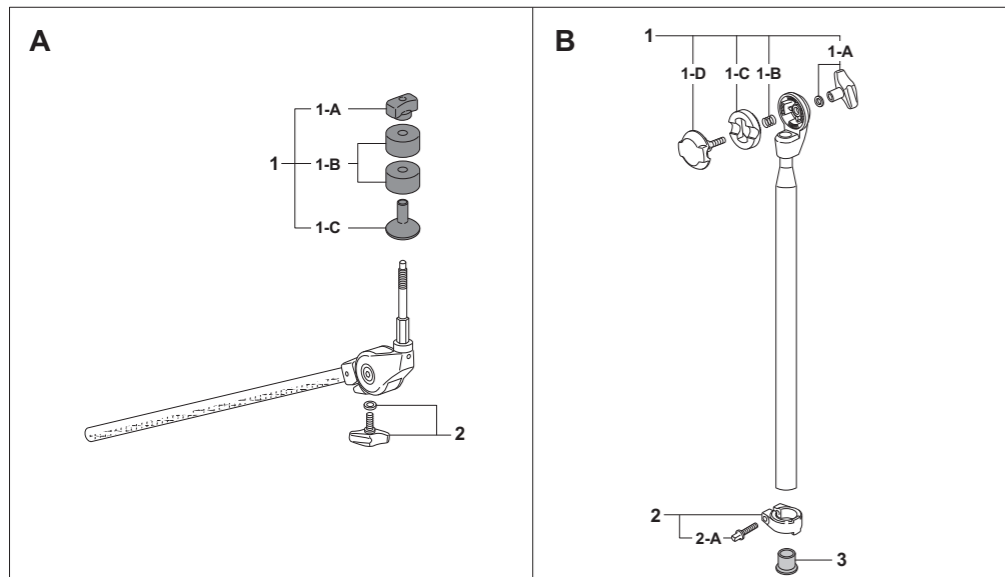
- A AA-B103 Boom Assy. Complete**
 1 WL-230A WingLoc Assy. Complete
 1-A WL-230 WingLoc Quick Release Wing Nut w/Reversible Felt/Foam Washer
 1-A-1 FLW-006 Top Reversible Felt/Foam Washer
 1-B FLW-005 Bottom Reversible Felt/Foam Washer
 1-C RC-20 Reversible Seat Cup w/O-Ring
 2 UGB-815P Die-Cast Wing Bolt w/Pin
 3 DC-625A Stop Lock Complete
 3-A KB-615O Key Bolt w/O-Ring
 4 NP-71 Plastic Tip
- B UT-CH103B Tube Assy. Complete**
 1 BC-BC203 Boom Clamp Assy. Complete
 1-A UGN-8L Die-Cast Wing Nut w/Washer
 1-B SG-007N Spring
 1-C ZD-129 Clamp Gear Link
 1-D ZD-128A Boom Clamp Bolt
 2 RSP-22TN Stop Lock Complete
 2-A KB-625O Key Bolt w/O-Ring
 3 NP-164 Plastic End Cap

CH-830/830S



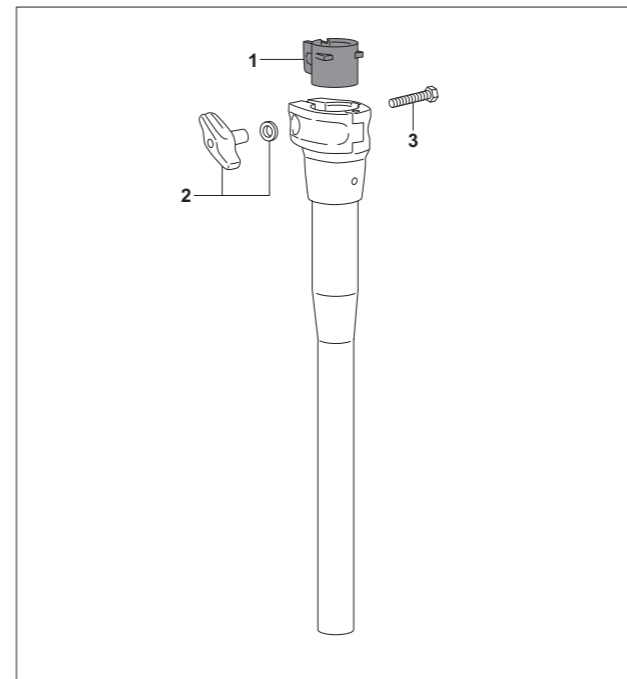
- A AA-BC83 Boom Assy. Complete (CH-830)**
AA-BC83S Boom Assy. Complete (CH-830S)
 1 UTS-83 Upper Tilter Section Complete
 1-A PL-010 Plastic Cymbal Nut
 1-B FLW-004 Felt Washer (one each)
 1-C PL-011 Cymbal Seat Cup
 2 UGB-830TW Die-Cast Wing Nut w/Washer
- B UT-CH83BC Tube Assy. Complete (CH-830)**
UT-CH83BCS Tube Assy. Complete (CH-830S)
 1 BC-BC83 Boom Clamp Assy. Complete
 1-A UGN-8T Die-Cast Wing Nut w/Washer
 1-B SG-001 Spring
 1-C ZD-118 Clamp Gear Link
 1-D ZD-119 Boom Clamp
 1-E SC-471 Boom Clamp Bolt
 2 ZD-081A Stop Lock Complete
 2-A KB-625 Key Bolt
 3 NP-164 Plastic End Cap

CH-930



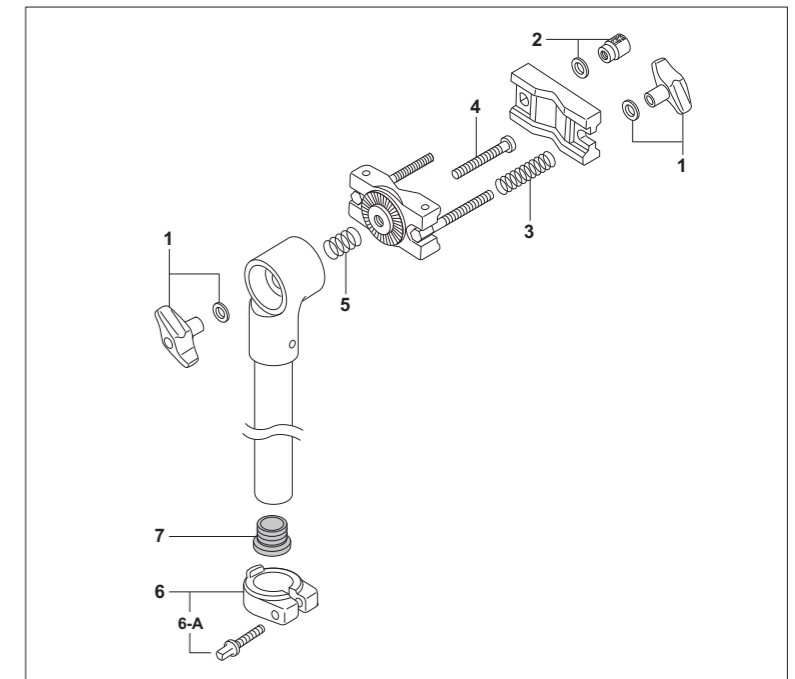
- A AA-BC90 Boom Assy. Complete**
 1 UTS-93 Upper Tilter Section Complete
 1-A PL-010 Plastic Cymbal Nut
 1-B FLW-001 Felt Washer (one each)
 1-C PL-011 Cymbal Seat Cup
 2 UGB-830W Die-Cast Wing Bolt w/Washer
- B UT-CH93BC Tube Assy. Complete**
 1 BC-BC90 Boom Clamp Assy. Complete
 1-A UGN-8 Die-Cast Wing Nut w/Washer
 1-B SG-001 Spring
 1-C ZD-018N Clamp Gear Link
 1-D ZD-019A Boom Clamp Bolt
 2 ZD-081A Stop Lock Complete
 2-A KB-625 Key Bolt
 3 NP-164 Plastic End Cap

TX-100 Tube Extender



- 1 NP-366 Nylon Bushing
 2 UGN-6 Die-Cast Wing Nut w/Washer
 3 SC-169 Clamp Bolt

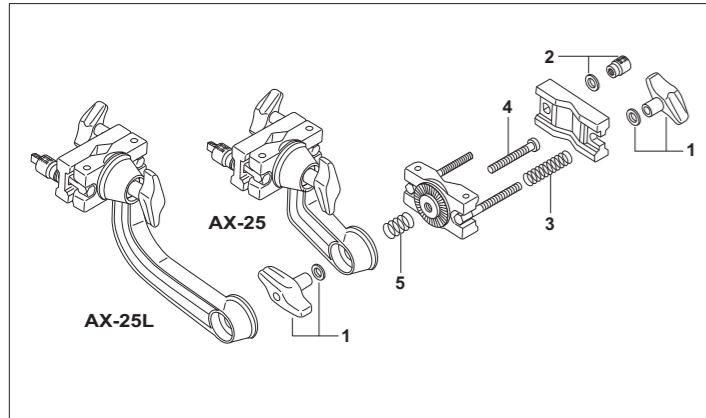
UX-80/80S Universal Clam



- 1 UGN-8 Die-Cast Wing Nut w/Washer (one set)
 2 M-8RN Knurled Round Nut w/Washer
 3 SG-009 Spring
 4 SC-144 Center Bolt
 5 SP-36 Spring
 6 ZD-081A Stop Lock Complete
 6-A KB-625 Key Bolt
 7 NP-164 Plastic End Cap

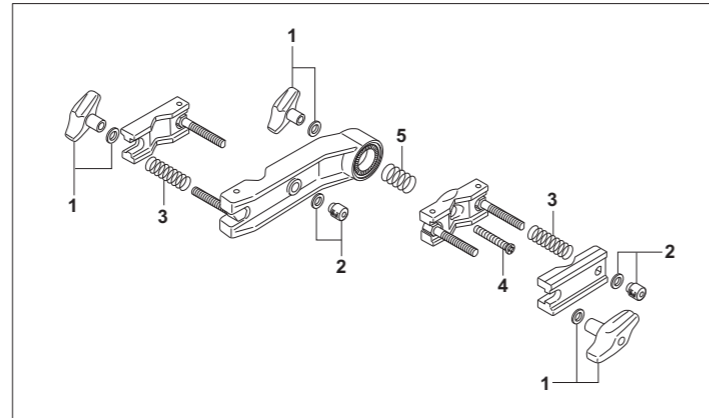
ADAPTERS

AX-25 / 25L



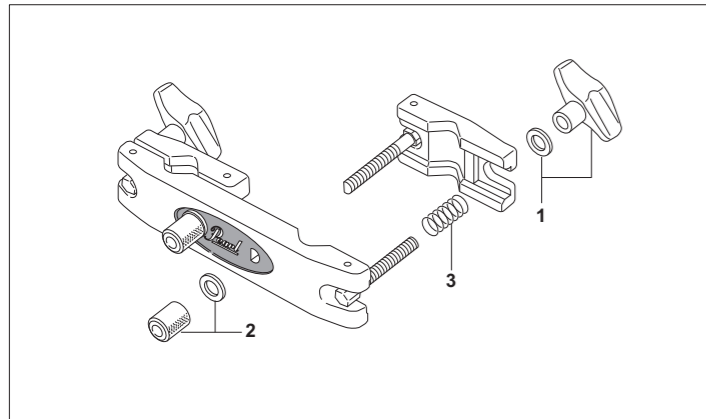
- 1 UGN-8 Die-Cast Wing Nut w/Washer (one set)
- 2 M-8RN Knurled Round Nut w/Washer
- 3 SG-009 Spring
- 4 SC-144 Center Bolt
- 5 SP-36 Spring

AX-28



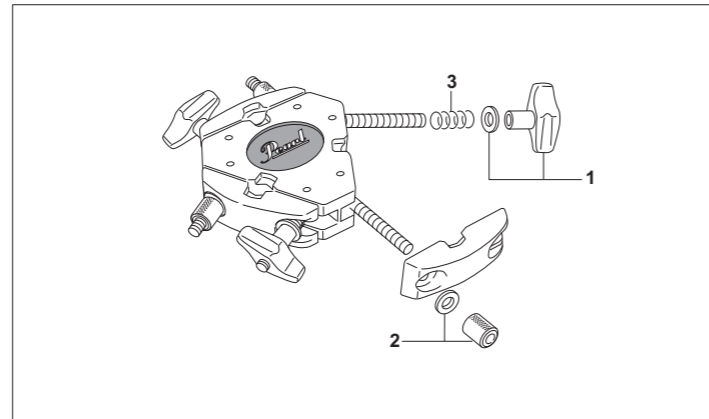
- 1 UGN-8 Die-Cast Wing Nut w/Washer (one set)
- 2 M-8RN Knurled Round Nut w/Washer (one each)
- 3 SG-009 Spring (one each)
- 4 SC-144 Center Bolt
- 5 SP-36 Spring

ADP-20



- 1 UGN-8 Die-Cast Wing Nut w/Washer (one set)
- 2 M-8RN Knurled Round Nut w/Washer
- 3 SG-009 Spring

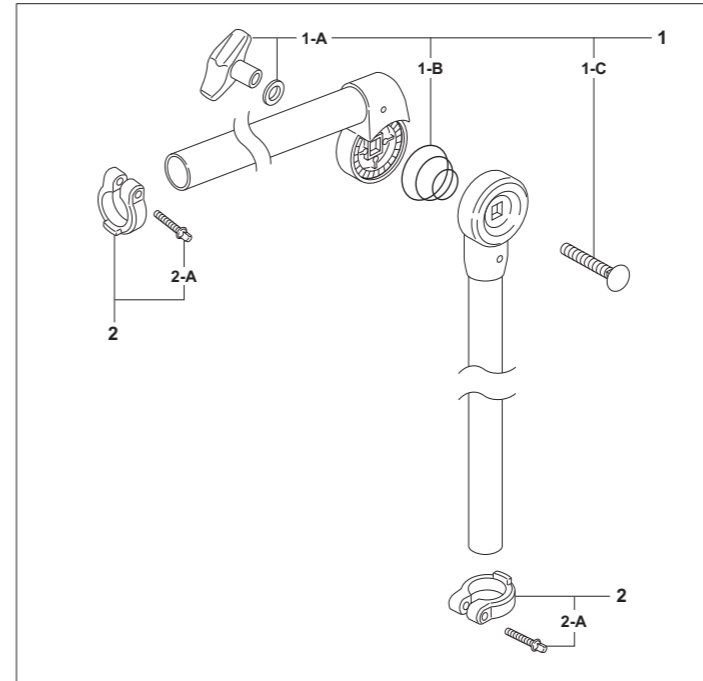
ADP-30



- 1 UGN-8 Die-Cast Wing Nut w/Washer (one set)
- 2 M-8RN Knurled Round Nut w/Washer
- 3 SG-009 Spring

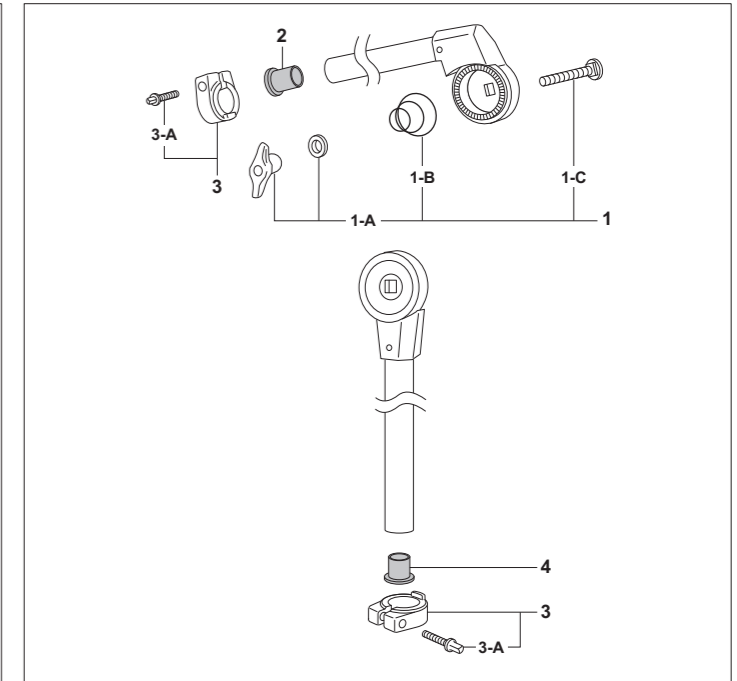
TOM HOLDERS

TH-70I / 70S



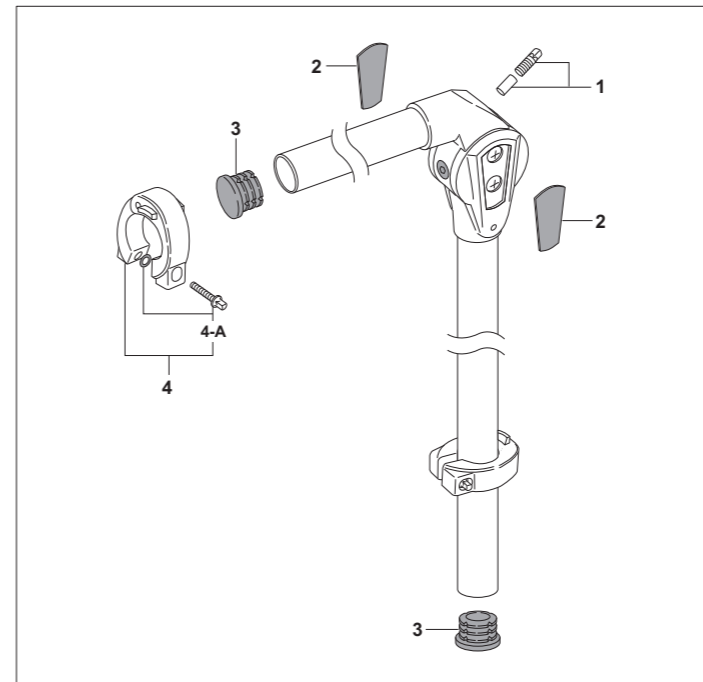
- 1 SN-85A Bolt & Nut Set w/Spring
- 1-A UGN-8 Die-Cast Wing Nut w/Washer
- 1-B SG-007N Spring
- 1-C SC-36B-ED Clamp Bolt
- 2 ZD-081A Stop Lock Complete (one set)
- 2-A KB-625 Key Bolt

TH-88I / 88S



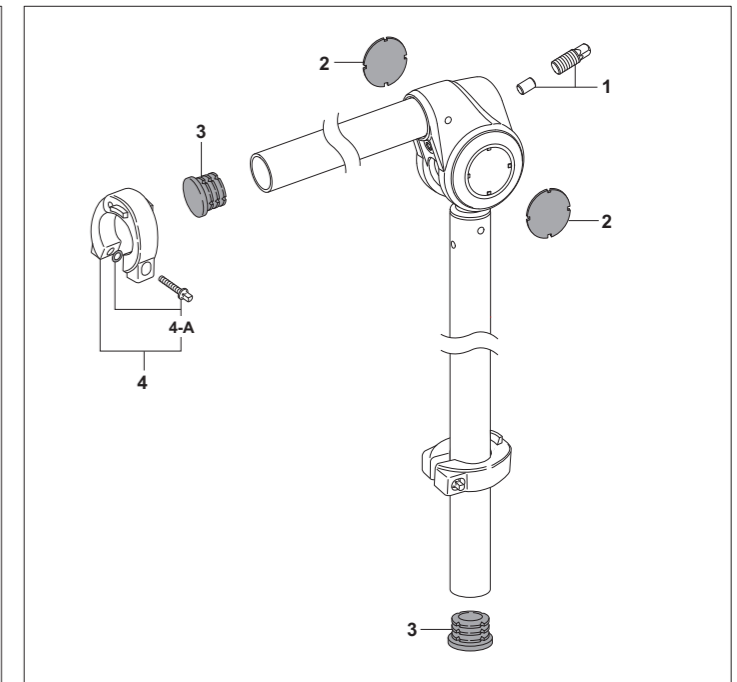
- 1 SN-85A Bolt & Nut Set w/Spring
- 1-A UGN-8 Die-Cast Wing Nut w/Washer
- 1-B SG-007N Spring
- 1-C SC-36B-ED Clamp Bolt
- 2 NP-164 Plastic End Cap
- 3 ZD-081A Stop Lock Complete (one set)
- 3-A KB-625 Key Bolt
- 4 NP-164 Plastic End Cap

TH-900I / 900S



- 1 KB-821P Key Bolt w/Pin
- 2 LGS-005 Logo Plate (one each)
- 3 NP-164 Plastic End Cap (one each)
- 4 RSP-22TN Stop Lock Complete (one set)
- 4-A KB-625O Key Bolt w/O-Ring

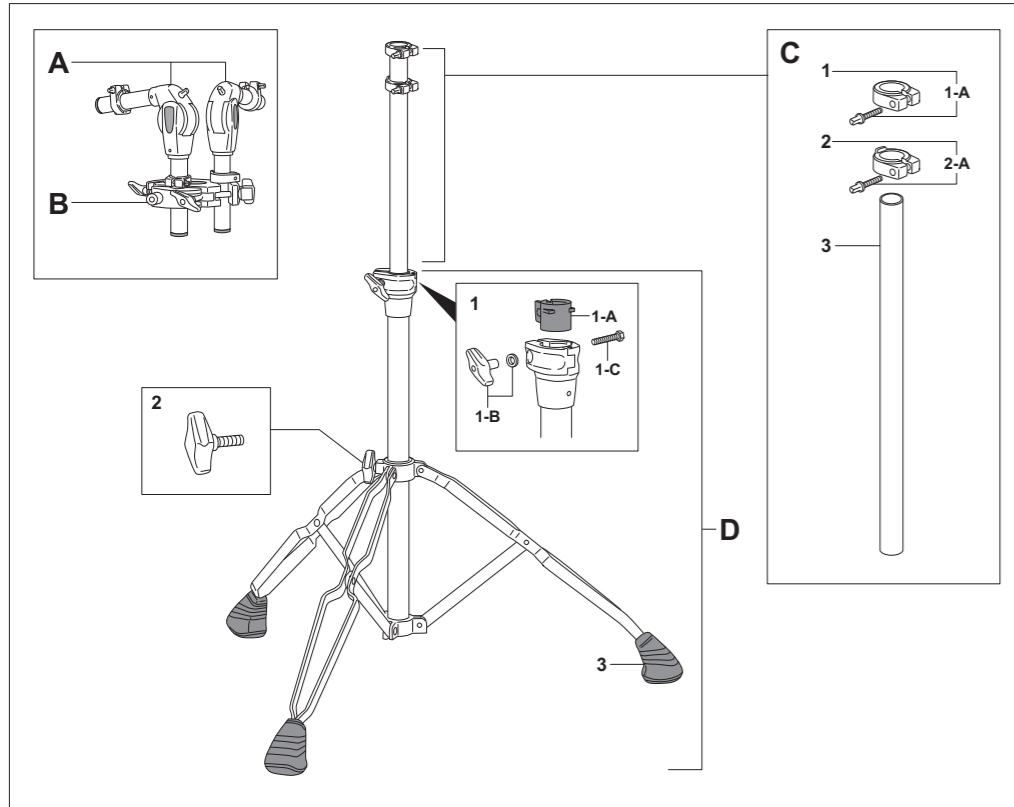
TH-1030 / 1030I / 1030S



- 1 KB-814P Key Bolt w/Pin
- 2 B-TH-1 Logo Plate (one each)
- 3 NP-164 Plastic End Cap (one each)
- 4 RSP-22TN Stop Lock Complete (one set)
- 4-A KB-625O Key Bolt w/O-Ring

TOM STANDS

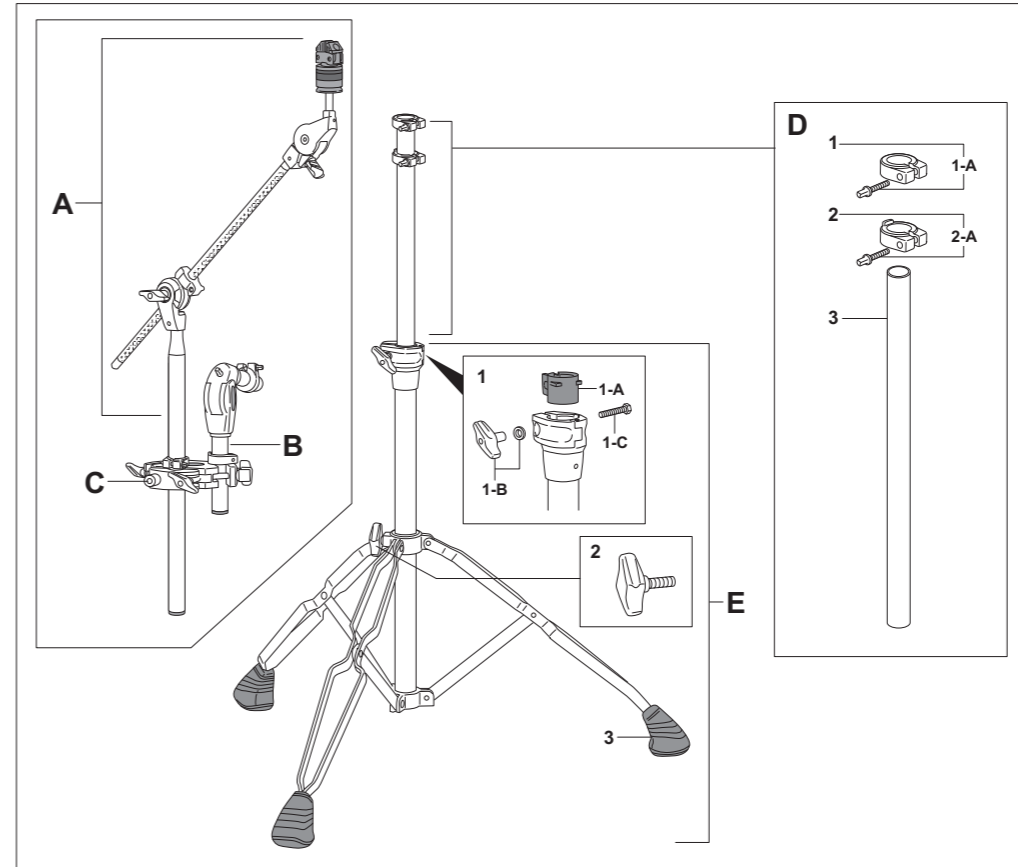
T-930



- A TH-900S Tom Holder, Short (one each)**
- B ADP-30 Adapter - Please refer to the Adapter section**
- C UT-T89 Upper Tube Assy. Complete**
- 1 ZD-081TA Stop Lock Complete
- 1-A KB-625 Key Bolt
- 2 ZD-081A Stop Lock Complete
- 2-A KB-625 Key Bolt
- 3 TU-90T Upper Tube ONLY
- D BA-93 Base Assy. Complete**
- 1 PJ-100L Die-Cast Joint Assy. Complete
- 1-A NP-366 Nylon Bushing
- 1-B UGN-6 Die-Cast Wing Nut w/Washer
- 1-C SC-169 Clamp Bolt
- 2 UGB-815S Die-Cast Wing Bolt
- 3 RB-008 Rubber Tip (one each)

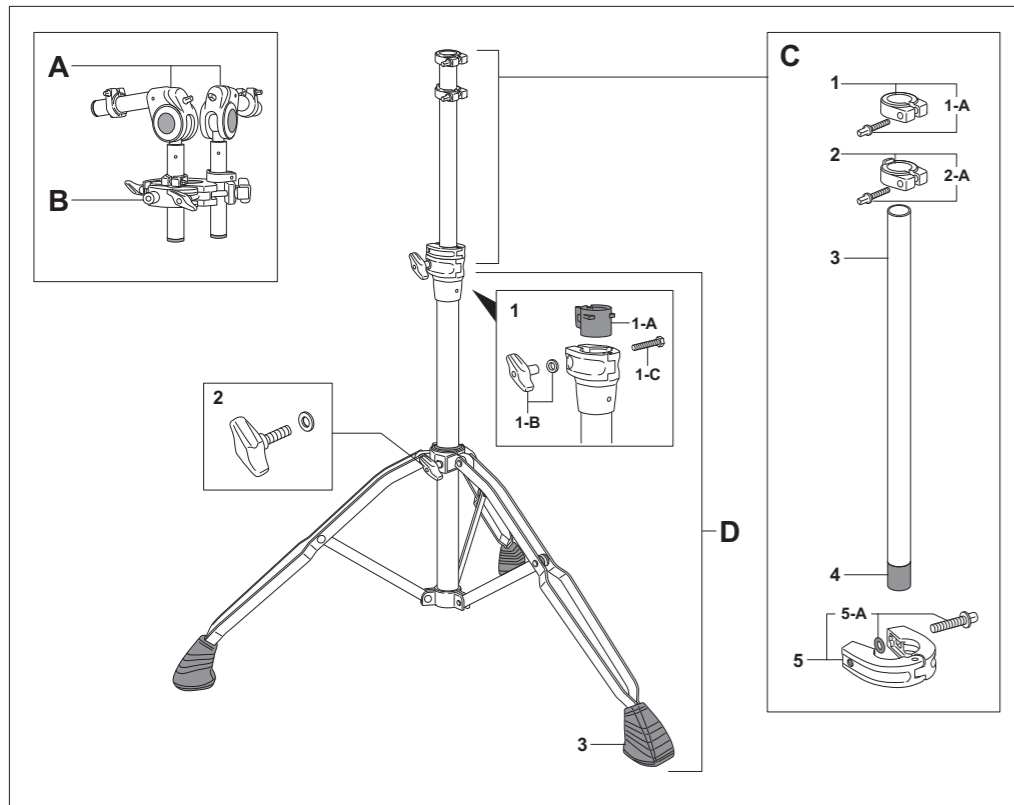
TOM CYMBAL STANDS

TC-930



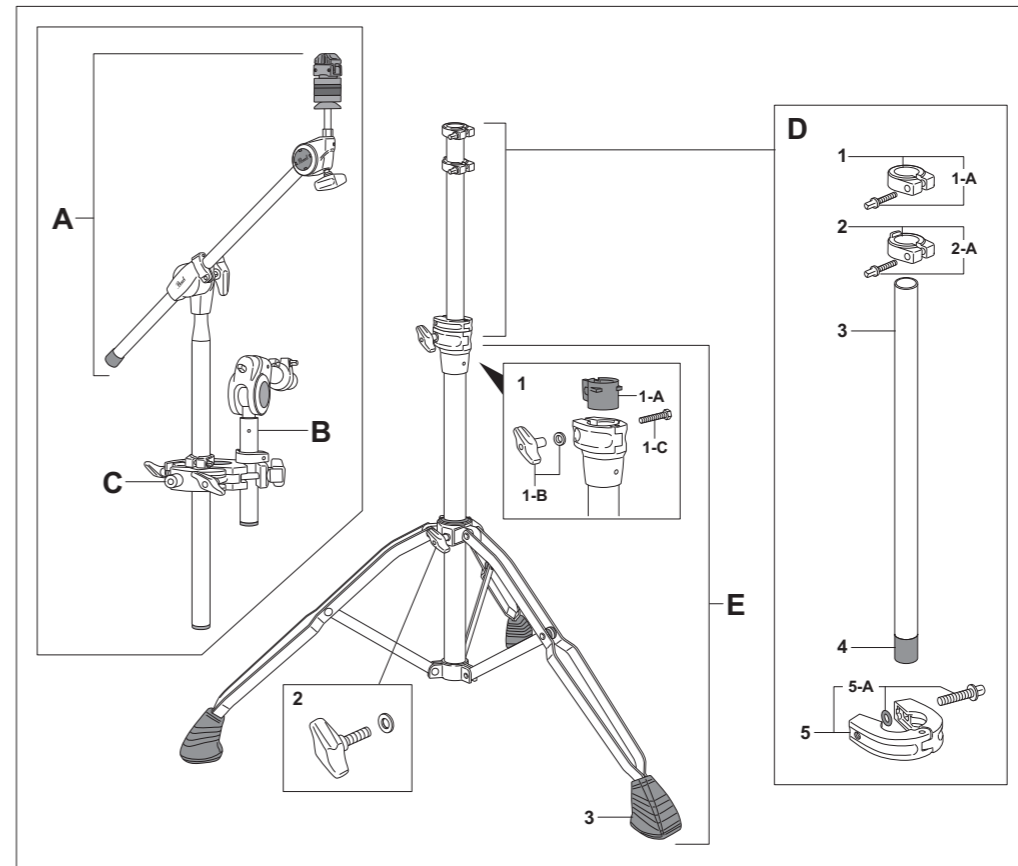
- A CH-930 Cymbal Holder**
- B TH-900S Tom Holder, Short**
- C ADP-30 Adapter - Please refer to the Adapter section**
- D UT-T89 Upper Tube Assy. Complete**
- 1 ZD-081TA Stop Lock Complete
- 1-A KB-625 Key Bolt
- 2 ZD-081A Stop Lock Complete
- 2-A KB-625 Key Bolt
- 3 TU-90T Upper Tube ONLY
- E BA-93 Base Assy. Complete**
- 1 PJ-100L Die-Cast Joint Assy. Complete
- 1-A NP-366 Nylon Bushing
- 1-B UGN-6 Die-Cast Wing Nut w/Washer
- 1-C SC-169 Clamp Bolt
- 2 UGB-815S Die-Cast Wing Bolt
- 3 RB-008 Rubber Tip (one each)

T-1030



- A TH-1030S Tom Holder, Short (one each)**
- B ADP-30 Adapter - Please refer to the Adapter section**
- C UT-T103 Upper Tube Assy. Complete**
- 1 ZD-081TA Stop Lock Complete
- 1-A KB-625 Key Bolt
- 2 ZD-081A Stop Lock Complete
- 2-A KB-625 Key Bolt
- 3 TU-90T Upper Tube ONLY
- 4 NP-376 Plastic Tip
- 5 ZD-104A Stop Lock Complete
- 5-A KB-625O Key Bolt w/O-Ring
- D BA-103 Base Assy. Complete**
- 1 PJ-100L Die-Cast Joint Assy. Complete
- 1-A NP-366 Nylon Bushing
- 1-B UGN-6 Die-Cast Wing Nut w/Washer
- 1-C SC-169 Clamp Bolt
- 2 UGB-815SW Die-Cast Wing Bolt w/Washer
- 3 RB-001 Rubber Tip (one each)

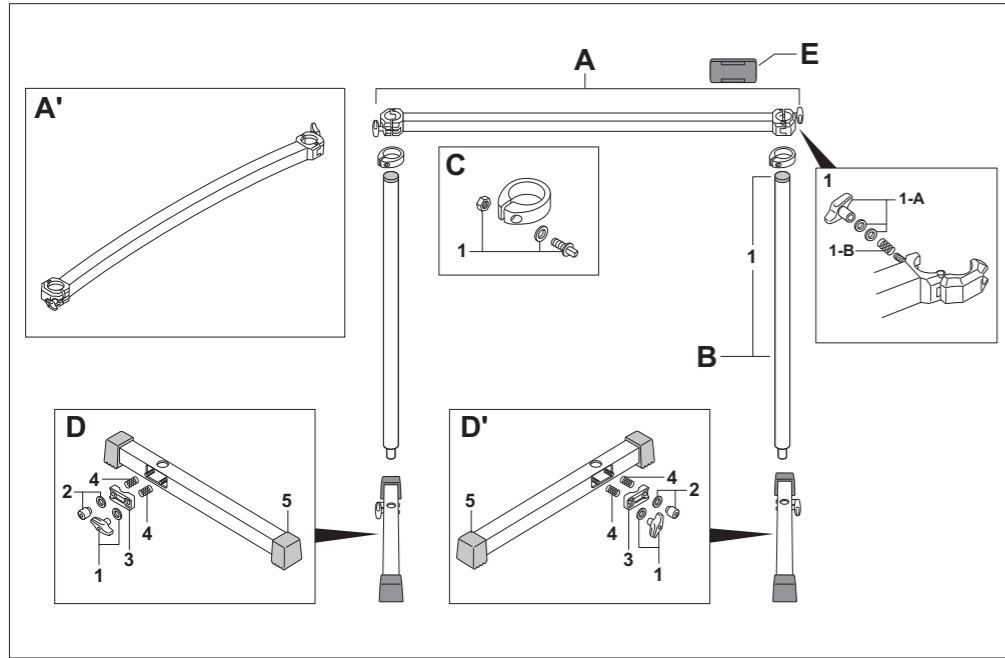
TC-1030B



- A CH-1030B Cymbal Holder**
- B TH-1030S Tom Holder, Short**
- C ADP-30 Adapter - Please refer to the Adapter section**
- D UT-T103 Upper Tube Assy. Complete**
- 1 ZD-081TA Stop Lock Complete
- 1-A KB-625 Key Bolt
- 2 ZD-081A Stop Lock Complete
- 2-A KB-625 Key Bolt
- 3 TU-90T Upper Tube ONLY
- 4 NP-376 Plastic Tip
- 5 ZD-104A Stop Lock Complete
- 5-A KB-625O Key Bolt w/O-Ring
- E BA-103 Base Assy. Complete**
- 1 PJ-100L Die-Cast Joint Assy. Complete
- 1-A NP-366 Nylon Bushing
- 1-B UGN-6 Die-Cast Wing Nut w/Washer
- 1-C SC-169 Clamp Bolt
- 2 UGB-815SW Die-Cast Wing Bolt w/Washer
- 3 RB-001 Rubber Tip (one each)

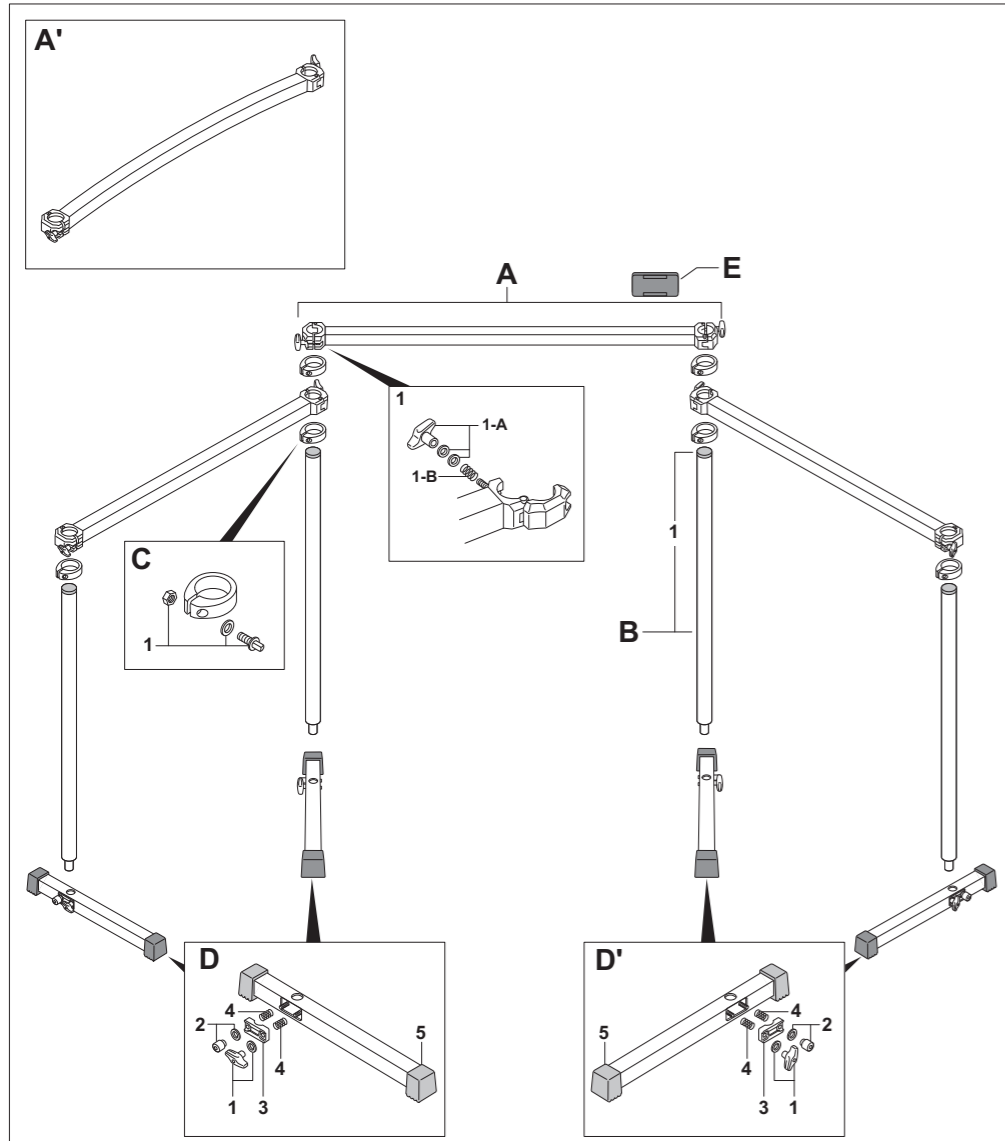
DRUM RACKS

DR-501 / 501C / 501E / 501CE



- A AL-18A Straight Rack Bar Complete**
- 1 DC-424A Die-Cast Clamp Assy. Complete
- 1-A UGN-8W Die-Cast Wing Nut w/Washers
- 1-B SP-57 Spring
- A' AL-28AC Curved Rack Bar Complete**
- B P-38800A Steel Leg**
- 1 NP-338 Plastic Cap
- C DC-426A Stop Lock Complete**
- 1 KB-625A Key Bolt w/Washer & Hexagonal Nut
- D KP-38500LA Floor Bar Assy. Complete (Left Side)**
- 1 UGN-8 Die-Cast Wing Nut w/Washer
- 2 M-8RN Knurled Round Nut w/Washer
- 3 DC-366 Die-Cast Link
- 4 SG-006N Spring (one each)
- 5 NP-188 Rubber Foot (one each)
- D' KP-38500RA Floor Bar Assy. Complete (Right Side)**
- 1 UGN-8 Die-Cast Wing Nut w/Washer
- 2 M-8RN Knurled Round Nut w/Washer
- 3 DC-366 Die-Cast Link
- 4 SG-006N Spring (one each)
- 5 NP-188 Rubber Foot (one each)
- E NP-394 Clip on Logo**

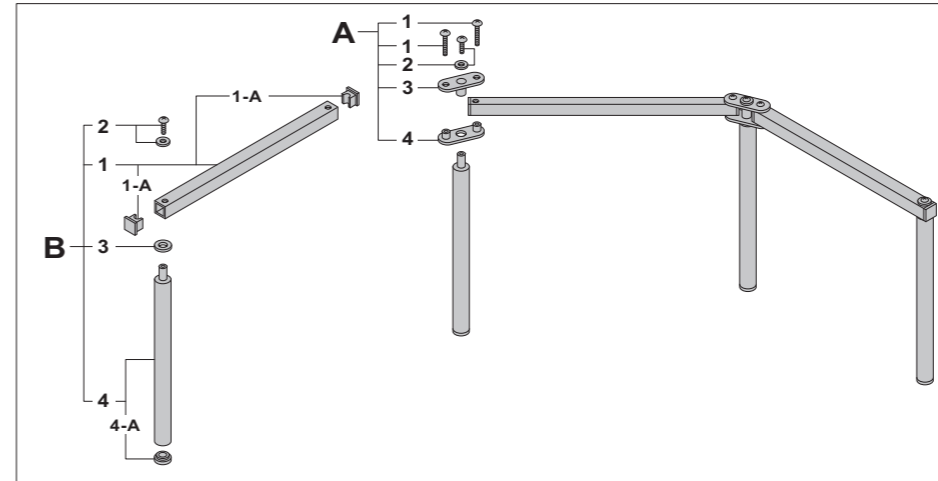
DR-503 / 503C



- A AL-18A Straight Rack Bar Complete**
- 1 DC-424A Die-Cast Clamp Assy. Complete
- 1-A UGN-8W Die-Cast Wing Nut w/Washers
- 1-B SP-57 Spring
- A' AL-28AC Curved Rack Bar Complete**
- B P-38800A Steel Leg**
- 1 NP-338 Plastic Cap
- C DC-426A Stop Lock Complete**
- 1 KB-625A Key Bolt w/Washer & Hexagonal Nut
- D KP-38500LA Floor Bar Assy. Complete (Left Side)**
- 1 UGN-8 Die-Cast Wing Nut w/Washer
- 2 M-8RN Knurled Round Nut w/Washer
- 3 DC-366 Die-Cast Link
- 4 SG-006N Spring (one each)
- 5 NP-188 Rubber Foot (one each)
- D' KP-38500RA Floor Bar Assy. Complete (Right Side)**
- 1 UGN-8 Die-Cast Wing Nut w/Washer
- 2 M-8RN Knurled Round Nut w/Washer
- 3 DC-366 Die-Cast Link
- 4 SG-006N Spring (one each)
- 5 NP-188 Rubber Foot (one each)
- E NP-394 Clip on Logo**

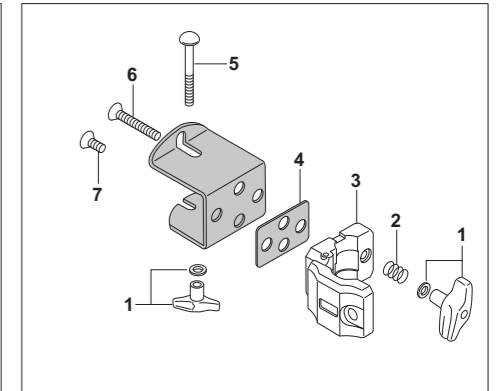
DRUM RACKS, PIPE CLAMPS, RACK JOINT

DR-80



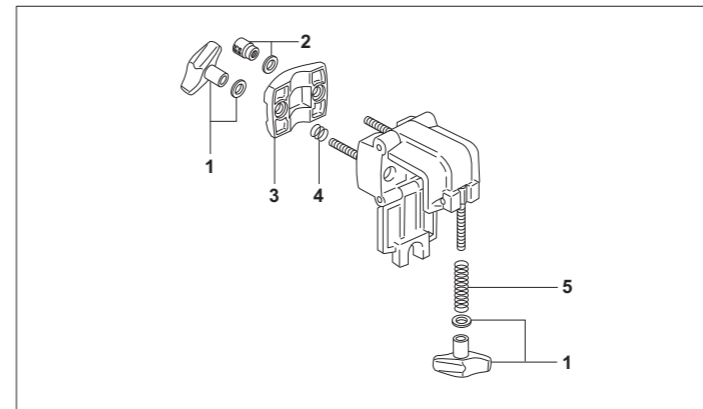
- A DR-JC1 Joint Assy. Complete**
- 1 SC-202 Bolt (Long) (one each)
- 2 SC-228A Bolt w/Washer (Short)
- 3 LKP-7 Upper Link Plate w/Leg Bracket
- 4 LKP-4 Lower Link Plate w/Nuts
- B DR-008 Expansion Unit Complete**
- 1 AL-13 Bar w/End Caps
- 1-A NP-162 End Cap (one each)
- 2 SC-228A Bolt w/Washer (Short)
- 3 PR-282 Leg Spacer
- 4 120N Leg w/Leg Cap
- 4-A NP-163 Leg Cap

PC-8



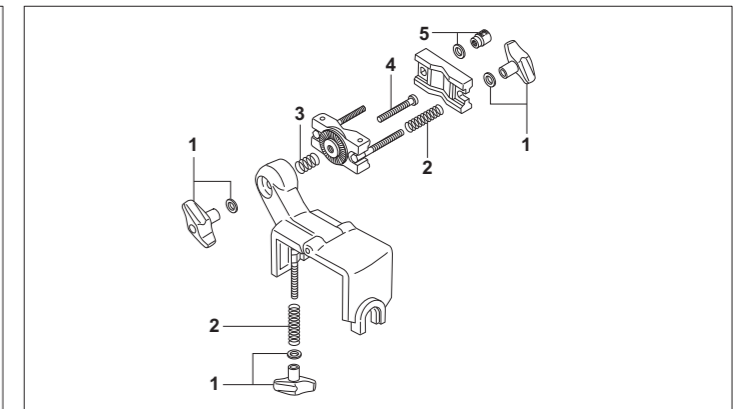
- 1 UGN-8 Die-Cast Wing Nut w/Washer (one each)
- 2 SG-006N Spring
- 3 DC-422A Hinged Clamp ONLY
- 4 GA-45N Gasket
- 5 SC-160 Carriage Bolt
- 6 SC-205 Clamp Bolt, Long
- 7 SC-279 Clamp Bolt, Short

PCX-100



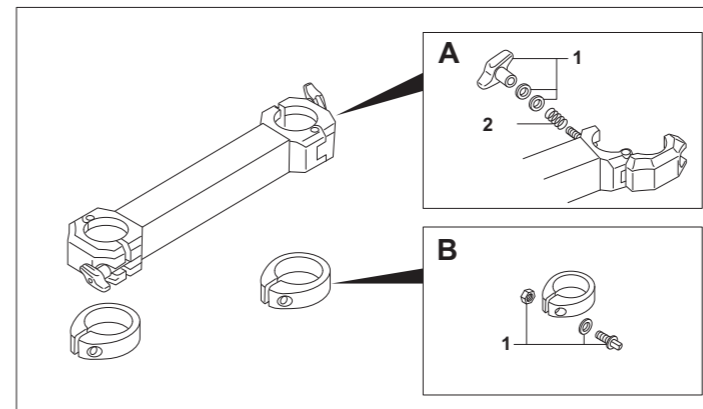
- 1 UGN-8 Die-Cast Wing Nut w/Washer (one set)
- 2 M-8RN Knurled Round Nut w/Washer
- 3 DC-587 Die-Cast Link
- 4 SG-006N Spring
- 5 SG-009 Spring

PCX-200



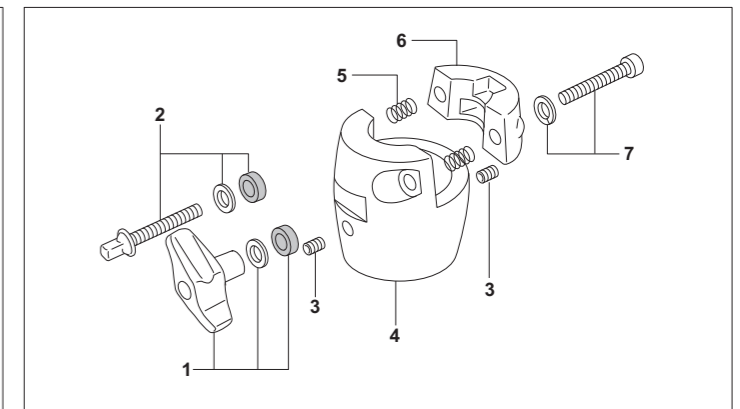
- 1 UGN-8 Die-Cast Wing Nut w/Washer (one set)
- 2 SG-009 Spring
- 3 SP-36 Spring
- 4 SC-144 Center Bolt
- 5 M-8RN Knurled Round Nut w/Washer

RJ-50



- A DC-424A Die-Cast Clamp Assy. Complete**
- 1 UGN-8W Die-Cast Wing Nut w/Washers
- 2 SP-57 Spring
- B DC-426A Stop Lock Complete**
- 1 KB-625A Key Bolt w/Washer & Hexagonal Nut

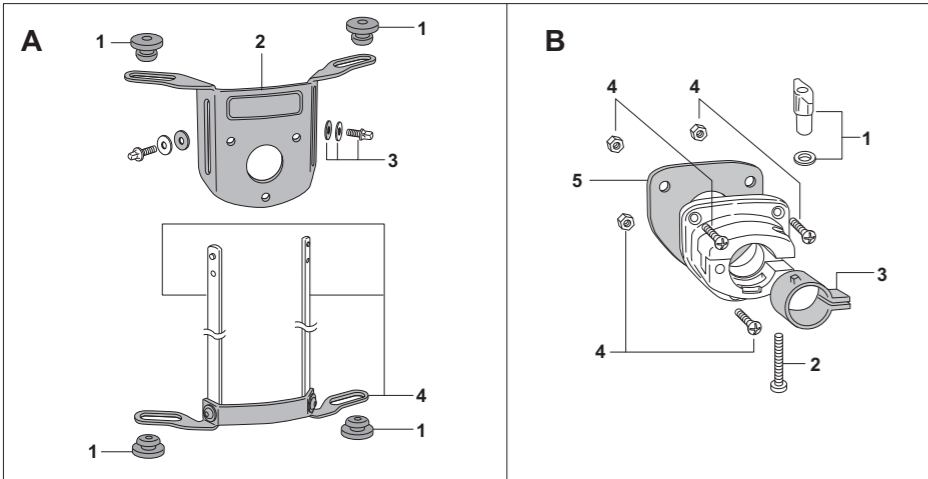
PCL-100



- 1 UGN-6W Die-Cast Wing Nut w/Washers
- 2 KB-630W Key Bolt w/Washers
- 3 SB-66 Allen Screw (one each)
- 4 DC-544 Pipe Bracket
- 5 SG-004 Spring (one each)
- 6 DC-545 Clamp Bracket
- 7 SC-341W Bolt w/Washer

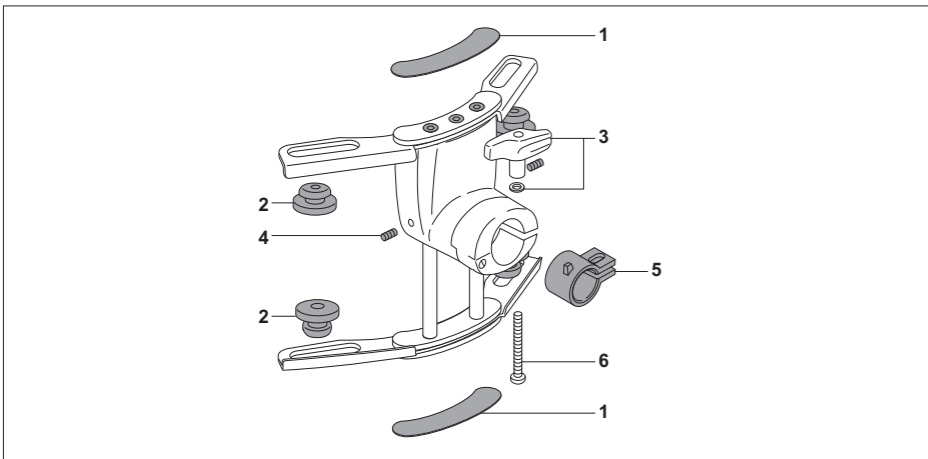
OPTIMOUNT, OPTI-LOC

OptiMount Suspension System



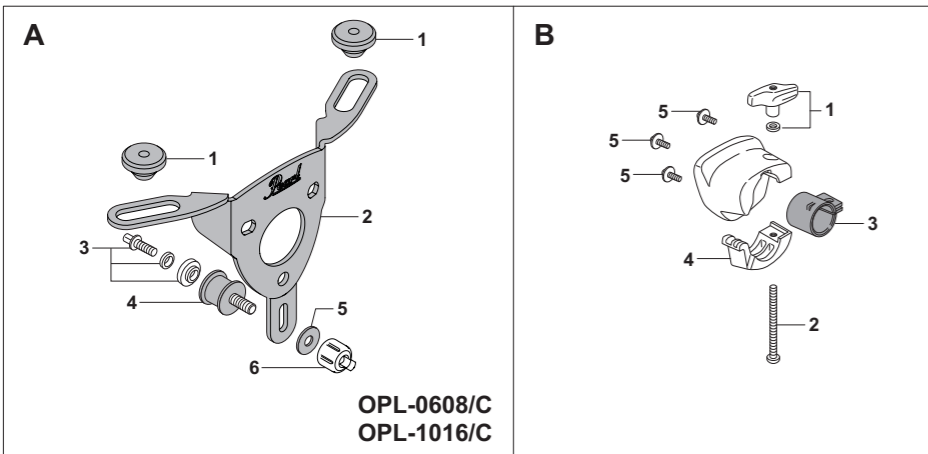
- A**
- OPT-78 Optimount w/o BT-3 (for OPT-0708)
 - OPT-91 Optimount w/o BT-3 (for OPT-0910)
 - OPT-112 Optimount w/o BT-3 (for OPT-1112)
 - OPT-134 Optimount w/o BT-3 (for OPT-1314)
 - OPT-156 Optimount w/o BT-3 (for OPT-1516)
- 1 NP-265 Mounting Rubber (one each)
 - 2 PR-528 Bracket Mounting Plate ONLY
 - 3 KB-615WB Key Bolt w/Washers
 - 4 PR-529A Lower Mounting Plate Assy. * (for OPT-0708)
 - PR-530A Lower Mounting Plate Assy. * (for OPT-0910)
 - PR-531A Lower Mounting Plate Assy. * (for OPT-1112)
 - PR-532A Lower Mounting Plate Assy. * (for OPT-1314)
 - PR-537A Lower Mounting Plate Assy. * (for OPT-1516) (one set)
- * (Includes Lower Mounting Plate and 1pr. connecting struts ONLY)
- B**
- BT-3-OPT Mounting Bracket
 - 1 UGN-6 Die-Cast Wing Nut w/Washer
 - 2 SC-68 Clamp Bolt
 - 3 NP-65 Nylon Bushing
 - 4 IS-MS Mounting Screw & Nut (one set)
 - 5 NP-260P Gasket

Aluminum OptiMount Suspension System



- 1 DDC-OPTA Logo Sticker
- 2 NP-419 Rubber Grommet (one each)
- 3 UGN-6 Die-Cast Wing Nut w/Washer
- 4 SB-66 Allen Screw (one each)
- 5 NP-420 Nylon Bushing
- 6 SC-68 Clamp Bolt

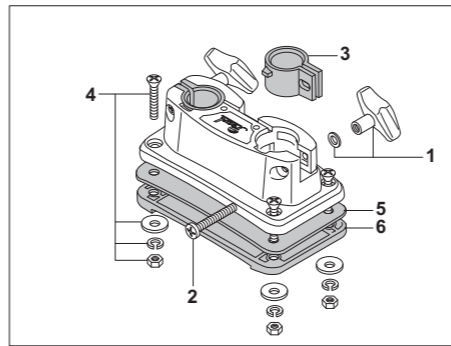
Opti-Loc (OPL)



- A**
- OPL-68 Opti-Loc w/o BT-300 (for OPL-0608/C)
 - 1 RB-021 Mounting Rubber (one each)
 - 2 OBP-0608 Bracket Mounting Plate (for OPL-0608/C)
 - 3 KB-620WS Key Bolt w/Washer & Spacer
 - 4 OSR-1 Rubber Suspension Post
 - 5 NP-270 Fiber Washer
 - 6 ZD-145 Key Nut
- A**
- OPL-16 Opti-Loc w/o BT-300 (for OPL-1016/C)
 - 1 RB-021 Mounting Rubber (one each)
 - 2 OBP-1016 Bracket Mounting Plate (for OPL-1016/C)
 - 3 KB-620WS Key Bolt w/Washer & Spacer
 - 4 OSR-1 Rubber Suspension Post
 - 5 NP-270 Fiber Washer
 - 6 ZD-145 Key Nut
- B**
- BT-300-OPL Mounting Bracket
 - 1 UGN-6 Die-Cast Wing Nut w/Washer
 - 2 SC-394 Clamp Bolt
 - 3 PL-020 Nylon Bushing
 - 4 ZD-048 Clamp
 - 5 SC-145L Mounting Screw w/Washer (one each)

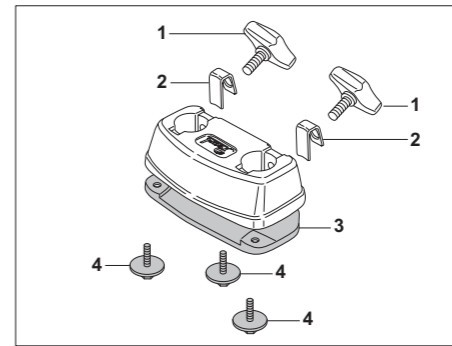
TOM HOLDER BASES, BRACKETS

BB-3



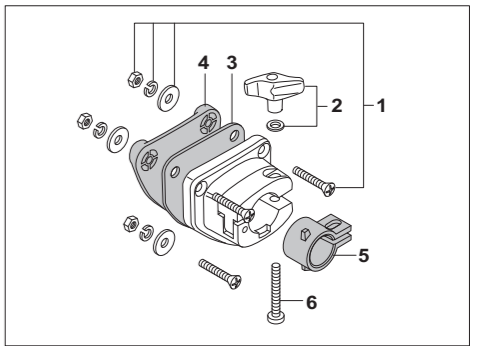
- 1 UGN-6 Die-Cast Wing Nut w/Washer (one set)
- 2 SC-68 Clamp Bolt (one each)
- 3 NP-65 Nylon Bushing (one each)
- 4 B-MS Mounting Screw, Washers & Nut (one set)
- 5 NP-259P Rubber Gasket
- 6 NP-185 Set Plate

BB-70



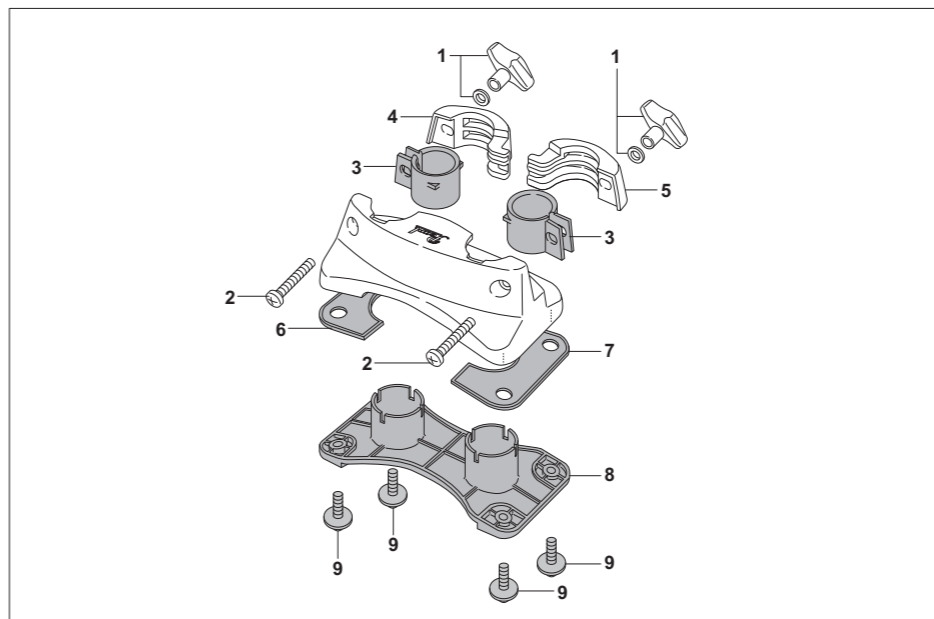
- 1 UGB-815S Die-Cast Wing Bolt (one each)
- 2 HP-BP Steel Bracket (one each)
- 3 NP-611 Set Plate
- 4 SC-233R Mounting Screw w/Washer (one each)

BT-3



- 1 T-MS Mounting Screw, Washers & Nut (one set)
- 2 UGN-6 Die-Cast Wing Nut w/Washer
- 3 NP-260P Gasket
- 4 NP-186 Set Plate
- 5 NP-65 Nylon Bushing
- 6 SC-68 Clamp Bolt

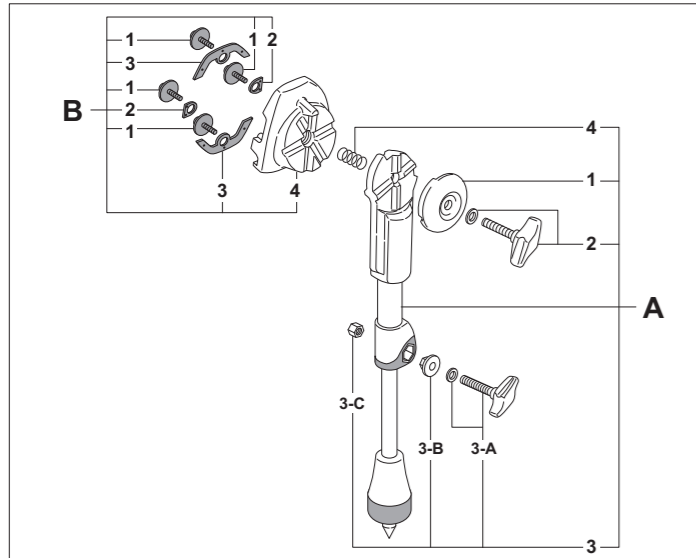
BB-300/C



- 1 UGN-6 Die-Cast Wing Nut w/Washer (one set)
- 2 SC-394 Clamp Bolt (one each)
- 3 PL-020 Nylon Bushing (one each)
- 4 ZD-043 Clamp, Right Side
- 5 ZD-044 Clamp, Left Side
- 6 PL-026N Rubber Gasket, Left Side for 22" & 24"
- PL-024 Rubber Gasket, Left Side for 20"
- 7 PL-027N Rubber Gasket, Right Side for 22" & 24"
- PL-025 Rubber Gasket, Right Side for 20"
- 8 PL-023 Set Plate
- 9 SC-413R Mounting Screw w/Washer (6 ply-one each)
- SC-413R Mounting Screw w/Washer (Thin 6 ply-one each)

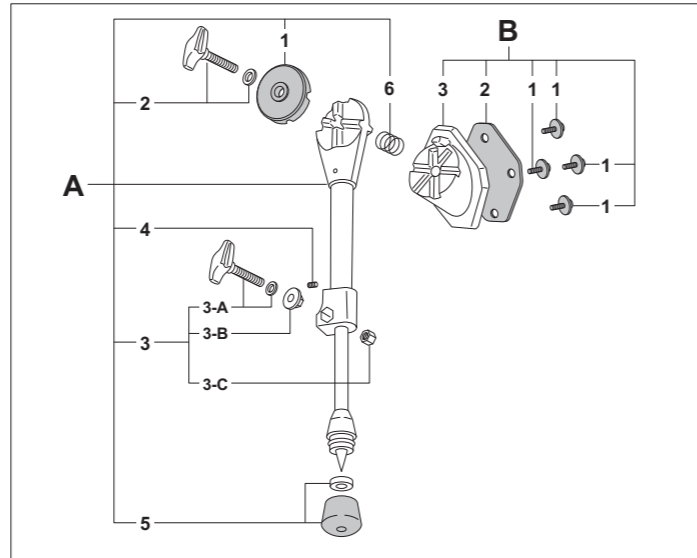
BASS DRUM SPURS

SP-300



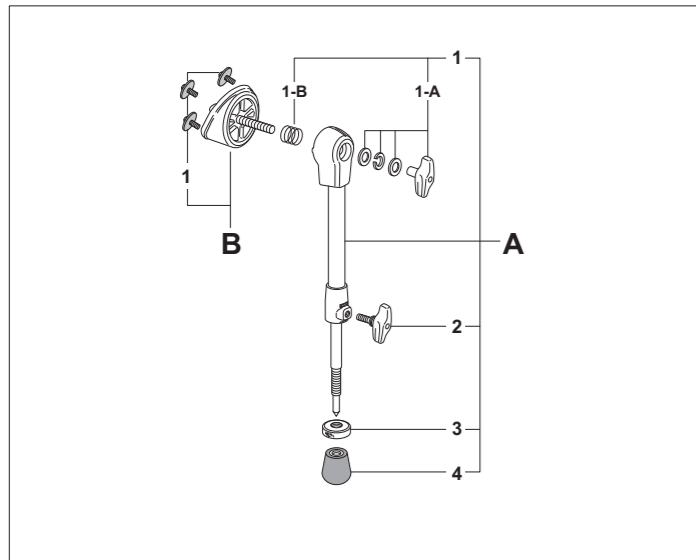
A	SP-300A	Spur Assy. Complete	B	SPB-300	Spur Bracket Complete
1	DC-667	Outer Cap	1	SM-512B	Mounting Screw w/Washer (6 ply-one each)
2	UGB-835WA	Die-Cast Wing Bolt w/Washer		SM-514B	Mounting Screw w/Washer (8 ply-one each)
3	SP-300D	Die-Cast Wing Bolt Set		NP-415P	Rubber Gasket (one each)
3-A	UGB-628W	Die-Cast Wing Bolt w/Washer	2	NP-414P	Rubber Gasket (one each)
3-B	DC-664	Hexagonal Washer	3	DC-661	Spur Bracket ONLY
3-C	DC-665	Hexagonal Nut	4		
4	SP-020	Spring			

SP-30



A	SP-30A	Spur Assy. Complete	B	SP-30E	Spur Bracket Complete
1	SP-30C	Outer Cap	1	SM-512B	Mounting Screw w/Washer (one each)
2	UGB-835WA	Die-Cast Wing Bolt w/Washer	2	NP-244P	Rubber Gasket
3	SP-30D	Die-Cast Wing Bolt Set	3	DC-88	Spur Bracket ONLY
3-A	UGB-628W	Die-Cast Wing Bolt w/Washer			
3-B	DC-91	Hexagonal Washer			
3-C	ME-90	Hexagonal Nut			
4	SB-55	Allen Screw			
5	R-30A	Rubber Tip w/Washer			
6	SP-205	Spring			

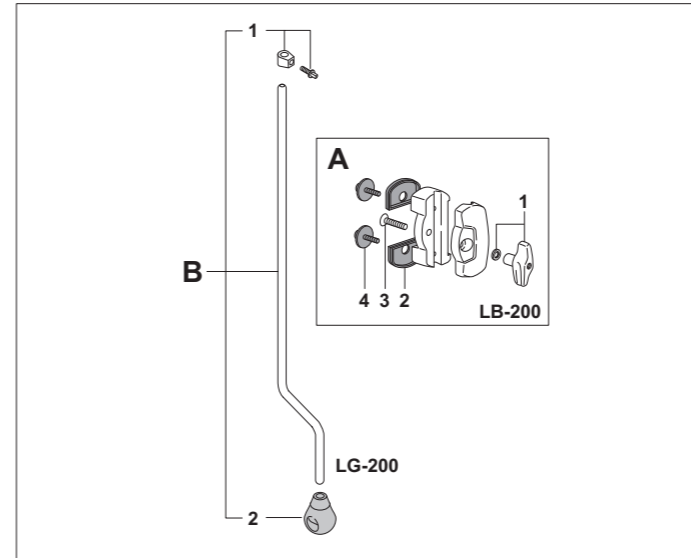
BSP-70



A	SP-70A	Spur Assy. Complete
1	SP-20B	Die-Cast Wing Nut w/Washer and Spring
1-A	UGN-8TW	Die-Cast Wing Nut w/Washer
1-B	SG-011	Spring
2	UGB-610	Die-Cast Wing Bolt
3	RHA-1T	Lock Nut
4	RHS-1R	Rubber Tip
B	SPB-70A	Spur Bracket Complete
1	SC-3DT	Mounting Screw w/Washer (one each)

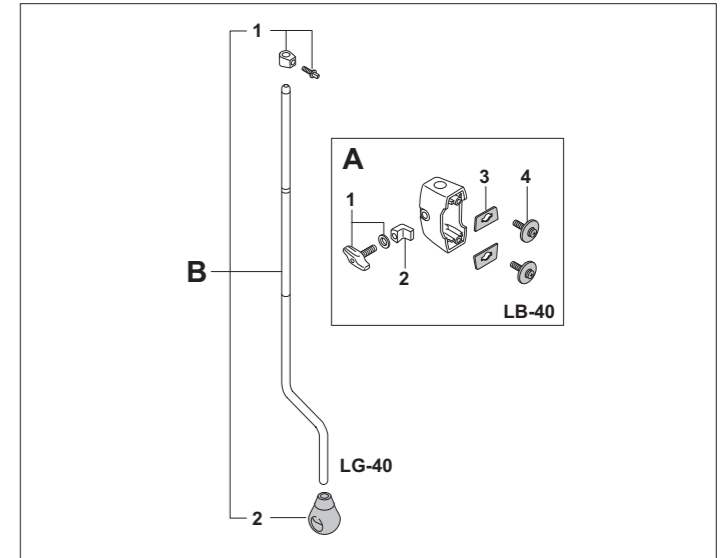
FLOOR TOM LEG BRACKETS & LEGS

LB-200 / LG-200



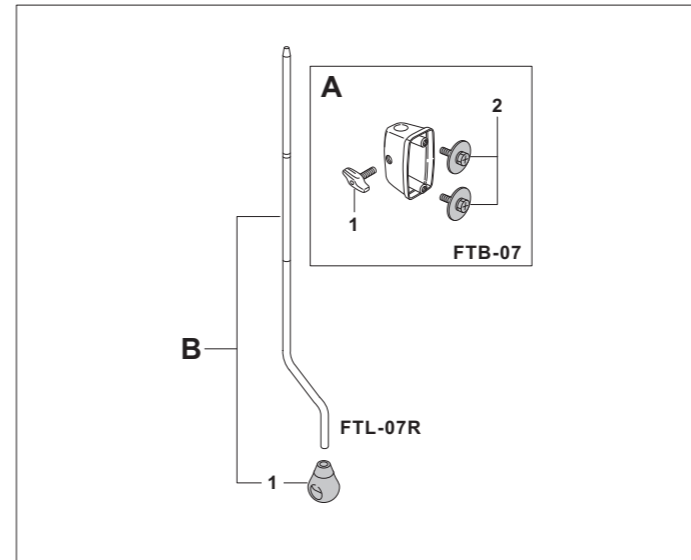
A	LB-200	Floor Tom Leg Bracket Assy. Complete
1	UGN-6	Die-Cast Wing Nut w/Washer
2	NP-413	Rubber Gasket (one each)
3	SC-365	Screw
4	SM-514B	Mounting Screw w/Washer (one each)
B	LG-200	Floor Tom Leg Complete w/Stop Lock & Rubber Tip
1	LG-02NS	Stop Lock Complete
2	R-40	Air Suspension Rubber Tip

LB-40 / LG-40



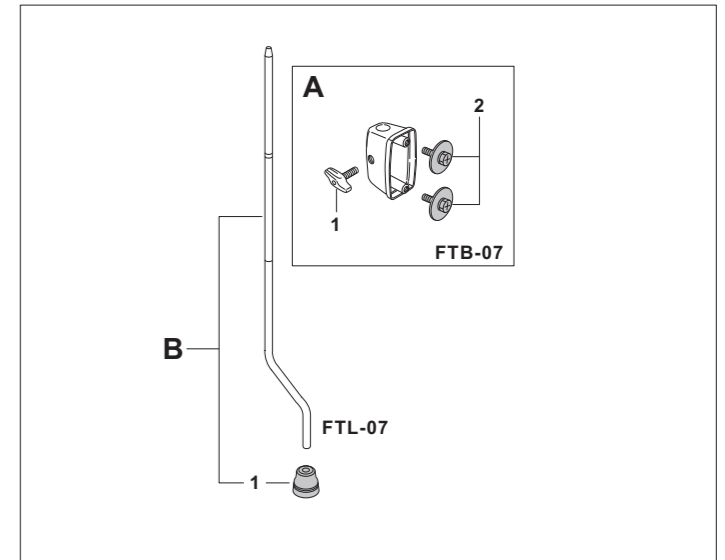
A	LB-40	Floor Tom Leg Bracket Assy. Complete
1	UGB-620	Die-Cast Wing Bolt w/Washer
2	DC-337	Lock Nut
3	NP-245P	Rubber Gasket (one each)
4	SM-512BW	Mounting Screw w/Washer (4 ply-one each)
	SM-514BW	Mounting Screw w/Washer (6 ply-one each)
B	LG-40	Floor Tom Leg Complete w/Stop Lock & Rubber Tip
1	LG-04S	Stop Lock Complete
2	R-40	Air Suspension Rubber Tip

FTB-07 / FTL-07R



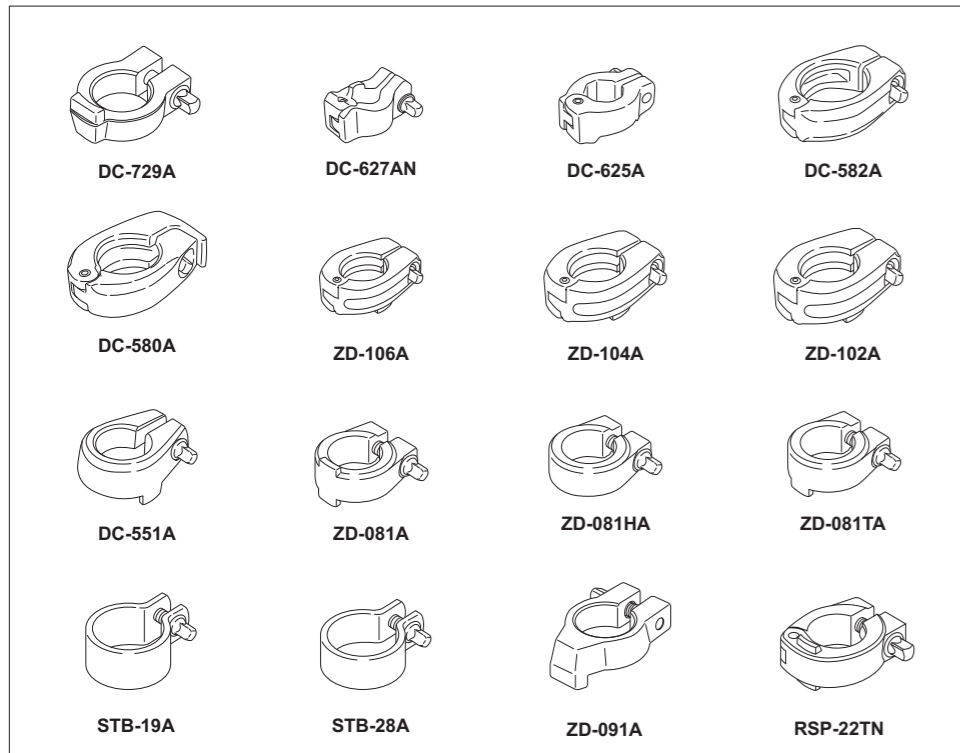
A	FTB-07	Floor Tom Leg Bracket Assy. Complete
1	UGB-815S	Die-Cast Wing Bolt
2	SC-3DT	Mounting Screw w/Washer (one each)
B	FTL-07R	Floor Tom Leg Complete w/Rubber Tip
1	R-40	Rubber Tip

FTB-07 / FTL-07



A	FTB-07	Floor Tom Leg Bracket Assy. Complete
1	UGB-815S	Die-Cast Wing Bolt
2	SC-3DT	Mounting Screw w/Washer (one each)
B	FTL-07	Floor Tom Leg Complete w/Rubber Tip
1	R-5	Rubber Tip

STOP LOCKS



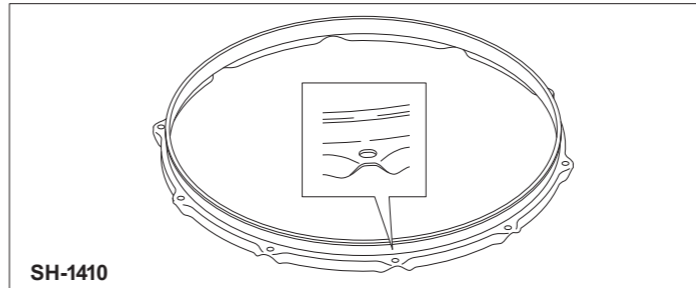
Number	Application
DC-729A	D-1000N, D-1000SN, D-1000SPN, D-2500, D-2500BR
DC-627AN	CLH-930, BC-2030
DC-625A	B-1030, BC-2030, CH-1030B
DC-582A	BC-2030
DC-580A	D-1000SPN
ZD-106A	BC-2030
ZD-104A	H-930, BC-2030, T-1030, TC-1030B
ZD-102A	H-1050, H-2050
DC-551A	D-930
ZD-081A	CLH-930, JG-16, JG-16NK, CH-830, CH-830S, CH-930, UX-80 / 80S, TH-70I / 70S, TH-88I / 88S, T-930, T-1030, TC-930, TC-1030B
ZD-081HA	D-730S
ZD-081TA	T-930, T-1030, TC-930, TC-1030B
STB-28A	D-790, D-930
ZD-091A	D-790
RSP-22TN	CH-1030B, TH-900I / 900S, TH-1030 / 1030I / 1030S
STB-19A	S-150S

SNARE WIRES

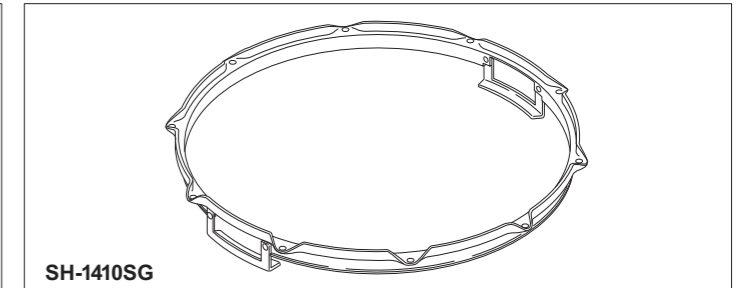
Model#	Strands	Size	Material	Model#	Strands	Size	Material
SN-1320C	20	13"	Ultra-Sound Snare Wire, C-type, w/strap & cord	S-022	20	14"	High Carbon Steel, Straps
SN-1420C	20	14"	Ultra-Sound Snare Wire, C-type, w/strap & cord	S-022N	20	14"	High Carbon Steel, Cords
SN-1442C	42	14"	Ultra-Sound Snare Wire, C-type, w/strap & cord	S-025	20	14"	High Carbon Steel (for SR-010)
SN-1320D	20	13"	Ultra-Sound Snare Wire, D-type, w/strap & cord	S-029N	20	13"	High Carbon Steel
SN-1420D	20	14"	Ultra-Sound Snare Wire, D-type, w/strap & cord	S-030N	24	14"	High Carbon Steel
SN-1442D	42	14"	Ultra-Sound Snare Wire, D-type, w/strap & cord	S-031N	20	12"	High Carbon Steel
SN-1320I	20	13"	Ultra-Sound Snare Wire, I-type, w/strap & cord	S-032N	16	10"	High Carbon Steel
SN-1420I	20	14"	Ultra-Sound Snare Wire, I-type, w/strap & cord	S-033N	16	12"	High Carbon Steel
SN-1442I	42	14"	Ultra-Sound Snare Wire, I-type, w/strap & cord	S-040	15	14"	Steel, thinner gauge
SN-1520I	20	15"	Ultra-Sound Snare Wire, I-type, w/strap & cord	S-041	15	14"	Bronze, thicker gauge

HOOPS

Super Hoop II, Regular Steel Hoops



SH-1410



SH-1410SG

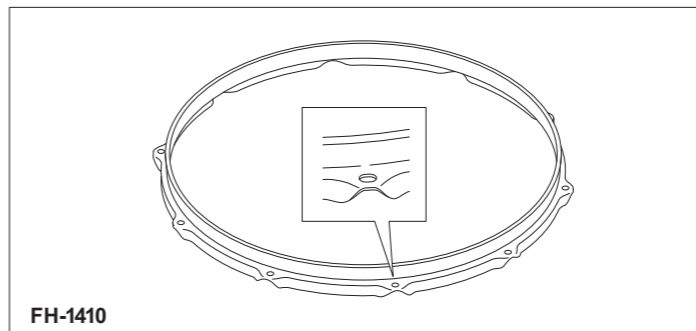
Super Hoop II

Number	Dia.	Description	Number	Dia.	Description
SH-0604	6"	4 rod	SH-1408	14"	8 rod
SH-0805	8"	5 rod	SH-1408S	14"	8 rod, snare side
SH-1006	10"	6 rod	SH-1410B	14"	10 rod, batter side
SH-1006S	10"	6 rod, snare side	SH-1410S	14"	10 rod, snare side
SH-1206	12"	6 rod	SH-1410SG	14"	10 rod, snare side w/guard
SH-1208	12"	8 rod	SH-1508	15"	8 rod
SH-1208S	12"	8 rod, snare side	SH-1608	16"	8 rod
SH-1306	13"	6 rod	SH-1808	18"	8 rod

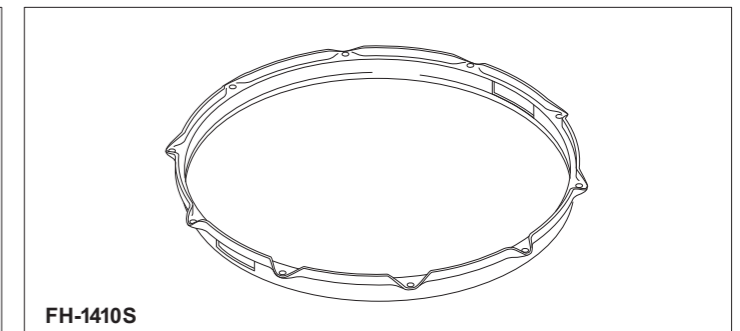
Regular Steel Hoops

Number	Dia.	Description	Number	Dia.	Description
RIM-0804	8"	4 rod	RIM-1408B	14"	8 rod, batter side
RIM-1006	10"	6 rod	RIM-1408S	14"	8 rod, snare side
RIM-1206	12"	6 rod	RIM-1410B	14"	10 rod, batter side
RIM-1306	13"	6 rod	RIM-1410S	14"	10 rod, snare side
RIM-1308B	13"	8 rod, batter side	RIM-1606	16"	6 rod
RIM-1308S	13"	8 rod, snare side	RIM-1608	16"	8 rod
RIM-1406	14"	6 rod	RIM-1808	18"	8 rod

FatTone Hoops



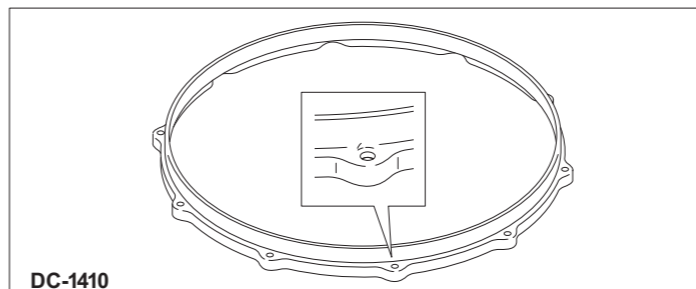
FH-1410



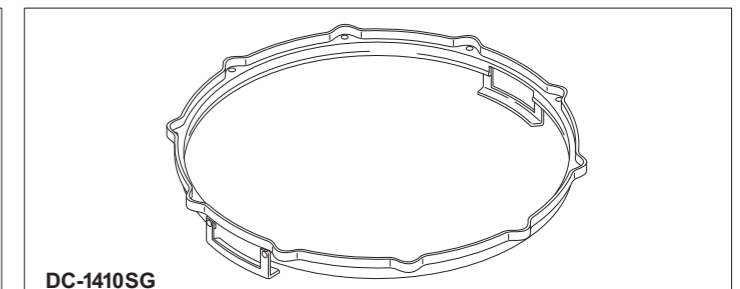
FH-1410S

Number	Dia.	Description	Number	Dia.	Description
FH-0805	8"	5 rod	FH-1408	14"	8 rod
FH-1006	10"	6 rod	FH-1410	14"	10 rod
FH-1206	12"	6 rod	FH-1410S	14"	10 rod, snare side
FH-1306	13"	6 rod	FH-1508	15"	8 rod
FH-1308	13"	8 rod	FH-1608	16"	8 rod
FH-1308S	13"	8 rod, snare side	FH-1808	18"	8 rod

Die-Cast Hoops



DC-1410



DC-1410SG

Number	Dia.	Description	Number	Dia.	Description
DC-0805	8"	5 rod	DC-1408	14"	8 rod
DC-1006	10"	6 rod	DC-1408S	14"	8 rod, snare side
DC-1206	12"	6 rod	DC-1410	14"	10 rod
DC-1306	13"	6 rod	DC-1410S	14"	10 rod, snare side
DC-1308	13"	8 rod	DC-1410SG	14"	10 rod, snare side w/guard
DC-1308S	13"	8 rod, snare side	DC-1508	15"	8 rod

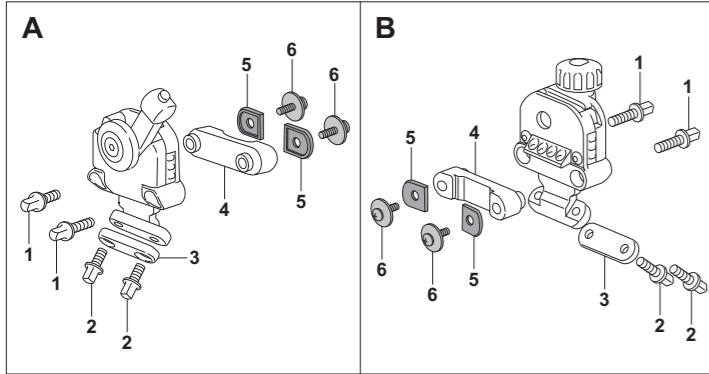
Number	Dia.	Description
DC-1508	15"	8 rod
DC-1608	16"	8 rod
DC-1808	18"	8 rod

Bass Drum Hoops / Hoop Protector

Number	Dia.	Application	Number	Dia.	Application	Number	Dia.	Application	Number	Dia.	Application	Number	Dia.	Application
RIM18W	18"	RF / RFP / Masters	SSCRIM18	18"	SSC	RIM20CRB	20"	CRB	EXL20HP-B	20"	EXL	HPP-2		Metal Hoop Protector
RIM20W	20"	RF / RFP / Masters	SSCRIM20	20"	SSC	RIM22CRB	22"	CRB	EXL22HP-B	22"	EXL	NP-347N		Non-Slip Hoop Protector
RIM22W	22"	RF / RFP / Masters	SSCRIM22	22"	SSC	RIM24CRB	24"	CRB	EXL24HP-B	24"	EXL			
RIM24W	24"	RF / RFP / Masters	SSCRIM24	24"	SSC	DMP20HP-B	20"	DMP	EXX20HP-B	20"	EXX			
MCTRIM18	18"	MCT	FWRIM18	18"	FW	DMP22HP-B	22"	DMP	EXX22HP-B	22"	EXX			
MCTRIM20	20"	MCT	FWRIM20	20"	FW	DMP24HP-B	24"	DMP	EXX24HP-B	24"	EXX			
MCTRIM22	22"	MCT	FWRIM22	22"	FW				MDT16HP-B	16"	MDT (batter side)			
MCTRIM24	24"	MCT	FWRIM24	24"	FW				MDT16HP-F	16"	MDT (front side)			

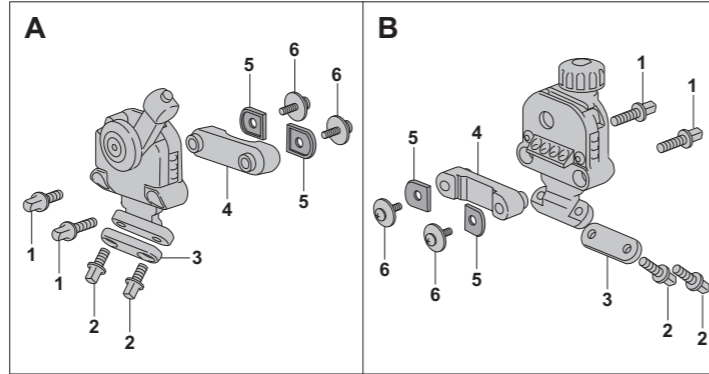
STRAINERS

SR-1000



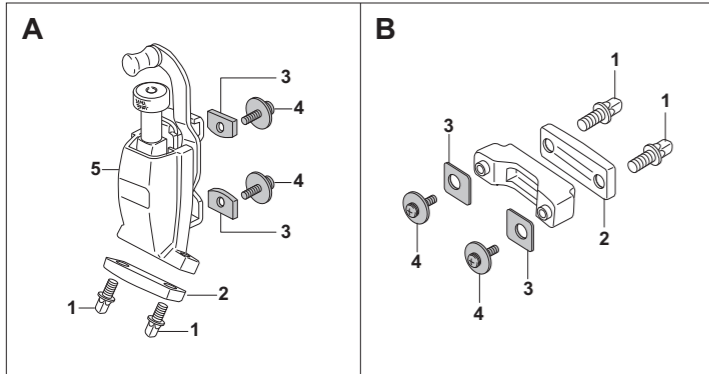
- | | |
|---|---|
| A SR-1000A Release Side Assy. Complete | B SR-1000E Butt Side Assy. Complete |
| 1 KB-615 Key Bolt (one each) | 1 KB-615 Key Bolt (one each) |
| 2 KB-510 Key Bolt (one each) | 2 KB-510 Key Bolt (one each) |
| 3 DC-684 Snare Mounting Plate | 3 DC-684 Snare Mounting Plate |
| 4 DC-685 Snare Setting Plate | 4 DC-685 Snare Setting Plate |
| 5 NP-432P Rubber Gasket (one each) | 5 NP-432P Rubber Gasket (one each) |
| 6 SM-409 Mounting Screw w/Washer (Metal shell-one each) | 6 SM-409 Mounting Screw w/Washer (Metal shell-one each) |
| SM-430B Mounting Screw w/Washer (20 ply-one each) | SM-430B Mounting Screw w/Washer (20 ply-one each) |

SR-1000/B (Black Chrome)



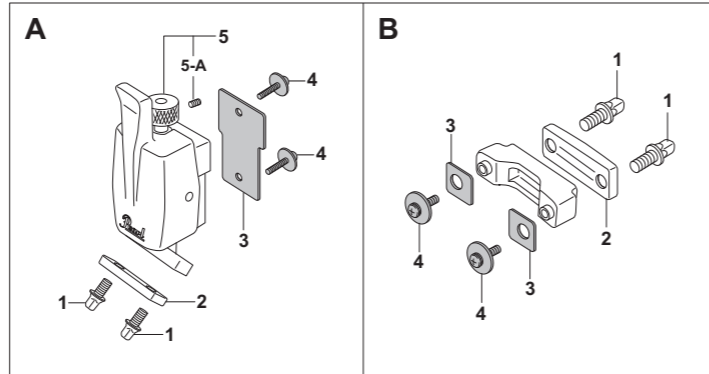
- | | |
|---|---|
| A SR-1000A/B Release Side Assy. Complete | B SR-1000E/B Butt Side Assy. Complete |
| 1 KB-615B Key Bolt (one each) | 1 KB-615B Key Bolt (one each) |
| 2 KB-510B Key Bolt (one each) | 2 KB-510B Key Bolt (one each) |
| 3 DC-684B Snare Mounting Plate | 3 DC-684B Snare Mounting Plate |
| 4 DC-685B Snare Setting Plate | 4 DC-685B Snare Setting Plate |
| 5 NP-432P Rubber Gasket (one each) | 5 NP-432P Rubber Gasket (one each) |
| 6 SM-409 Mounting Screw w/Washer (Metal shell-one each) | 6 SM-409 Mounting Screw w/Washer (Metal shell-one each) |

SR-017



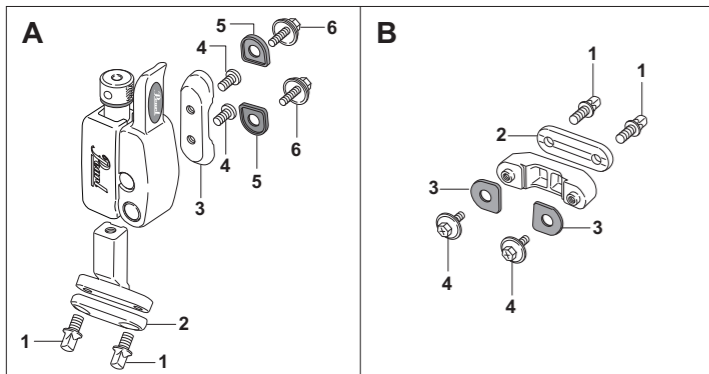
- | | |
|---|--|
| A SR-17A Release Side Assy. Complete | B SR-18E Butt Side Assy. Complete |
| 1 KB-510 Key Bolt (one each) | 1 KB-510 Key Bolt (one each) |
| 2 SR-12D Snare Mounting Plate | 2 SR-12D Snare Mounting Plate |
| 3 NP-249P Rubber Gasket (one each) | 3 NP-251P Rubber Gasket (one each) |
| 4 SM-514B Mounting Screw w/Washer (6 ply-one each) | 4 SM-414B Mounting Screw w/Washer (6 ply-one each) |
| SM-520B Mounting Screw w/Washer (10 ply-one each) | SM-420B Mounting Screw w/Washer (10 ply-one each) |
| SM-507 Mounting Screw w/Washer (Metal shell-one each) | SM-411C Mounting Screw w/Washer (Metal shell-one each) |
| 5 DC-440 Strainer Cover | |

SR-015



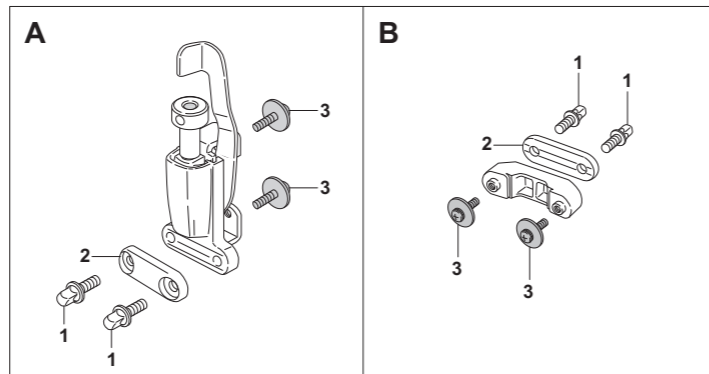
- | | |
|---|--|
| A SR-15A Release Side Assy. Complete | B SR-18E Butt Side Assy. Complete |
| 1 KB-510 Key Bolt (one each) | 1 KB-510 Key Bolt (one each) |
| 2 SR-12D Snare Mounting Plate | 2 SR-12D Snare Mounting Plate |
| 3 NP-248P Rubber Gasket | 3 GK-18SB Gasket (one each) |
| 4 SM-414B Mounting Screw w/Washer (4 ply-one each) | 4 SM-411B Mounting Screw w/Washer (4 ply-one each) |
| SM-416B Mounting Screw w/Washer (6 ply-one each) | SM-414B Mounting Screw w/Washer (6 ply-one each) |
| SM-418B Mounting Screw w/Washer (8 ply-one each) | SM-416B Mounting Screw w/Washer (8 ply-one each) |
| SM-409 Mounting Screw w/Washer (Metal shell-one each) | SM-411C Mounting Screw w/Washer (Metal shell-one each) |
| 5 ME-376A Adjustment Bolt, Complete | |
| 5-A SB-44 Allen Screw | |

SR-900



- | | |
|--|--|
| A SR-900A Release Side Assy. Complete | B SR-900B Butt Side Assy. Complete |
| 1 KB-510 Key Bolt (one each) | 1 KB-510 Key Bolt (one each) |
| 2 ZD-012 Snare Mounting Plate | 2 ZD-012 Snare Mounting Plate |
| 3 ZD-006 Snare Setting Plate | 3 PL-013 Rubber Gasket (one each) |
| 4 SC-391 Screw (one each) | 4 SM-408C Mounting Screw w/Washer (Metal shell-one each) |
| 5 PL-013 Rubber Gasket (one each) | SM-411B Mounting Screw w/Washer (Wood shell-one each) |
| 6 SM-408C Mounting Screw w/Washer (Metal shell-one each) | |

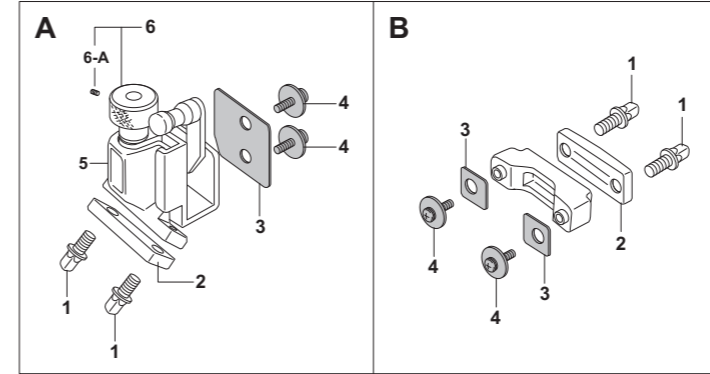
SR-700



- | | |
|--|--|
| A SR-700A Release Side Assy. Complete | B SR-700B Butt Side Assy. Complete |
| 1 KB-510 Key Bolt (one each) | 1 KB-510 Key Bolt (one each) |
| 2 ZD-012 Snare Mounting Plate | 2 ZD-012 Snare Mounting Plate |
| 3 SM-414B Mounting Screw w/Washer (one each) | 3 SM-411B Mounting Screw w/Washer (one each) |

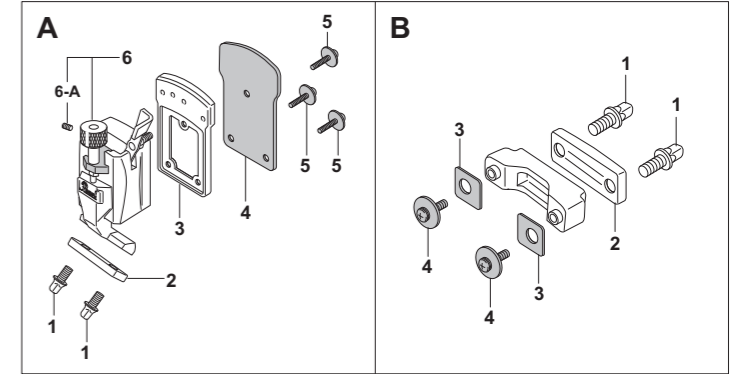
STRAINERS

SR-018



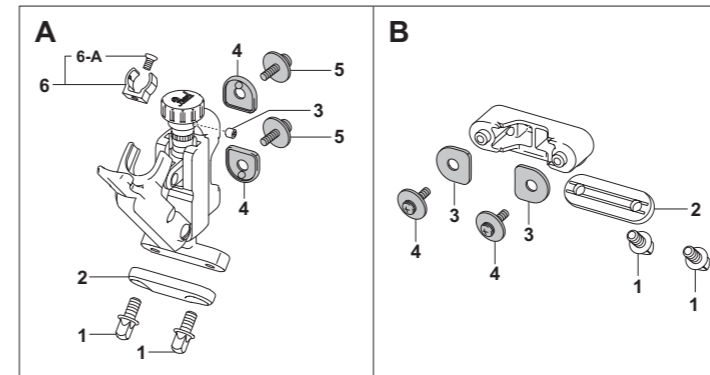
- | | |
|--|--|
| A SR-18A Release Side Assy. Complete | B SR-18E Butt Side Assy. Complete |
| 1 KB-508 Key Bolt (one each) | 1 KB-510 Key Bolt (one each) |
| 2 SR-12D Snare Mounting Plate | 2 SR-12D Snare Mounting Plate |
| 3 NP-250P Rubber Gasket | 3 NP-251P Rubber Gasket (one each) |
| 4 SM-414B Mounting Screw w/Washer (6 ply-one each) | 4 SM-414B Mounting Screw w/Washer (6 ply-one each) |
| SM-416B Mounting Screw w/Washer (8 ply-one each) | SM-416B Mounting Screw w/Washer (8 ply-one each) |
| SM-411C Mounting Screw w/Washer (Metal shell-one each) | SM-411C Mounting Screw w/Washer (Metal shell-one each) |
| 5 DC-458 Strainer Cover | |
| 6 ME-454A Adjustment Bolt, Complete | |
| 6-A SB-44 Allen Screw | |

SR-020/N (Nickel Finish)



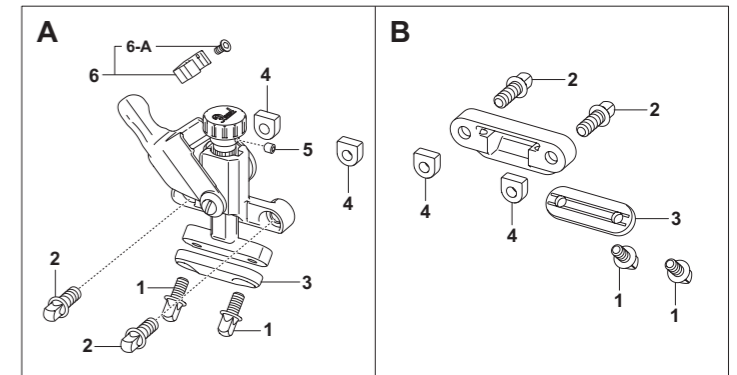
- | | |
|---|--|
| A SR-20A/N Release Side Assy. Complete | B SR-18E/N Butt Side Assy. Complete |
| 1 KB-510 Key Bolt (one each) | 1 KB-510 Key Bolt (one each) |
| 2 SR-12D/N Snare Mounting Plate | 2 SR-12D/N Snare Mounting Plate |
| 3 DC-408/N Trace Plate | 3 NP-251P Rubber Gasket (one each) |
| 4 NP-328P Rubber Gasket | 4 SM-409B Mounting Screw w/Washer (one each) |
| 5 SM-416B Mounting Screw w/Washer (one each) | |
| 6 ME-226AC Adjustment Bolt, Complete | |
| 6-A SB-44 Allen Screw | |

SR-150



- | | |
|--|--|
| A SR-150A Release Side Assy. Complete | B SR-150E Butt Side Assy. Complete |
| 1 KB-510 Key Bolt (one each) | 1 KB-510 Key Bolt (one each) |
| 2 DC-684 Snare Mounting Plate | 2 DC-684 Snare Mounting Plate |
| 3 SB-44 Allen Screw | 3 NP-522 Rubber Gasket (one each) |
| 4 NP-522 Rubber Gasket (one each) | 4 SM-411B Mounting Screw w/Washer (4 ply-one each) |
| 5 SM-512B Mounting Screw w/Washer (4 ply-one each) | SM-411B Mounting Screw w/Washer (4 ply-one each) |
| SM-512B Mounting Screw w/Washer (Thin 6 ply-one each) | SM-411C Mounting Screw w/Washer (Metal shell-one each) |
| SC-145N Mounting Screw w/Washer (Metal shell-one each) | |
| 6 NP-521A Lock Clip Assy. | |
| 6-A SC-327S Flat Head Screw | |

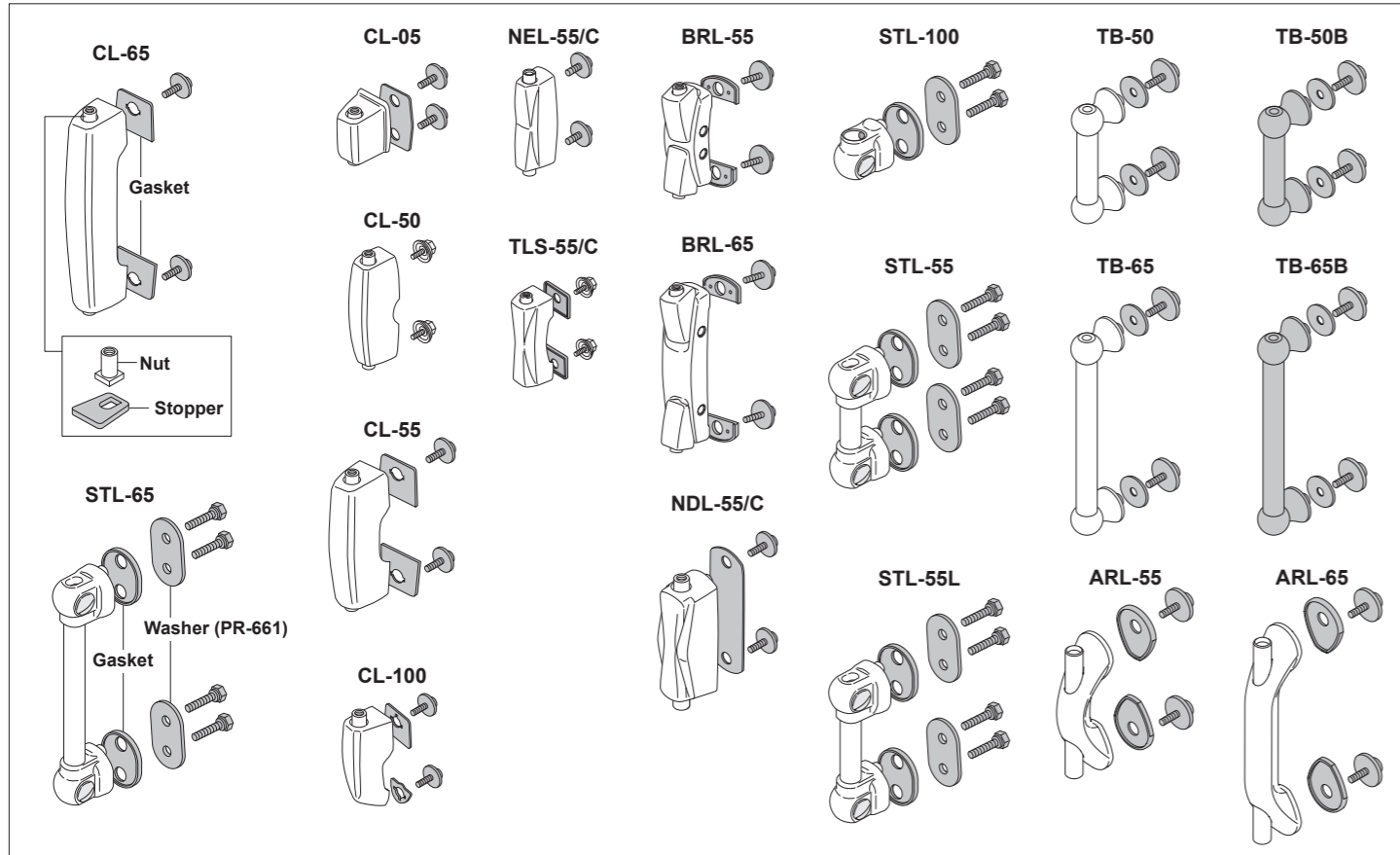
SR-160F



- | | |
|---|--|
| A SR-160FA Release Side Assy. Complete | B SR-160FE Butt Side Assy. Complete |
| 1 KB-510 Key Bolt (one each) | 1 KB-510 Key Bolt (one each) |
| 2 SC-477 Key Bolt (one each) | 2 SC-477 Key Bolt (one each) |
| 3 DC-684 Snare Mounting Plate | 3 DC-684 Snare Mounting Plate |
| 4 ME-675 D-Nut (one each) | 4 ME-675 D-Nut (one each) |
| 5 SB-44 Allen Screw | |
| 6 NP-521A Lock Clip Assy. | |
| 6-A SC-327S Flat Head Screw | |

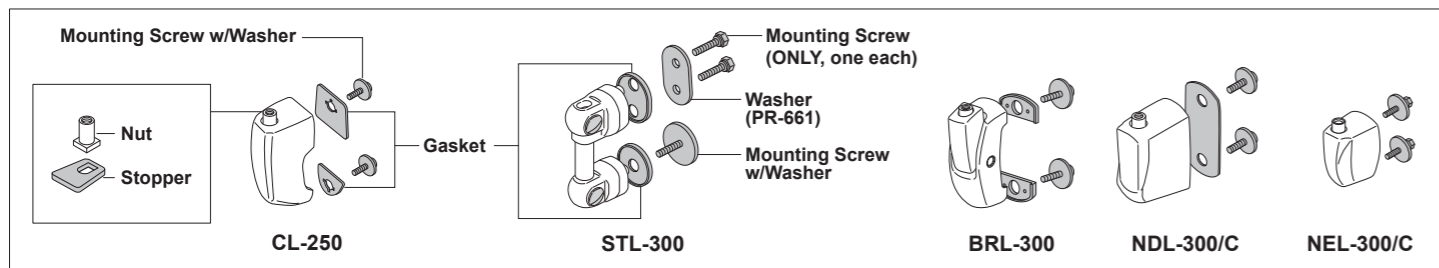
LUGS

Lugs for Snare Drum



Number	Nut	Stopper	Gasket	Screw					Application	
				METAL	4PLY	6PLY	6PLY,Thin	8PLY		20PLY
CL-05	ME-256US	NP-135N	NP-257P	SM-411C	---	SM-414B	---	---	---	M1330, B1330, S1330B
CL-50	DC-6FE	NP-135N	---	SM-411C	---	---	---	SM-416B	---	FCP, FCS
CL-55	DC-6US	NP-135N	NP-240P	SM-411C	SM-411B	SM-414B	---	---	---	5.5" Deep MCT, SSC, OH1350
CL-65	DC-6US	NP-135N	NP-240P	SM-411C	SM-411B	SM-414B	---	---	---	6.5" Deep MCT, SSC, JJ1365N, M1060
CL-100	DC-6US	NP-135N	NP-240P (Large) NP-241P (Small)	SM-411C	SM-411B	SM-414B	---	SM-416B	---	M1270
BRL-55	DC-6RS	NP-408	NP-410P	SM-411C	---	---	---	---	SM-432B	5" Deep RF, RFB, RFS
BRL-65	DC-6RS	NP-408	NP-410P	SM-411C	---	---	---	---	SM-432B	6.5" Deep RF, RFB, RFS
STL-100	---	---	NP-444P	SC-400R	---	SC-399R	---	---	---	Hybrid Exotic, DC1450S/N
STL-55	---	---	NP-444P	---	SC-400R	SC-399R	---	---	---	5.5" Deep MRV
STL-55L	---	---	NP-444P	---	---	---	SC-400R	---	---	5" Deep RFP
STL-65	---	---	NP-444P	---	SC-400R	SC-399R	SC-400R	---	---	6.5" Deep RFP, MRV
TB-50	---	---	NP-340P	SM-411C	---	---	---	---	---	5" Deep Sensi Tone
TB-65	---	---	NP-340P	SM-411C	---	---	---	---	---	IP1465, 6.5" Deep Sensi Tone
ARL-55	---	---	NP-524	SM-411C	SM-411B	---	SM-411B	---	---	5" Deep Sensi Tone Premium
ARL-65	---	---	NP-524	SM-411C	---	---	SM-411B	---	---	6.5" Deep Sensi Tone Premium
TLS-55/C	DC-6FE	PL-16	PL-19F	SM-408C	---	SM-411B	---	---	---	SS1455S
NDL-55/C	DC-6FE	PL-043	PL-060	---	---	SM-411B	---	---	---	DMP
NEL-55/C	DC-6FE	PL-043	---	---	---	SM-411B	---	---	---	EXL, EXX, MDT

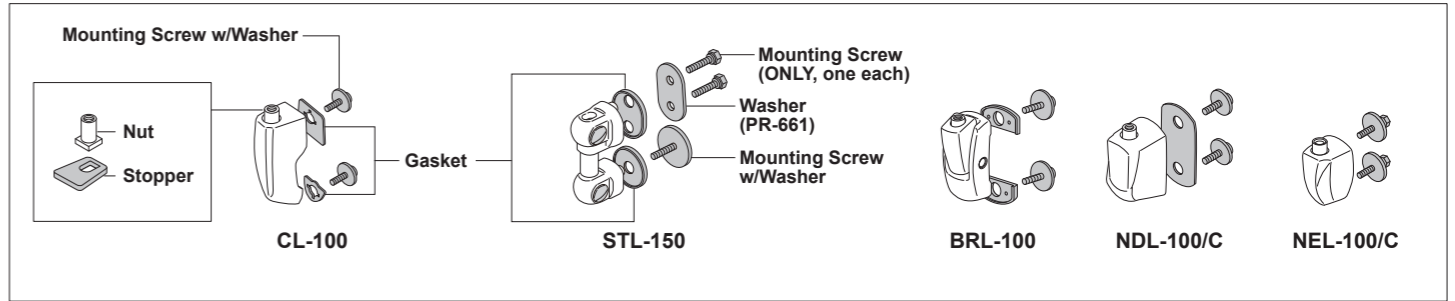
Lugs for Bass Drum



Number	Nut	Stopper	Gasket	Screw					Application
				4PLY	6PLY	6PLY, Thin	8PLY	8PLY, Thin	
STL-300	---	---	NP-444P (Large) NP-497 (Small)	---	---	SC-404R	---	SC-414R SM-420B	RFP
BRL-300	DC-5US	NP-408N	NP-408P	---	SM-414B	---	SM-416B	---	RF
CL-250	DC-5US	NP-225	NP-262P (Large) NP-263P (Small)	SM-411B	---	SM-411B	---	---	MRV, MCT
NDL-300/C	DC-6FE	PL-044	PL-061	---	---	SM-411B	---	---	DMP
NEL-300/C	DC-6FE	PL-044	---	---	SM-411B	---	---	---	EXL, EXX, MDT

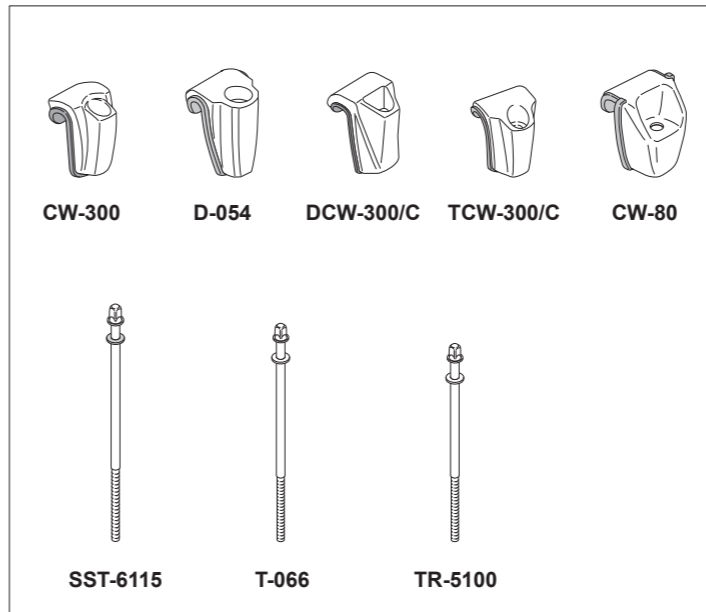
LUGS, BOLTS, TENSION CLAWS

Lugs for Tom Toms



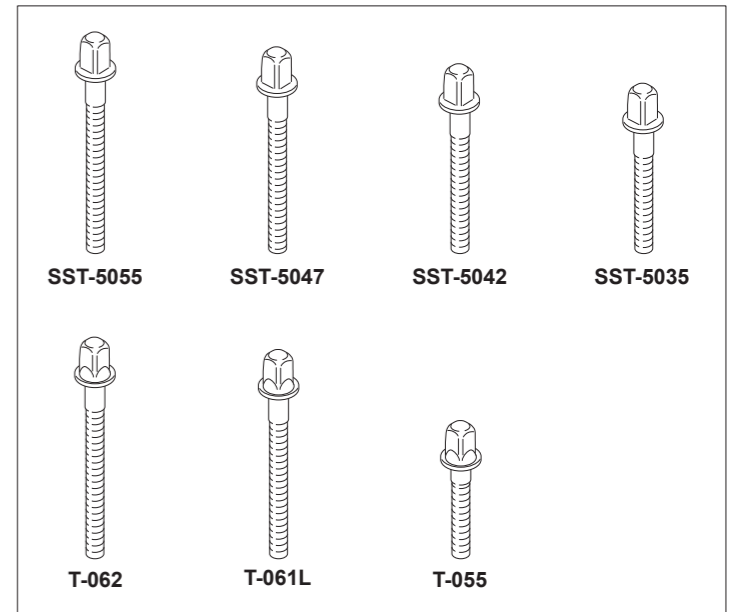
Number	Nut	Stopper	Gasket	Screw					Application
				4PLY	6PLY	6PLY, Thin	8PLY	8PLY, Thin	
STL-150	---	---	NP-444P (Large) NP-497 (Small)	---	---	SC-404R SM-418B	---	SC-414R SM-420B	RFP
BRL-100	DC-6RS	NP-408N	NP-410P	---	SM-414B	---	SM-416B	---	RF
CL-100	DC-6US	NP-135N	NP-240P (Large) NP-241P (Large)	SM-411B	SM-414B	SM-411B	---	---	MRV, MCT
NDL-100/C	DC-6FE	PL-043	PL-059	---	---	SM-411B	---	---	DMP
NEL-100/C	DC-6FE	PL-043	---	---	SM-411B	---	---	---	EXL, EXX, MDT

Bass Drum Tension Claws & Bolts



Number	Application
CW-300	RF, RFP, MRV
D-054	MCT, SSC, FW
DCW-300/C	DMP
TCW-300/C	VISION
CW-80	EXPORT/MDT
SST-6115	M6 x 115mm for RF, RFP, MRV
T-066	M6 x 115mm for MCT, SSC, FW
TR-5100	W7/32 x 100mm for DMP, EXL, EXX, MDT

Tension Key Rods



Number	Dia X Length	Application
SST-5055	W7/32 x 55mm	5.5" Deep MRV Snare Drums
SST-5047	W7/32 x 47mm	RF / RFP / 6.5" Deep MRV Snare Drums, Sensi Tone Snare Drum, Hybrid Exotic Snare Drums (snare side ONLY), OH1350, DC1450S/N, JJ1365N, M1270, RF / RFP / MRV Toms
SST-5042	W7/32 x 42mm	5" / 6.5" / 8" Deep FFS Snare Drums, IP1465
SST-5035	W7/32 x 35mm	3.5" Deep FFS Snare Drums, M1060
T-062	W7/32 x 52mm	5.5" Deep MCT / SSC Snare Drums, FCP / FCS Snare Drums
T-061L	W7/32 x 47mm	6.5" Deep MCT / SSC Snare Drums, MCT / SSC / FW Toms
T-055	W7/32 x 28mm	3" Deep Piccolo Snare Drums
TR-5052	W7/32 x 52mm	DMP / EXL / EXX / MDT Snare Drums
TR-5047	W7/32 x 47mm	DMP / EXL / EXX / MDT Toms

IP1465 Parts



Number	Description
NP-104	Rubber O Ring
NP-270	Fiber Washer

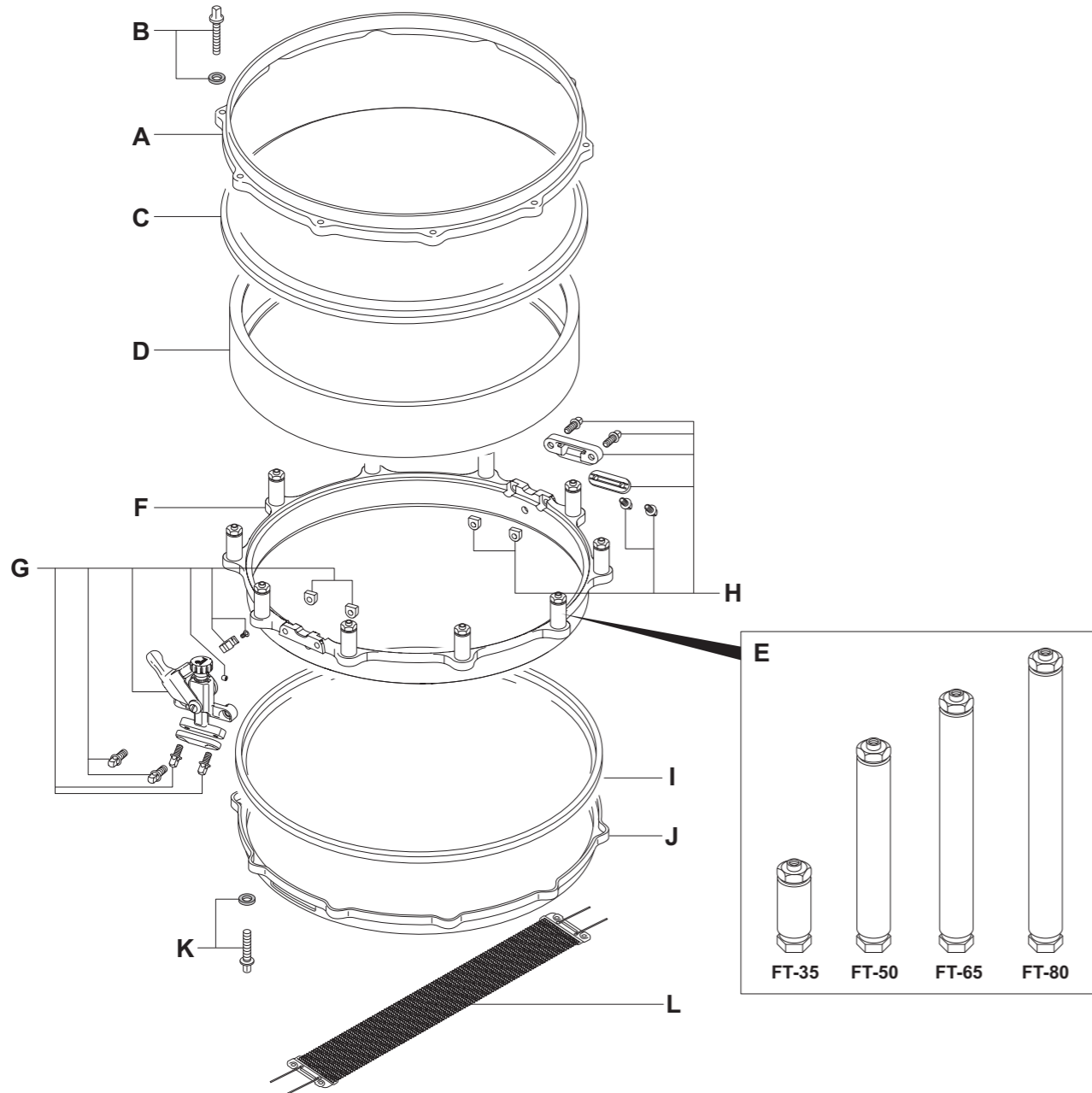
Washers for Tension Key Rods



Number	Description
NLW-12B	Nylon Washer
MTW-12	Metal Washer

F.F.S. SNARE DRUM

Free Floating System Snare Drum

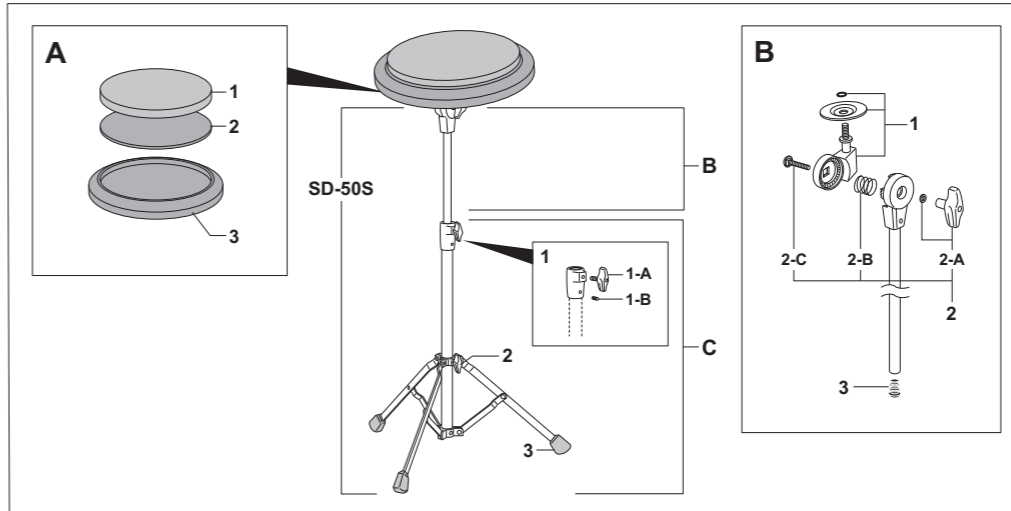


Free Floating System Snare Drum

A	DC-1410	Die-Cast Hoop for Batter Side	F	ARC-1410	Aluminum Ring Chassis ONLY
B	SST-5035	Tension Key Rod w/Washer for 3.5" Deep SD (one each)	G	SR-160FA	Release Side Assy. Complete
	SST-5042	Tension Key Rod w/Washer for 5" & 6.5" Deep SD (one each)	H	SR-160E	Butt Side Assy. Complete
C		Head for Batter Side	I		Head for Snare Side
D		Shell	J	DC-1410S	Die-Cast Hoop for Snare Side
E	FT-35	Lug Post for 3.5" Deep SD	K	SST-5035	Tension Key Rod w/Washer for 3.5" Deep SD (one each)
	FT-50	Lug Post for 5" Deep SD		SST-5042	Tension Key Rod w/Washer for 5" & 6.5" Deep SD (one each)
	FT-65	Lug Post for 6.5" Deep SD	L	SN-1420I	Ultra Sound Snare Wire "I" Type
	FT-80	Lug Post for 8" Deep SD			

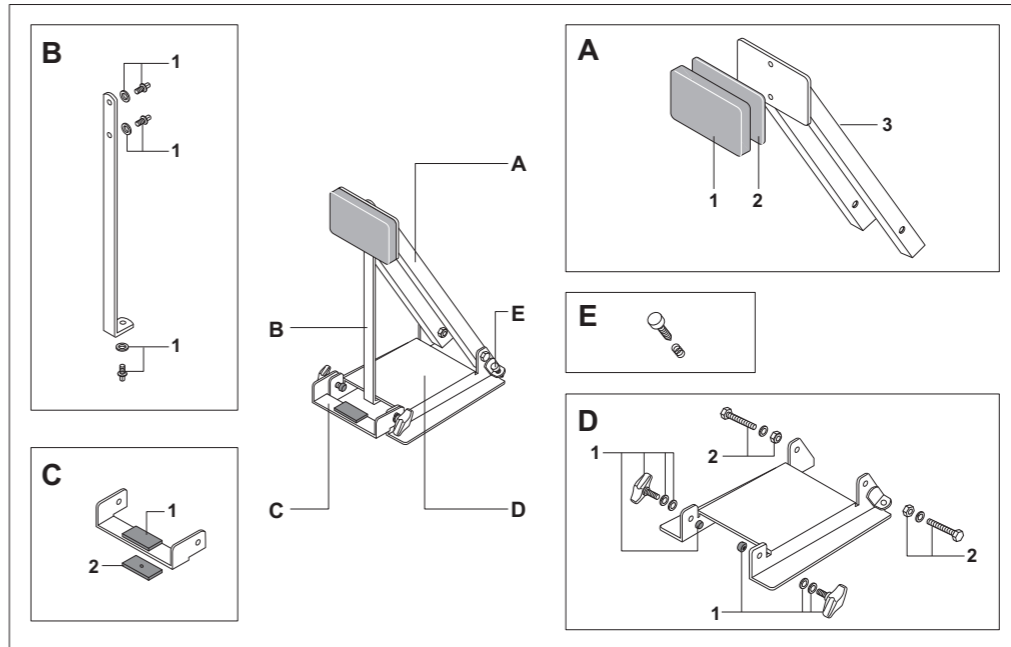
PRACTICE PADS

SD-50



A	PAD-80	Practice Pad Complete
1	NP-202	Rubber Pad
2	NP-202N	Rubber Cushion
3	NP-203	Base
	SD-50S	Stand ONLY for SD-50
B	UT-SD50	Upper Tube Assy. Complete
1	ZD-072SDA	Tilter w/Washer & O-Ring
2	SN-70A	Bolt & Nut Set w/Spring
2-A	UGN-8	Die-Cast Wing Nut w/Washer
2-B	SG-001	Spring
2-C	SC-36B-ED	Clamp Bolt
3	NP-212	Plastic End Cap
C	BA-SD50	Base Assy. Complete
1	PJ-45	Die-Cast Joint Assy. Complete
1-A	UGB-815S	Die-Cast Wing Bolt
1-B	SB-44	Allen Screw
2	UGB-820C	Die-Cast Wing Bolt
3	NP-12P	Rubber Tip (one each)

BD-10



A	DP-10	Pad Assy. Complete
1	NP-201	Rubber Pad
2	NP-201N	Rubber Cushion
3	DP-10B	Base
B	BSB-10	Supporting Bar Assy. Complete
1	KB-610W	Key Bolt w/Washer (one set)
C	CP-10	Clamp Plate Complete
1	NP-140	Rubber Protector
2	NP-518	Rubber Protector
D	BFP-10	Floor Plate Assy. Complete
1	UGB-620WCP	Die-Cast Wing Bolt w/Washers & Cap (one set)
2	SC-144A	Mounting Screw w/Washer & Nut (one set)
E	LT-626	Anchor Screw w/Spring