

Pearl[®]

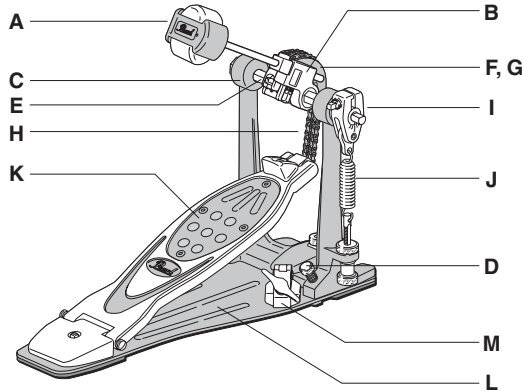
PEARL DRUMS
Spare Parts Catalog
2006

CONTENTS

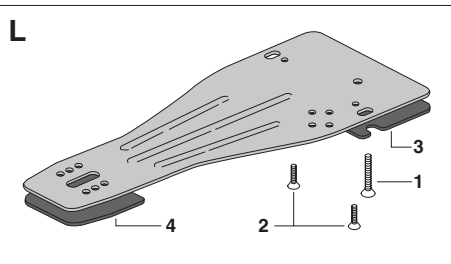
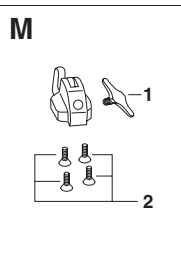
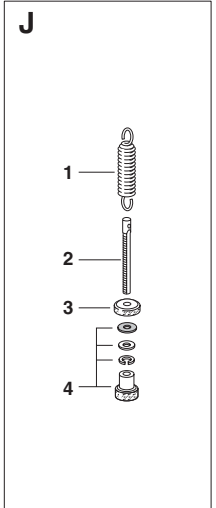
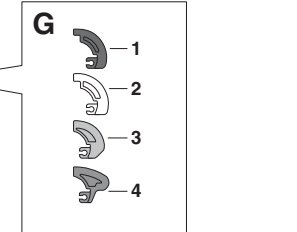
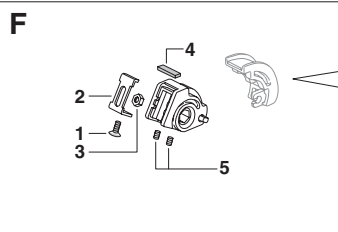
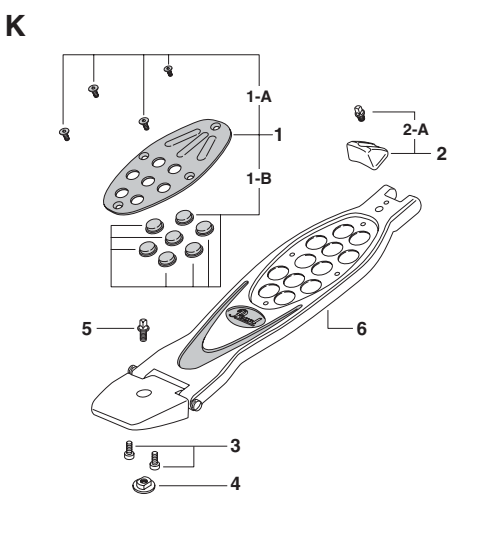
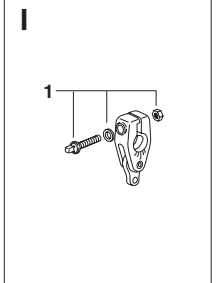
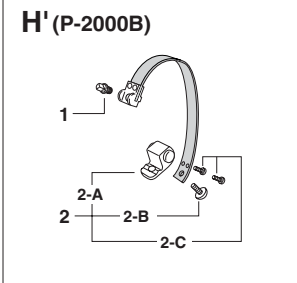
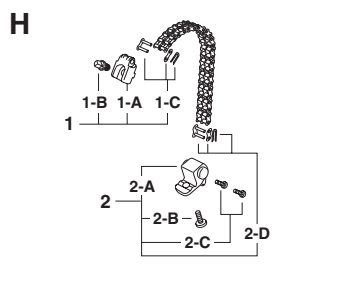
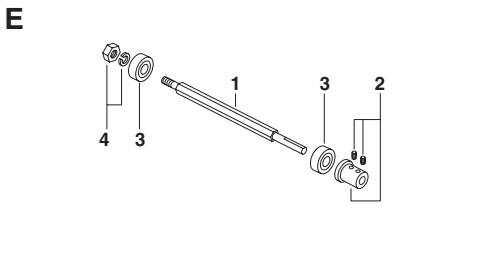
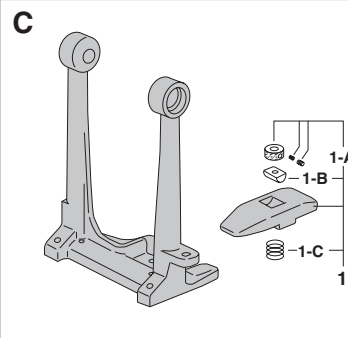
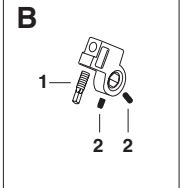
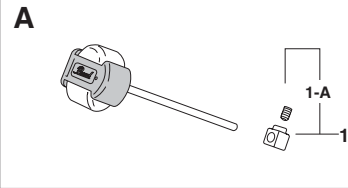
DRUM PEDALS	1~11
HI-HAT STANDS	12~18
PEDAL STABILIZER, HI-HAT ACCESSORIE	19~20
SNARE STANDS	21~24
DRUM THRONES	25~26
CYMBAL BOOM STANDS	27~29
CYMBAL STANDS	30
TOM STANDS	31
CYMBAL HOLDERS	32~33
TOM HOLDERS	34
ADAPTERS	35
DRUM RACKS, PIPE CLAMPS, RACK JOINT	36~37
TOM HOLDER BASSES, BRACKETS	38
OPTIMOUNT, I.S.S.	39
BASS DRUM SPURS	40
PRACTICE PADS	41
STRAINERS	42~43
F.F.S. SNARE DRUM	44
LUGS, BOLTS, TENSION CLAWS	45~46
HOOPS	47
PRACTICE KITS	48

DRUM PEDALS

P-2000C / P-2000B



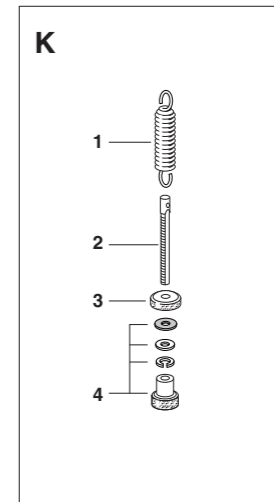
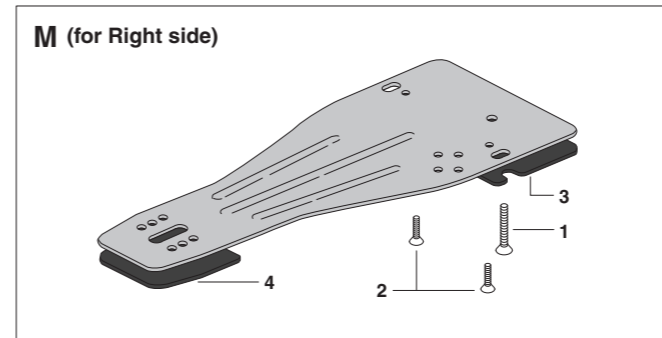
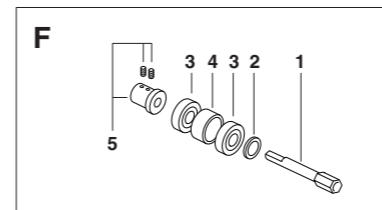
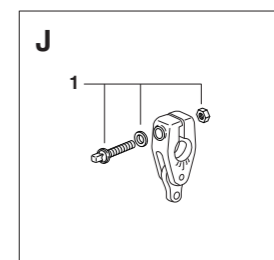
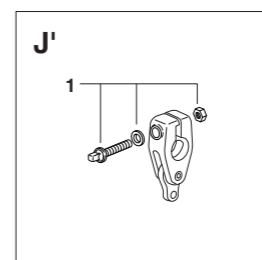
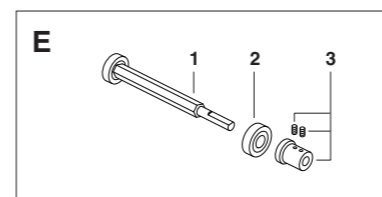
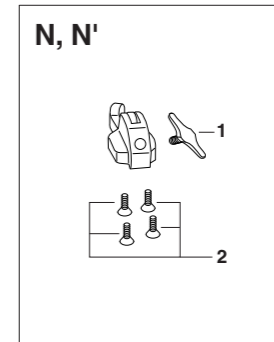
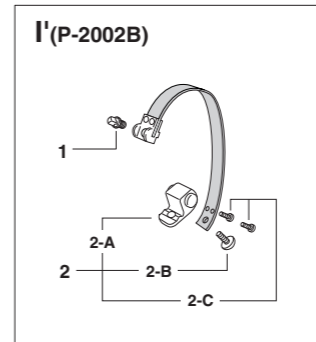
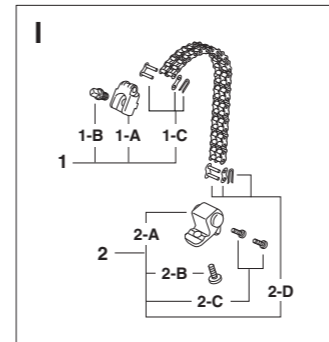
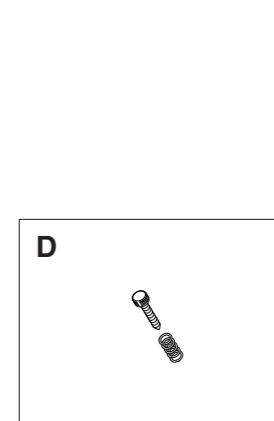
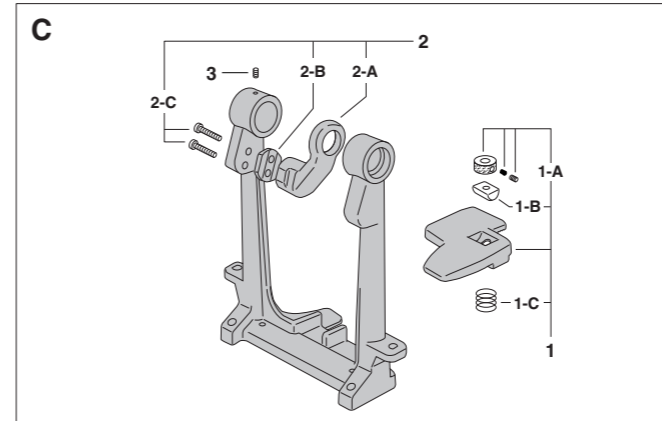
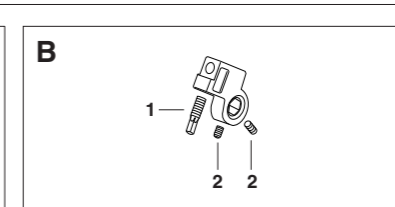
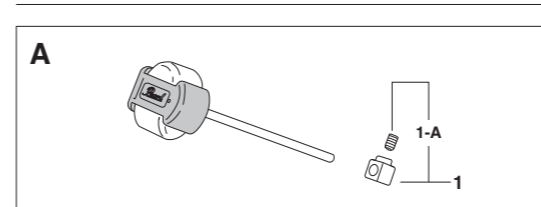
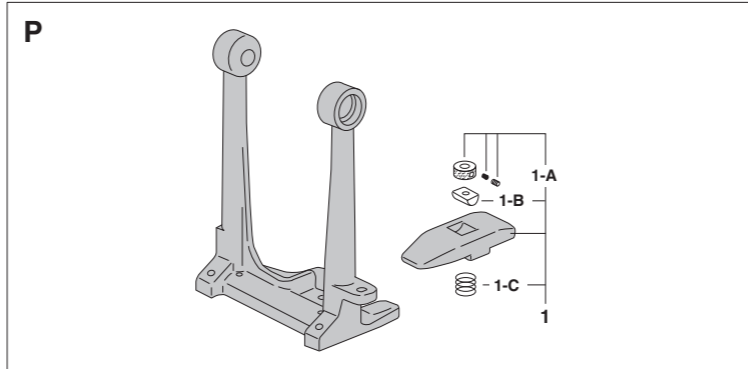
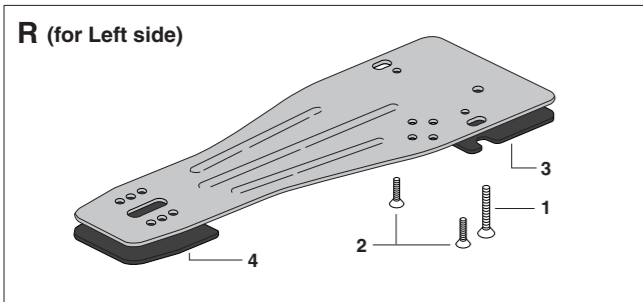
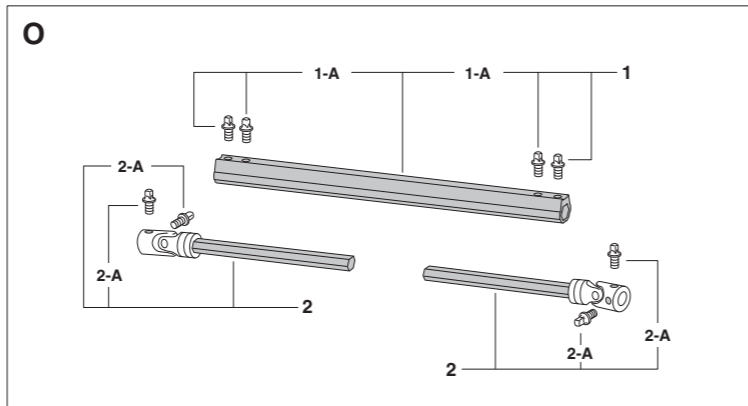
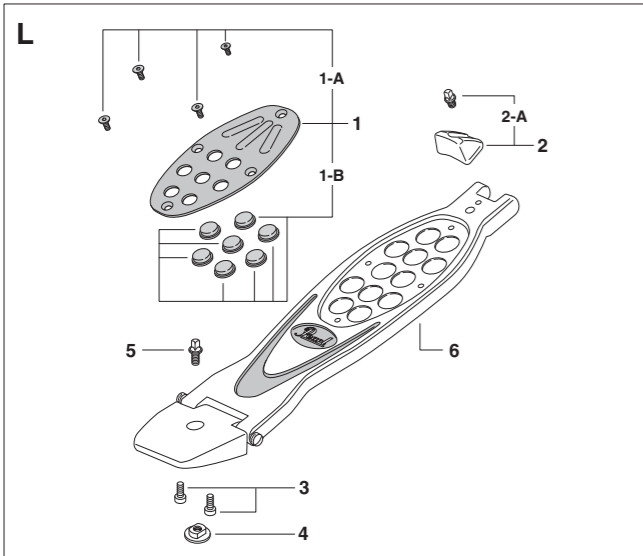
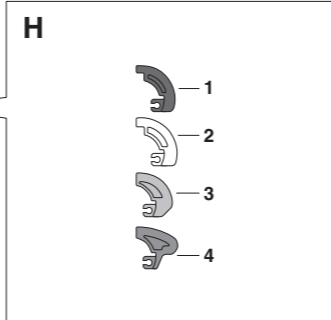
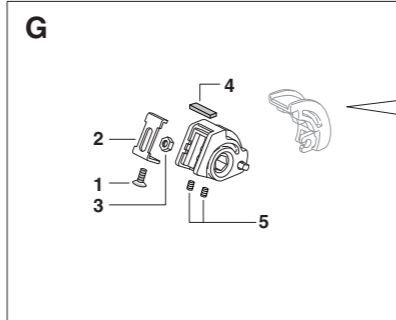
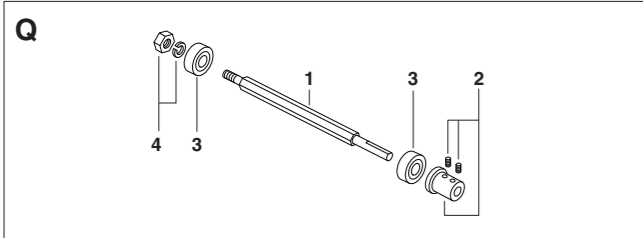
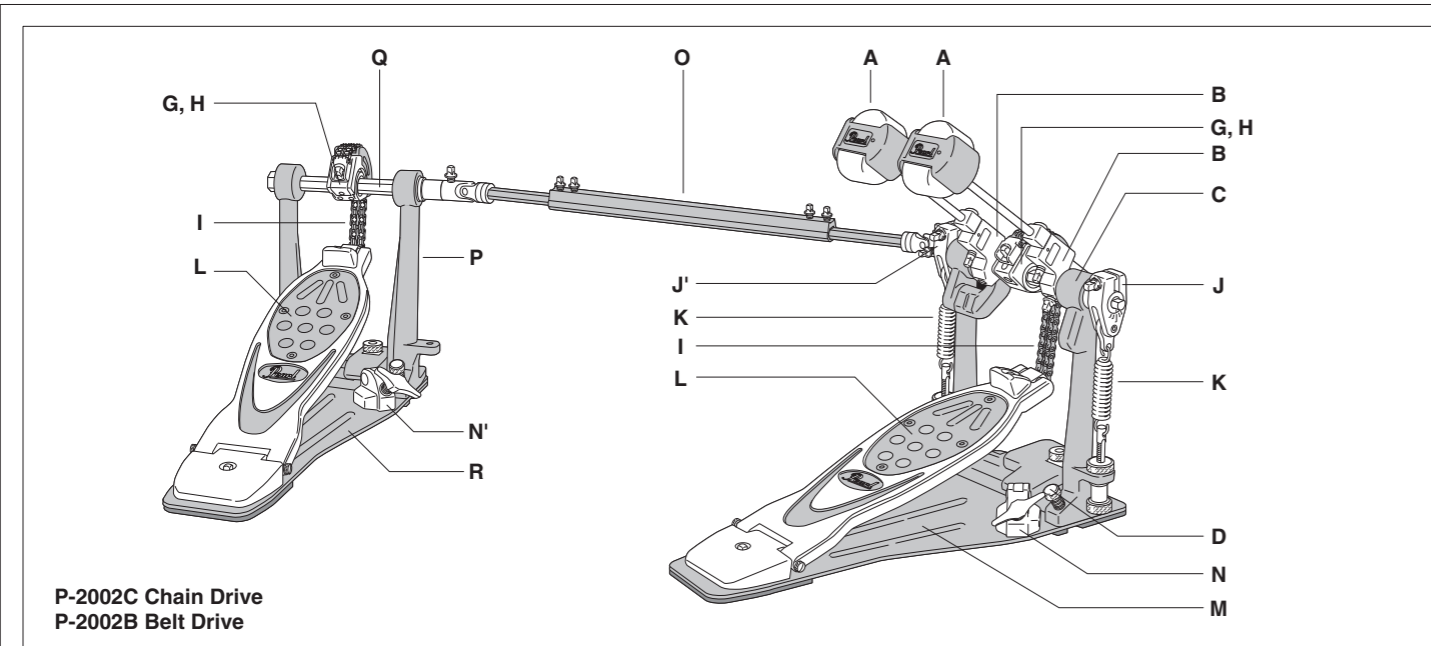
P-2000C Chain Drive
P-2000B Belt Drive



- | | | | | | | | | |
|----------|-----------------|--------------------------------------|-----------|-----------------|--|----------|-----------------|--------------------------------------|
| A | B-200QB | Quad Beater, Complete | G | | Interchangeable Cam | J | SPA-64AN | Spring Assy. Complete |
| 1 | DC-394A | Beater Setting Stopper Assy. | 1 | CAM-BK | Black Cam | 1 | SP-64F | Spring (w/Felt) ONLY |
| 1-A | SB-66 | Allen Screw | 2 | CAM-WT | White Cam | 2 | ME-499 | Adjustment Bolt |
| B | DC-395NA | Beater Holder Link, complete | 3 | CAM-BL | Blue Cam | 3 | ME-500 | Upper Nut |
| 1 | KB-814 | Key Bolt | 4 | CAM-RD | Red Cam | 4 | ME-391NA | Lower Nut w/Washers |
| 2 | SB-66 | Allen Screw | H | CCA-5 | Double Chain Assy. Complete / P-2000C | K | FB-2000A | Footboard Assy. Complete |
| C | DC-513A | Pedal Frame w/Hoop Clamp | 1 | DC-511AA | Chain Connecting Bracket Assy. (Top) | 1 | AL-24A | Traction Plate Assy. |
| 1 | DC-514A | Hoop Clamp Assy. | 1-A | DC-511A | Chain Connecting Bracket Only (Top) | 1-A | SC-344 | Mounting Screw (one each) |
| 1-A | ME-505A | Adjustment Knob Assy. | 1-B | KB-508 | Key Bolt (short) | 1-B | NP-283N | Traction Grip |
| 1-B | ME-507 | Pivot block | 1-C | ME-244 | Chain End Connector Assy. | 2 | DC-508A | Toe Stopper Assy. |
| 1-C | SP-032 | Spring | 2 | DC-511BA | Chain Connecting Bracket Assy. (Bottom) | 2-A | KB-508 | Key bolt |
| D | LT-636 | Anchor Screw w/Spring | 2-A | DC-511B | Chain Connecting Bracket Only (Bottom) | 3 | SC-261 | Screw (one each) |
| E | ME-501A | Hexagonal Axle Assy. | 2-B | SC-322S | Screw | 4 | DC-398 | Heel Position Adjust Nut |
| 1 | ME-501 | Hexagonal Axle ONLY | 2-C | SC-284 | Screw (one each) | 5 | KB-608 | Key Bolt |
| 2 | ME-393N | Axle Sleeve w/Set Screws | 2-D | ME-244 | Chain End Connector Assy. | 6 | DC-512SN | Footboard Assy. ONLY |
| 3 | NU-07B | Bearing (one each) | H' | BCA-1 | Belt Assy. Complete / P-2000B | L | PR-548A | Power Plate Assy. Complete |
| 4 | BSA-3 | End Nut w/Washer | 1 | KB-512 | Key Bolt (long) | 1 | SC-325 | Screw |
| F | DC-509A | Aluminum Wheel Assy. Complete | 2 | DC-510BA | End Connector Assy. (Bottom) | 2 | SC-149 | Screw (one each) |
| 1 | SC-327 | Flat-head Screw | 2-A | DC-510B | End Connector ONLY | 3 | NP-284S | Rubber Mat (Front) |
| 2 | PR-546 | Slider Bracket | 2-B | SC-322L | Screw | 4 | NP-285 | Rubber Mat (Heel) |
| 3 | NU-10 | Hexagonal Nut | 2-C | SC-287 | Screw (one each) | M | DC-399S | Hoop Clamp Cam Assy. Complete |
| 4 | FE-40C | Felt | I | DC-396NA | Uni-Lock Beater Angle Cam, Complete | 1 | M-820C | Wing Bolt |
| 5 | SB-66 | Allen Screw (one each) | 1 | KB-630A | Bolt & Nut Set | 2 | SC-191BN | Screw (one each) |

DRUM PEDALS

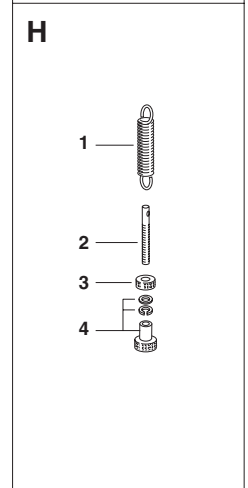
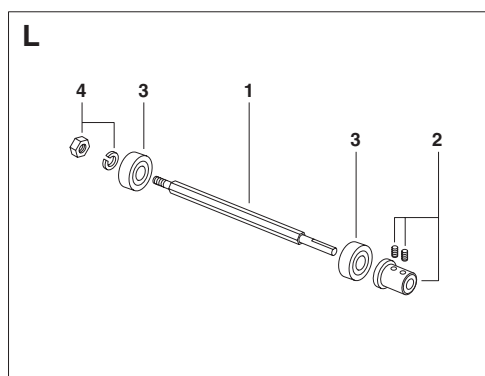
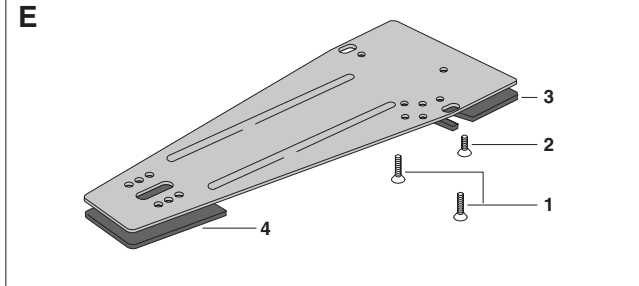
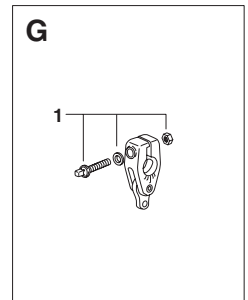
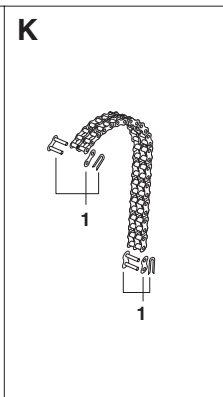
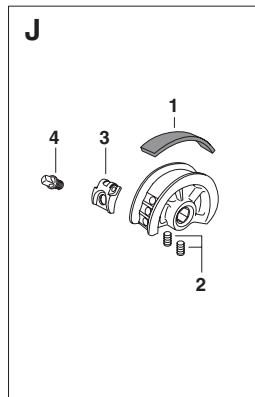
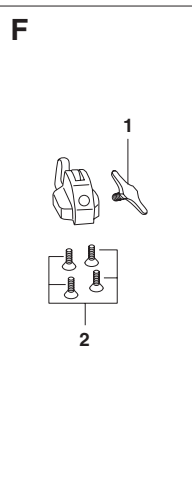
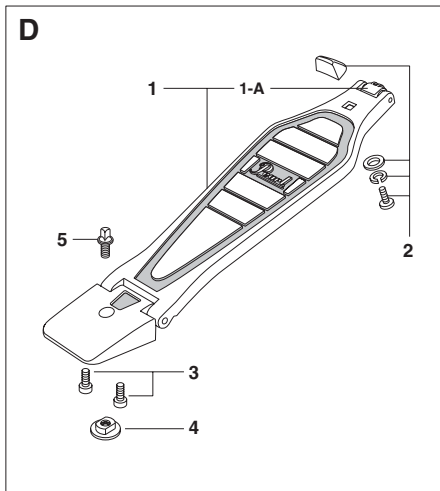
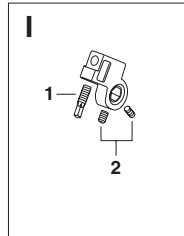
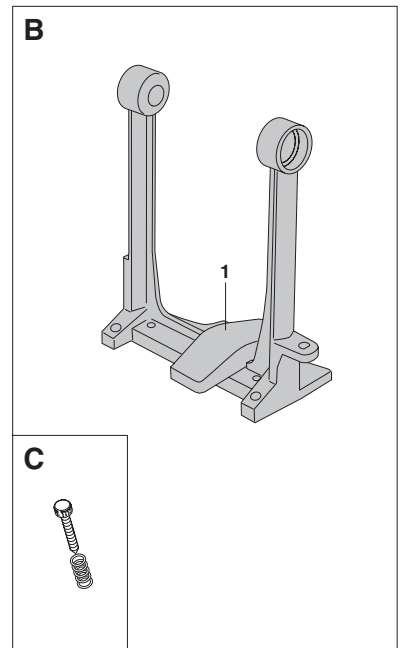
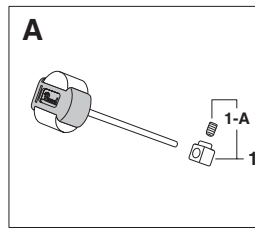
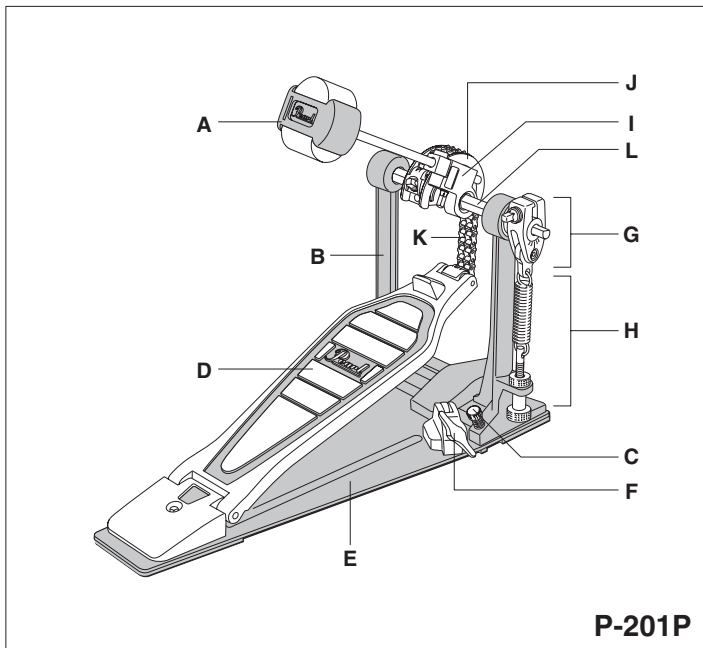
P-2002C / P-2002B



- A** **B-200QB** **Quad Beater Complete**
- 1 DC-394A Beater Setting Stopper Assy.
- 1-A SB-66 Allen Screw
- B** **DC-395NA** **Beater Holder Link Complete**
- 1 KB-814 Key Bolt
- 2 SB-66 Allen Screw
- C** **DC-515A** **Pedal Frame w/Hoop Clamp**
- 1 DC-517A Hoop Clamp Assy.
- 1-A ME-505A Adjustment Knob Assy.
- 1-B ME-507 Pivot Block
- 1-C SP-032 Spring
- 2 ASA-2000A Axle Support Arm Assy. Complete
- 2-A DC-516 Axle Support Arm
- 2-B DC-314NA Axle Support Arm Spacer
- 2-C SC-222 Screw (one each)
- 3 SB-44 Allen Screw
- D** **LT-636** **Anchor Screw w/Spring**
- E** **ME-503A** **Hexagonal Axle Assy.**
- 1 ME-503B Hexagonal Axle w/bearing ONLY
- 2 NU-07B Bearing (one each)
- 3 ME-393N Axle Sleeve w/Set Screws
- F** **ME-502A** **Hexagonal Axle Assy.**
- 1 ME-502 Hexagonal Axle ONLY
- 2 WS-49 Washer
- 3 NU-07B Bearing
- 4 ME-506 Bearing Spacer
- 5 ME-393N Axle Sleeve w/Set Screws
- G** **DC-509A** **Aluminum Wheel Assy. Complete**
- 1 SC-327 Flat-head Screw
- 2 PR-546 Slider Bracket
- 3 NU-10 Hexagonal Nut
- 4 FE-40C Felt
- 5 SB-66 Allen Screw (one each)
- H** **Interchangeable Cam**
- 1 CAM-BK Black Cam
- 2 CAM-WT White Cam
- 3 CAM-BL Blue Cam
- 4 CAM-RD Red Cam
- I** **CCA-5** **Double Chain Assy. Complete / P-2002C**
- 1 DC-511AA End Connector Assy. (Top)
- 1-A DC-511A End Connector Only (Top)
- 1-B KB-508 Key Bolt (short)
- 1-C ME-244 Chain End Connector Assy.
- 2 DC-511BA End Connector Assy. (Bottom)
- 2-A DC-511B End Connector Only (Bottom)
- 2-B SC-322S Screw
- 2-C SC-284 Screw (one each)
- 2-D ME-244 Chain End Connector Assy.
- I'** **BCA-1** **Belt Assy. Complete / P-2002B**
- 1 KB-512 Key Bolt (long)
- 2 DC-510BA End Connector Assy. (Bottom)
- 2-A DC-510B End Connector Only
- 2-B SC-322L Screw
- 2-C SC-287 Screw (one each)
- J** **DC-396NA** **Uni-Lock Beater Angle Cam Complete**
- 1 KB-630A Bolt & Nut Set
- J'** **DC-396NAL** **Uni-Lock Beater Angle Cam Complete (Left Side)**
- 1 KB-630A Bolt & Nut Set
- K** **SPA-64AN** **Spring Assy. Complete**
- 1 SP-64F Spring (w/Felt) ONLY
- 2 ME-499 Adjustment Bolt
- 3 ME-500 Upper Nut
- 4 ME-391NA Lower Nut w/Washers
- L** **FB-2000A** **Footboard Assy. Complete**
- 1 AL-24A Traction Plate Assy.
- 1-A SC-344 Mounting Screw (one each)
- 1-B NP-283N Traction Grip
- 2 DC-508A Toe Stopper Assy.
- 2-A KB-508 Key Bolt
- 3 SC-261 Screw (one each)
- 4 DC-398 Heel Position Adjust Nut
- 5 KB-508 Key Bolt
- 6 DC-512SN Footboard Assy. Only
- M** **PR-549A** **Power Plate Assy. Complete (Right Side)**
- 1 SC-325 Screw
- 2 SC-149 Rubber Mat (Front)
- 3 NP-284L Rubber Mat (Front)
- 4 NP-285 Rubber Mat (Heel)
- N** **DC-399W** **Hoop Clamp Cam Assy. Complete**
- 1 M-820C Wing Bolt
- 2 SC-191BN Screw (one each)
- N'** **DC-399S** **Hoop Clamp Cam Assy. Complete**
- 1 M-820C Wing Bolt
- 2 SC-191BN Screw (one each)
- O** **DS-200A** **Drive Shaft Assy. Complete**
- 1 SP-65A Drive Shaft Sleeve w/Key Bolts
- 1-A KB-608 Key Bolt (one each)
- 2 HS-200A Hexagonal Drive Shaft w/Key Bolts (one set)
- 2-A KB-508 Key Bolt (one each)
- P** **DC-513A** **Pedal Frame w/Hoop Clamp**
- 1 DC-514A Hoop Clamp Assy.
- 1-A ME-505A Adjustment Knob Assy.
- 1-B ME-507 Pivot Block
- 1-C SP-032 Spring
- Q** **ME-501A** **Hexagonal Axle Assy.**
- 1 ME-501 Hexagonal Axle ONLY
- 2 ME-393N Axle Sleeve w/Set Screws
- 3 NU-07B Bearing (one each)
- 4 BSA-3 End Nut w/ Washer
- R** **PR-548A** **Power Plate Assy. Complete (Left Side)**
- 1 SC-325 Screw
- 2 SC-149 Rubber Mat (Front)
- 3 NP-284S Rubber Mat (Front)
- 4 NP-285 Rubber Mat (Heel)

DRUM PEDALS

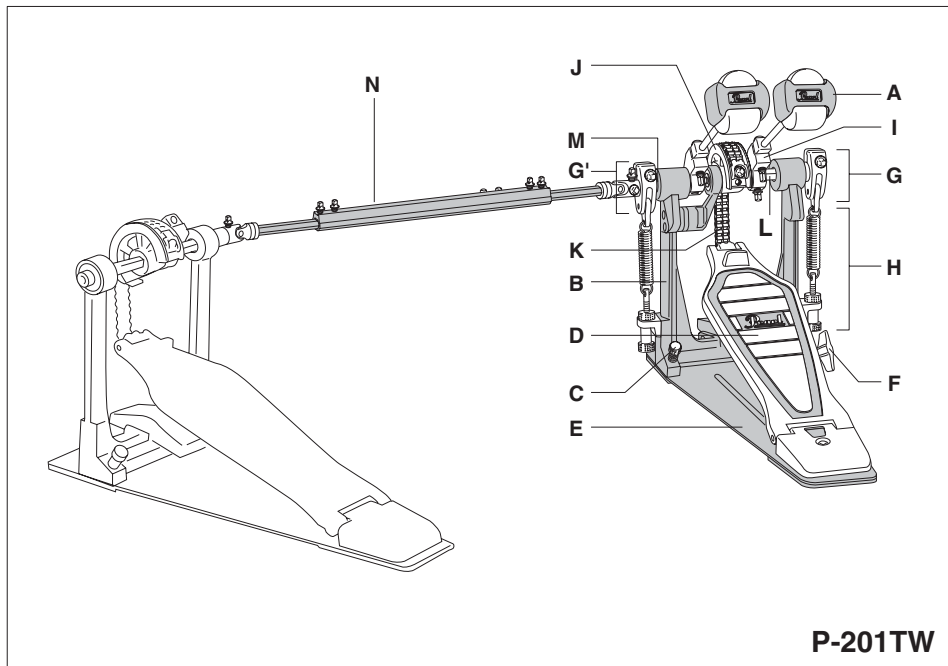
P-201P



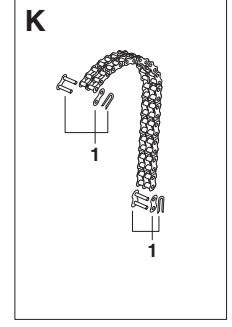
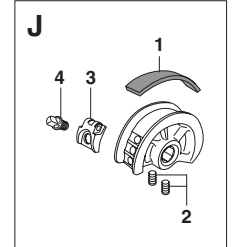
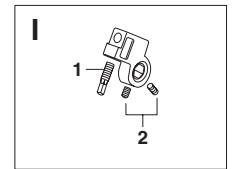
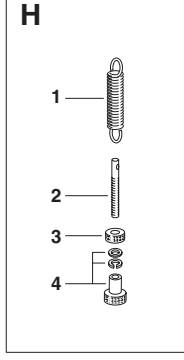
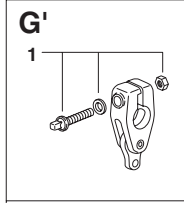
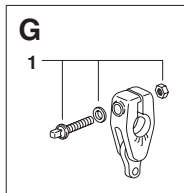
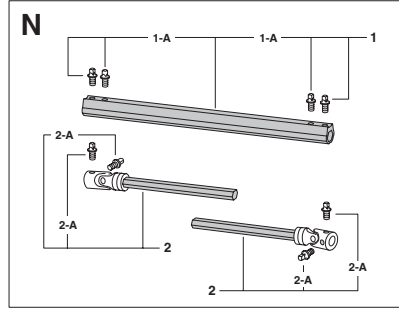
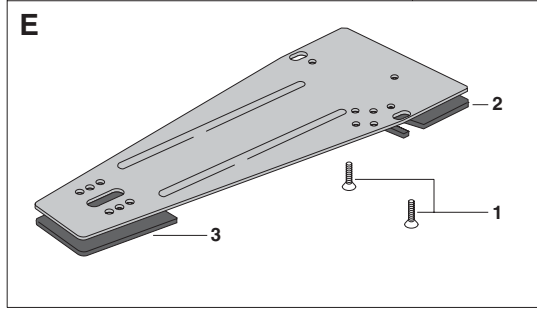
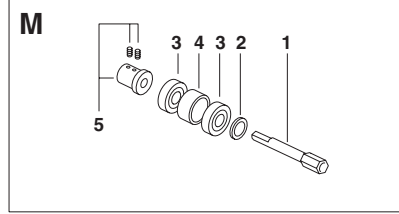
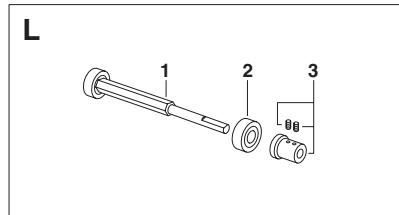
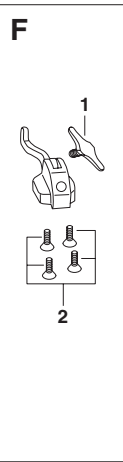
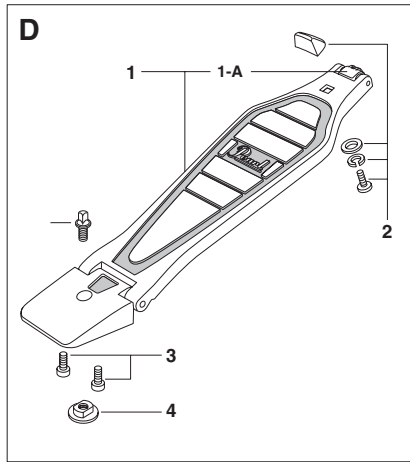
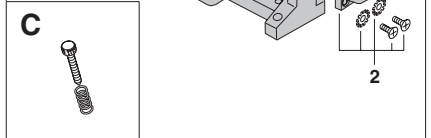
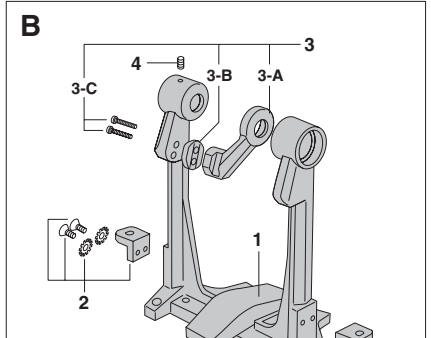
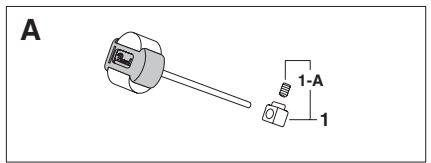
- | | | | | | | | | |
|----------|----------------|-----------------------------------|----------|-----------------|---|----------|----------------|--|
| A | B-200QB | Quad Beater | F | DC-399AN | Hoop Clamp Cam Assy. Complete | J | DC-401A | Aluminum Wheel Assy. Complete |
| 1 | DC-394A | Beater Setting Stopper Assy. | 1 | M-820C | Wing Bolt | 1 | FE-35 | Felt Strip |
| 1-A | SB-66 | Allen Screw | 2 | SC-191BN | Screw (one each) | 2 | SB-66 | Allen Screw (one each) |
| B | DC-404A | Pedal Frame w/Hoop Clamp | G | DC-396NA | Uni-Lock Beater Angle Cam w/Bolt & Nut Set | 3 | DC-400 | Chain Connector |
| 1 | DC-397A | Hoop Clamp w/Pin | 1 | KB-630A | Bolt & Nut Set | 4 | KB-608 | Key Bolt |
| C | LT-636 | Anchor Screw w/Spring | H | SPA-6AN | Spring Assy. Complete | K | ME-255A | Connecting Chain Assy. Complete |
| D | FB-201A | Footboard Assy. Complete | 1 | SP-31F | Spring (w/Felt) ONLY | 1 | ME-244 | Chain End Connector Assy. (one each) |
| 1 | DC-402A | Footboard w/Chain Connector | 2 | SAS-657 | Adjustment Bolt | L | ME-392A | Hexagonal Axle Assy. |
| 1-A | CCP-95 | Chain Connector w/Pin | 3 | ME-336 | Upper Nut | 1 | ME-392 | Hexagonal Axle ONLY |
| 2 | DC-392A | Toe Stopper Assy. | 4 | ME-391A | Lower Nut w/Washers | 2 | ME-393N | Axle Sleeve w/Set Screws |
| 3 | SC-261 | Screw (one each) | I | DC-395NA | Beater Holder Link, Complete | 3 | NU-07B | Bearing (one each) |
| 4 | DC-398 | Heel Position Adjust Nut | 1 | KB-814 | Key Bolt | 4 | BSA-3 | End Nut w/Washer |
| 5 | KB-608 | Key Bolt | 2 | SB-66 | Allen Screw (one each) | | | |
| E | FP-201A | Power Plate Assy. Complete | | | | | | |
| 1 | SC-149 | Screw (one each) | | | | | | |
| 2 | SC-39 | Screw | | | | | | |
| 3 | NP-199A | Rubber Mat (Front) | | | | | | |
| 4 | NP-199B | Rubber Mat (Heel) | | | | | | |

DRUM PEDALS

P-201TW



P-201TW



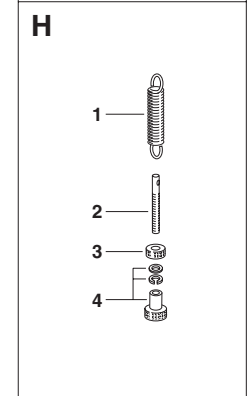
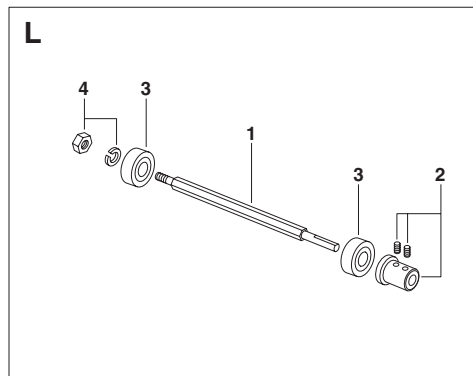
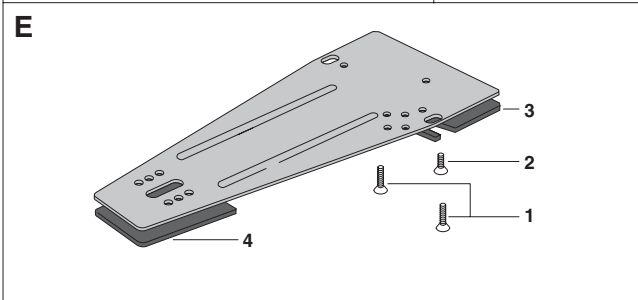
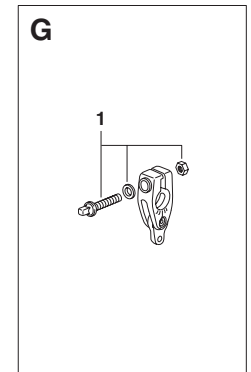
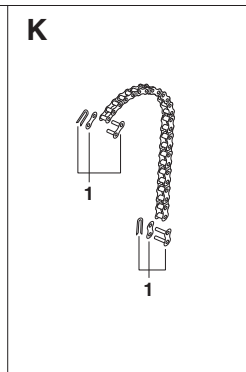
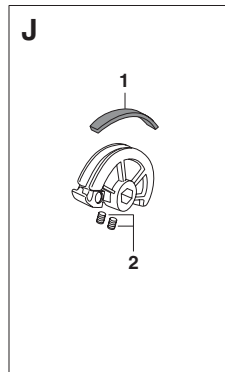
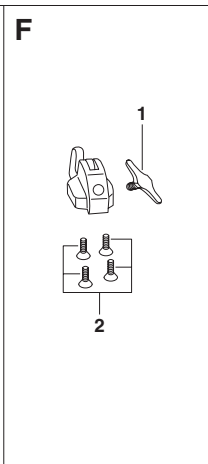
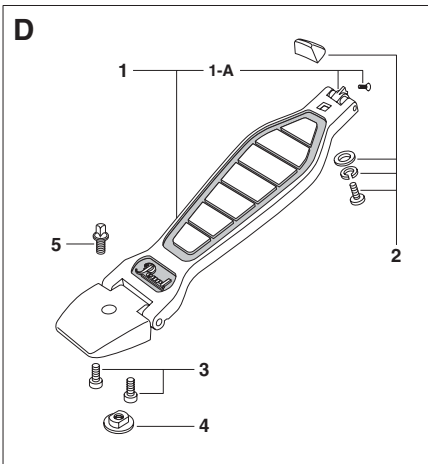
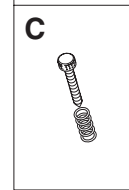
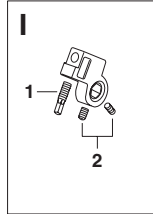
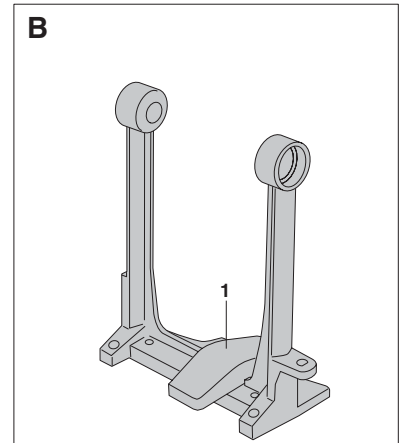
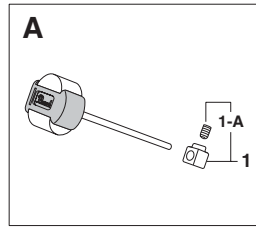
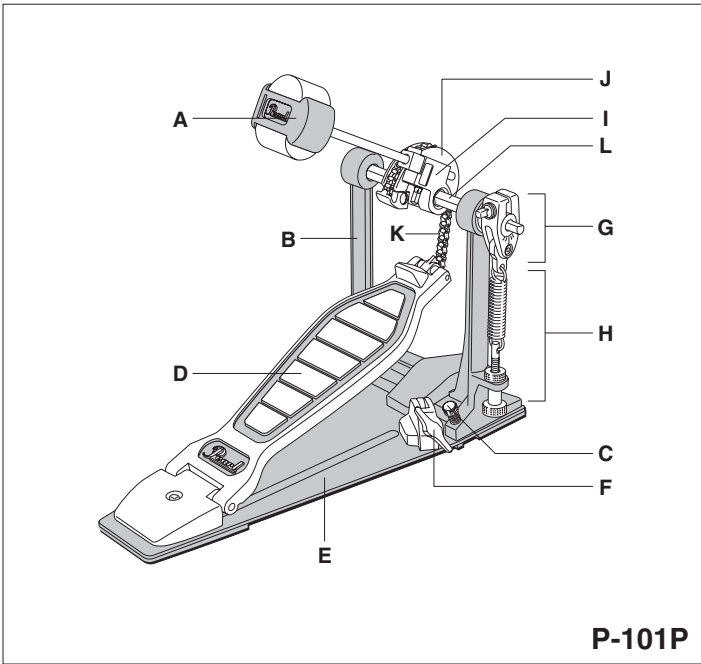
- A B-200QB Quad Beater**
- 1 DC-394A Beater Setting Stopper Assy.
- 1-A SB-66 Allen Screw
- B DC-312A Pedal Frame w/Hoop Clamp**
- 1 DC-397A Hoop Clamp w/Pin
- 2 DC-156A Spring Anchor Plate w/Screw & Washers (one set)
- 3 ASA-201A Axle Support Arm Assy. Complete
- 3-A DC-313N Axle Support Arm
- 3-B DC-314N Axle Support Arm Spacer
- 3-C SC-222 Screw (one each)
- 4 SB-44 Allen Screw
- C LT-636 Anchor Screw w/Spring**
- D FB-201A Footboard Assy. Complete**
- 1 DC-402A Footboard w/Chain Connector
- 1-A CCP-95 Chain Connector w/Pin
- 2 DC-392A Toe Stopper Assy.
- 3 SC-261 Screw (one each)
- 4 DC-398 Heel Position Adjust Nut
- 5 KB-608 Key Bolt

- E FP-201A Power Plate Assy. Complete**
- 1 SC-149 Screw (one each)
- 2 NP-199A Rubber Mat (Front)
- 3 NP-199B Rubber Mat (Heel)
- F DC-399ATN Hoop Clamp Cam Assy. Complete**
- 1 M-820C Spring Bolt
- 2 SC-191BN Screw (one each)
- G DC-396NA Uni-Lock Beater Angle Cam w/Bolt & Nut Set**
- 1 KB-630A Bolt & Nut Set
- G' DC-396NAL Uni-Lock Beater Angle Cam w/Bolt & Nut Set**
- 1 KB-630A Bolt & Nut Set
- H SPA-6AN Spring Assy. Complete**
- 1 SP-31F Spring (w/Felt) ONLY
- 2 SAS-657 Adjustment Bolt
- 3 ME-336 Upper Nut
- 4 ME-391A Lower Nut w/Washers
- I DC-395NA Beater Holder Link, Complete**
- 1 KB-814 Key Bolt
- 2 SB-66 Allen Screw (one each)

- J DC-401A Aluminum Wheel Assy. Complete**
- 1 FE-35 Felt Strip
- 2 SB-66 Allen Screw (one each)
- 3 DC-400 Chain Connector
- 4 KB-608 Key Bolt
- K ME-225A Connecting Chain Assy. Complete**
- 1 ME-244 Chain End Connector Assy. (one each)
- L ME-394A Hexagonal Axle Assy.**
- 1 ME-394B Hexagonal Axle w/Bearing & Washer
- 2 NU-07B Bearing (one each)
- 3 ME-393N Axle Sleeve w/Set Screws
- M ME-395A Hexagonal Axle Assy.**
- 1 ME-395 Hexagonal Axle ONLY
- 2 WS-49 Washer
- 3 NU-07B Bearing (one each)
- 4 BS-85 Bearing Spacer
- 5 ME-393N Axle Sleeve w/Set Screws
- N DS-200A Drive Shaft Assy. Complete**
- 1 SP-65A Drive Shaft Sleeve w/Key Bolts
- 1-A KB-608 Key Bolt (one each)
- 2 HS-200A Hexagonal Drive Shaft w/Key Bolts (one set)
- 2A KB-508 Key Bolt (one each)

DRUM PEDALS

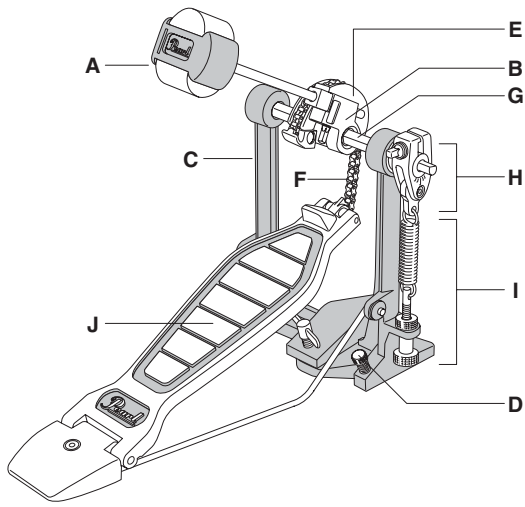
P-101P



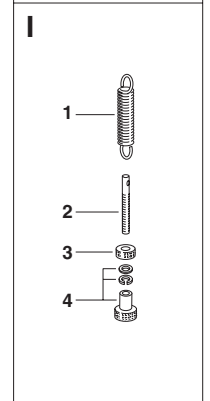
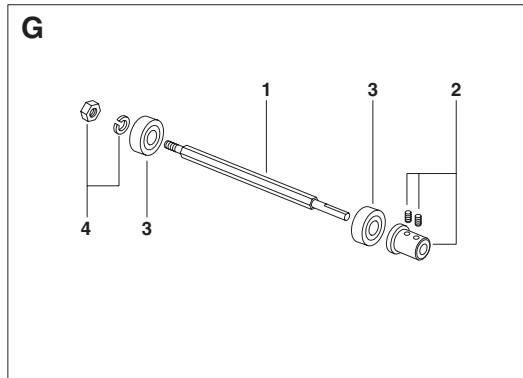
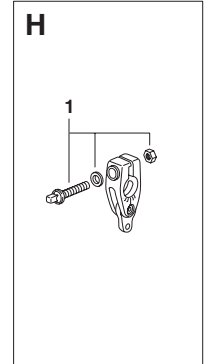
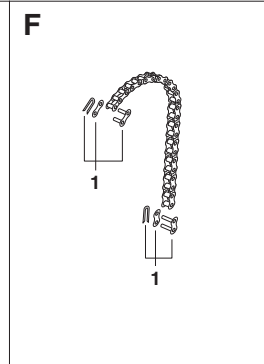
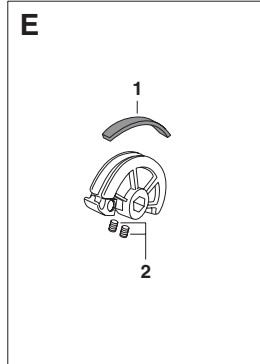
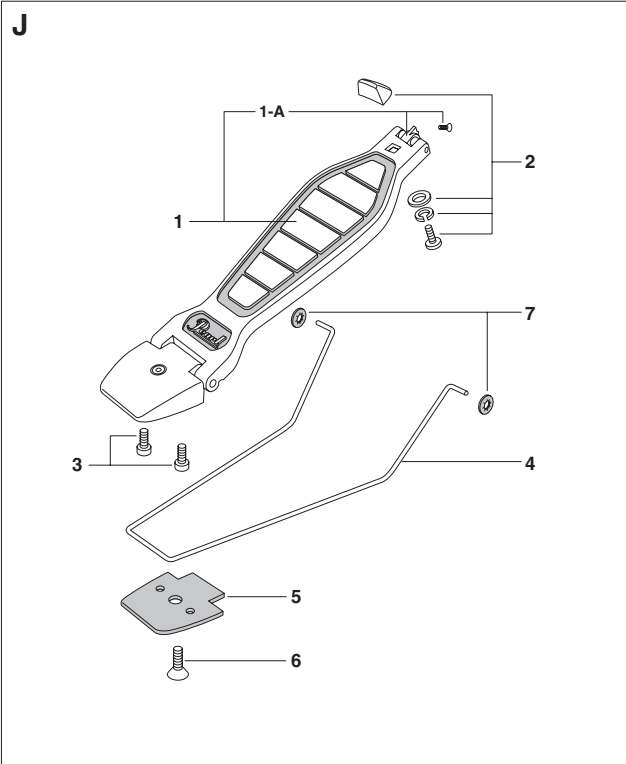
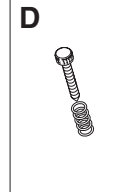
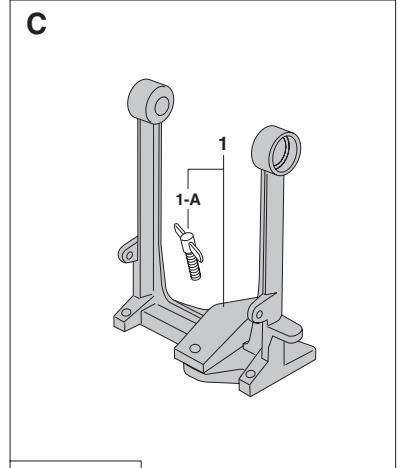
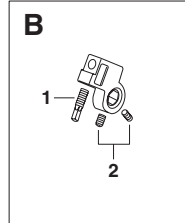
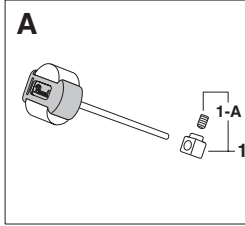
- | | | | | | | | | |
|----------|----------------|-----------------------------------|----------|-----------------|---|----------|----------------|--|
| A | B-200QB | Quad Beater | F | DC-399AN | Hoop Clamp Cam Assy. Complete | K | CCA-1 | Connecting Chain Assy. Complete |
| 1 | DC-394A | Beater Setting Stopper Assy. | 1 | M-820C | Wing Bolt | 1 | ME-212 | Chain End Connector Assy. (one each) |
| 1-A | SB-66 | Allen Screw | 2 | SC-191BN | Screw (one each) | L | ME-392A | Hexagonal Axle Assy. |
| B | DC-404A | Pedal Frame w/Hoop Clamp | G | DC-396NA | Uni-Lock Beater Angle Cam w/Bolt & Nut Set | 1 | ME-392 | Hexagonal Axle ONLY |
| 1 | DC-397A | Hoop Clamp w/Pin | 1 | KB-630A | Bolt & Nut Set | 2 | ME-393N | Axle Sleeve w/Set Screws |
| C | LT-636 | Anchor Screw w/Spring | H | SPA-6AN | Spring Assy. Complete | 3 | NU-07B | Bearing (one each) |
| D | FB-101A | Footboard Assy. Complete | 1 | SP-31F | Spring (w/Felt) ONLY | 4 | BSA-3 | End Nut w/Washer |
| 1 | DC-389A | Footboard w/Chain Connector | 2 | SAS-657 | Adjustment Bolt | | | |
| 1-A | DC-16NA | Chain Connector w/Pin and Screw | 3 | ME-336 | Upper Nut | | | |
| 2 | DC-392A | Toe Stopper Assy. | 4 | ME-391A | Lower Nut w/Washers | | | |
| 3 | SC-261 | Screw (one each) | I | DC-395NA | Beater Holder Link, Complete | | | |
| 4 | DC-398 | Heel Position Adjust Nut | 1 | KB-814 | Key Bolt | | | |
| 5 | KB-608 | Key Bolt | 2 | SB-66 | Allen Screw (one each) | | | |
| E | FP-101A | Power Plate Assy. Complete | J | ALH-2 | Aluminum Wheel Assy. Complete | | | |
| 1 | SC-149 | Screw (one each) | 1 | FE-29 | Felt Strip | | | |
| 2 | SC-39 | Screw | 2 | SB-66 | Allen Screw (one each) | | | |
| 3 | NP-199A | Rubber Mat (Front) | | | | | | |
| 4 | NP-199B | Rubber Mat (Heel) | | | | | | |

DRUM PEDALS

P-101



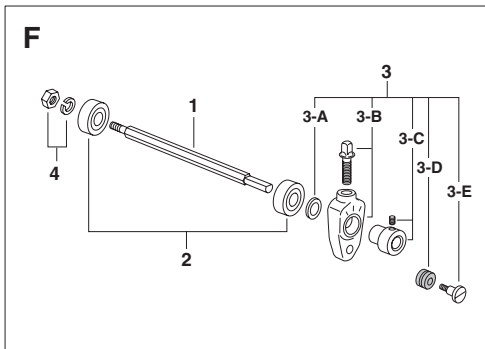
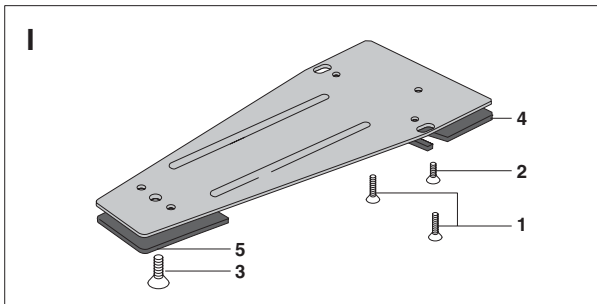
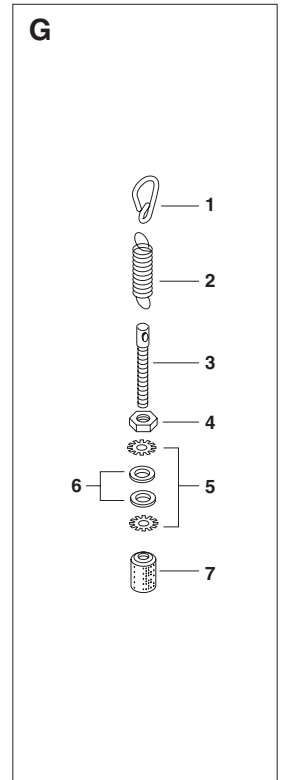
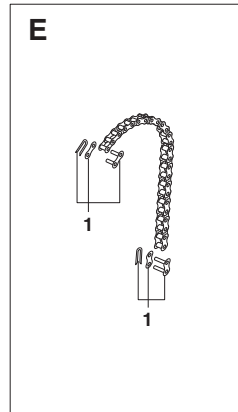
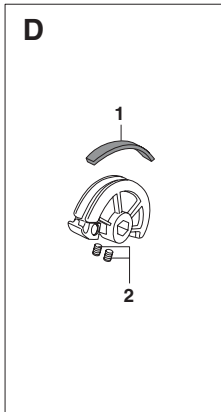
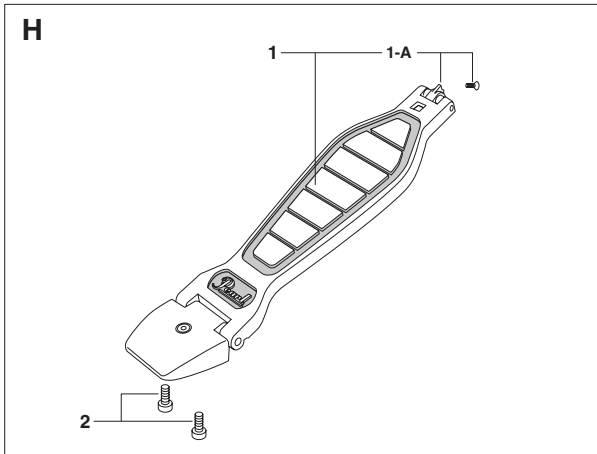
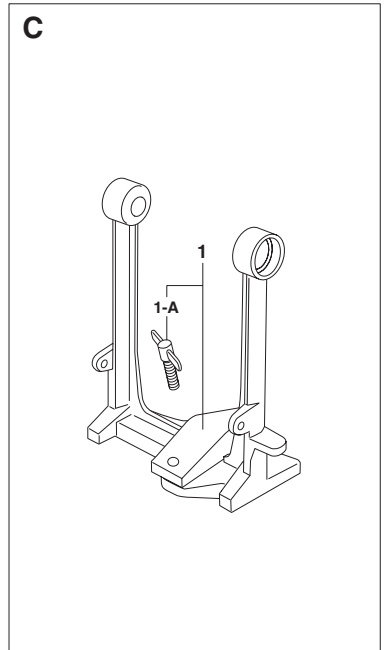
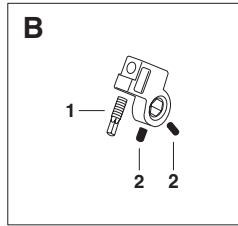
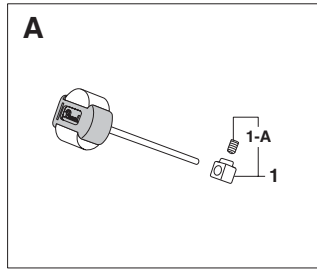
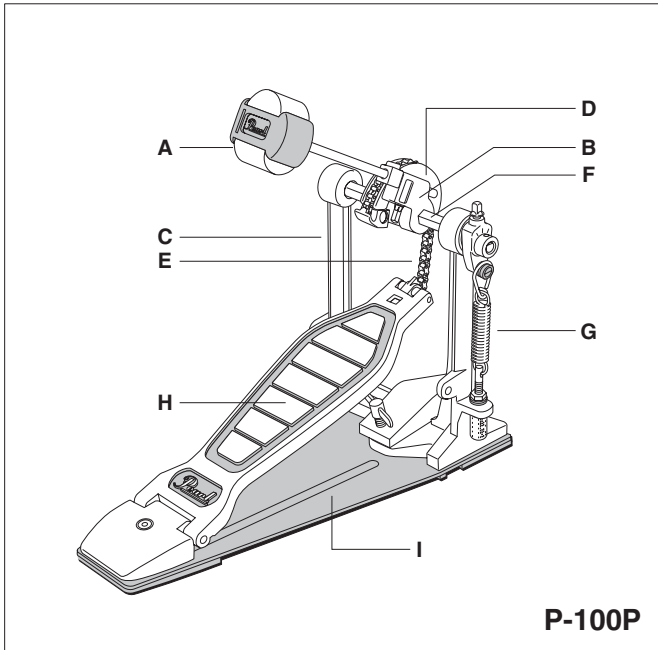
P-101



- | | | | | | | | | |
|----------|-----------------|--------------------------------------|----------|-----------------|---|----------|-----------------|--|
| A | B-200QB | Quad Beater | F | CCA-1 | Connecting Chain Assy. Complete | J | FB-101AR | Footboard Assy. Complete |
| 1 | DC-394A | Beater Setting Stopper Assy. | 1 | ME-212 | Chain End Connector Assy. (one each) | 1 | DC-389B | Footboard w/Chain Connector |
| 1-A | SB-66 | Allen Screw | G | ME-392A | Hexagonal Axle Assy. | 1-A | DC-16NA | Chain Connector w/Chain Connector |
| B | DC-395NA | Beater Holder Link, Complete | 1 | ME-392 | Hexagonal Axle ONLY | 2 | DC-392A | Toe Stopper Assy. |
| 1 | KB-814 | Key Bolt | 2 | ME-393N | Axle Sleeve w/Set Screws | 3 | SC-261 | Screw (one each) |
| 2 | SB-66 | Allen Screw (one each) | 3 | NU-07B | Bearing (one each) | 4 | ME-207B | Radius Rod ONLY |
| C | DC-391A | Pedal Frame w/Hoop Clamp | 4 | BSA-3 | End Nut w/Washer | 5 | PR-447 | Radius Rod Cover |
| 1 | DC-201A | Hoop Clamp Assy. Complete | H | DC-396NA | Uni-Lock Beater Angle Cam w/Bolt & Nut Set | 6 | SC-258 | Cap Screw |
| 1-A | ME-69 | Handle Bolt | 1 | KB-630A | Bolt & Nut Set | 7 | WS-50 | Push Nut (Radius Rod Stopper) (one each) |
| D | LT-636 | Anchor Screw w/Spring | I | SPA-6AN | Spring Assy. Complete | | | |
| E | ALH-2 | Aluminum Wheel Assy. Complete | 1 | SP-31F | Spring (w/Felt) ONLY | | | |
| 1 | FE-29 | Felt Strip | 2 | SAS-657 | Adjustment Bolt | | | |
| 2 | SB-66 | Allen Screw (one each) | 3 | ME-336 | Upper Nut | | | |
| | | | 4 | ME-391A | Lower Nut w/Washers | | | |

DRUM PEDALS

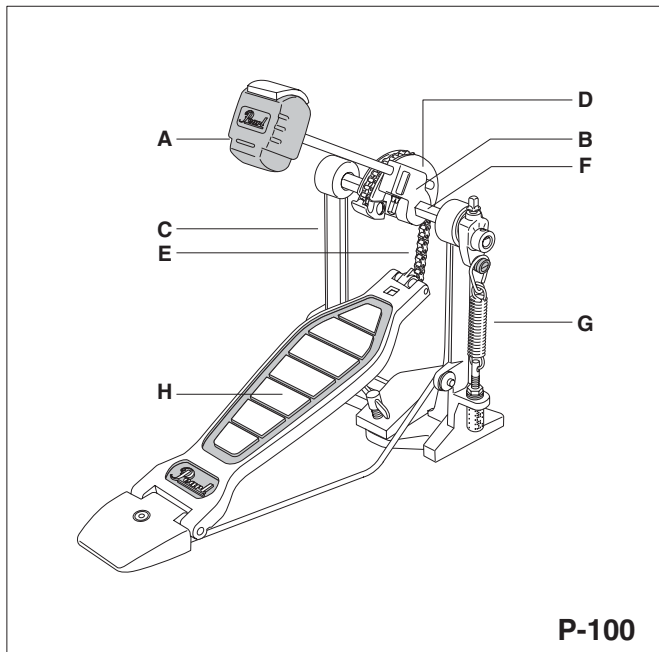
P-100P



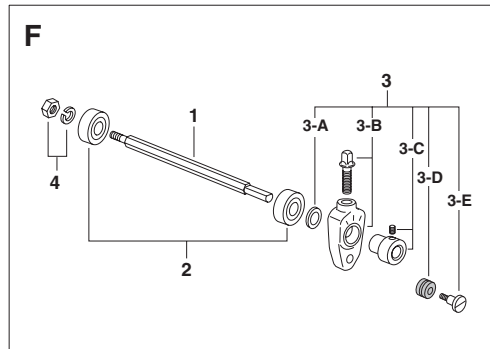
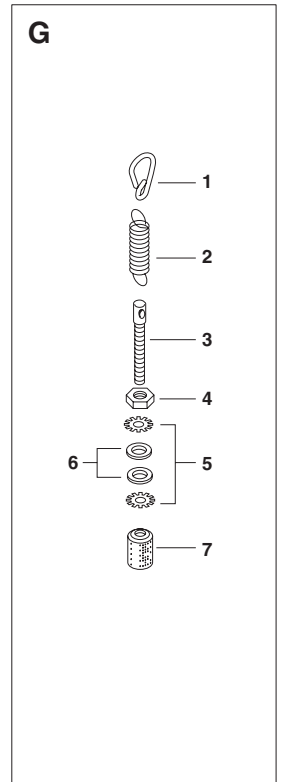
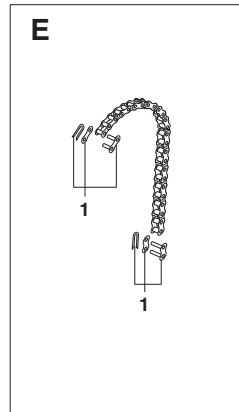
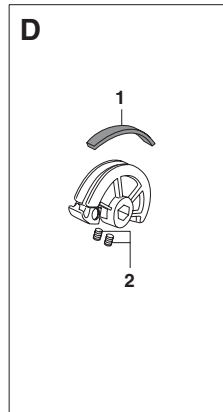
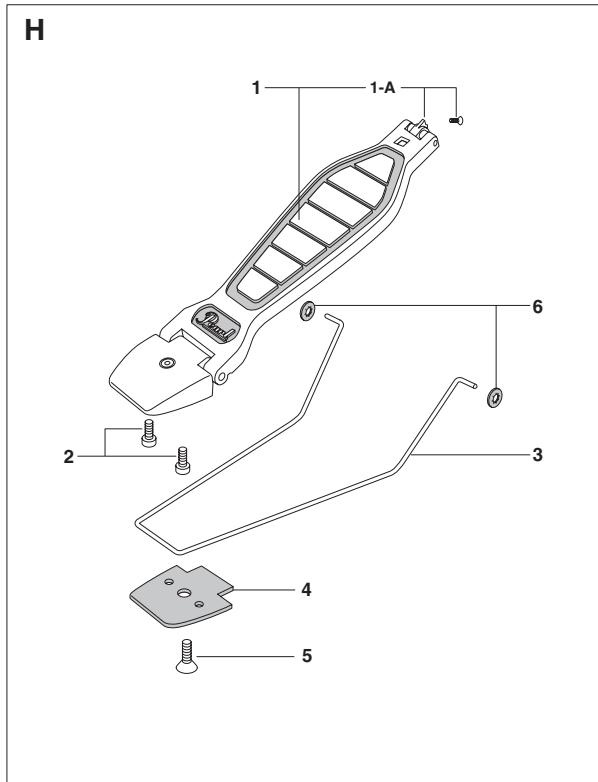
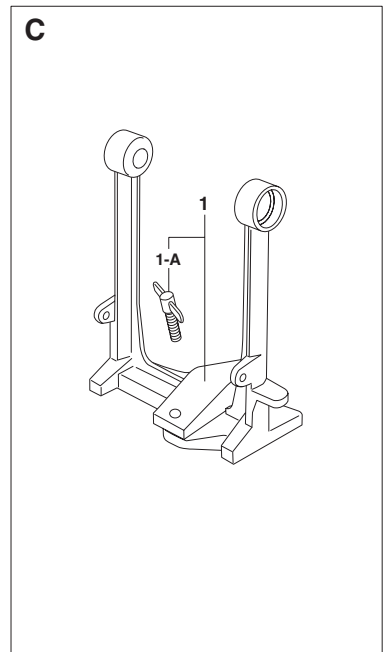
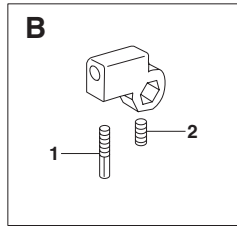
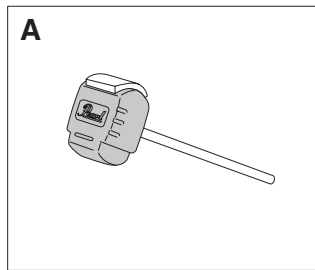
- | | | | | | | | | |
|----------|-----------------|--|----------|----------------|------------------------------|----------|----------------|-----------------------------------|
| A | B-200QB | Quad Beater | F | ME-345A | Hexagonal Axle Assy. | H | FB-100A | Footboard Assy. Complete |
| 1 | DC-394A | Beater Setting Stopper Assy. | 1 | ME-345 | Hexagonal Axle | 1 | DC-389B | Footboard w/Chain Connector |
| 1-A | SB-66 | Allen Screw | 2 | NU-07B | Bearing (one each) | 1-A | DC-16NA | Chain Connector w/Pin and Screw |
| B | DC-395NA | Beater Holder Link, Complete | 3 | DC-536AC | Beater Angle Cam Complete | 2 | SC-261 | Cap Screw (one each) |
| 1 | KB-814 | Key Bolt | 3-A | WS-43 | Washer | I | FP-100A | Power Plate Assy. Complete |
| 2 | SB-66 | Allen Screw (one each) | 3-B | DC-536A | Beater Angle Cam w/Key Bolt | 1 | SC-149 | Screw (one each) |
| C | DC-391BA | Pedal Frame w/Hoop Clamp | 3-C | DC-530A | Axle Sleeve w/Screw | 2 | SC-39 | Screw (one each) |
| 1 | DC-201BA | Hoop Clamp Assy. Complete | 3-D | ME-646 | Cam Roller | 3 | SC-258 | Screw |
| 1-A | ME-69 | Handle Bolt | 3-E | ME-170B | Cam Bolt | 4 | NP-199A | Rubber Mat (Front) |
| D | ALH-2 | Aluminum Wheel Assy. Complete | 4 | BSA-3 | End nut w/Washer | 5 | NP-199B | Rubber Mat (Heel) |
| 1 | FE-29 | Felt Strip | G | SPA-7A | Spring Assy. Complete | | | |
| 2 | SB-66 | Allen Screw (one each) | 1 | SP-74 | Hook | | | |
| E | CCA-1 | Connecting Chain Assy. Complete | 2 | SP-31F | Spring (w/Felt) ONLY | | | |
| 1 | ME-212 | Chain End Connector Assy. (one each) | 3 | SAS-657 | Adjustment Bolt | | | |
| | | | 4 | SN-6M | Hexagonal Nut | | | |
| | | | 5 | SHW-6 | Lock Washer (one each) | | | |
| | | | 6 | SMW-6 | Washer (one each) | | | |
| | | | 7 | SCN-6 | Adjustment Nut | | | |

DRUM PEDALS

P-100



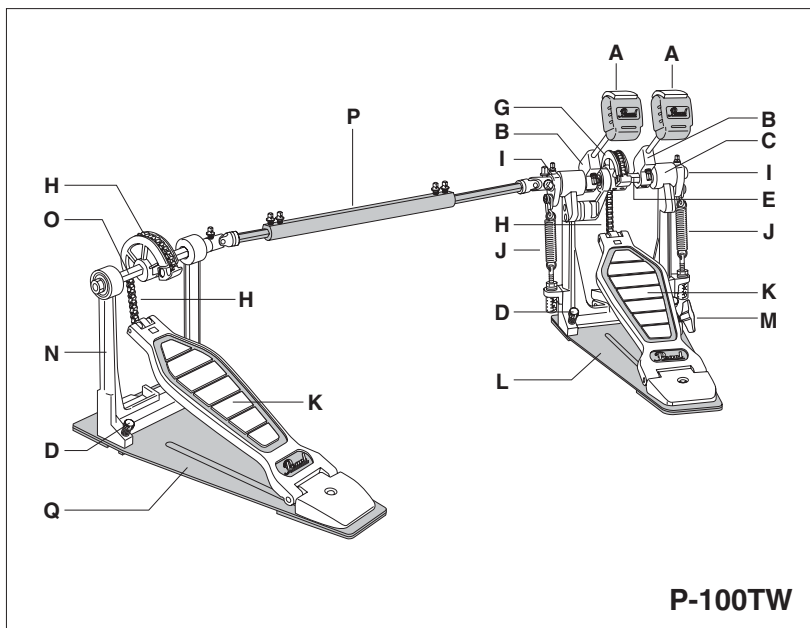
P-100



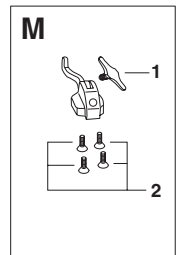
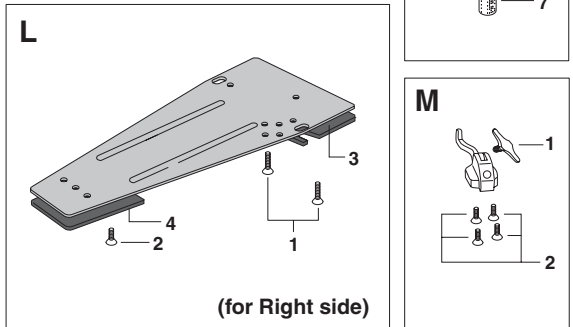
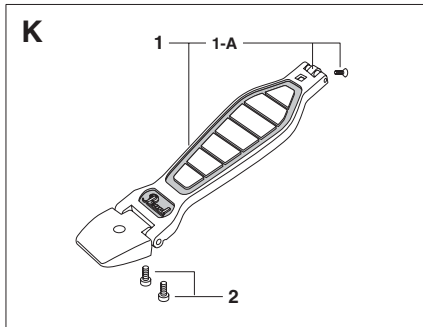
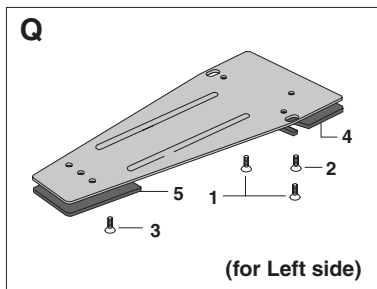
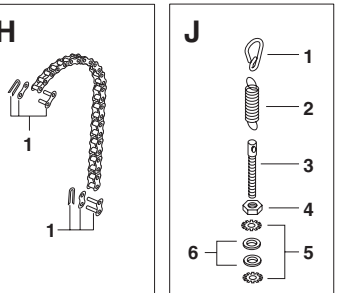
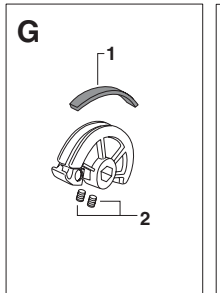
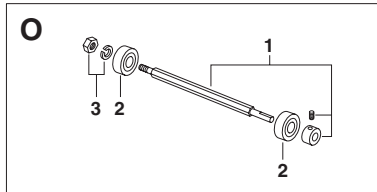
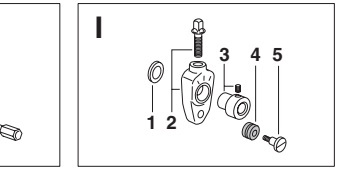
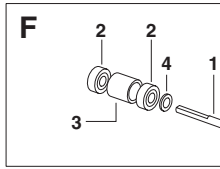
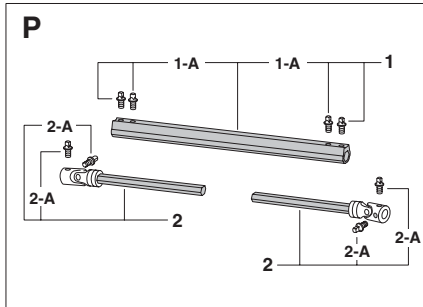
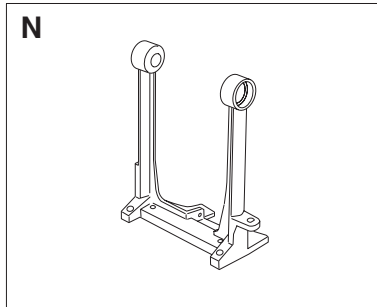
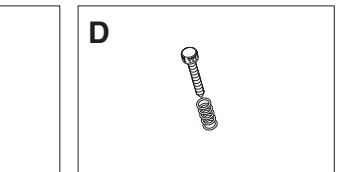
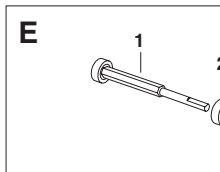
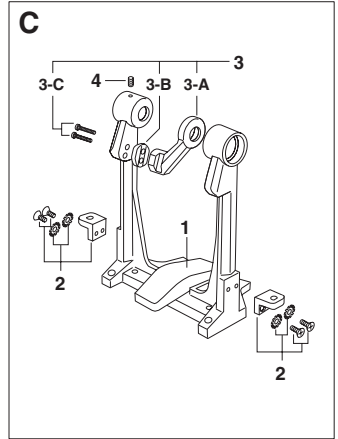
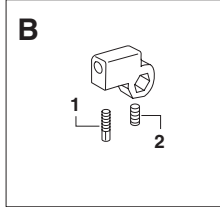
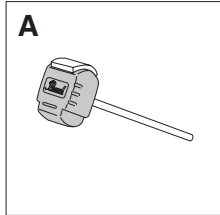
- | | | | | | | | | |
|----------|-----------------|--|----------|----------------|------------------------------|----------|-----------------|--|
| A | B-100DB | "DuoBeat" 2 Way Beater | F | ME-345A | Hexagonal Axle Assy. | H | FB-100AR | Footboard Assy. Complete |
| B | BH-95 | Beater Holder Link Complete | 1 | ME-345 | Hexagonal Axle | 1 | DC-389B | Footboard w/Chain Connector |
| 1 | KB-814 | Key Bolt | 2 | NU-07B | Bearing (one each) | 1-A | DC-16NA | Chain Connector w/Pin and Screw |
| 2 | SB-66 | Allen Screw | 3 | DC-536AC | Beater Angle Cam Complete | 2 | SC-261 | Cap Screw (one each) |
| C | DC-391BA | Pedal Frame w/Hoop Clamp | 3-A | WS-43 | Washer | 3 | ME-207B | Radius Rod ONLY |
| 1 | DC-201BA | Hoop Clamp Assy. Complete | 3-B | DC-536A | Beater Angle Cam w/Key Bolt | 4 | PR-447 | Radius Rod Cover |
| 1-A | ME-69 | Handle Bolt | 3-C | DC-530A | Axle Sleeve w/Screw | 5 | SC-258 | Screw |
| D | ALH-2 | Aluminum Wheel Assy. Complete | 3-D | ME-646 | Cam Roller | 6 | WS-50 | Push Nut (Radius Rod Stopper) (one each) |
| 1 | FE-29 | Felt Strip | 3-E | ME-170B | Cam Bolt | | | |
| 2 | SB-66 | Allen Screw (one each) | 4 | BSA-3 | Bearing (one each) | | | |
| E | CCA-1 | Connecting Chain Assy. Complete | G | SPA-7A | Spring Assy. Complete | | | |
| 1 | ME-212 | Chain End Connector Assy. (one each) | 1 | SP-74 | Hook | | | |
| | | | 2 | SP-31F | Spring (w/Felt) ONLY | | | |
| | | | 3 | SAS-657 | Adjustment Bolt | | | |
| | | | 4 | SN-6M | Hexagonal Nut | | | |
| | | | 5 | SHW-6 | Lock Washer (one each) | | | |
| | | | 6 | SMW-6 | Washer (one each) | | | |
| | | | 7 | SCN-6 | Adjustment Nut | | | |

DRUM PEDALS

P-100TW



P-100TW



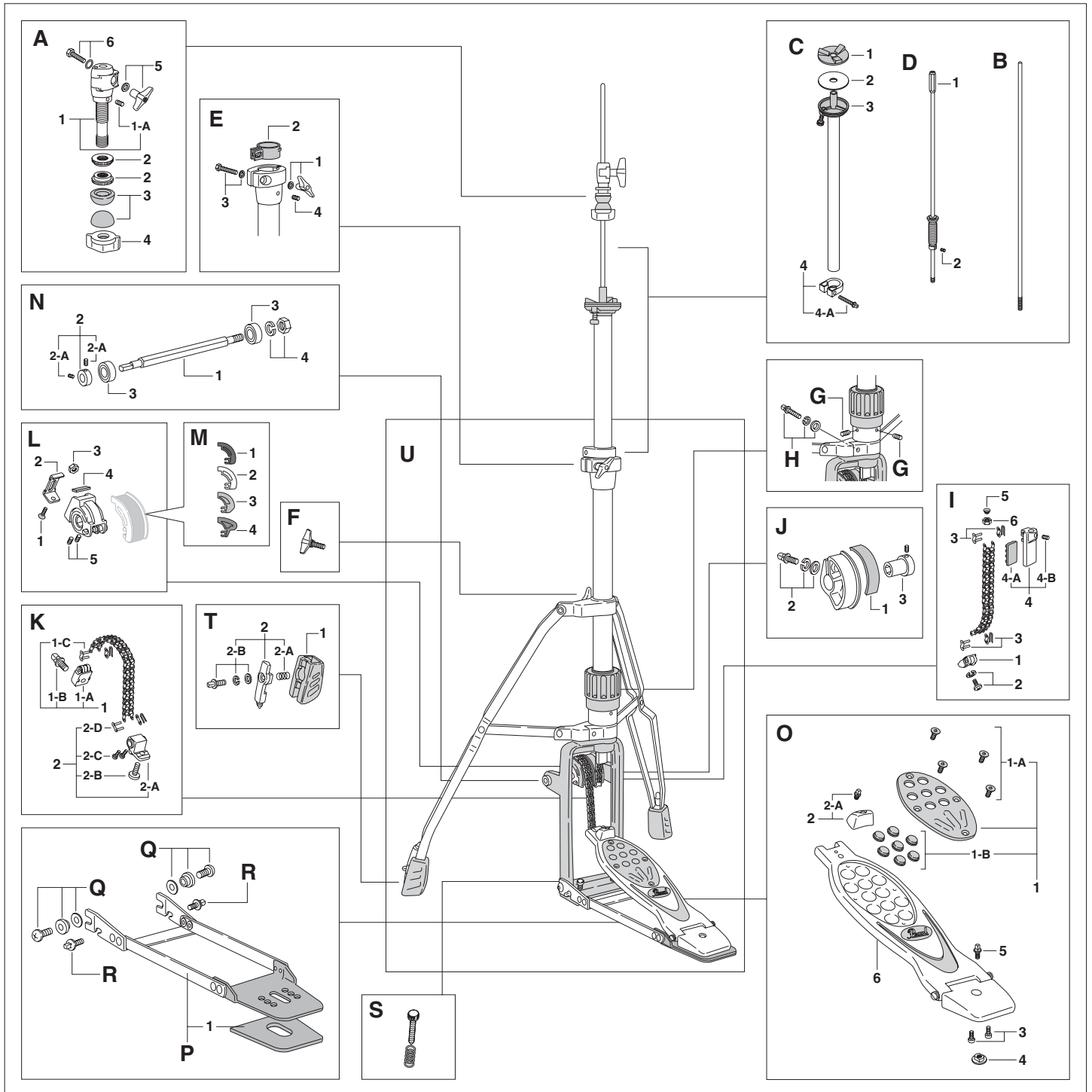
- A B-100DB "DuoBeat" 2 Way Beater**
- B BH-95 Beater Holder Link, Complete**
- 1 KB-814 Key Bolt
- 2 SB-66 Allen Screw
- C DC-312AB Pedal Frame w/Hoop Clamp**
- 1 DC-397BA Hoop Clamp w/Pin
- 2 BAP-2 Spring Anchor Plate w/Screws & Washers (one set)
- 3 ASA-79A Axle Support arm Assy. Complete
- 3-A DC-313B Axle Support Arm
- 3-B DC-314B Axle Support Spacer
- 3-C SC-222 Screw (one each)
- 4 SB-44 Allen Screw
- D LT-636 Anchor Screw w/Spring**
- E ME-341NA Hexagonal Axle Assy. Complete**
- 1 HEX-8L Hexagonal Axle w/Bearing
- 2 NU-07B Bearing
- F ME-342A Hexagonal Axle Assy. Complete**
- 1 HEX-8S Hexagonal Axle (short)
- 2 NU-07B Bearing (one each)
- 3 BS-85 Bearing Spacer
- 4 WS-49 Washer
- G ALH-2 Aluminum Wheel Assy. Complete**
- 1 FE-29 Felt Strip
- 2 SB-66 Allen Screw (one each)

- H CCA-1 Connecting Chain Assy. Complete**
- 1 ME-212 Chain End Connector Assy. (one each)
- I DC-536AC Beater Angle Cam Assy. Complete**
- 1 WS-43 Washer
- 2 DC-536A Beater Angle Cam w/Key Bolt
- 3 DC-530A Axle Sleeve w/Screw
- 4 ME-646 Cam Roller
- 5 ME-170B Cam Bolt
- J SPA-7A Spring Assy. Complete**
- 1 SP-74 Hook
- 2 SP-31F Spring (w/Felt) ONLY
- 3 SAS-657 Adjustment Bolt
- 4 SN-6M Hexagonal Nut
- 5 SHW-6 Lock Washer (one each)
- 6 SMW-6 Washer (one each)
- 7 SCN-6 Adjustment Nut
- K FB-100A Footboard Assy. Complete**
- 1 DC-389B Footboard w/Chain Connector
- 1-A DC-16NA Chain Connector w/Pin and Screw
- 2 SC-261 Cap Screw (one each)
- L FP-100AB Power Plate Assy. Complete**
- 1 SC-149 Screw (one each)
- 2 SC-258 Screw
- 3 NP-199A Rubber Mat (Front)
- 4 NP-199B Rubber Mat (Heel)

- M DC-399ATN Hoop Clamp Cam Assy. Complete**
- 1 M-820C Wing Bolt
- 2 SC-191BN Screw (one each)
- N DC-404AB Pedal Frame**
- O ME-345A Hexagonal Axle Assy. Complete**
- 1 HEX-9 Hexagonal Axle w/Axle Sleeve and Allen Screw
- 2 NU-07B Bearing (one each)
- 3 BSA-3 End Nut w/Washer
- P DS-200A Drive Shaft Assy. Complete**
- 1 SP-65A Drive Shaft Sleeve w/Key Bolts
- 1-A KB-608 Key Bolt (one each)
- 2 HS-200A Hexagonal Drive Shaft w/Key Bolts (one set)
- 2-A KB-508 Key Bolt (one each)
- Q FP-100AS Power Plate Assy. Complete**
- 1 SC-149 Screw (one each)
- 2 SC-148 Screw
- 3 SC-258 Screw
- 4 NP-199A Rubber Mat (Front)
- 5 NP-199B Rubber Mat (Heel)

HI-HAT STANDS

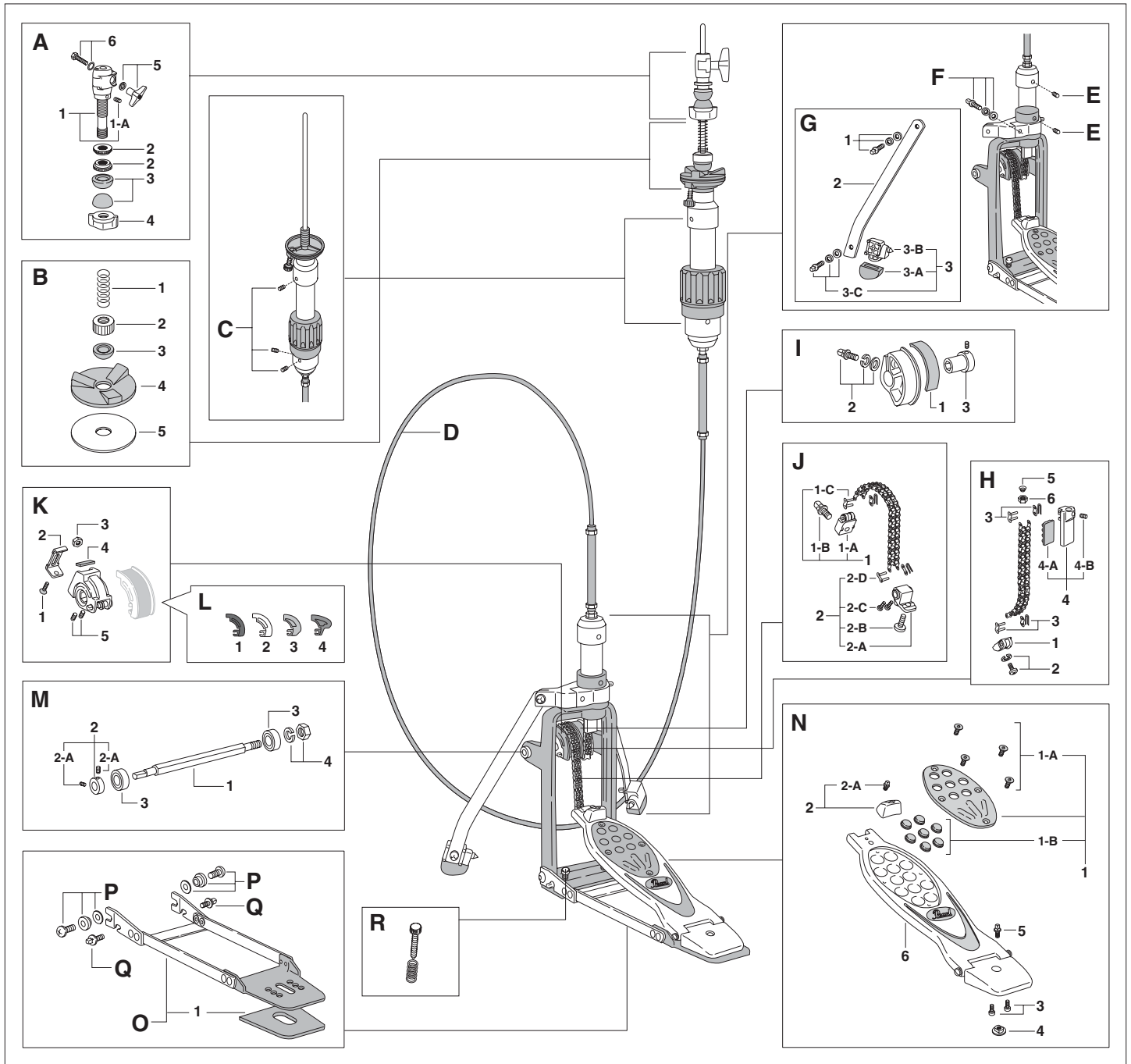
H-2000



- | | | | | | | | | |
|--------------|-----------------|---|------------|----------------------------|---|------------|-----------------|--|
| A | SGC-200P | Super Grip Clutch | 3 | ME-244 | Chain End Connector Assy. (one each) | 3 | CAM-BL | Blue Cam |
| 1-1-A | DC-526A | Pipe Bolt | 4 | DC-524A | Rod Connector, Complete | 4 | CAM-RD | Red Cam |
| 2 | SB-44 | Allen Screw | 4-A | NP-296 | Rubber Cushion | N | ME-517A | Hexagonal Axle Assy. |
| 2-A | CL-95N | Lock Nut | 4-B | SB-44 | End Connector Assy. (Top) | 1 | ME-517 | Hexagonal Axle ONLY |
| 3 | NP-210 | Rubber Washer | 5 | SP-67 | Waggie Spring | 2-A | ME-518A | Axle Sleeve w/Allen Screws |
| 3 | DC-528 | Bottom Lock Nut | 6 | NU-19 | Nut | 3 | SB-44 | Allen Screw |
| 4 | M-6N | Die-Cast Wing Nut w/Washer | J | DC-525A | Aluminum Pull Cam Assy. Complete | 4 | NU-07B | Bearing (one each) |
| 5 | SC-168R | Clamp Bolt w/Nylon Washer | 2 | FE-41 | Felt Strip | 4 | BSA-3 | End Nut w/Washer |
| 6 | ME-145 | Upper Pull Rod | K | KB-625W | Key Bolt w/Washers | O | FB-2000A | Footboard Assy. Complete |
| C | PP-183A | Upper Tube Assy. Complete | 1 | ME-519A | Drive Shaft Sleeve w/Allen Screw | 1 | AL-24A | Traction Plate Assy. |
| 1 | NP-208 | Rubber Cup Washer | 2 | CCA-5H | Double Chain Assy. Complete | 1-A | SC-344 | Mounting Screw (one each) |
| 2 | PR-128 | Steel Washer | 1 | DC-511AA | End Connector Assy. (Top) | 1-B | NP-283N | Hexagonal Axle ONLY |
| 3 | HHC-1 | Plastic Cup w/Tilter | 1-A | DC-511A | End Connector Bracket Only (Top) | 2 | DC-508A | Traction Grip |
| 4 | SX-4 | Stop Lock, Complete | 1-B | KB-508 | Key Bolt | 2-A | KB-508 | Key Bolt |
| 4-A | KB-630 | Key Bolt | 1-C | ME-244 | Chain End Connector Assy. (one each) | 3 | SC-261 | Screw (one each) |
| D | LS-200 | Lower Pull Rod, Complete | 2 | DC-511BA | End Connector Assy. (Bottom) | 4 | DC-398 | Heel Position Adjust Nut |
| 1 | ME-123 | Pull Rod Connector ONLY | 2-A | DC-511B | End Connector Bracket Only (Bottom) | 5 | KB-608 | Key Bolt |
| 2 | Allen Screw | | 2-B | SC-322S | Screw | 6 | DC-512SN | Footboard ONLY |
| E | DJ-80A | Die-Cast Joint Assy. Complete | 2-C | SC-284 | Screw (one each) | P | PR-554F | Pedal Frame Assy. Complete |
| 1 | M-6N | Die-Cast Wing Nut w/Washer | 2-D | ME-244 | Chain End Connector Assy. (one each) | 1 | NP-285 | Rubber Mat |
| 2 | NB-8N | Nylon Bushing | L | DC-509A | Aluminum Wheel Assy. Complete | 1 | ME-520A | Frame Sleeve w/Screw |
| 3 | SN-635 | Clamp Bolt w/Nylon Washer | 1 | SC-327 | Flat-head Screw | R | SC-348 | Key Bolt |
| 4 | SB-44 | Allen Screw | 2 | PR-546 | Slider Bracket | S | LT-626 | Anchor Screw w/Spring |
| F | M-815N | Die-Cast Wing Bolt | 3 | NU-10 | Hexagonal Nut | T | CT-200A | Convertible Rubber Tip Assy. Complete |
| G | SB-55 | Allen Screw | 4 | FE-40C | Felt | 1 | NP-293 | Rubber Tip ONLY |
| H | KB-625W | Key Bolt w/Washers | 5 | SB-66 | Allen Screw (one each) | 2 | DC-523A | Spike Assy. Complete |
| I | CCA-6H | Chain Assy. Complete (pull cam side) | M | Interchangeable Cam | | 2-A | SP-33 | Spring |
| 1 | DC-400 | Chain Connector | 1 | CAM-BK | Black Cam | 2-B | KB-625W | Key Bolt w/Washers |
| 2 | SC-94W | Screw with Washer | 2 | CAM-WT | White Cam | U | H-20W | Base Assy. Complete |

HI-HAT STANDS

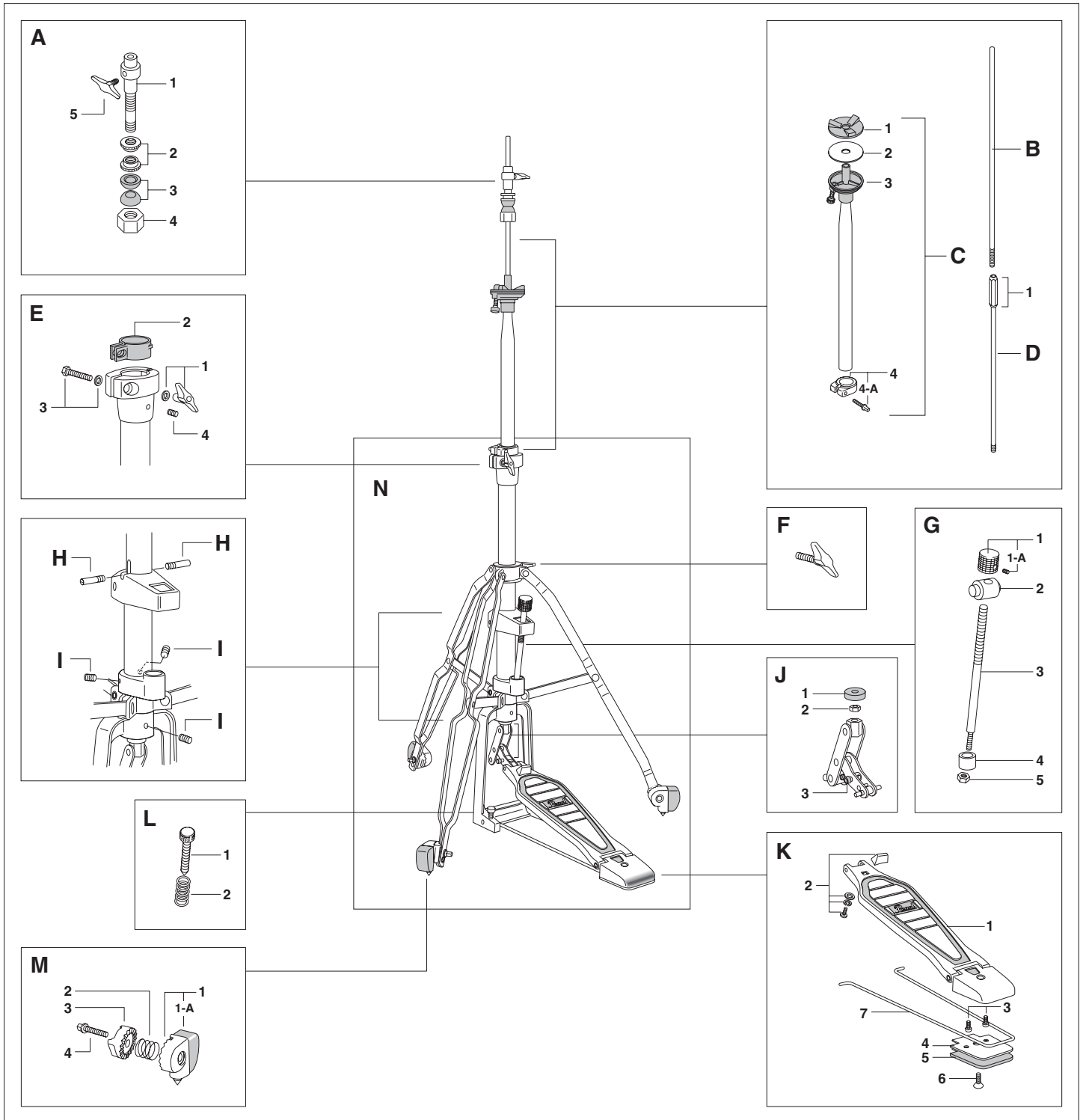
RH-2000



A	SGC-200P	Super Grip Clutch	H	CCA-6H	Chain Assy. Complete (pull cam side)	L		Interchangeable Cam
1	DC-526A	Pipe Bolt	1	DC-400	Chain Connector	1	CAM-BK	Black Cam
1-A	SB-44	Allen Screw	2	SC-94W	Screw with Washer	2	CAM-WT	White Cam
2	CL-95N	Lock Nut	3	ME-244	Chain End Connector Assy. (one each)	3	CAM-BL	Blue Cam
3	NP-210	Rubber Washer	4	DC-524A	Rod Connector, Complete	4	CAM-RD	Red Cam
4	DC-528	Bottom Lock Nut	4-A	NP-296	Rubber Cushion			
5	M-6N	Die-Cast Wing Nut w/Washer	4-B	SB-44	Allen Screw	M	ME-517A	Hexagonal Axle Assy.
6	SC-168R	Clamp Bolt w/Nylon Washer	5	SP-67	Waggle Spring	1	ME-517	Hexagonal Axle ONLY
B	CYS-200A	Cymbal Seat Assy.	6	NU-19	Nut	2	ME-518A	Axle Sleeve w/Allen Screws
1	SP-41	Spring	I	DC-525A	Aluminum Pull Cam Assy. Complete	2-A	SB-44	Allen Screw
2	ME-188	Lock Nut	1	FE-41	Felt Strip	3	NU-07B	Bearing (one each)
3	NP-210	Rubber Washer	2	KB-625W	Key Bolt w/Washers	4	BSA-3	End Nut w/Washer
4	NP-208	Rubber Cup Washer	3	ME-519A	Drive Shaft Sleeve w/Allen Screw	N	FB-2000A	Footboard Assy. Complete
5	PR-128	Steel Washer	J	CCA-5H	Double Chain Assy. Complete	1	AL-24A	Traction Plate Assy.
C	SB-55	Allen Screw (one each)	1	DC-511AA	End Connector Assy. (Top)	1-A	SC-344	Mounting Screw (one each)
D	CAU-2000	Cable Unit Complete, w/Nuts & Washers	1-A	DC-511A	End Connector Bracket Only (Top)	1-B	NP-283N	Traction Grip
E	SB-55	Allen Screw (one each)	1-B	KB-508	Key Bolt	2	DC-508A	Toe Stopper Assy.
F	KB-625W	Key Bolt w/Washers	1-C	ME-244	Chain End Connector Assy. (one each)	2-A	KB-508	Key Bolt
G	PR-571A	Leg Assy. Complete	2	DC-511BA	End Connector Assy. (Bottom)	3	SC-261	Screw (one each)
1	KB-625W	Key Bolt w/Washers	2-A	DC-511B	End Connector Bracket Only (Bottom)	4	DC-398	Heel Position Adjust Nut
2	PR-571	Leg ONLY	2-B	SC-322S	Screw	5	KB-608	Key Bolt
3	CT-88A	Convertible Tip Assy. Complete	2-C	SC-284	Screw (one each)	6	DC-512SN	Footboard ONLY
3-A	R-8H	Rubber Tip	2-D	ME-244	Chain End Connector Assy. (one each)	O	PR-554F	Pedal Frame Assy. Complete
3-B	AN-88	Spike	K	DC-509A	Aluminum Wheel Assy. Complete	1	NP-285	Rubber Mat
3-C	KB-615W	Key Bolt w/Washers	1	SC-327	Flat-head Screw	P	ME-520A	Frame Sleeve w/Screw
			2	PR-546	Slider Bracket	Q	SC-348	Key Bolt
			3	NU-10	Hexagonal Nut	R	LT-626	Anchor Screw w/Spring
			4	FE-40C	Felt			
			5	SB-66	Allen Screw (one each)			

HI-HAT STANDS

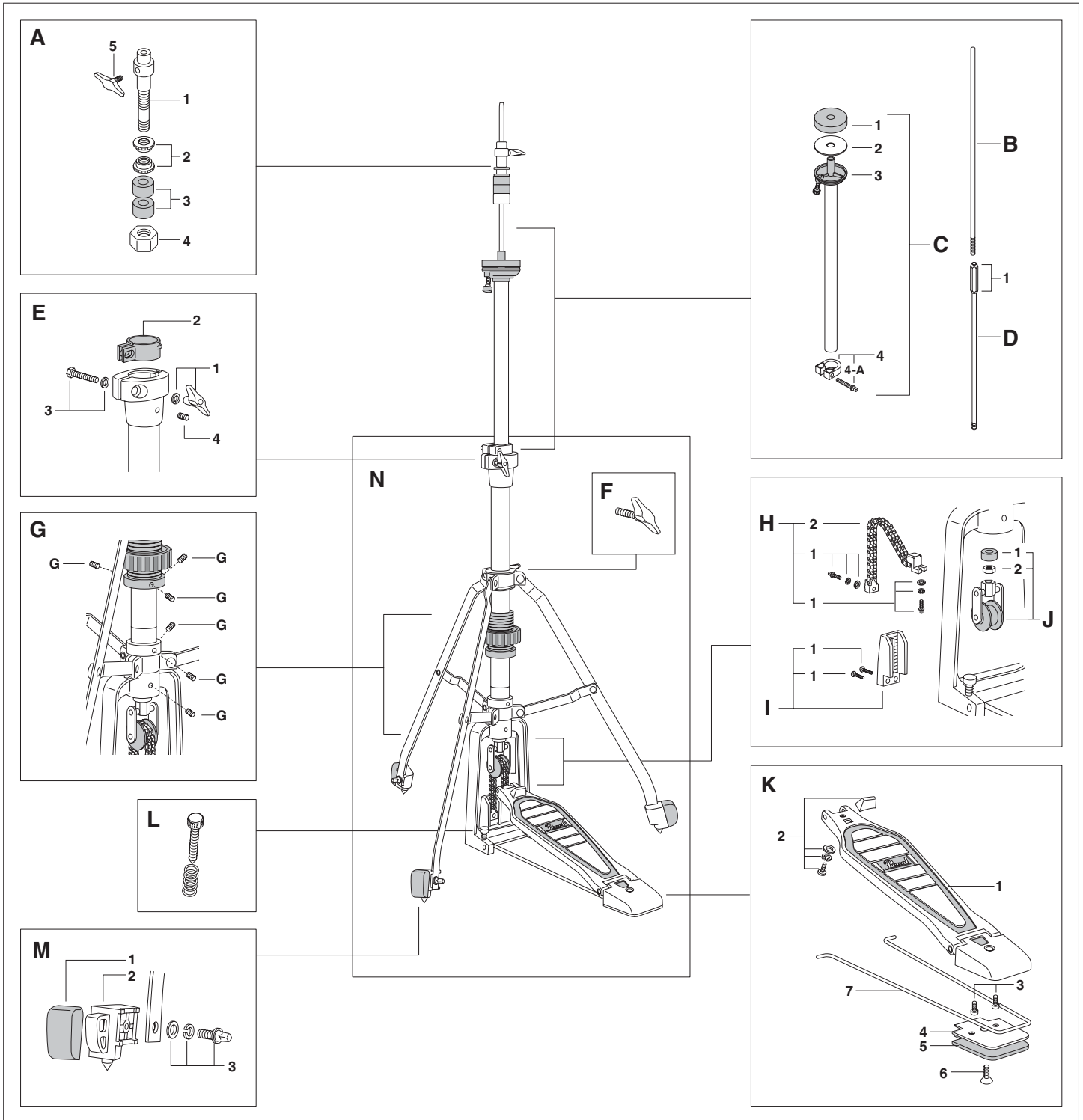
H-985W



A	CL-98P	Hi-Hat Clutch Complete	3	SN-635	Clamp Bolt w/Nylon Washer	K	FBA-98H	Footboard Assy. Complete
1	ME-396A	Pipe Bolt	4	SB-44	Allen Screw	1	DC-402AB	Footboard ONLY
2	CL-95N	Lock Nut (one each)	F	M-820N	Die-Cast Wing Bolt	2	DC-392A	Toe Stopper Assy.
3	NP-210	Rubber Washer	1	ME-412	Tension Knob w/Allen Screw	3	SC-261	Screw (one each)
4	DC-410	Bottom Lock Nut	G	SAN-98A	Spring Adjustment Knob Assy. Complete	4	PR-454	Radius Rod Cover
5	M-610N	Die-Cast Wing Bolt	1-A	SB-54	Allen Screw	5	NP-209	Rubber Mat
B	ME-145	Upper Pull Rod	2	ME-404	Adjustment Nut	6	SC-258	Screw
C	PP-82A	Upper Tube Assy. Complete	3	ME-406N	Adjustment Rod	7	ME-408N	Radius Rod
1	NP-208	Rubber Cup Washer	H	ME-143	Spring Holding Screw (one each)	L	LT-636	Anchor Screw w/Spring
2	PR-128	Steel Washer	I	SB-54	Allen Screw (one each)	M	CT-98A	Convertible Tip Assy. Complete
3	HHC-1	Plastic Cup w/Tilter	J	VA-98A	Vari-Link Assy. Complete	1	DC-376A	Convertible Tip w/Rubber Cap
4	SX-2NN	Stop Lock, Complete	1	FE-16	Felt	1-A	R-8H	Rubber Cap ONLY
4-A	KB-630	Key Bolt	2	NU-23	Nut	2	SP-032	Spring
D	LS-85	Lower Pull Rod Complete	3	SC-264	Cap Screw	3	DC-377	Die-Cast Gear Link ONLY
1	ME-123	Pull Rod Connector ONLY	E	DJ-70A	Die-Cast Joint Assy. Complete	4	KB-630	Key Bolt
E	M-6N	Die-Cast Wing Nut w/Washer	F	M-820N	Die-Cast Wing Bolt	N	H-98S	Base Assy. Complete
2	NB-7N	Nylon Bushing	3	SN-635	Clamp Bolt w/Nylon Washer			

HI-HAT STANDS

H-885



A CL-98 Hi-Hat Clutch Complete

- 1 ME-396A Pipe Bolt
- 2 CL-95N Lock Nut (one each)
- 3 FL-95 Felt Washer
- 4 DC-410 Bottom Lock Nut
- 5 M-610N Die-Cast Wing Bolt

B ME-145 Upper Pull Rod

- C HUP-1A Upper Tube Assy. Complete
- 1 FE-17 Felt Washer
- 2 PR-128 Steel Washer
- 3 HHC-1 Plastic Cup w/Tilter
- 4 SX-4 Stop Lock, Complete
- 4-A KB-630 Key Bolt

D LS-85 Lower Pull Rod Complete

- 1 ME-123 Pull Rod Connector ONLY

E DJ-80A Die-Cast Joint Assy. Complete

- 1 M-6N Die-Cast Wing Nut w/Washer
- 2 NB-8N Nylon Bushing
- 3 SN-635 Clamp Bolt w/Nylon Washer
- 4 SB-44 Allen Screw

F M-820N Die-Cast Wing Bolt

- G SB-58 Allen Screw (one each)

H CCA-3A Connecting Chain Assy. Complete

- 1 KB-615W Key Bolt w/Washers (one set)
- 2 CCA-3N Chain Only

I CBA-1N Chain Connecting Base Assy.

- 1 S-520 Clamp Screw (one each)

J CHW-88A Chain Wheel Assy. Complete

- 1 FE-16 Felt
- 2 NU-23 Nut

K FBA-88HN Footboard Assy. Complete

- 1 DC-402BS Footboard ONLY
- 2 DC-392A Toe Stopper Assy.
- 3 SC-261 Screw (one each)
- 4 PR-454 Radius Rod Cover
- 5 NP-209 Rubber Mat
- 6 SC-258 Screw
- 7 ME-408N Radius Rod

L LT-636 Anchor Screw w/Spring

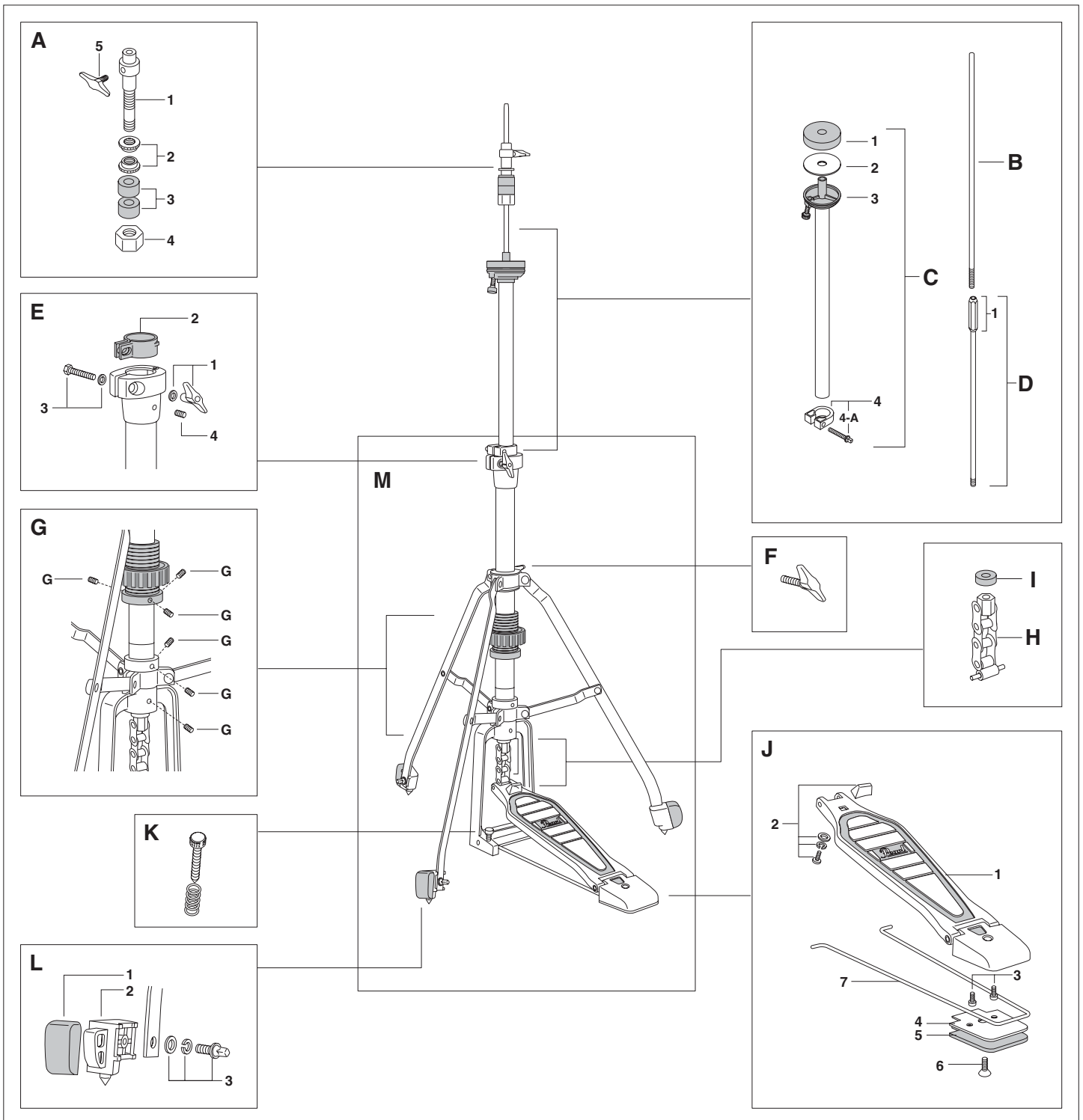
M CT-88A Convertible Tip Assy. Complete

- 1 R-8H Rubber Tip
- 2 AN-88 Spike
- 3 KB-615W Key Bolt w/Washers

N H-88SN Base Assy. Complete

HI-HAT STANDS

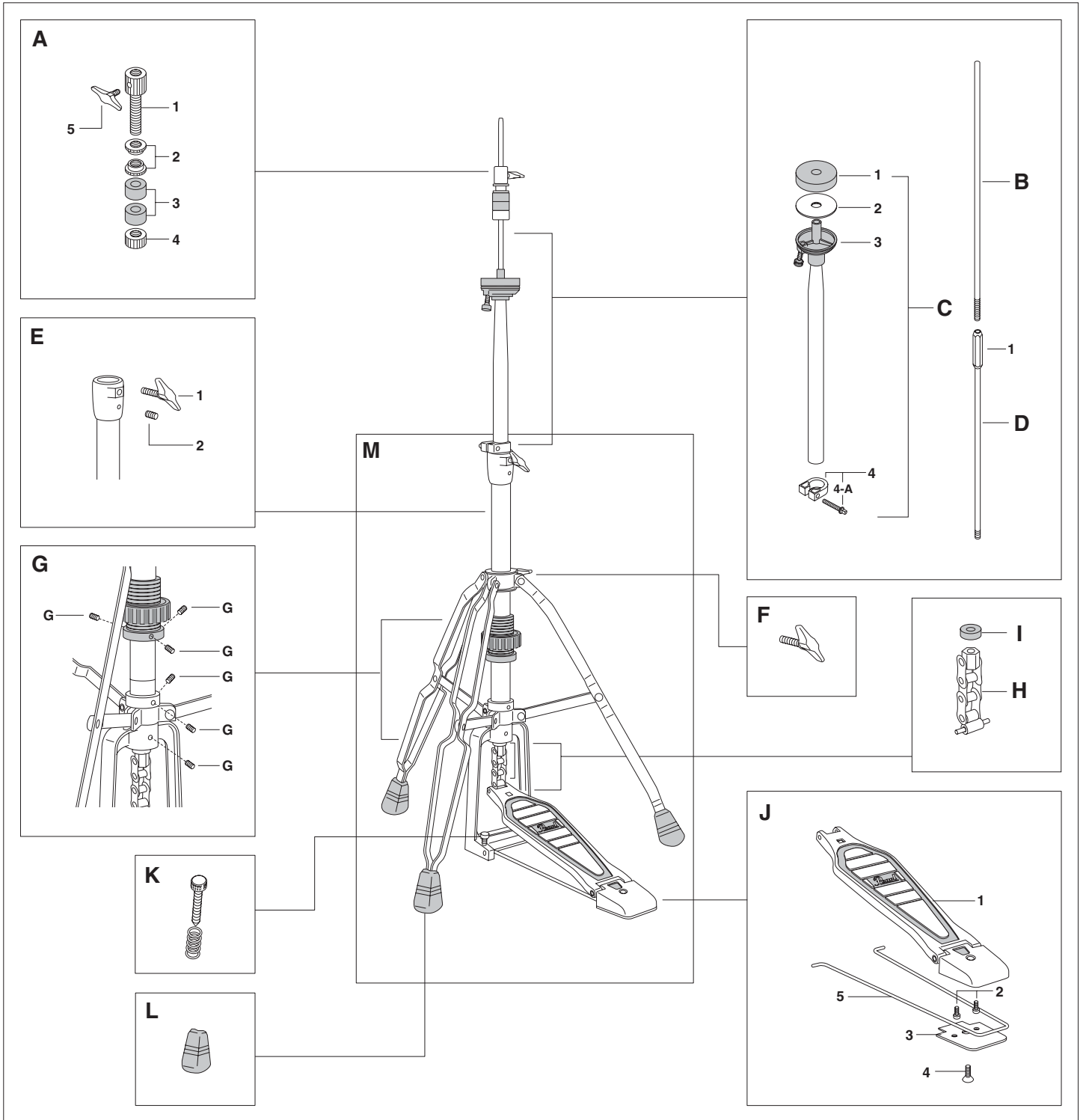
H-855



A	CL-98	Hi-Hat Clutch Complete	D	LS-85	Lower Pull Rod Complete	J	FBA-98H	Footboard Assy. Complete
1	ME-396A	Pipe Bolt	1	ME-123	Pull Rod Connector ONLY	1	DC-402S	Footboard ONLY
2	CL-95N	Lock Nut (one each)	E	DJ-80A	Die-Cast Joint Assy. Complete	2	DC-392A	Toe Stopper Assy.
3	FL-95	Felt Washer	1	M-6N	Die-Cast Wing Nut w/Washer	3	SC-261	Screw (one each)
4	DC-410	Bottom Lock Nut	2	NB-8N	Nylon Bushing	4	PR-454	Radius Rod Cover
5	M-610N	Die-Cast Wing Bolt	3	SN-635	Clamp Bolt w/Nylon Washer	5	NP-209	Rubber Mat
B	ME-145	Upper Pull Rod	4	SB-44	Allen Screw	6	SC-258	Screw
C	HUP-1A	Upper Tube Assy. Complete	F	M-820N	Die-Cast Wing Bolt	7	ME-408N	Radius Rod
1	FE-17	Felt Washer	G	SB-58	Allen Screw (one each)	K	LT-636	Anchor Screw w/Spring
2	PR-128	Steel Washer	H	CHS-2A	Chain Assy. Complete	L	CT-88A	Convertible Tip Assy. Complete
3	HHC-1	Plastic Cup w/Tilter	I	FE-16	Felt	1	R-8H	Rubber Tip
4	SX-4	Stop Lock, Complete				2	AN-88	Spike
4-A	KB-630	Key Bolt				3	KB-615W	Key Bolt w/Washers
						M	H-85SN	Base Assy. Complete

HI-HAT STANDS

H-800W



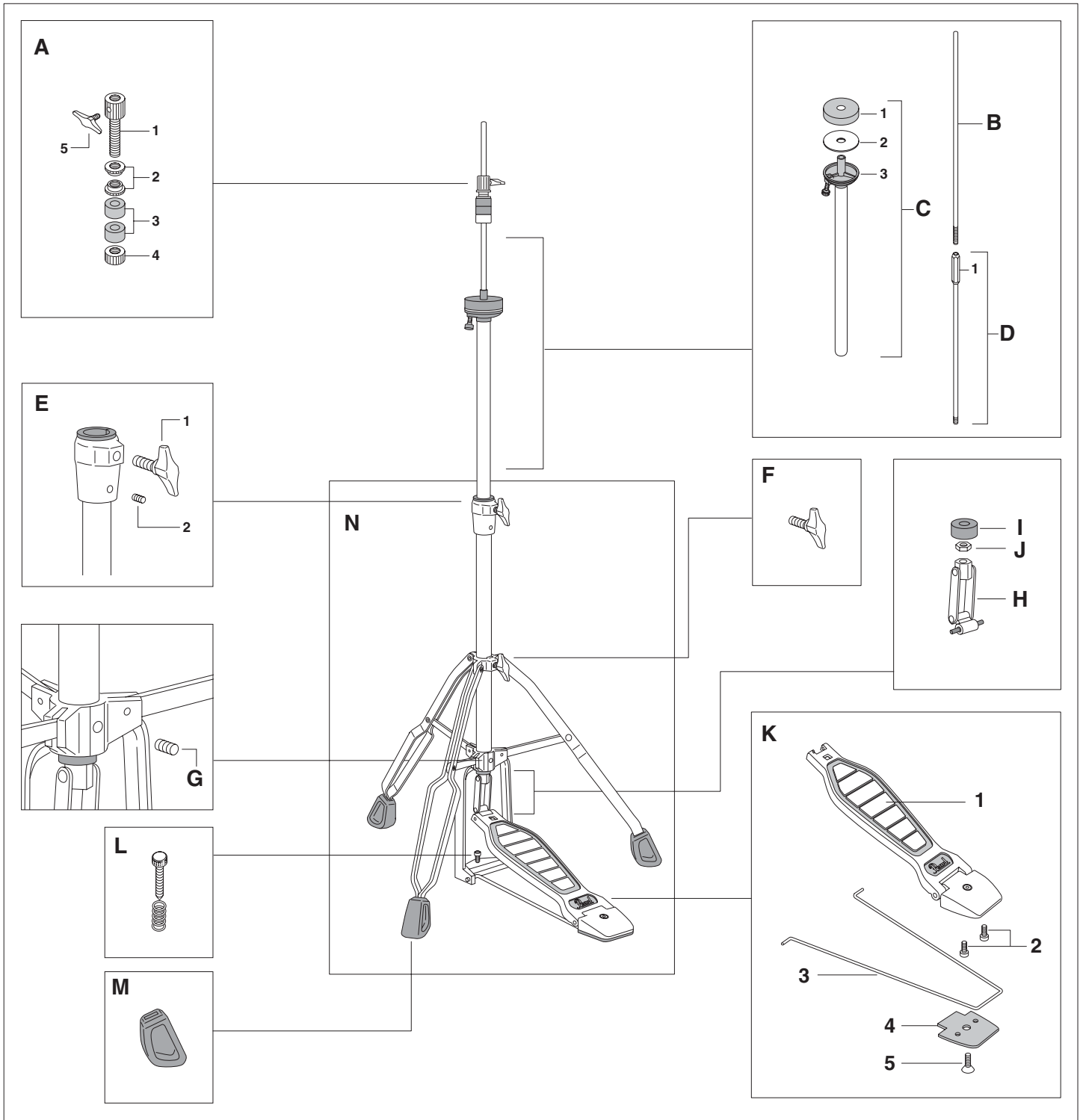
- A CL-68N Hi-Hat Clutch Complete**
 1 ME-36 Pipe Bolt
 2 CL-65N Lock Nut (one each)
 3 FE-10 Felt Washer
 4 ME-38 Bottom Lock Nut
 5 M-610N Die-Cast Wing Bolt
- B ME-145 Upper Pull Rod**
- C PP-82AF Upper Tube Assy. Complete**
 1 FE-33 Felt Washer
 2 PR-128 Steel Washer
 3 HHC-1 Plastic Cup w/Tilter
 4 SX-2NN Stop Lock, Complete
 4-A KB-630 Key Bolt

- D LS-85 Lower Pull Rod Complete**
 1 ME-123 Pull Rod Connector ONLY
- E DJ-75A Die-Cast Joint Assy. Complete**
 1 M-815N Die-Cast Wing Bolt
 2 SB-44 Allen Screw
- F M-815N Die-Cast Wing Bolt**
- G SB-54 Allen Screw (one each)**
- H CHS-1A Chain Assy. Complete**
- I FE-16 Felt**

- J FBA-80H Footboard Assy. Complete**
 1 DC-402S Footboard ONLY
 2 SC-261 Screw (one each)
 3 PR-454 Radius Rod Cover
 4 SC-258 Screw
 5 ME-408N Radius Rod
- K LT-626 Anchor Screw w/Spring**
- L R-22 Rubber Tip**
- M H-80BA Base Assy. Complete**

HI-HAT STANDS

H-70W



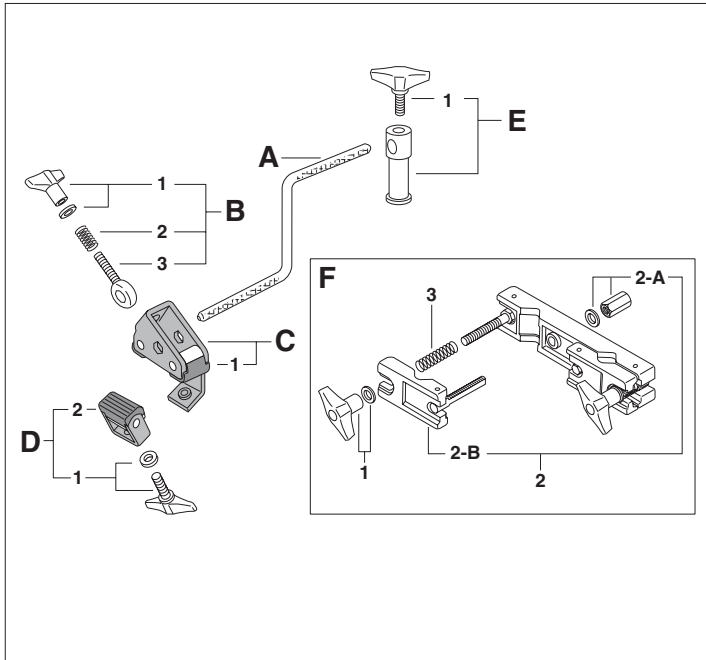
- A CL-68N Hi-Hat Clutch Complete**
 1 ME-36 Pipe Bolt
 2 CL-65N Lock Nut (one each)
 3 FE-10 Felt Washer
 4 ME-38 Bottom Lock Nut
 5 M-610N Wing Bolt
- B ME-145 Upper Pull Rod**
- C PP-601A Upper Tube Assy. Complete**
 1 FE-33 Felt Washer
 2 PR-128 Steel Washer
 3 HHC-07A Plastic Cup w/Tilter

- D ME-605AN Lower Pull Rod Complete**
 1 ME-42N Pull Rod Connector ONLY
- E DJ-07A Die-Cast Joint Assy. Complete**
 1 M-815N Die-Cast Wing Bolt
 2 SB-44 Allen Screw
- F M-820N Die-Cast Wing Bolt**
- G SB-54 Allen Screw**
- H ME-197AA Pull Rod Link Assy.**
- I FE-16 Felt**
- J SN-6M Hexagonal Nut**

- K FB-70HA Footboard Assy. Complete**
 1 DC-389H Footboard ONLY
 2 SC-261 Cap Screw (one each)
 3 ME-611 Radius Rod ONLY
 4 PR-454 Radius Rod Cover
 5 SC-258 Screw
- L LT-622 Anchor Screw w/Spring**
- M NP-604 Rubber Tip**
- N H-7WL Base Assy. Complete**

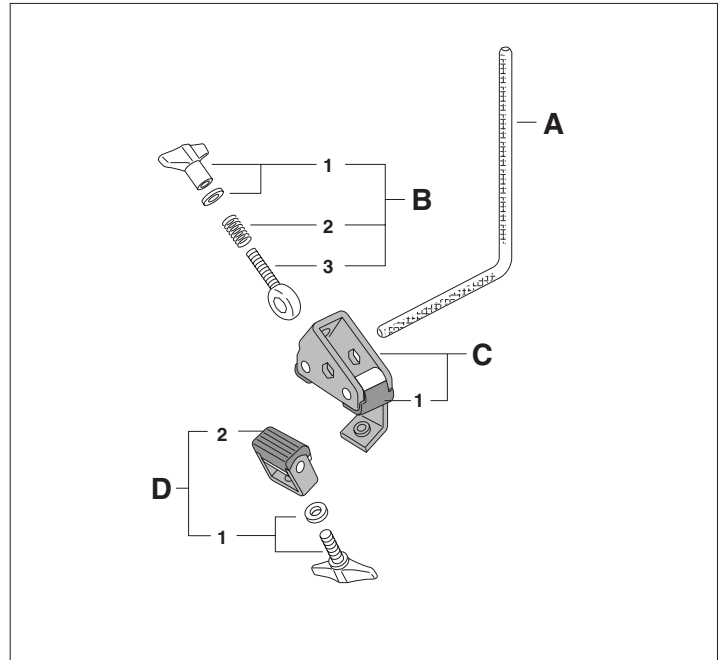
PEDAL STABILIZER, HI-HAT ACCESSORIES

HA-100 Hi-Hat Attachment



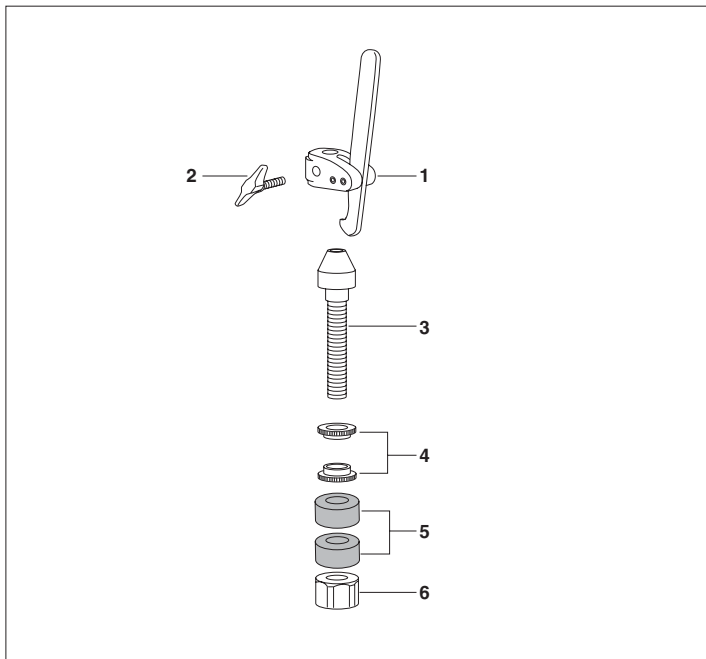
A	ME-534	Crank Rod	E	ME-536A	Crank Rod Bracket
B	SC-271A	Eye Bolt Assy. Complete	1	M-815N	Die-Cast Wing Bolt
1	M-8AN	Die-Cast Wing Nut w/Washer	F	AX-20	Adaptor
2	SP-20S	Spring	1	M-8AN	Die-Cast Wing Nut w/Washer
3	SC-271	Eye Bolt Only	2	AX-2DS	Die-Cast Link w/Swivel Bolt, Hexagonal Nut & Washer
C	PR-570A	Hoop Mount Holder Assy.	2-A	M-8SW	Hexagonal Nut w/Washer
1	NP-312A	Rubber Protector	2-B	DS-20B	Die-Cast Link w/Swivel Bolt
D	PR-569A	Hoop Clamp Assy.	3	SP-26	Spring
1	M-820N	Die-Cast Wing Bolt w/Washer			
2	NP-312B	Rubber Protector Only			

CA-100 Cowbell Holder



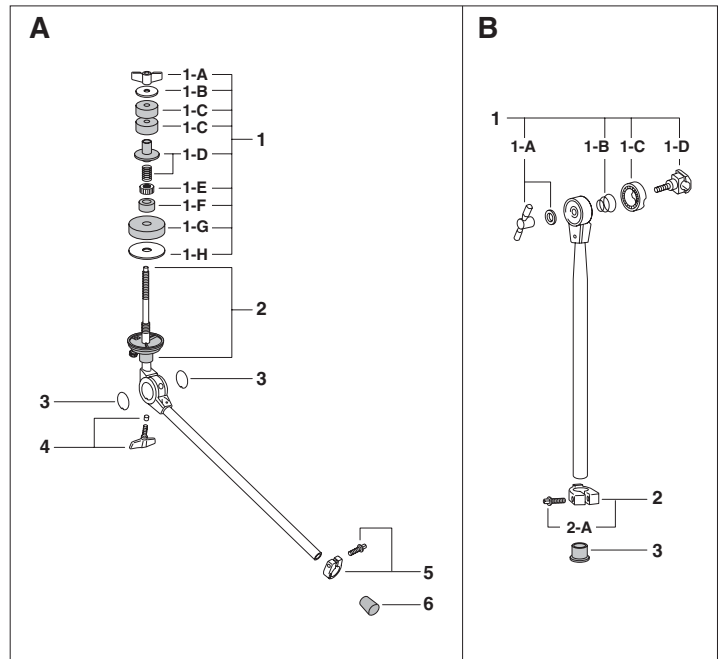
A	ME-535	L Rod	B	SC-271A	Eye Bolt Assy. Complete
B	SC-271A	Eye Bolt Assy. Complete	1	M-8AN	Die-Cast Wing Nut w/Washer
1	M-8AN	Die-Cast Wing Nut w/Washer	2	SP-20S	Spring
2	SP-20S	Spring	3	SC-271	Eye Bolt Only
3	SC-271	Eye Bolt Only	C	PR-570A	Hoop Mount Holder Assy.
C	PR-570A	Hoop Mount Holder Assy.	1	NP-312A	Rubber Protector
1	NP-312A	Rubber Protector	D	PR-569A	Hoop Clamp Assy.
D	PR-569A	Hoop Clamp Assy.	1	M-820N	Die-Cast Wing Bolt w/Washer
1	M-820N	Die-Cast Wing Bolt w/Washer	2	NP-312B	Rubber Protector Only
2	NP-312B	Rubber Protector Only			

DCL-90 Drop Clutch



1	DC-409A	Drop Clutch Head
2	M-615N	Die-Cast Wing Nut
3	ME-397	Pipe Bolt
4	CL-95N	Lock Nut (one each)
5	FL-95	Felt Washer
6	DC-410	Lock Nut

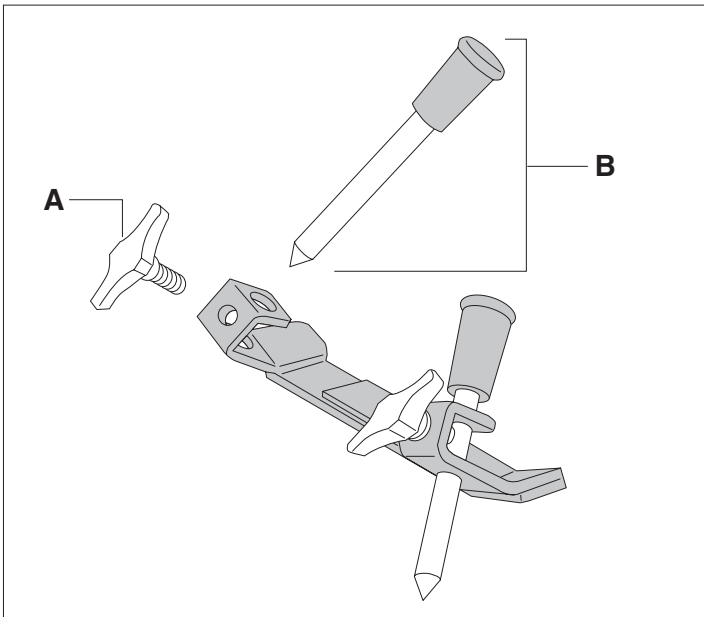
CLH-100 Closed Hat



A	CLH-10SN	Upper Section Assy. Complete	B	TU-75A	Tube Assy. Complete
1	TLH-100A	Top Section Assy.	1	BC-855A	Boom Clamp Assy.
1-A	M-8W	Die Cast Wing Nut	1-A	M-8C	Die-Cast Wing Nut w/Washer
1-B	WS-57	Steel Washer	1-B	SP-27	Spring
1-C	FL-95A	Felt Washer (one each)	1-C	DC-371	Clamp Gear Link
1-D	PA-95S	Plastic Sleeve w/Spring	1-D	BTL-85N	Boom Clamp Bolt
1-E	ME-188	Lock Nut	2	SX-2N	Stop Lock, Complete
1-F	FE-10	Felt Washer	2-A	KB-630	Key Bolt
1-G	FE-17	Felt Washer	3	NP-164	Plastic End Cap
1-H	PR-128	Steel Washer			
2	TLH-100B	Tilter Section Assy.			
3	B-CHS	Logo Plate (one each)			
4	M-815PN	Die Cast Wing Bolt w/Pin			
5	SX-8	Stop Lock, Complete			
6	NP-71	Plastic Tip			

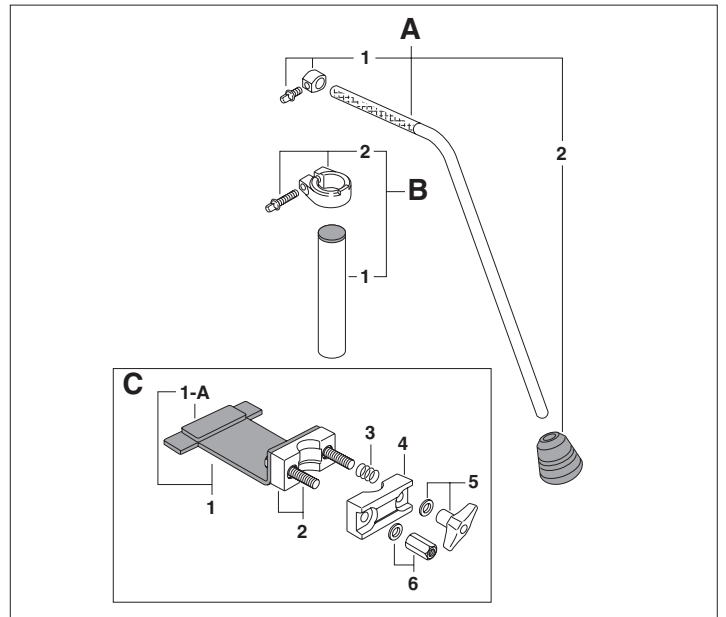
PEDAL STABILIZER, HI-HAT ACCESSORIES

PS-85 Stabilizer



- A** M-815N Die-Cast Wing Bolt (one each)
B ME-209A Spike w/Rubber Tip (one each)

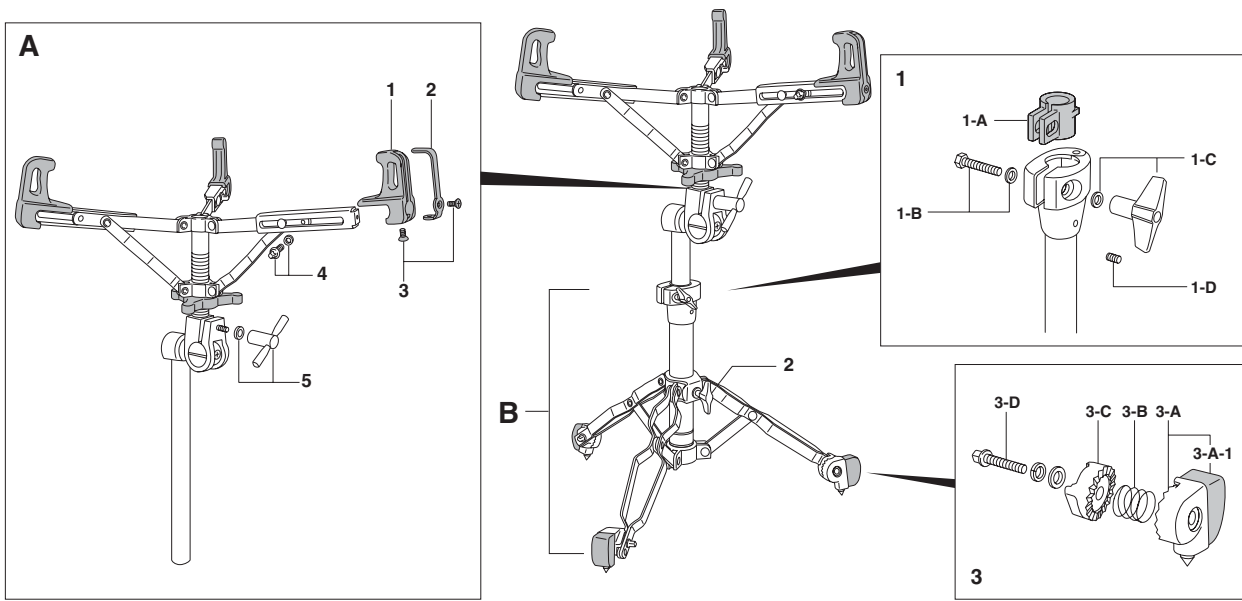
JG-16



- | | | | | | |
|----------|----------------|----------------------------|----------|-----------------|-----------------------------------|
| A | ME-508A | Leg Assy. Complete | C | PR-551AC | Pedal Plate Assy. Complete |
| 1 | LG-04S | Stop Lock Complete | 1 | PR-551A | Pedal Plate ONLY |
| 2 | R-5 | Rubber Tip | 1-A | NP-140 | Rubber Protector |
| B | PP-182A | Pipe Assy. Complete | 2 | DC-365A | Pipe Bracket w/Bolts |
| 1 | PP-182 | Pipe w/Plastic Caps | 3 | SP-45S | Spring |
| 2 | SX-2N | Stop Lock, Complete | 4 | DC-366 | Die-Cast Link |
| | | | 5 | M-8AN | Wing Nut w/Washer |
| | | | 6 | M-8SW | Hexagonal Nut w/Washer |

SNARE STANDS

S-2000

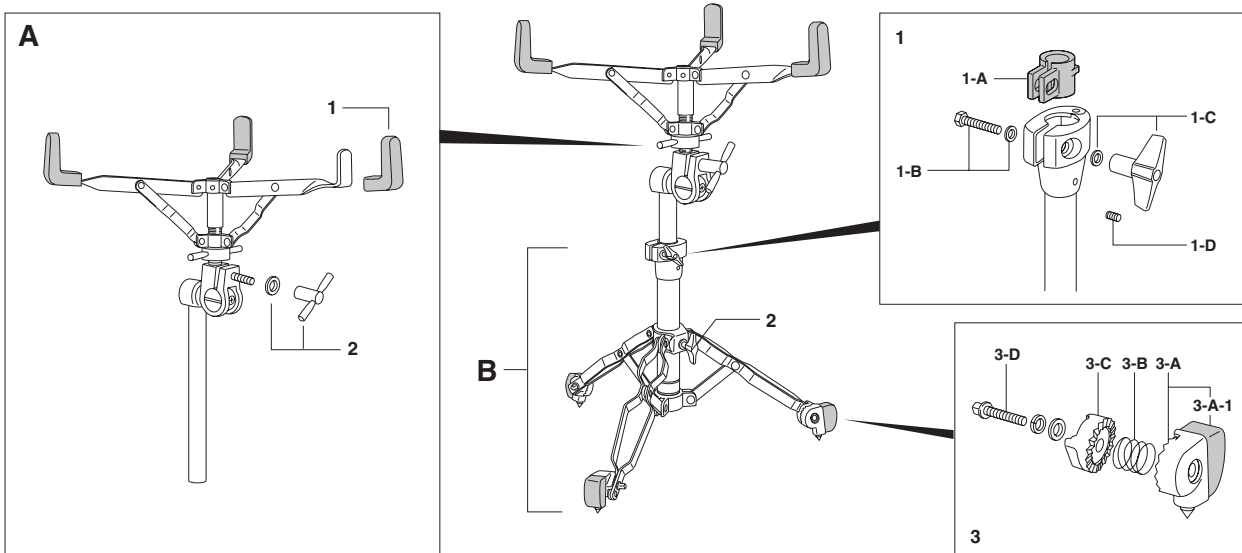


- A S-200A Basket Complete**
- 1 NP-320 Rubber Sleeve (one each)
 - 2 PR-573 Rubber Sleeve Support Plate
 - 3 SC-344 Screw (one each)
 - 4 KB-610W Key Bolt w/Washer
 - 5 M-8C Large Handle Nut w/Washer

- B S-98B Base Assy. Complete**
- 1 DJ-70A Die-Cast Joint Assy. Complete
 - 1-A NB-7N Nylon Bushing
 - 1-B SN-635 Clamp Bolt w/Nylon Washer
 - 1-C M-6N Die-Cast Wing Nut w/Washer
 - 1-D SB-44 Allen Screw
 - 2 M-820N Die-Cast Wing Bolt

- 3 CT-98A Convertible Tip Assy. Complete (one each)**
- 3-A DC-376A Convertible Tip w/Rubber Cap
 - 3-A-1 R-8H Rubber Cap ONLY
 - 3-B SP-032 Spring
 - 3-C DC-377 Die-Cast Gear Link ONLY
 - 3-D KB-630 Key Bolt

S-985W



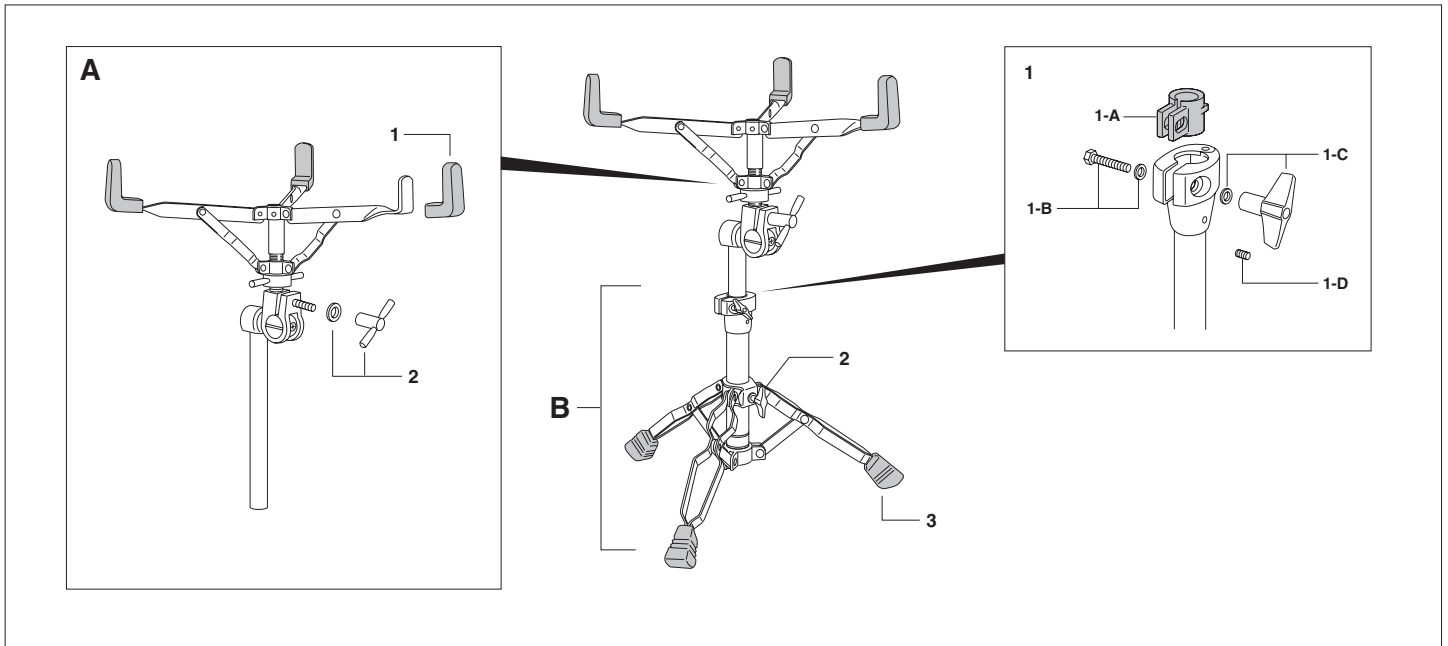
- A S-88A Basket Complete**
- 1 S-85C Rubber Sleeve (one each)
 - 2 M-8C Large Handle Nut w/Washer

- B S-98B Base Assy. Complete**
- 1 DJ-70A Die-Cast Joint Complete
 - 1-A NB-7N Nylon Bushing
 - 1-B SN-635 Clamp Bolt w/Nylon Washer
 - 1-C M-6N Die-Cast Wing Nut w/Washer
 - 1-D SB-44 Allen Screw
 - 2 M-820N Die-Cast Wing Bolt

- 3 CT-98A Convertible Tip Assy. Complete (one each)**
- 3-A DC-376A Convertible Tip w/Rubber Cap
 - 3-A-1 R-8H Rubber Cap ONLY
 - 3-B SP-032 Spring
 - 3-C DC-377 Die-Cast Gear Link ONLY
 - 3-D KB-630 Key Bolt

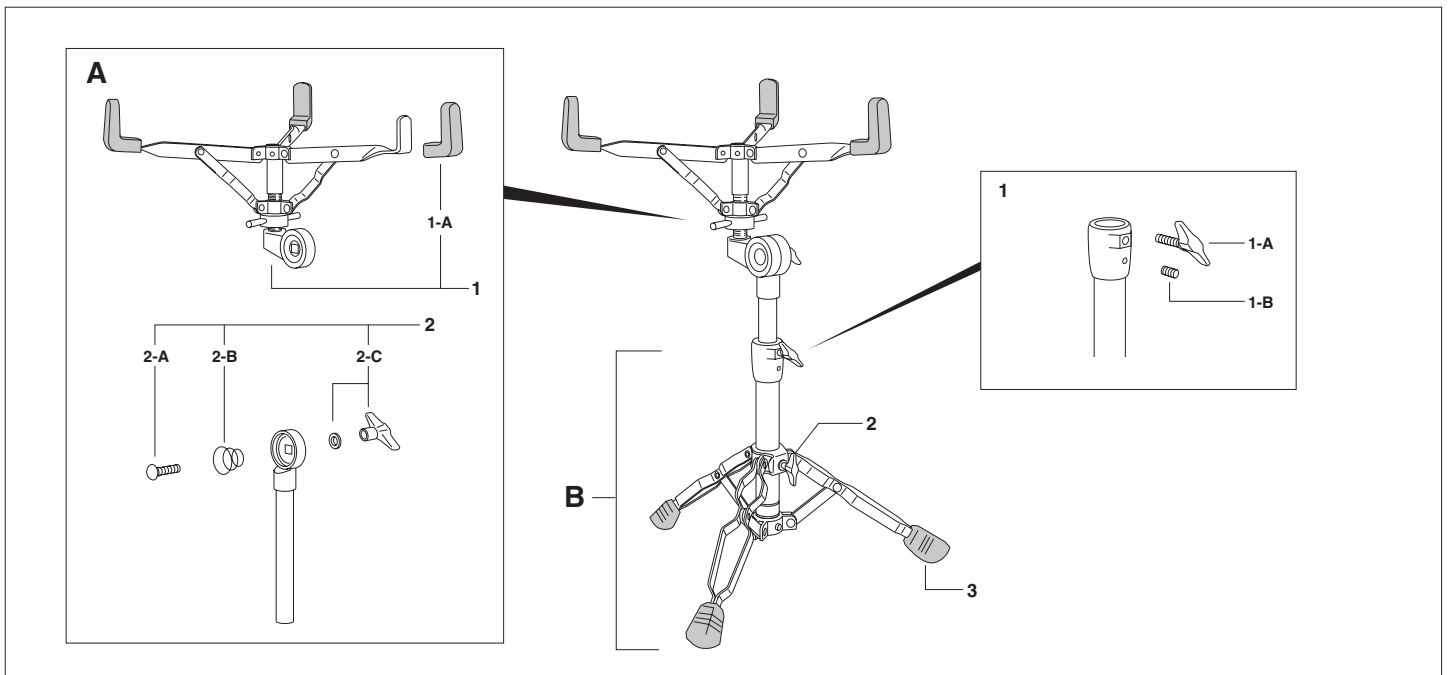
SNARE STANDS

S-885W



A	S-88A	Basket Complete	B	S-85B	Base Assy. Complete
1	S-85C	Rubber Sleeve (one each)	1	DJ-70A	Die-Cast Joint Complete
2	M-8C	Large Handle Nut w/Washer	1-A	NB-7N	Nylon Bushing
			1-B	SN-635	Clamp Bolt w/Nylon Washer
			1-C	M-6N	Die-Cast Wing Nut w/Washer
			1-D	SB-44	Allen Screw
			2	M-820N	Die-Cast Wing Bolt
			3	R-20	Rubber Tip

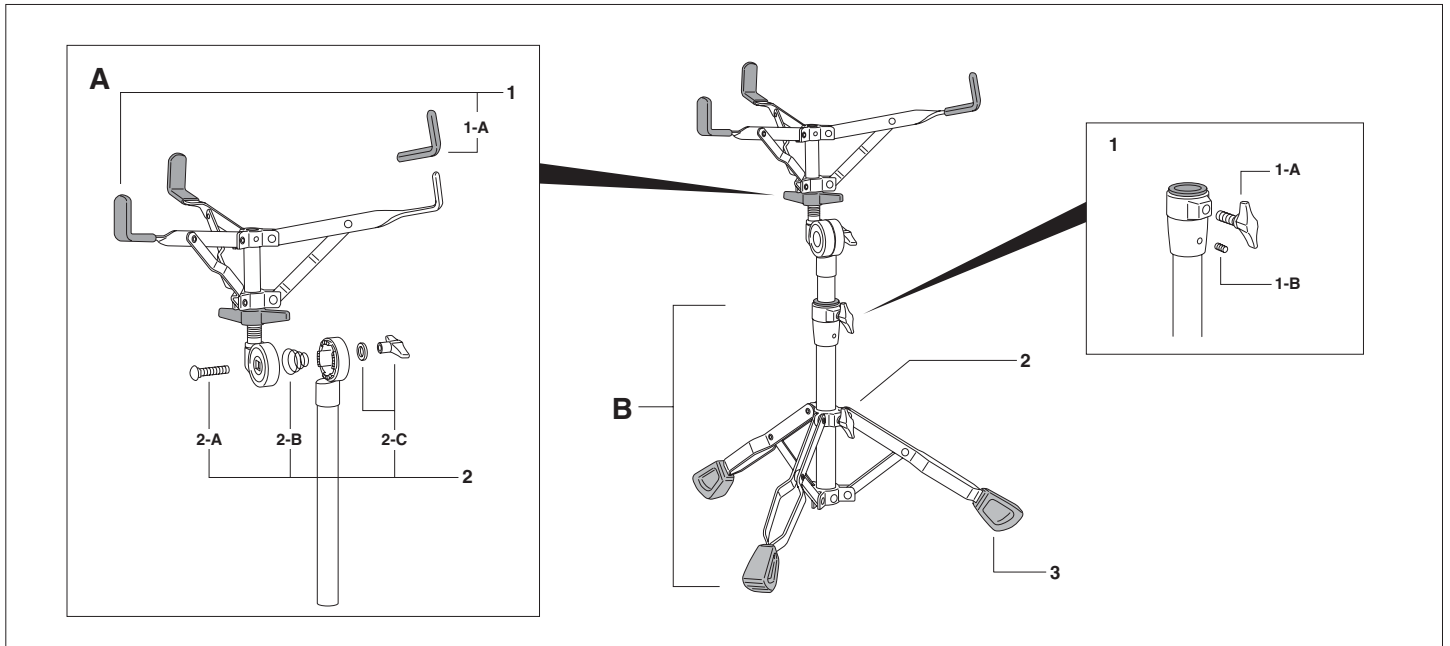
S-800W



A	S-80AN	Basket Complete	B	S-80B	Base Assy. Complete
1	S-80AAN	Basket Assy. w/Rubber Sleeves	1	DJ-75A	Die-Cast Joint Complete
1-A	S-85C	Rubber Sleeve (one each)	1-A	M-815N	Die-Cast Wing Bolt
2	SN-85A	Bolt & Nut Set w/Spring	1-B	SB-44	Allen Screw
2-A	SC-36B	Clamp Bolt	2	M-820N	Die-Cast Wing Bolt
2-B	SP-27	Spring	3	R-20	Rubber Tip
2-C	M-8AN	Die-Cast Wing Nut w/Washer			

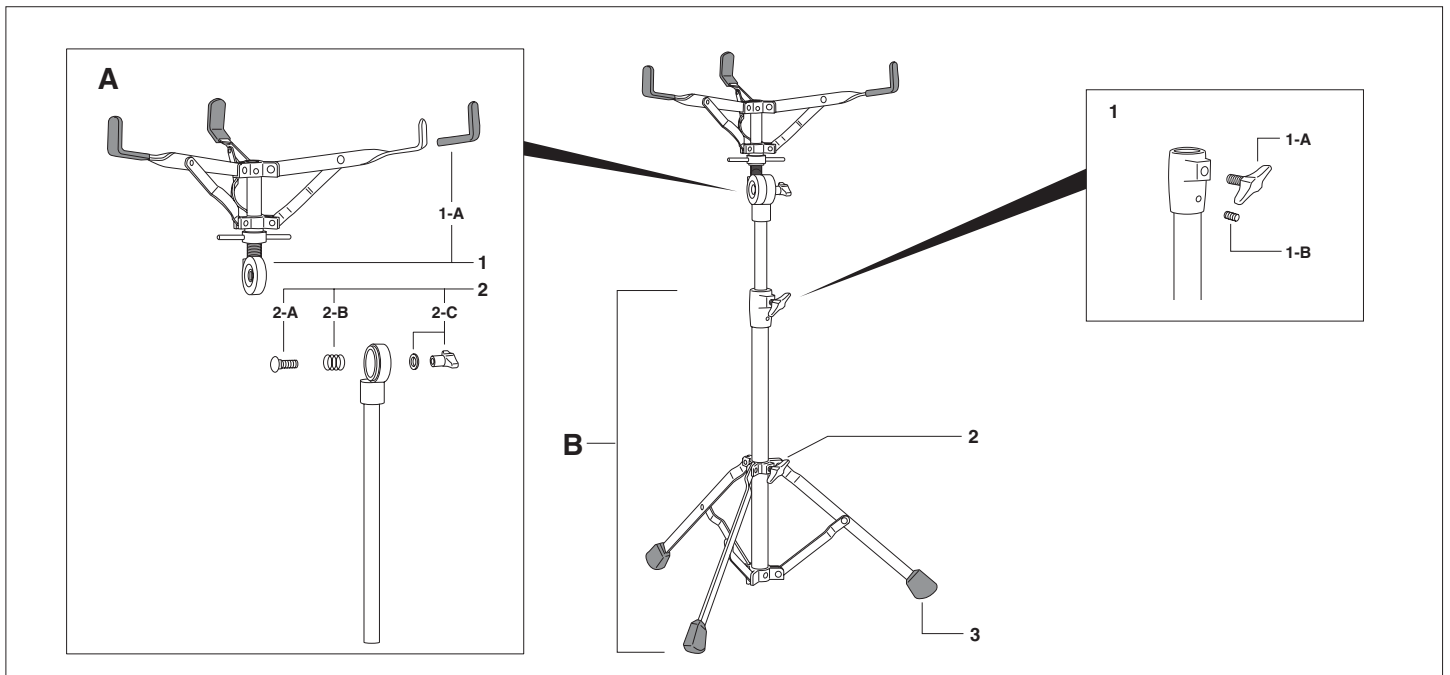
SNARE STANDS

S-70W



A	S-07A	Basket Complete	B	PP-611A	Base Assy. Complete
1	S-07AA	Basket Assy. w/Rubber Sleeves	1	DJ-07A	Die-Cast Joint Complete
1-A	S-75C	Rubber Sleeve (one each)	1-A	M-815N	Die-Cast Wing Bolt
2	SN-85A	Bolt & Nut Set w/Spring	1-B	SB-44	Allen Screw
2-A	SC-36B	Clamp Bolt	2	M-820N	Die-Cast Wing Bolt
2-B	SP-27	Spring	3	NP-604	Rubber Tip
2-C	M-8AN	Die-Cast Wing Nut w/Washer			

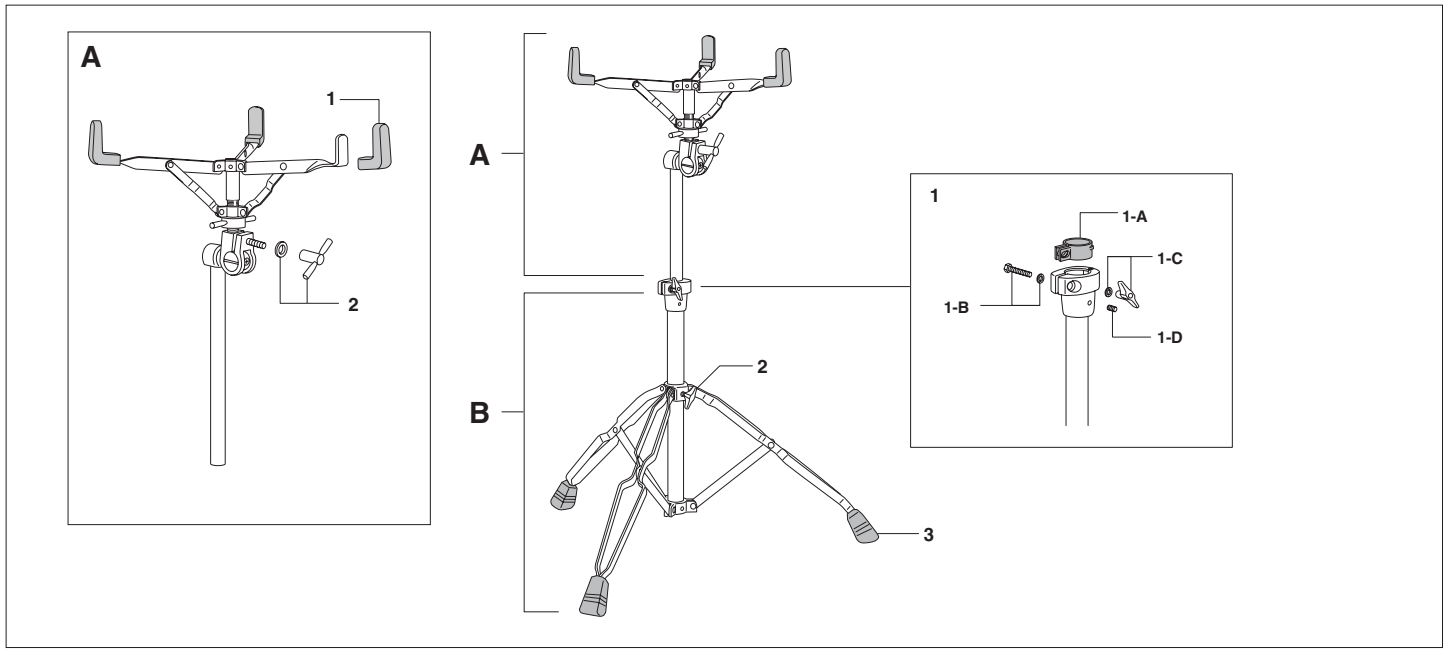
S-700L



A	S-70A	Basket Complete	B	S-70BL	Base Assy. Complete
1	S-70AA	Basket Assy. w/Rubber Sleeves	1	DJ-55A	Die-Cast Joint Complete
1-A	S-75C	Rubber Sleeve (one each)	1-A	M-815N	Die-Cast Wing Bolt
2	SN-70A	Bolt & Nut Set w/Spring	1-B	SB-44	Allen Screw
2-A	SC-33	Clamp Bolt	2	M-815N	Die-Cast Wing Bolt
2-B	SP-17	Spring	3	NP-12	Rubber Tip
2-C	M-8AN	Die-Cast Wing Nut w/Washer			

SNARE STANDS

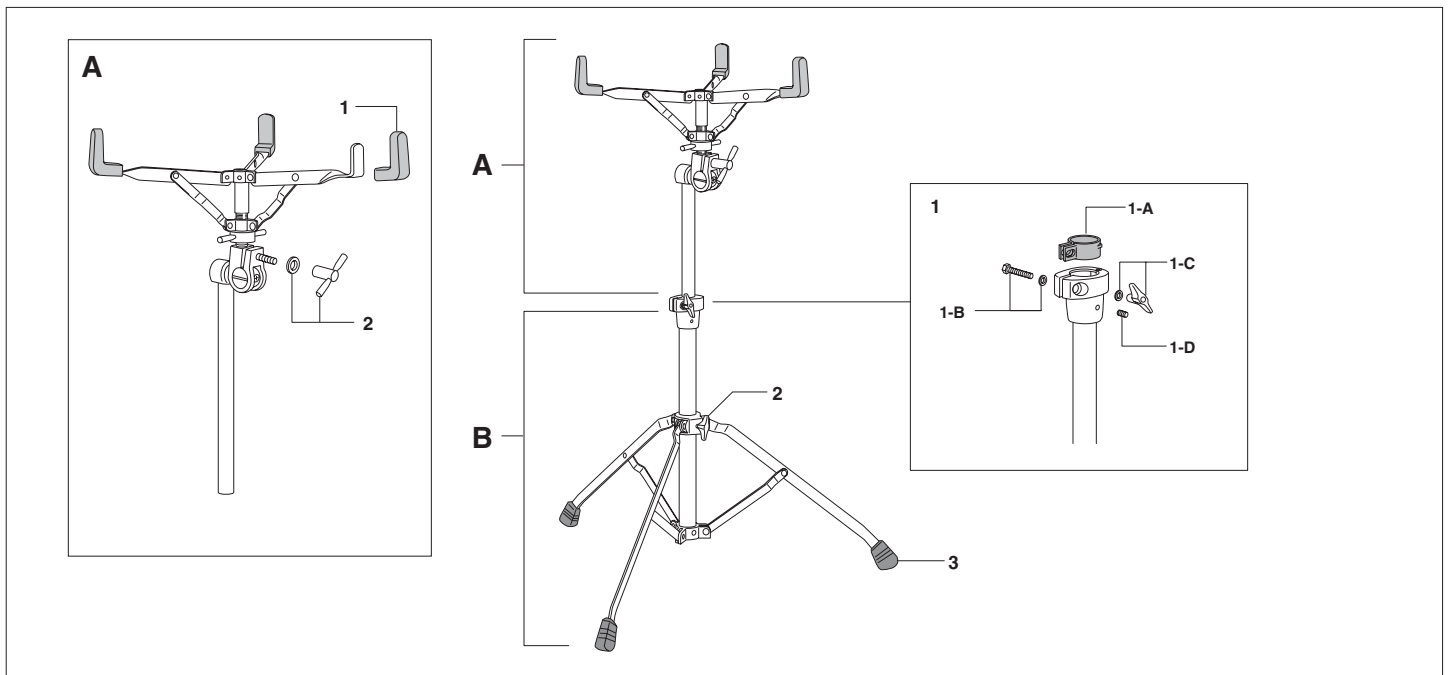
S-885WL



A S-88A Basket Complete
 1 S-85C Rubber Sleeve (one each)
 2 M-8C Large Handle Nut w/Washer

B BA-92BW Base Assy. Complete
 1 DJ-70A Die-Cast Joint Assy. Complete
 1-A NB-7N Nylon Bushing
 1-B SN-635 Clamp Bolt w/Nylon Washer
 1-C M-6N Die-Cast Wing Nut w/Washer
 1-D SB-44 Allen Screw
 2 M-820N Die-Cast Wing Bolt
 3 R-22 Rubber Tip

S-885L

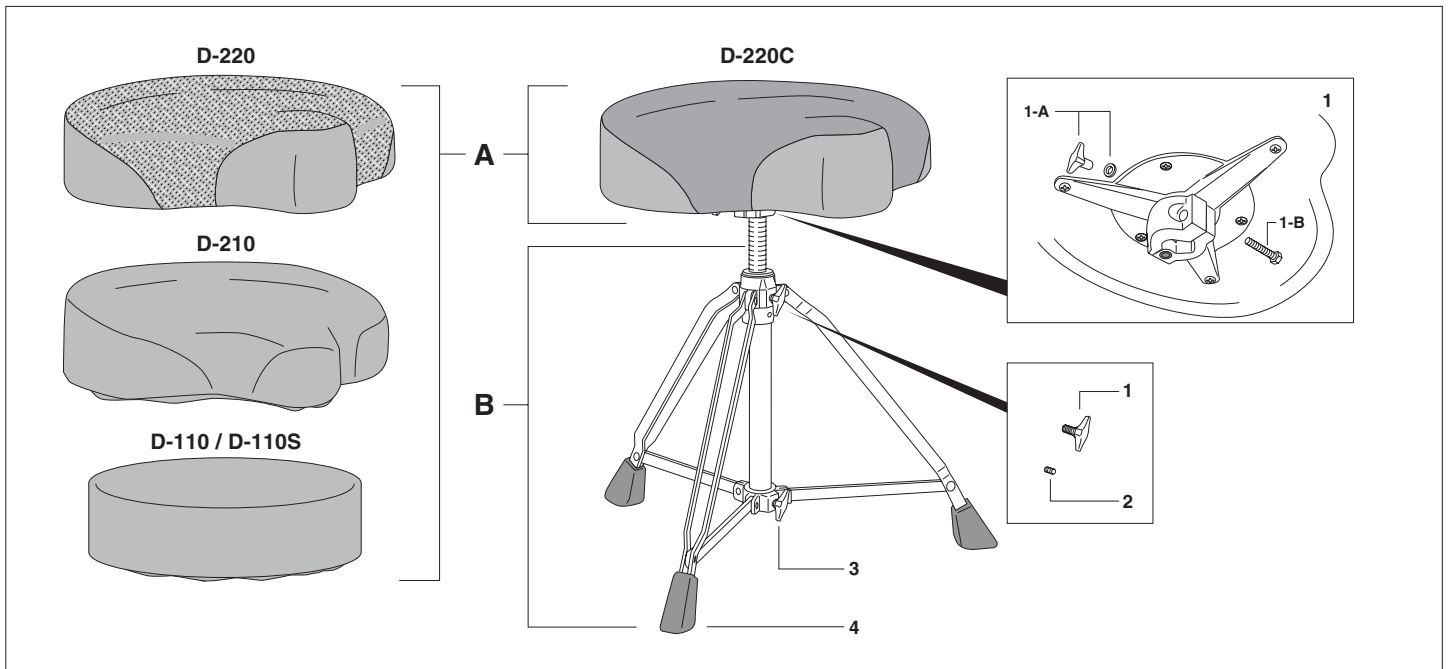


A S-88A Basket Complete
 1 S-85C Rubber Sleeve (one each)
 2 M-8C Large Handle Nut w/Washer

B BA-92BS Base Assy. Complete
 1 DJ-70A Die-Cast Joint Assy. Complete
 1-A NB-7N Nylon Bushing
 1-B SN-635 Clamp Bolt w/Nylon Washer
 1-C M-6N Die-Cast Wing Nut w/Washer
 1-D SB-44 Allen Screw
 2 M-820N Die-Cast Wing Bolt
 3 R-10 Rubber Tip

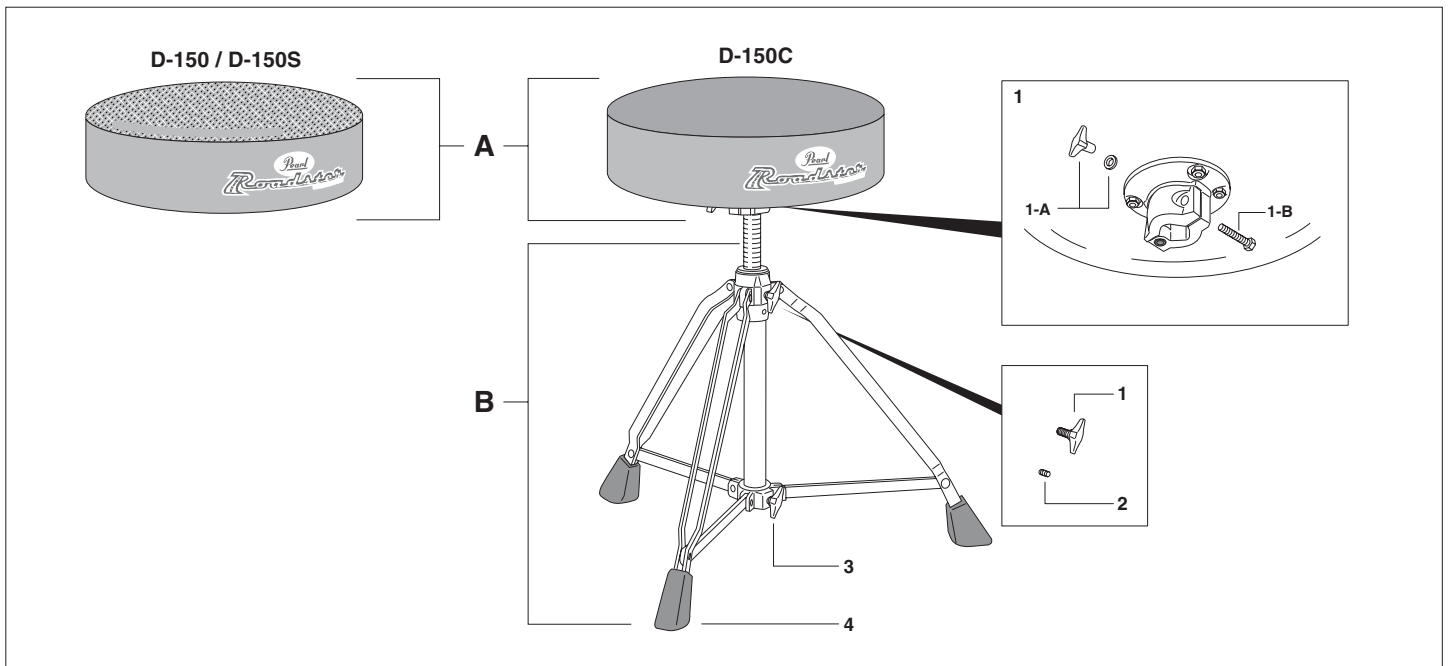
DRUM THRONES

D-220 / 220C / 210 / 110 / 110S



- | | |
|---|---|
| <p>A</p> <p>SE-22A Bike Style AirFlo Vinyl Seat (D-220)
 SE-22CA Bike Style Cloth Top Seat (D-220C)
 SE-21A Bike Style Vinyl Seat (D-210)
 SE-11A Padded Vinyl Seat (D-110, D-110S)
 1 DC-487A Rod Bracket Assy. Complete
 1-A M-8AN Die-Cast Wing Nut w/Washer
 1-B HX-835 Clamp Bolt</p> | <p>B</p> <p>D-11A Base Assy. Complete
 D-11SA Base Assy. Complete Short (D-110S)
 1 M-820N Die-Cast Wing Bolt
 2 SB-55 Allen Screw
 3 M-815N Die-Cast Wing Bolt
 4 R-26 Rubber Tip</p> |
|---|---|

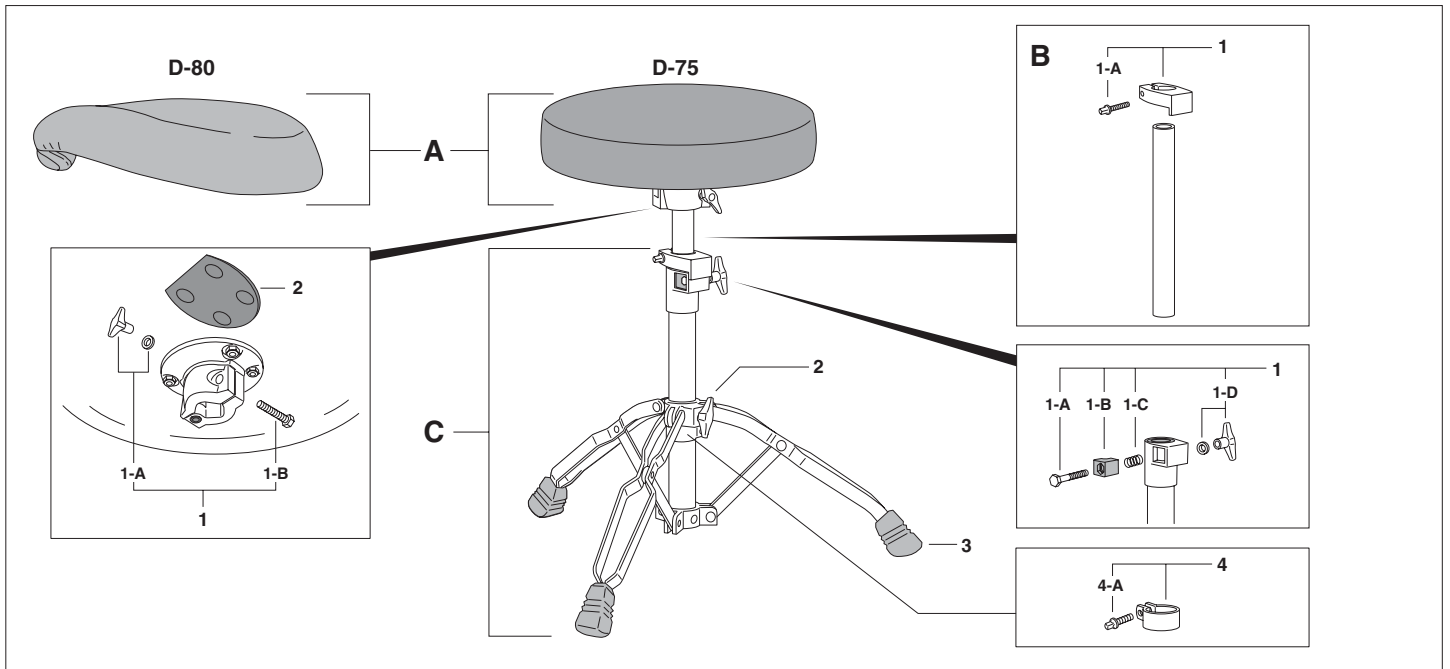
D-150 / 150C / 150S



- | | |
|---|---|
| <p>A</p> <p>SE-15A Padded AirFlo Vinyl Seat (D-150, D-150S)
 SE-15CA Padded Cloth Top Seat (D-150C)
 1 DC-498A Rod Bracket Assy. Complete
 1-A M-8AN Die-Cast Wing Nut w/Washer
 1-B HX-835 Clamp Bolt</p> | <p>B</p> <p>D-11A Base Assy. Complete (D-150, D-150C)
 D-11SA Base Assy. Complete, Short (D-150S)
 1 M-820N Die-Cast Wing Bolt w/Washer
 2 SB-55 Allen Screw
 3 M-815N Die-Cast Wing Bolt
 4 R-26 Rubber Tip</p> |
|---|---|

DRUM THRONES

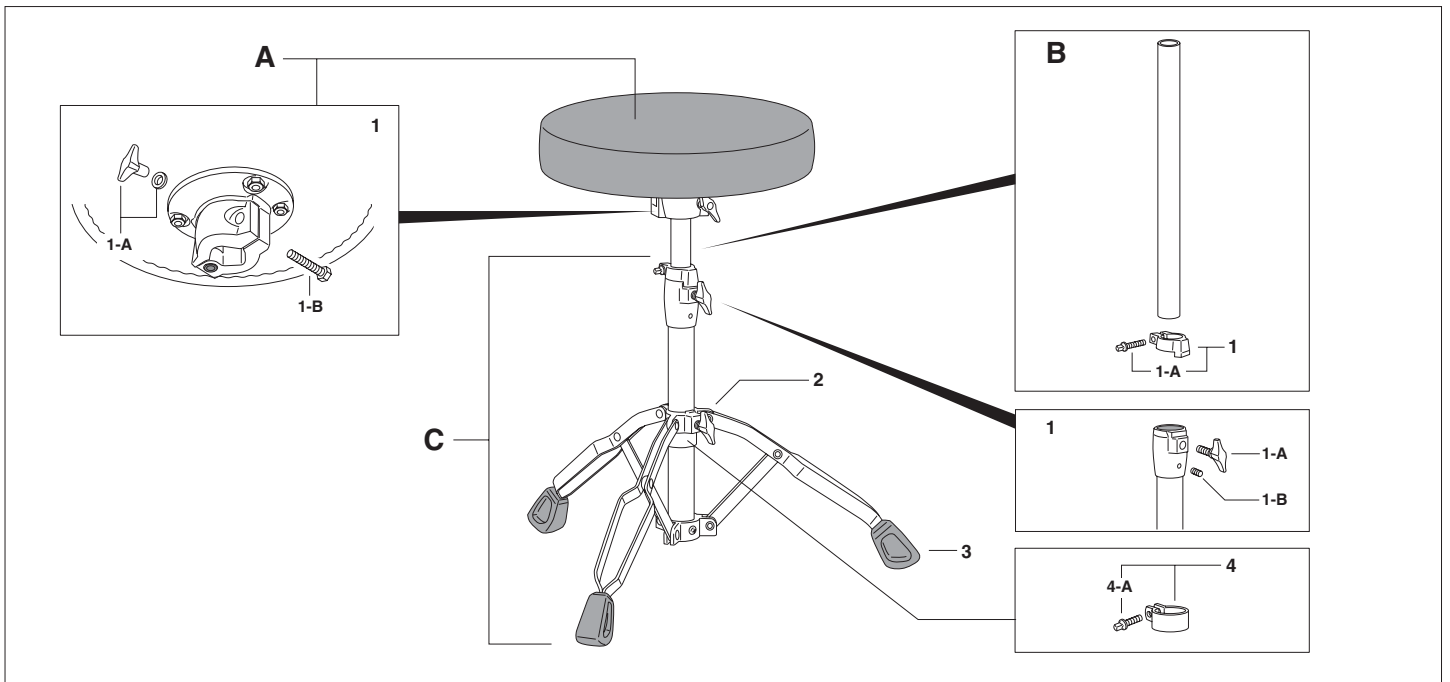
D-80/75



- A NP-274 Padded Bike Style Seat (D-80)**
NP-88N Padded Vinyl Seat (D-75)
 1 DC-498A Rod Bracket Assy. Complete
 1-A M-8AN Die-Cast Wing Nut w/Washer
 1-B HX-835 Clamp Bolt
 2 NP-279 Bracket Spacer (D-80)
- B SF-85AA Height Adjustment Rod Assy. Complete**
 1 SX-5 Stop Lock, Complete
 1-A KB-630 Key Bolt

- C D-75A Base Assy. Complete**
 1 DW-85SN Bolt & Nut Assy. Complete
 1-A ME-198 Clamp Bolt
 1-B BS-1 Block Stopper
 1-C SP-36 Spring
 1-D M-8BN Die-Cast Wing Nut w/Washer
 2 M-815N Die-Cast Wing Bolt
 3 R-20 Rubber Tip
 4 SX-7 Stop Lock, Complete
 4-A SC-40 Key Bolt

D-70W

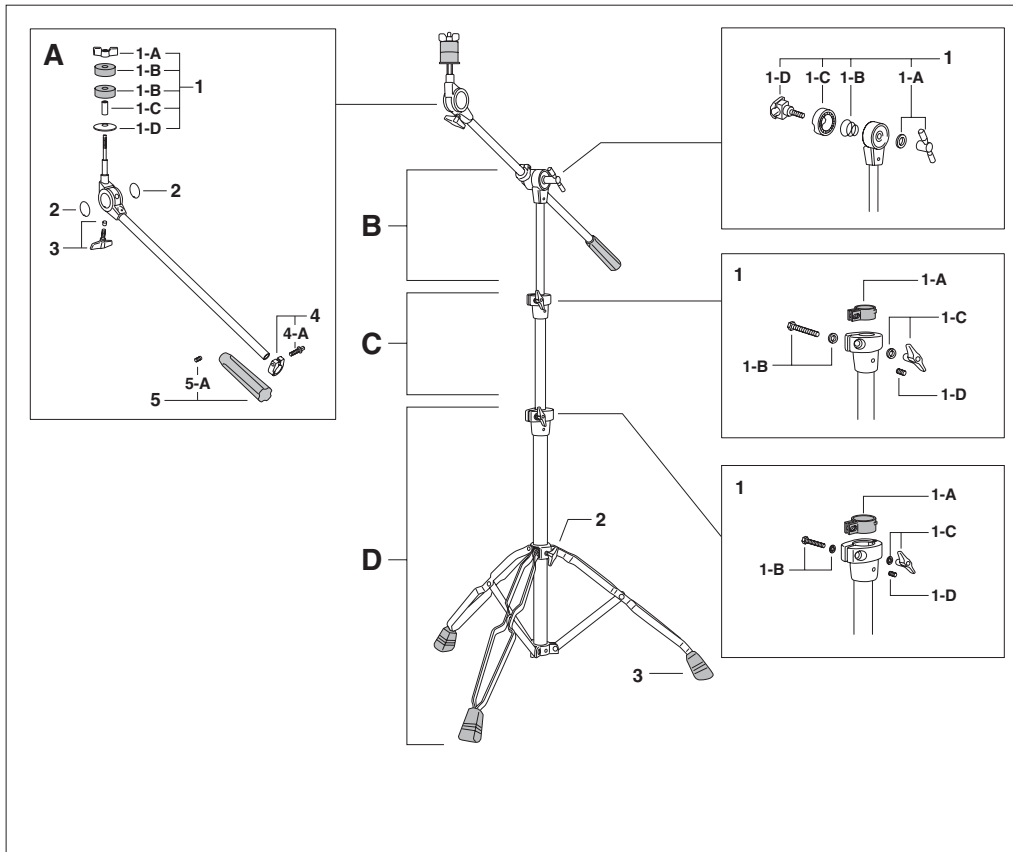


- A NP-609 Padded Vinyl Seat**
 1 DC-498A Rod Bracket Assy. Complete
 1-A M-8AN Die-Cast Wing Nut w/Washer
 1-B HX-835 Clamp Bolt
- B PP-610A Height Adjustment Rod Assy. Complete**
 1 SX-07 Stop Lock, Complete
 1-A SC-60 Key Bolt

- C PP-609A Base Assy. Complete**
 1 DJ-07A Die-Cast Joint Assy. Complete
 1-A M-815N Die-Cast Wing Bolt
 1-B SB-44 Allen Screw
 2 M-815N Die-Cast Wing Bolt
 3 NP-604 Rubber Tip
 4 SX-7 Stop Lock, Complete
 4-A SC-40 Key Bolt

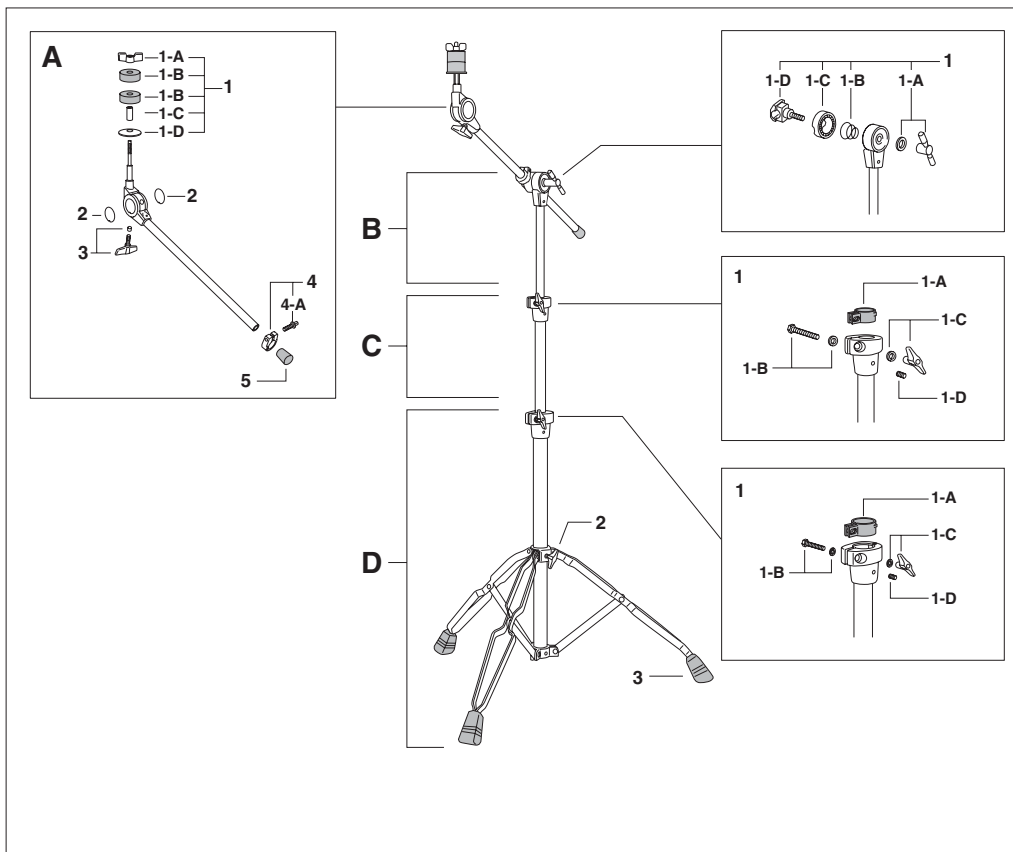
CYMBAL BOOM STANDS

B-855WL



- A B-88LN Boom Arm Assy. Complete**
- 1 FL-90A Upper Tilter Section Complete
 - 1-A M-8W Die-Cast Wing Nut
 - 1-B FL-90 Felt Washer
 - 1-C NP-69 Plastic Sleeve
 - 1-D PR-135 Cup Washer
 - 2 B-CHS Logo Plate (one each)
 - 3 M-815PN Die-Cast Wing Bolt w/Pin
 - 4 SX-8 Stop Lock, Complete
 - 4-A KB-625 Key Bolt
 - 5 BOW-3 Boom Weight w/Allen Screw
 - 5-A SB-55 Allen Screw
- B TU-85AN Upper Tube Assy. Complete**
- 1 BC-855A Boom Clamp Assy. Complete
 - 1-A M-8C Die-Cast Wing Nut w/Washer
 - 1-B SP-27N Spring
 - 1-C DC-371 Clamp Gear Link
 - 1-D BTL-85N Boom Clamp Bolt
- C CP-50A Center Tube Assy. Complete**
- 1 DJ-50A Die-Cast Joint Assy. Complete
 - 1-A NB-5N Nylon Bushing
 - 1-B SN-635 Clamp Bolt w/Nylon Washer
 - 1-C M-6N Die-Cast Wing Nut w/Washer
 - 1-D SB-44 Allen Screw
- D BA-92BW Base Assy. Complete**
- 1 DJ-70A Die-Cast Joint Assy. Complete
 - 1-A NB-7N Nylon Bushing
 - 1-B SN-635 Clamp Bolt w/Nylon Washer
 - 1-C M-6N Die-Cast Wing Nut w/Washer
 - 1-D SB-44 Allen Screw
 - 2 M-820N Die-Cast Wing Bolt
 - 3 R-22 Rubber Tip

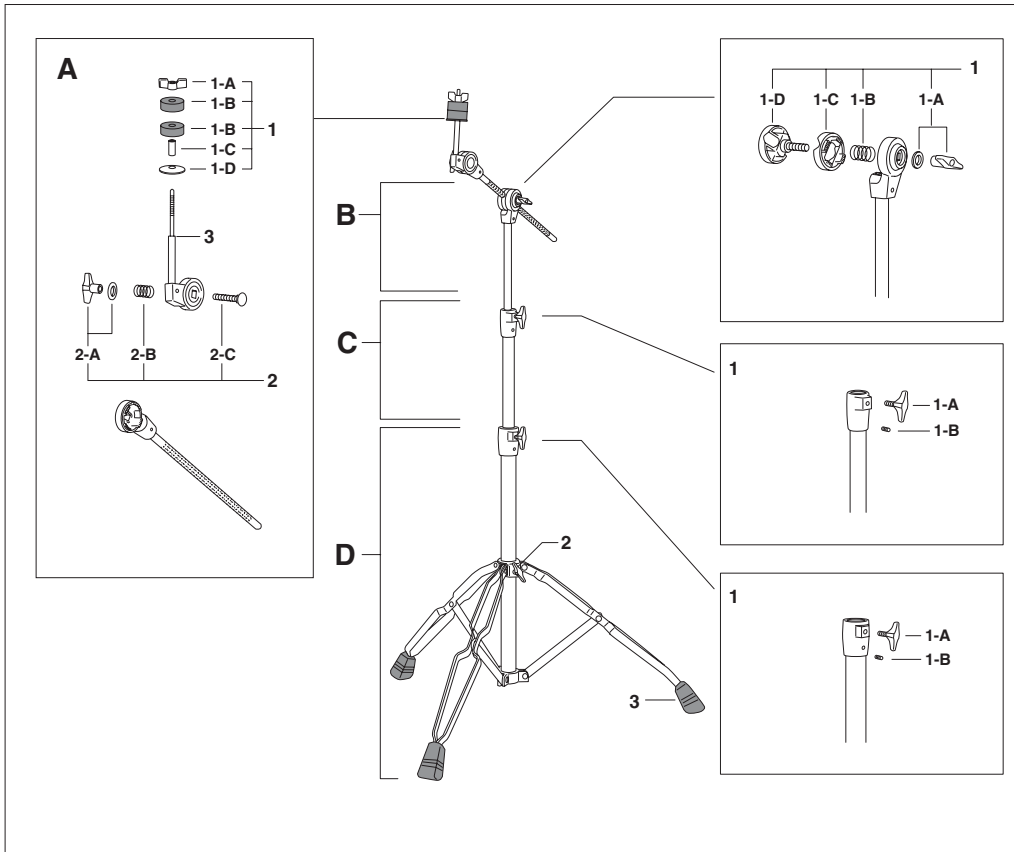
B-855W



- A B-88SN Boom Arm Assy. Complete**
- 1 FL-90A Upper Tilter Section Complete
 - 1-A M-8W Die-Cast Wing Nut
 - 1-B FL-90 Felt Washer
 - 1-C NP-69 Plastic Sleeve
 - 1-D PR-135 Cup Washer
 - 2 B-CHS Logo Plate (one each)
 - 3 M-815PN Die-Cast Wing Bolt w/Pin
 - 4 SX-8 Stop Lock, Complete
 - 4-A KB-625 Key Bolt
 - 5 NP-71 Plastic Tip
- B TU-85AN Upper Tube Assy. Complete**
- 1 BC-855A Boom Clamp Assy. Complete
 - 1-A M-8C Die-Cast Wing Nut w/Washer
 - 1-B SP-27N Spring
 - 1-C DC-371 Clamp Gear Link
 - 1-D BTL-85N Boom Clamp Bolt
- C CP-50A Center Tube Assy. Complete**
- 1 DJ-50A Die-Cast Joint Assy. Complete
 - 1-A NB-5N Nylon Bushing
 - 1-B SN-635 Clamp Bolt w/Nylon Washer
 - 1-C M-6N Die-Cast Wing Nut w/Washer
 - 1-D SB-44 Allen Screw
- D BA-92BW Base Assy. Complete**
- 1 DJ-70A Die-Cast Joint Assy. Complete
 - 1-A NB-7N Nylon Bushing
 - 1-B SN-635 Clamp Bolt w/Nylon Washer
 - 1-C M-6N Die-Cast Wing Nut w/Washer
 - 1-D SB-44 Allen Screw
 - 2 M-820N Die-Cast Wing Bolt
 - 3 R-22 Rubber Tip

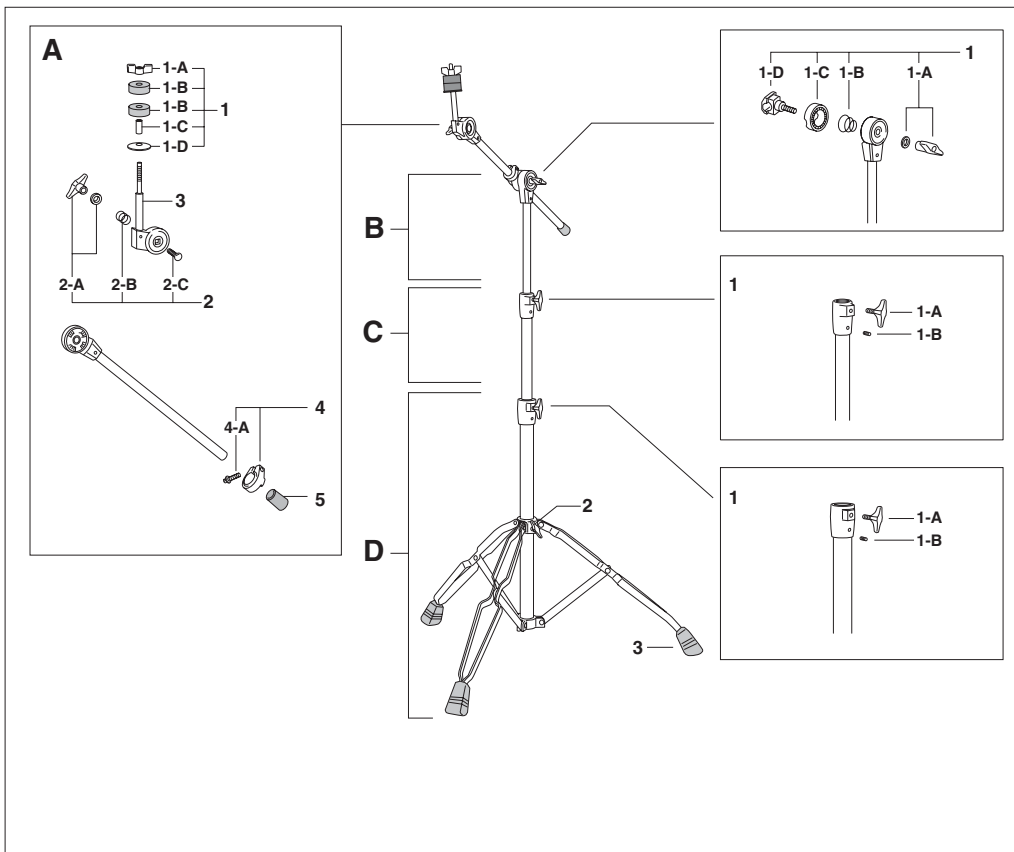
CYMBAL BOOM STANDS

BC-800W



- A ME-521AC Boom Arm Assy. Complete**
- 1 FL-80AN Upper Tilter Section Complete
 - 1-A M-8W Die-Cast Wing Nut
 - 1-B FE-32 Felt Washer
 - 1-C NP-70 Plastic Sleeve
 - 1-D PR-135 Cup Washer
 - 2 SN-800A Bolt & Nut Set w/Spring
 - 2-A M-8BN Die-Cast Wing Nut w/Washer
 - 2-B SP-032 Spring
 - 2-C SC-36B Clamp Bolt
 - 3 SN-800N Tilter Unit
- B TU-80BC Upper Tube Assy. Complete**
- 1 BC-80BC Boom Clamp Assy. Complete
 - 1-A M-8AN Die-Cast Wing Nut w/Washer
 - 1-B SP-032 Spring
 - 1-C DC-530 Clamp Gear Link
 - 1-D DC-529A Boom Clamp Bolt
- C PP-149BA Center Tube Assy. Complete**
- 1 DJ-55A Die-Cast Joint Assy. Complete
 - 1-A M-815N Die-Cast Wing Bolt
 - 1-B SB-44 Allen Screw
- D BA-800BW Base Assy. Complete**
- 1 DJ-75A Die-Cast Joint Assy. Complete
 - 1-A M-815N Die-Cast Wing Bolt
 - 1-B SB-44 Allen Screw
 - 2 M-820N Die-Cast Wing Bolt
 - 3 R-22 Rubber Tip

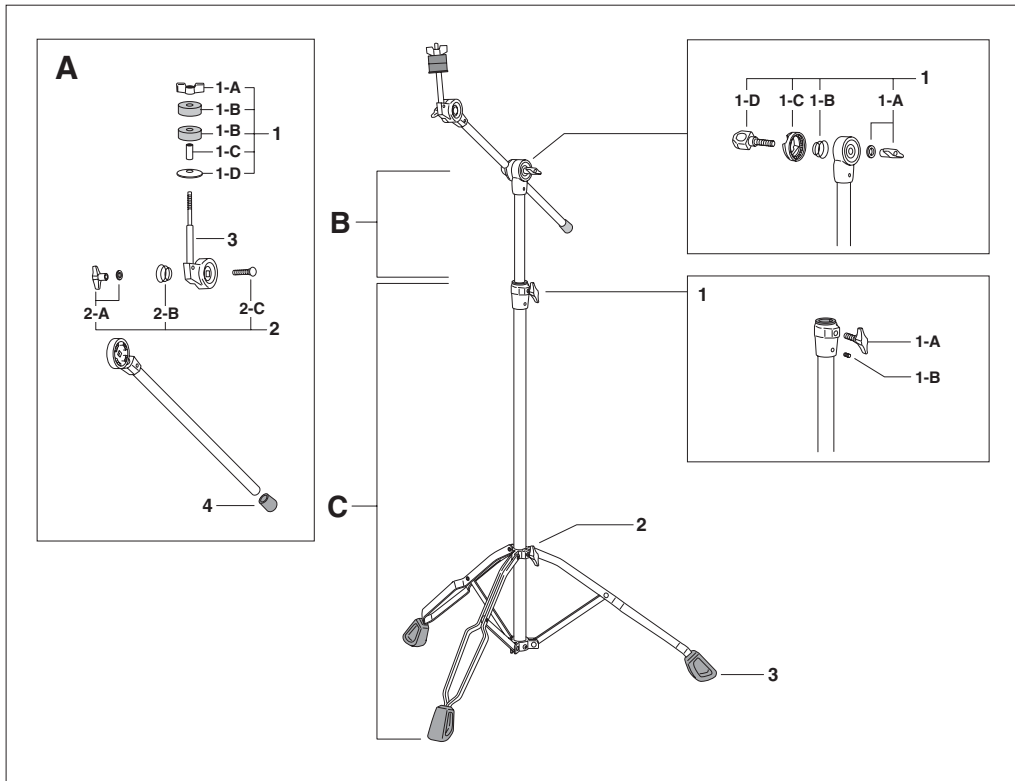
B-800W



- A PP-169ACN Boom Arm Assy. Complete**
- 1 FL-80AN Upper Tilter Section Complete
 - 1-A M-8W Die-Cast Wing Nut
 - 1-B FE-32 Felt Washer
 - 1-C NP-70 Plastic Sleeve
 - 1-D PR-135 Cup Washer
 - 2 SN-800A Bolt & Nut Set w/Spring
 - 2-A M-8BN Die-Cast Wing Nut w/Washer
 - 2-B SP-032 Spring
 - 2-C SC-36B Clamp Bolt
 - 3 SN-800N Tilter Unit
 - 4 SX-8 Stop Lock. Complete
 - 4-A KB-625 Key Bolt
 - 5 NP-71 Plastic Tip
- B TU-800A Upper Tube Assy. Complete**
- 1 BC-800A Boom Clamp Assy. Complete
 - 1-A M-8AN Die-Cast Wing Nut w/Washer
 - 1-B SP-27N Spring
 - 1-C DC-371 Clamp Gear Link
 - 1-D BTL-85N Boom Clamp Bolt
- C PP-149BA Center Tube Assy. Complete**
- 1 DJ-55A Die-Cast Joint Assy. Complete
 - 1-A M-815N Die-Cast Wing Bolt
 - 1-B SB-44 Allen Screw
- D BA-800BW Base Assy. Complete**
- 1 DJ-75A Die-Cast Joint Assy. Complete
 - 1-A M-815N Die-Cast Wing Bolt
 - 1-B SB-44 Allen Screw
 - 2 M-820N Die-Cast Wing Bolt
 - 3 R-22 Rubber Tip

CYMBAL BOOM STANDS

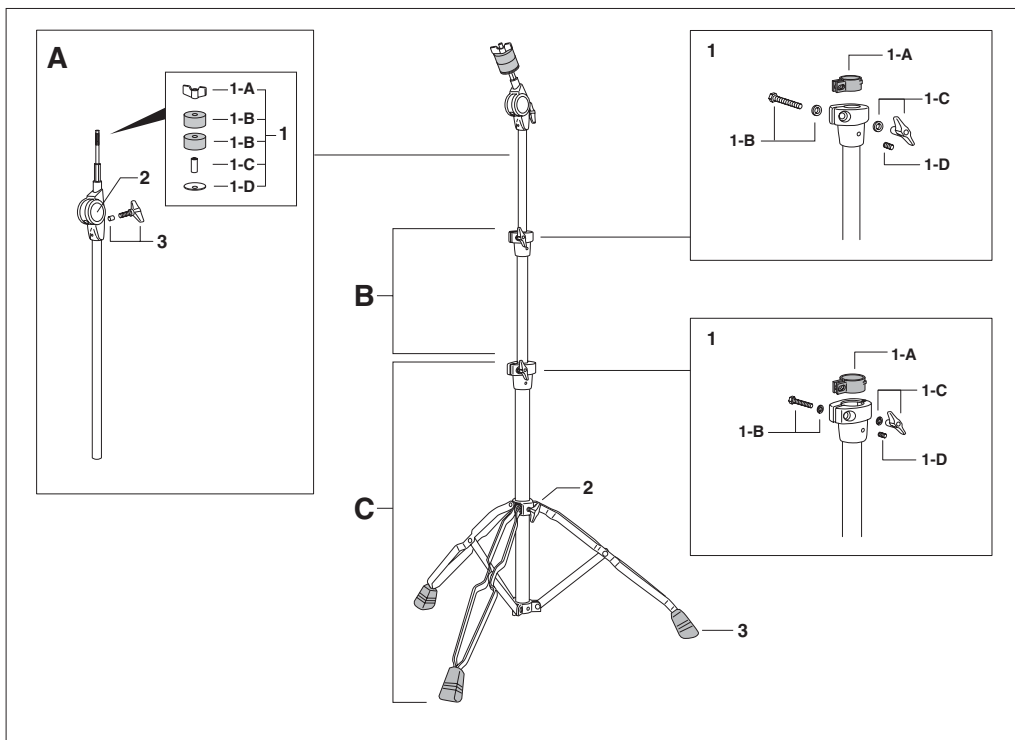
B-70W



- A PP-605A Boom Arm Assy. Complete**
 1 FL-80AN Upper Tilter Section Complete
 1-A M-8W Die-Cast Wing Nut
 1-B FE-32 Felt Washer
 1-C NP-70 Plastic Sleeve
 1-D PR-135 Cup Washer
 2 SN-800A Bolt & Nut Set w/Spring
 2-A M-8BN Die-Cast Wing Nut w/Washer
 2-B SP-27N Spring
 2-C SC-36B Clamp Bolt
 3 SN-800N Tilter Unit
 4 NP-71 Plastic Tip
- B PP-604A Upper Tube Assy. Complete**
 1 BC-07A Boom Clamp Assy. Complete
 1-A M-8AN Die-Cast Wing Nut w/Washer
 1-B SP-27N Spring
 1-C DC-606A Clamp Gear Link
 1-D DC-607A Boom Clamp Bolt
- C PP-603A Base Assy. Complete**
 1 DJ-07A Die-Cast Joint Assy. Complete
 1-A M-815N Die-Cast Wing Bolt
 1-B SB-44 Allen Screw
 2 M-820N Die-Cast Wing Bolt
 3 NP-604 Rubber Tips

CYMBAL STANDS

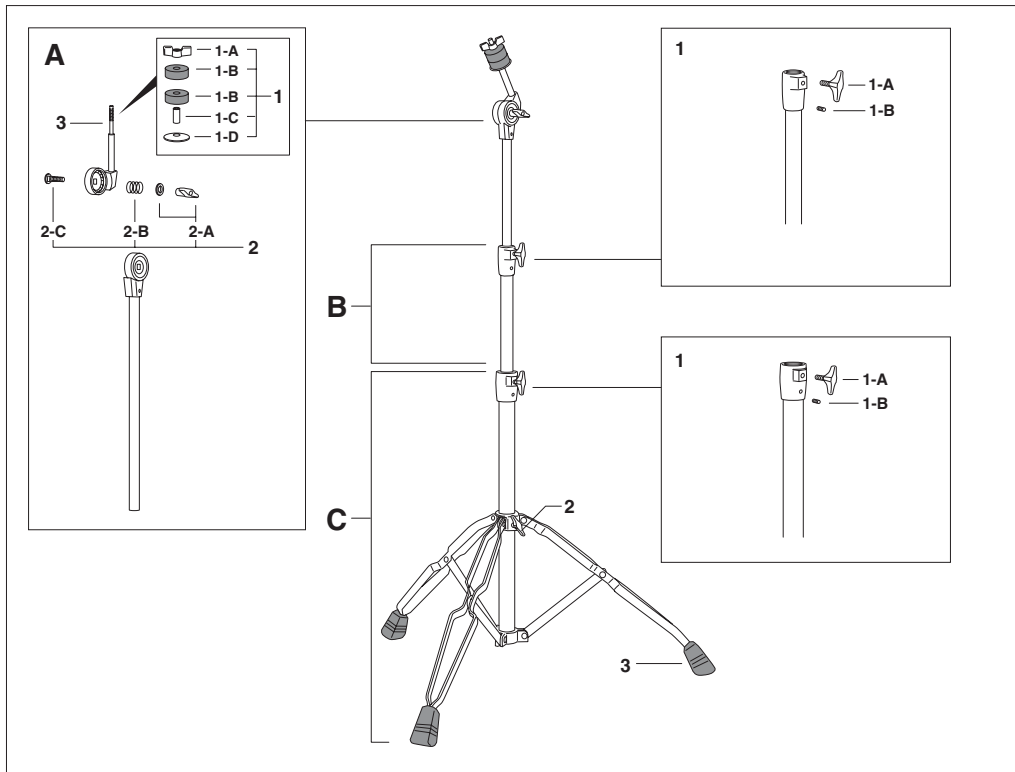
C-855W



- A C-85AN Upper Tube Assy. Complete**
 1 FL-90A Upper Tilter Section Complete
 1-A M-8W Die-Cast Wing Nut
 1-B FL-90 Felt Washer
 1-C NP-69 Plastic Sleeve
 1-D PR-135 Cup Washer
 2 B-CHS Logo Plate (one each)
 3 M-815PN Wing Bolt w/Pin
- B CP-50A Center Tube Assy. Complete**
 1 DJ-50A Die-Cast Joint Assy. Complete
 1-A NB-5N Nylon Bushing
 1-B SN-635 Clamp Bolt w/Nylon Washer
 1-C M-6N Die-Cast Wing Nut w/Washer
 1-D SB-44 Allen Screw
- C BA-92BW Base Assy. Complete**
 1 DJ-70A Die-Cast Joint Assy. Complete
 1-A NB-7N Nylon Bushing
 1-B SN-635 Clamp Bolt w/Nylon Washer
 1-C M-6N Die-Cast Wing Nut w/Washer
 1-D SB-44 Allen Screw
 2 M-820N Die-Cast Wing Bolt
 3 R-22 Rubber Tip

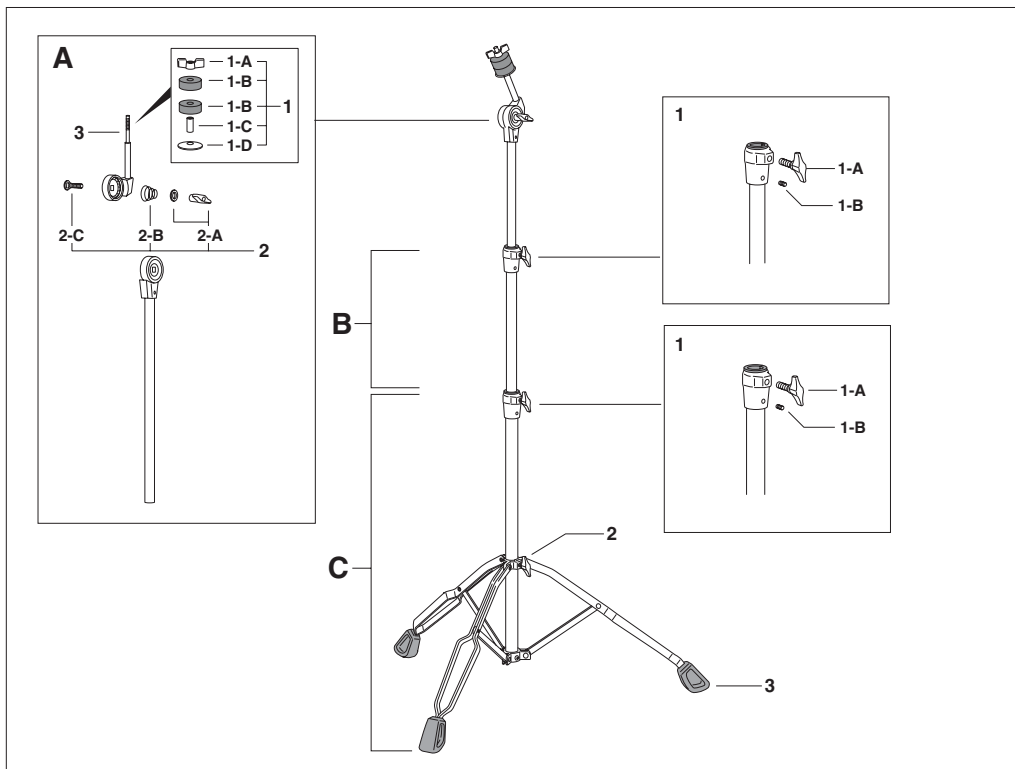
CYMBAL STANDS

C-800W



- A C-80AN Upper Tube Assy. Complete**
- 1 FL-80AN Upper Tilter Section Complete
 - 1-A M-8W Die-Cast Wing Nut
 - 1-B FE-32 Felt Washer
 - 1-C NP-70 Plastic Sleeve
 - 1-D PR-135 Cup Washer
 - 2 SN-800A Bolt & Nut Set w/Spring
 - 2-A M-8BN Die-Cast Wing Nut w/Washer
 - 2-B SP-032 Spring
 - 2-C SC-36B Clamp Bolt
 - 3 SN-800N Tilter Unit
- B PP-149BA Center Tube Assy. Complete**
- 1 DJ-55A Die-Cast Joint Assy. Complete
 - 1-A M-815N Die-Cast Wing Bolt
 - 1-B SB-44 Allen Screw
- C BA-800BW Base Assy. Complete**
- 1 DJ-75A Die-Cast Joint Assy. Complete
 - 1-A M-815N Die-Cast Wing Bolt
 - 1-B SB-44 Allen Screw
 - 2 M-820N Die-Cast Wing Bolt
 - 3 R-22 Rubber Tip

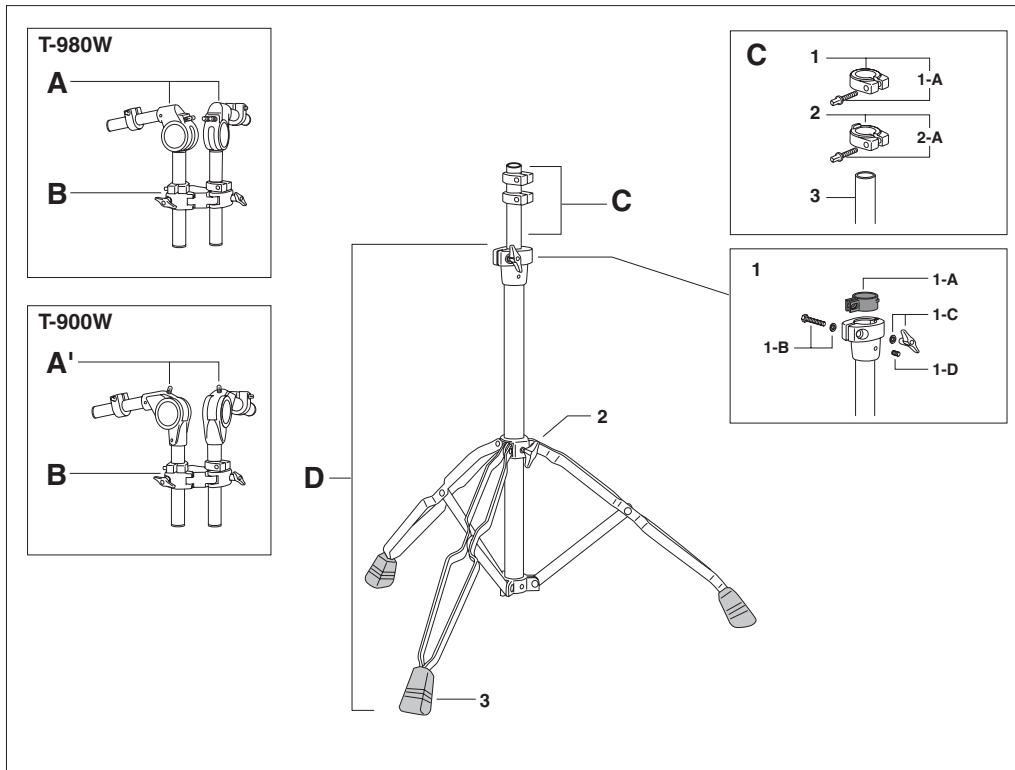
C-70W



- A PP-608A Upper Tube Assy. Complete**
- 1 FL-80AN Upper Tilter Section Complete
 - 1-A M-8W Die-Cast Wing Nut
 - 1-B FE-32 Felt Washer
 - 1-C NP-70 Plastic Sleeve
 - 1-D PR-135 Cup Washer
 - 2 SN-800A Bolt & Nut Set w/Spring
 - 2-A M-8BN Die-Cast Wing Nut w/Washer
 - 2-B SP-27N Spring
 - 2-C SC-36B Clamp Bolt
 - 3 SN-800N Tilter Unit
- B PP-607A Center Tube Assy. Complete**
- 1 DJ-007A Die-Cast Joint Assy. Complete
 - 1-A M-815N Die-Cast Wing Bolt
 - 1-B SB-44 Allen Screw
- C PP-606A Base Assy. Complete**
- 1 DJ-07A Die-Cast Joint Assy. Complete
 - 1-A M-815N Die-Cast Wing Bolt
 - 1-B SB-44 Allen Screw
 - 2 M-820N Die-Cast Wing Bolt
 - 3 NP-604 Rubber Tip

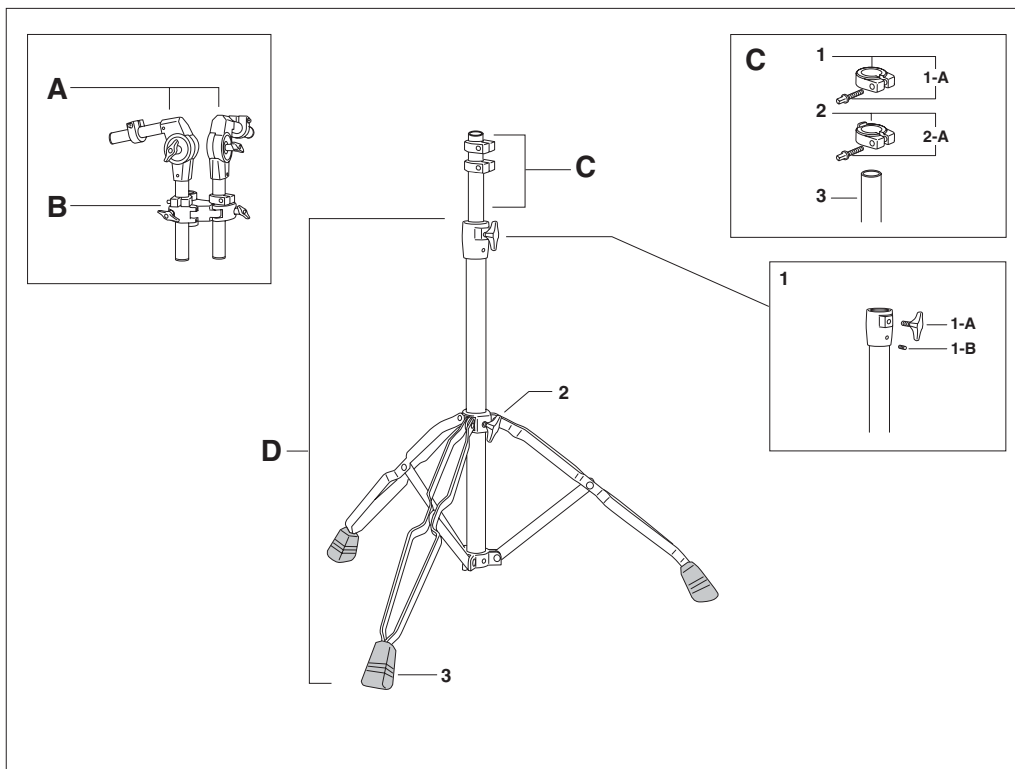
TOM STANDS

T-980W / T-900W



- A TH-100S Tom Holder/Short (T-980W)**
- A' TH-98S Tom Holder/Short (T-900W)**
- B AX-38 Adapter - Please refer to the Adapter section.**
- C T-80A Upper Tube Assy. Complete**
- 1 SX-2NS Stop Lock, Complete
- 1-A KB-630 Key Bolt
- 2 SX-2N Stop Lock, Complete
- 2-A KB-630 Key Bolt
- 3 TU-98T Upper Tube ONLY
- D BA-92BW Base Assy. Complete**
- 1 DJ-70A Die-Cast Joint Assy. Complete
- 1-A NB-7N Nylon Bushing
- 1-B SN-635 Clamp Bolt w/Nylon Washer
- 1-C M-6N Die-Cast Wing Nut w/Washer
- 1-D SB-44 Allen Screw
- 2 M-820N Die-Cast Wing Bolt
- 3 R-22 Rubber Tip

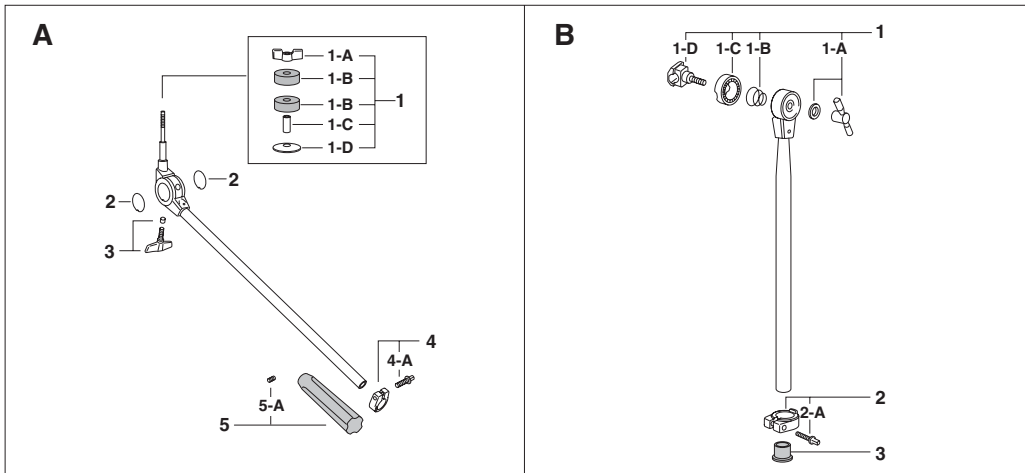
T-800W



- A TH-88S Tom Holder/Short (one each)**
- B AX-38 Adapter—Please refer to the Adapter section.**
- C T-80A Upper Tube Assy. Complete**
- 1 SX-2NS Stop Lock, Complete
- 1-A KB-630 Key Bolt
- 2 SX-2N Stop Lock, Complete
- 2-A KB-630 Key Bolt
- 3 TU-98T Upper Tube ONLY
- D BA-800BW Base Assy. Complete**
- 1 DJ-75A Die-Cast Joint Assy. Complete
- 1-A M-815N Die-Cast Wing Bolt
- 1-B SB-44 Allen Screw
- 2 M-820N Die-Cast Wing Bolt
- 3 R-22 Rubber Tip

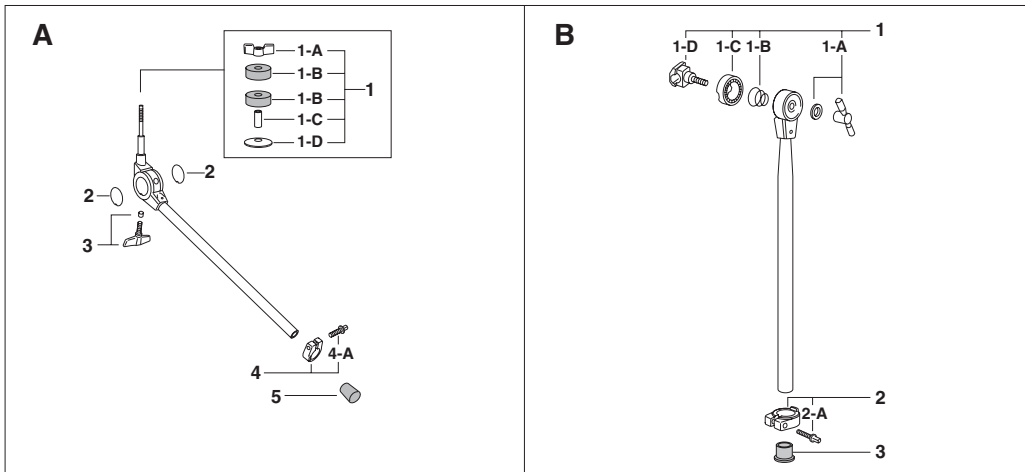
CYMBAL HOLDERS

CH-88L



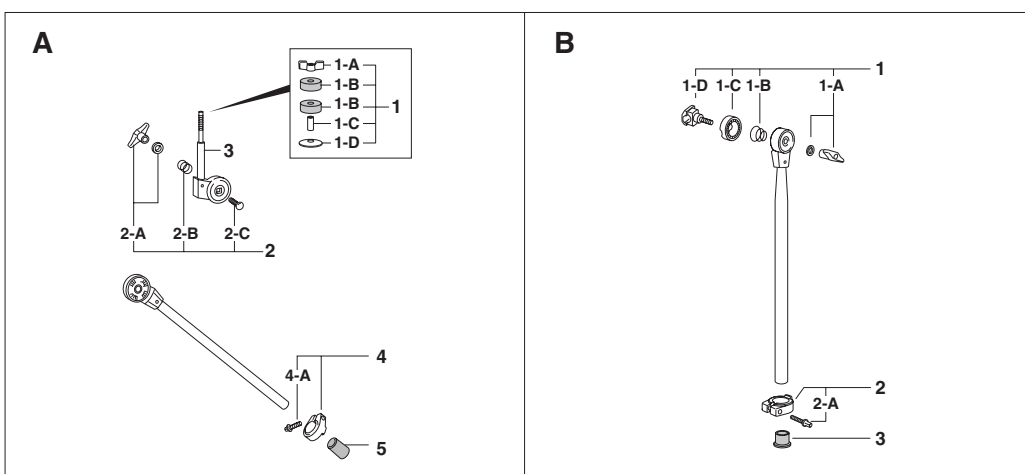
- A B-88LN Boom Arm Assy. Complete**
- 1 FL-90A Upper Tilter Section Complete
 - 1-A M-8W Die-Cast Wing Nut
 - 1-B FL-90 Felt Washer
 - 1-C NP-69 Plastic Sleeve
 - 1-D PR-135 Cup Washer
 - 2 B-CHS Logo Plate (one each)
 - 3 M-815PN Die-Cast Wing Bolt w/Pin
 - 4 SX-8 Stop Lock, Complete
 - 4-A KB-625 Key Bolt
 - 5 BOW-3 Boom Weight w/Allen Screw
 - 5-A SB-55 Allen Screw
- B TU-75A Tube Assy. Complete**
- 1 BC-855A Boom Clamp Assy. Complete
 - 1-A M-8C Die-Cast Wing Nut w/Washer
 - 1-B SP-27N Spring
 - 1-C DC-371 Clamp Gear Link
 - 1-D BTL-85N Boom Clamp Bolt
 - 2 SX-2N Stop Lock, Complete
 - 2-A KB-630 Key Bolt
 - 3 NP-164 Plastic End Cap

CH-88



- A B-88SN Boom Arm Assy. Complete**
- 1 FL-90A Upper Tilter Section Complete
 - 1-A M-8W Die-Cast Wing Nut
 - 1-B FL-90 Felt Washer
 - 1-C NP-69 Plastic Sleeve
 - 1-D PR-135 Cup Washer
 - 2 B-CHS Logo Plate (one each)
 - 3 M-815PN Die-Cast Wing Bolt w/Pin
 - 4 SX-8 Stop Lock, Complete
 - 4-A KB-625 Key Bolt
 - 5 NP-71 Plastic Tip
- B TU-75A Tube Assy. Complete**
- 1 BC-855A Boom Clamp Assy. Complete
 - 1-A M-8C Die-Cast Wing Nut w/Washer
 - 1-B SP-27N Spring
 - 1-C DC-371N Clamp Gear Link
 - 1-D BTL-85N Boom Clamp Bolt
 - 2 SX-2N Stop Lock, Complete
 - 2-A KB-630 Key Bolt
 - 3 NP-164 Plastic End Cap

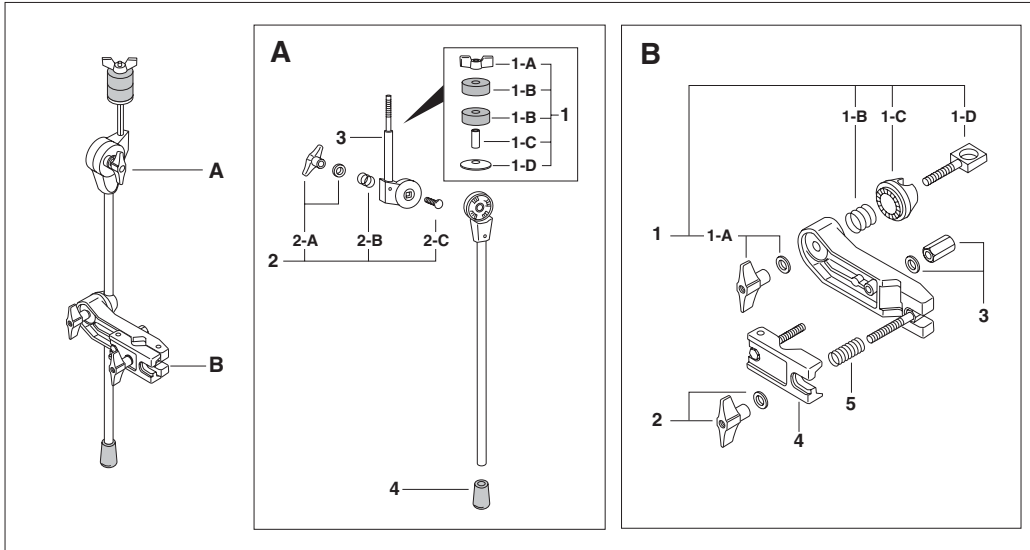
CH-80



- A PP-169ACN Boom Arm Assy. Complete**
- 1 FL-80AN Upper Tilter Section Complete
 - 1-A M-8W Die-Cast Wing Nut
 - 1-B FE-32 Felt Washer
 - 1-C NP-70 Plastic Sleeve
 - 1-D PR-135 Cup Washer
 - 2 SN-800A Bolt & Nut Set w/Spring
 - 2-A M-8BN Die-Cast Wing Nut w/Washer
 - 2-B SP-032 Spring
 - 2-C SC-36B Clamp Bolt
 - 3 SN-800N Tilter Unit
 - 4 SX-8 Stop Lock, Complete
 - 4-A KB-625 Key Bolt
 - 5 NP-71 Plastic Tip
- B TU-80A Tube Assy. Complete**
- 1 BC-800A Boom Clamp Assy. Complete
 - 1-A M-8AN Die-Cast Wing Nut w/Washer
 - 1-B SP-27N Spring
 - 1-C DC-371 Clamp Gear Link
 - 1-D BTL-85N Boom Clamp Bolt
 - 2 SX-2N Stop Lock, Complete
 - 2-A KB-630 Key Bolt
 - 3 NP-164 Plastic End Cap

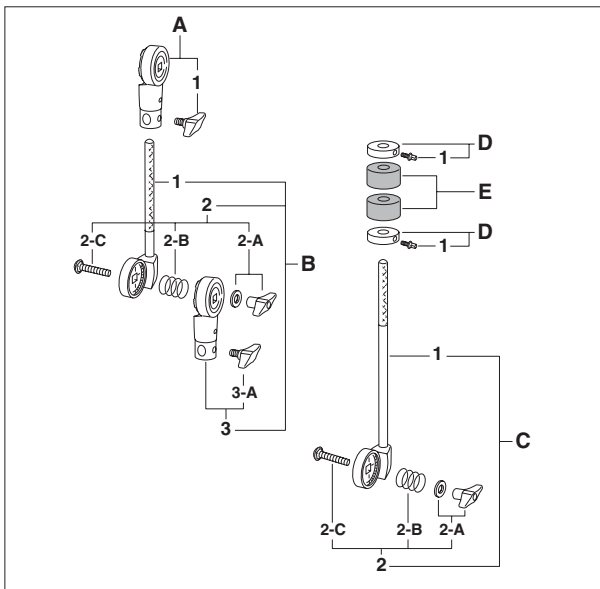
CYMBAL HOLDERS

CH-70



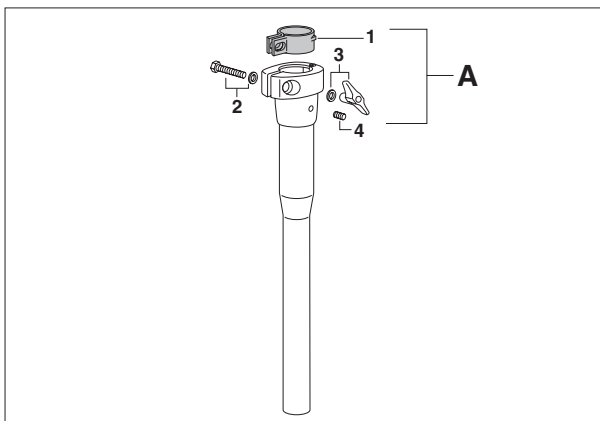
- | | | |
|----------|---------------|--------------------------------|
| A | B-75AN | Boom Arm Assy. Complete |
| 1 | FL-80AN | Upper Tilter Section Complete |
| 1-A | M-8W | Die-Cast Wing Nut |
| 1-B | FE-32 | Felt Washer |
| 1-C | NP-70 | Plastic Sleeve |
| 1-D | PR-135 | Cup Washer |
| 2 | SN-800A | Bolt & Nut Set w/Spring |
| 2-A | M-8BN | Die-Cast Wing Nut w/Washer |
| 2-B | SP-032 | Spring |
| 2-C | SC-33B | Clamp Bolt |
| 3 | SN-800N | Tilter Unit |
| 4 | NP-72 | Plastic Tip |
| B | CA-70A | Clamp Assy. Complete |
| 1 | BC-70AN | Boom Clamp Assy. Complete |
| 1-A | M-8BN | Die-Cast Wing Nut w/Washer |
| 1-B | SP-032 | Spring |
| 1-C | DC-335 | Clamp Gear Link |
| 1-D | ME-67 | Boom Clamp Bolt |
| 2 | M-8AN | Die-Cast Wing Nut w/Washer |
| 3 | M-8SW | Hexagonal Nut & Washer |
| 4 | DS-20B | Die-Cast Link w/Swivel Bolt |
| 5 | SP-26 | Spring |

CST-80



- | | | |
|----------|-----------------|---|
| A | DC-497A | Tilter Base Assy. |
| 1 | M-610N | Die-Cast Wing Bolt |
| B | TLCS-80S | Tilter Rod Assy. Complete, Short |
| 1 | ME-531SA | Tilter Rod, Short |
| 2 | SN-800A | Bolt & Nut Set w/Spring |
| 2-A | M-8BN | Die-Cast Wing Nut w/Washer |
| 2-B | SP-032 | Spring |
| 2-C | SC-36B | Clamp Bolt |
| 3 | DC-497A | Tilter Base Assy. |
| 3-A | M-610N | Die-Cast Wing Bolt |
| C | TLCS-80L | Tilter Rod Assy. Complete, Long |
| 1 | ME-531LA | Tilter Rod, Long |
| 2 | SN-800A | Bolt & Nut Set w/Spring |
| 2-A | M-8BN | Die-Cast Wing Nut w/Washer |
| 2-B | SP-032 | Spring |
| 2-C | SC-36B | Clamp Bolt |
| D | ME-532A | Lock Spacer, Complete |
| 1 | KB-615 | Key Bolt |
| E | FE-32 | Felt Washer |

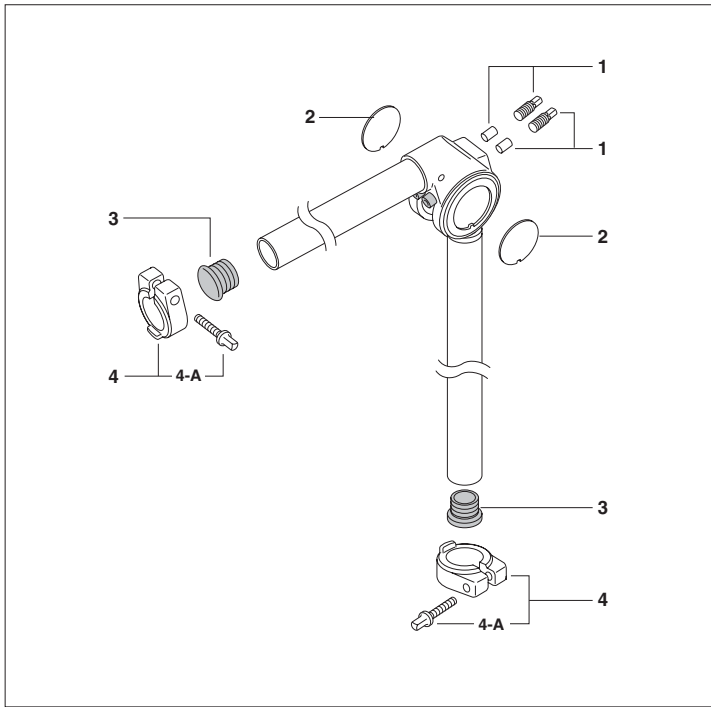
TX-80 Tube Extender



- | | | |
|----------|---------------|--------------------------------------|
| A | DJ-70A | Die-Cast Joint Assy. Complete |
| 1 | NB-7N | Nylon Bushing |
| 2 | SN-635 | Clamp Bolt w/Washer |
| 3 | M-6N | Die-Cast Wing Nut w/Washer |
| 4 | SB-44 | Allen Screw |

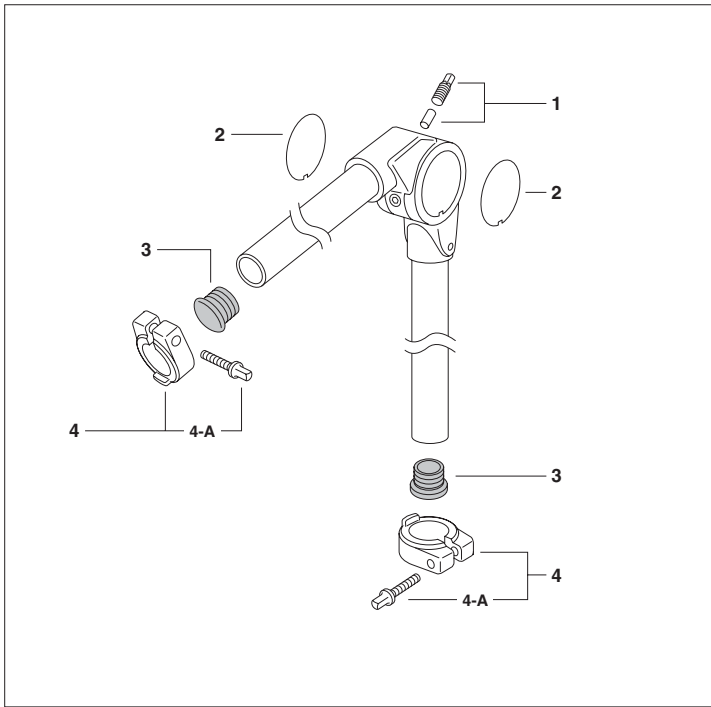
TOM HOLDERS

TH-100/100S/100I



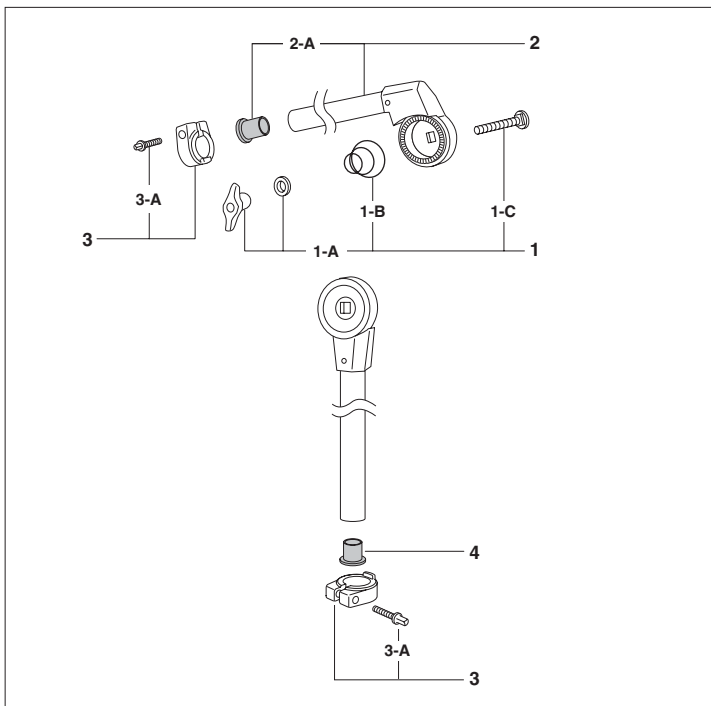
- 1 KB-814P Key Bolt w/Pin (one each)
- 2 TP-100 Logo Plate (one each)
- 3 NP-164 Plastic End Cap (one each)
- 4 SX-2N Stop Lock Complete (one set)
- 4-A KB-630 Key Bolt (one each)

TH-98/98S/98I



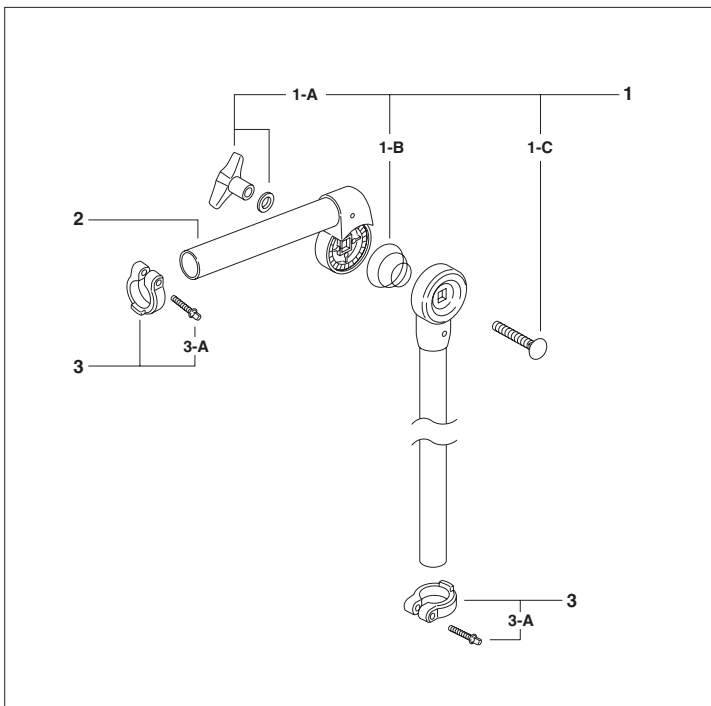
- 1 KB-821P Key Bolt w/Pin
- 2 TP-98 Logo Plate (one each)
- 3 NP-164 Plastic End Cap (one each)
- 4 SX-2N Stop Lock Complete (one set)
- 4-A KB-630 Key Bolt (one each)

TH-88/88S/88I



- 1 SN-85A Clamp Bolt Set
- 1-A M-8AN Die-Cast Wing Nut w/Washer
- 1-B SP-27N Spring
- 1-C SC-36B Clamp Bolt
- 2 TO-88A Tom Holder Arm w/Plastic End Cap
- 2-A NP-164 Plastic End Cap
- 3 SX-2N Stop Lock Complete (one set)
- 3-A KB-630 Key Bolt (one each)
- 4 NP-164 Plastic End Cap

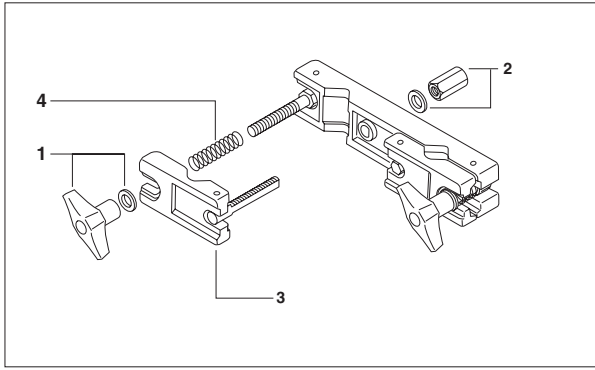
TH-70



- 1 SN-85A Clamp Bolt Set
- 1-A M-8AN Die-Cast Wing Nut w/Washer
- 1-B SP-27N Spring
- 1-C SC-36B Clamp Bolt
- 2 TO-07 Tom Holder Arm ONLY
- 3 SX-70 Stop Lock Complete (one set)
- 3-A KB-625 Key Bolt (one each)

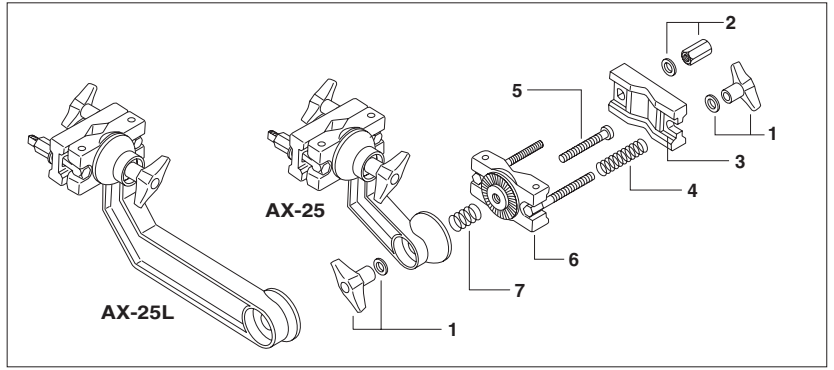
ADAPTERS

AX-20



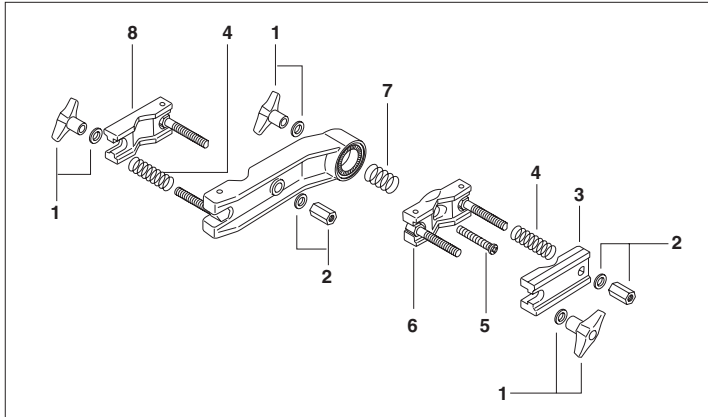
- | | | |
|---|--------|-----------------------------|
| 1 | M-8AN | Die-Cast Wing Nut w/Washer |
| 2 | M-8SW | Hexagonal Nut w/Washer |
| 3 | DS-20B | Die-Cast Link w/Swivel Bolt |
| 4 | SP-26 | Spring |

AX-25/AX-25L



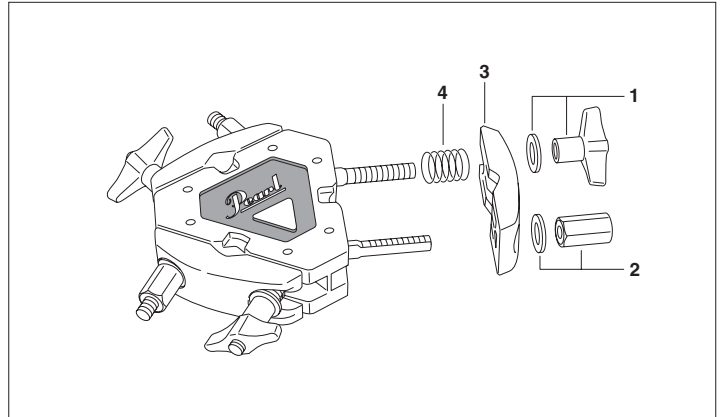
- | | | |
|---|--------|--------------------------------------|
| 1 | M-8AN | Die-Cast Wing Nut w/Washer (one set) |
| 2 | M-8SW | Hexagonal Nut w/Washer |
| 3 | DC-182 | Die-Cast Link |
| 4 | SP-26 | Spring |
| 5 | SC-114 | Center Bolt |
| 6 | DS-25A | Die-Cast Gear Link w/Swivel Bolts |
| 7 | SP-36 | Spring |

AX-28



- | | | |
|---|--------|-----------------------------------|
| 1 | M-8AN | Die-Cast Wing Nut w/Washer |
| 2 | M-8SW | Hexagonal Nut w/Washer |
| 3 | DC-182 | Die-Cast Link |
| 4 | SP-26 | Spring |
| 5 | SC-114 | Center Bolt |
| 6 | DS-25A | Die-Cast Gear Link w/Swivel Bolts |
| 7 | SP-36 | Spring |
| 8 | DS-20A | Die-Cast Gear Link w/Swivel Bolt |

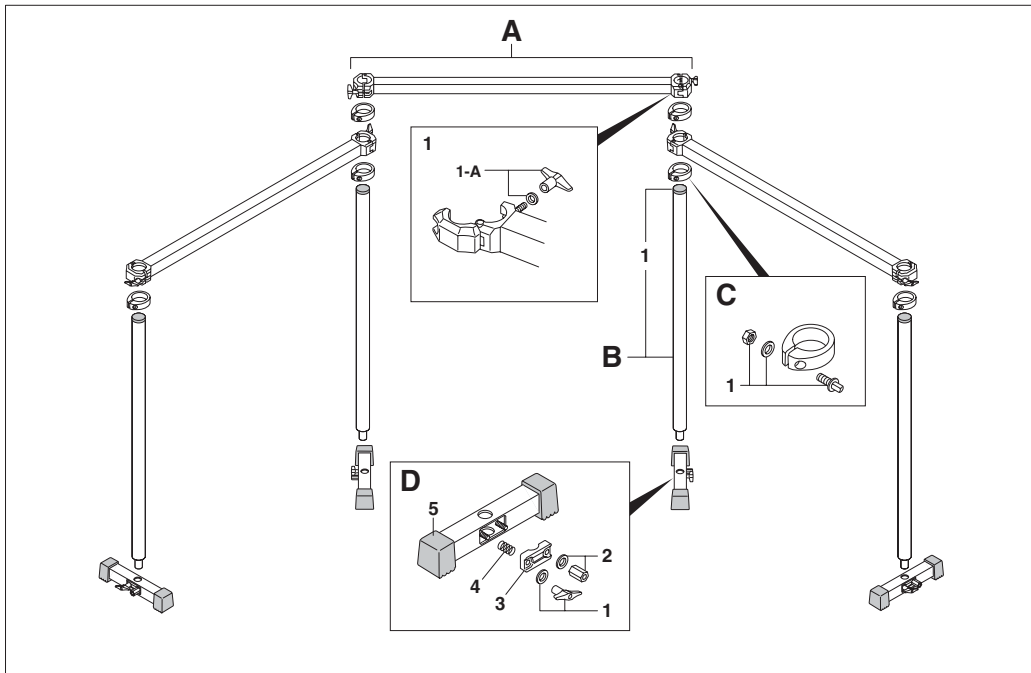
AX-38



- | | | |
|---|--------|----------------------------|
| 1 | M-8AN | Die-Cast Wing Nut w/Washer |
| 2 | M-8SW | Hexagonal Nut w/Washer |
| 3 | DC-538 | Die-Cast Link ONLY |
| 4 | SP-26 | Spring |

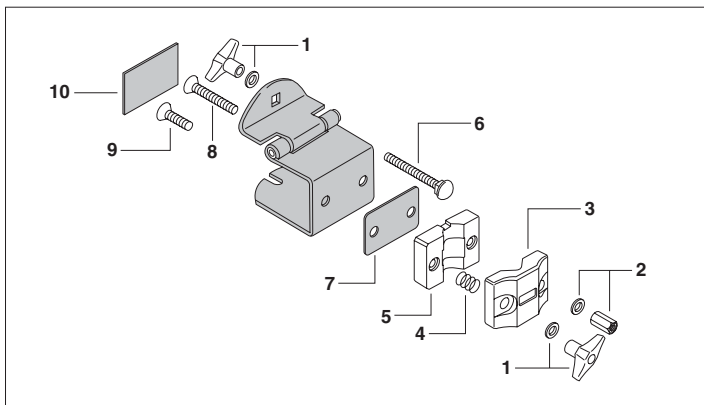
DRUM RACKS, PIPE CLAMPS, RACK JOINT

DR-500 / 500L / 500E



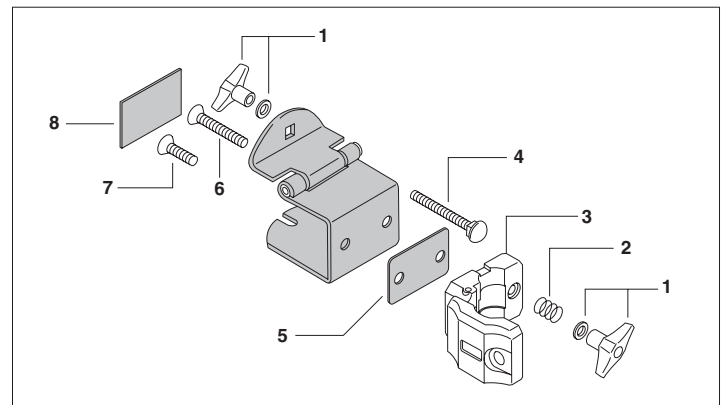
- A AL-18A Rack Bar Complete**
- 1 DC-424A Die-Cast Clamp Assy. Complete
- 1-A M-8AN Die-Cast Wing Nut w/Washer
- B PP-176A Steel Leg**
- 1 NP-338 Plastic Cap
- C DC-426A Stop Lock, Complete**
- 1 KB-625A Key Bolt w/Washer & Hexagonal Nut
- D PP-189A Floor Bar Assy. Complete**
- 1 M-8AN Die-Cast Wing Nut w/Washer
- 2 M-8SW Hexagonal Nut w/Washer
- 3 DC-366 Die-Cast Link
- 4 SP-45 Spring
- 5 NP-188 Rubber Floot

PC-10



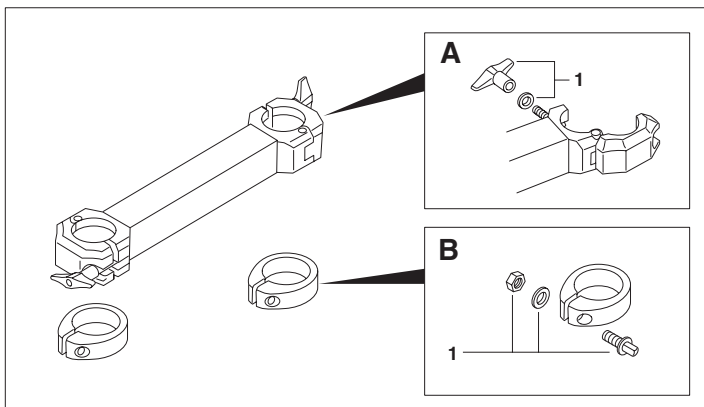
- 1 M-8AN Die-Cast Wing Nut w/Washer
- 2 M-8SW Hexagonal Nut & Washer
- 3 DC-284N Die-Cast Link
- 4 SP-45 Spring
- 5 DC-283N Die-Cast Link
- 6 SC-34 Carriage Bolt
- 7 GA-45 Gasket
- 8 SC-850 Clamp Bolt, Long
- 9 SC-279 Clamp Bolt, short
- 10 GA-43 Gasket

PC-50



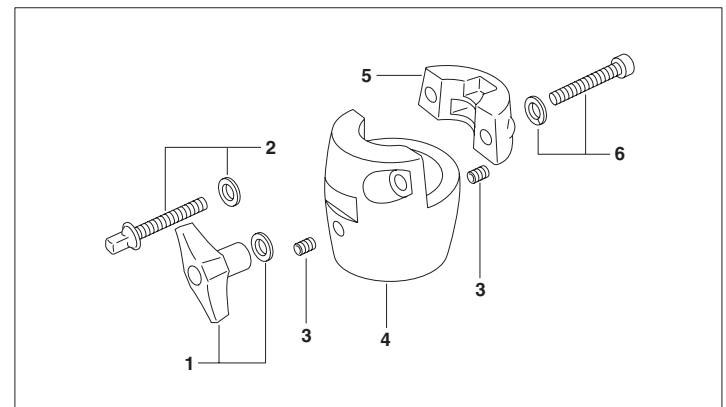
- 1 M-8AN Die-Cast Wing Nut w/Washer
- 2 SP-45S Spring
- 3 DC-422A Hinged Clamp ONLY
- 4 SC-34 Carriage Bolt
- 5 GA-45 Gasket
- 6 SC-850 Clamp Bolt, Long
- 7 SC-279 Clamp Bolt, short
- 8 GA-43 Gasket

RJ-50 Rack Joint



- A DC-424A Die-Cast Clamp Assy. Complete**
- 1 M-8AN Die-Cast Wing Nut w/Washer
- B DC-426A Stop Lock, Complete**
- 1 KB-625A Key Bolt w/Washer & Hexagonal Nut

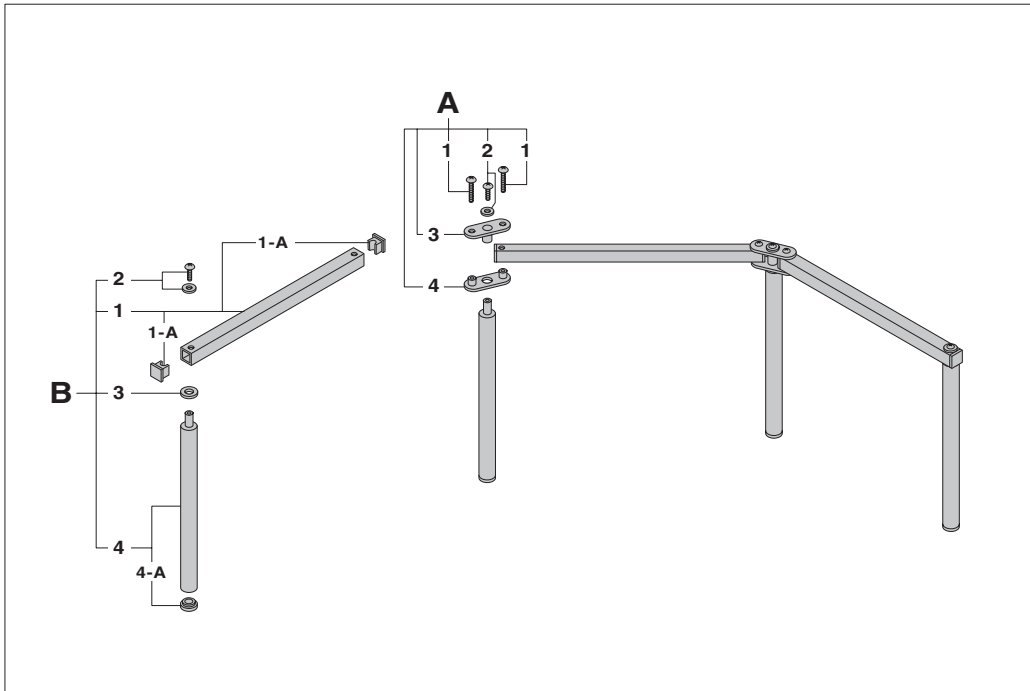
PCL-100



- 1 M-6N Wing Nut w/Washer
- 2 SC-57W Key Bolt w/Washer
- 3 SB-66 Allen Screw
- 4 DC-544 Pipe Bracket
- 5 DC-545 Clamp Bracket
- 6 SC-341W Bolt w/Washer

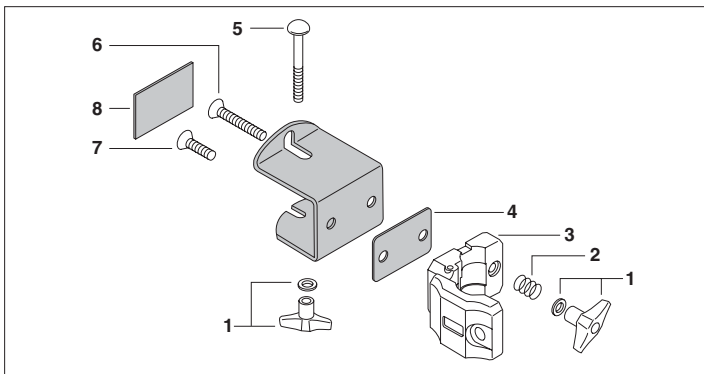
DRUM RACKS, PIPE CLAMPS

DR-80



- | | | |
|----------|---------------|--------------------------------|
| A | DR-JC1 | Joint Assy. Complete |
| 1 | SC-204 | Bolt (Long) (one each) |
| 2 | SC-205 | Bolt w/Washer (Short) |
| 3 | LKP-7 | Upper Link Plate w/Leg Bracket |
| 4 | LKP-4 | Lower Link Plate w/Nuts |
| B | DR-008 | Expansion Unit Complete |
| 1 | AL-13 | Bar w/End Caps |
| 1-A | NP-162 | End Caps (one each) |
| 2 | SC-205 | Bolt w/Washer (Short) |
| 3 | PR-282 | Leg Spacer |
| 4 | 120N | Leg w/Leg Cap |
| 4-A | NP-163 | Leg Cap |

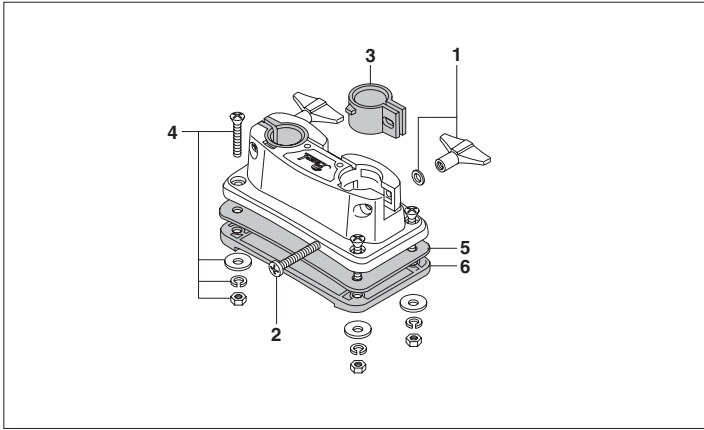
PC-8



- | | | | | | |
|---|---------|----------------------------|---|--------|-------------------|
| 1 | M-8AN | Die-Cast Wing Nut w/Washer | 5 | SC-160 | Carriage Bolt |
| 2 | SP-45S | Spring | 6 | SC-850 | Clamp Bolt, Long |
| 3 | DC-422A | Hinged Clamp ONLY | 7 | SC-279 | Clamp Bolt, short |
| 4 | GA-45 | Gasket | 8 | GA-43 | Gasket |

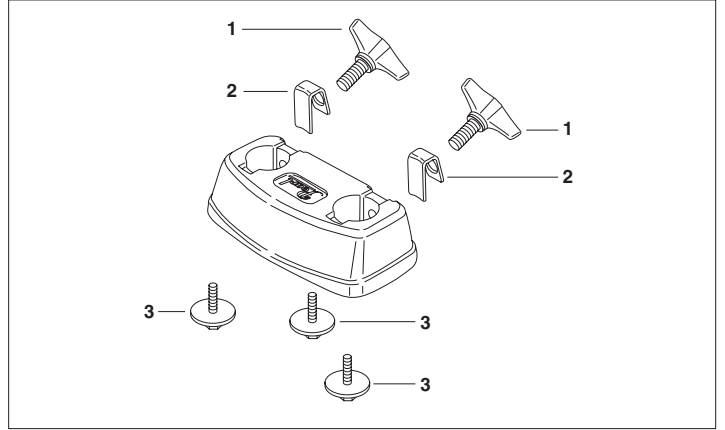
TOM HOLDER BASSES, BRACKETS

BB-3



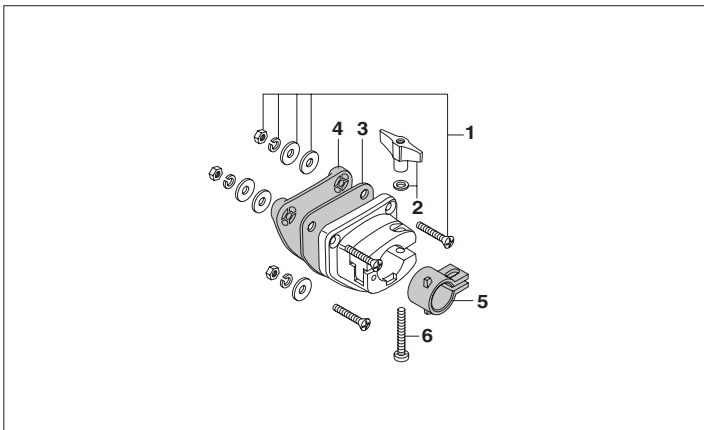
- | | | | | | |
|---|--------|---|---|---------|---------------|
| 1 | M-6N | Die-Cast Wing Nut w/Washer (one set) | 5 | NP-259P | Rubber Gasket |
| 2 | SC-640 | Clamp Bolt (one each) | 6 | NP-185 | Set Plate |
| 3 | NB-7N | Nylon Bushing (one each) | | | |
| 4 | B-MS | Mounting Screw, Washers & Nut (one set) | | | |

BB-70



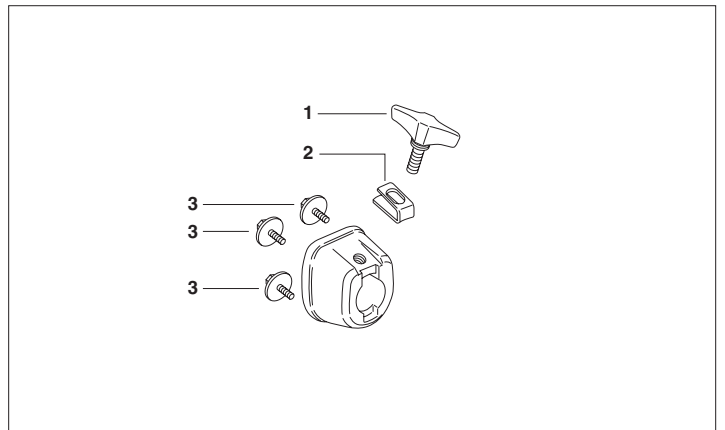
- | | | |
|---|--------|-----------------------------------|
| 1 | M-815N | Die-Cast Wing Bolt (one each) |
| 2 | PR-618 | Steel Bracket (one each) |
| 3 | SC-233 | Mounting Screw w/Washer (one set) |

BT-3



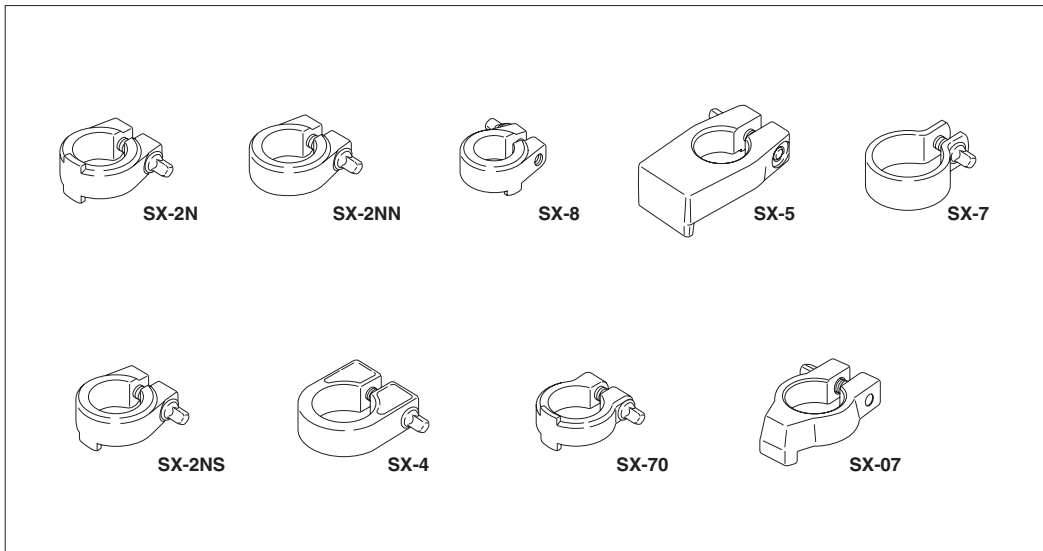
- | | | | | | |
|---|-------|---|---|--------|---------------|
| 1 | T-MS | Mounting Screw, Washers & Nut (one set) | 4 | NP-186 | Set Plate |
| 2 | M-6N | Die-Cast Wing Nut w/Washer | 5 | NB-7N | Nylon Bushing |
| 3 | GK-36 | Gasket | 6 | SC-640 | Clamp Bolt |

BT-70



- | | | |
|---|--------|-----------------------------------|
| 1 | M-815N | Die-Cast Wing Bolt |
| 2 | PR-618 | Steel Bracket |
| 3 | SC-234 | Mounting Screw w/Washer (one set) |

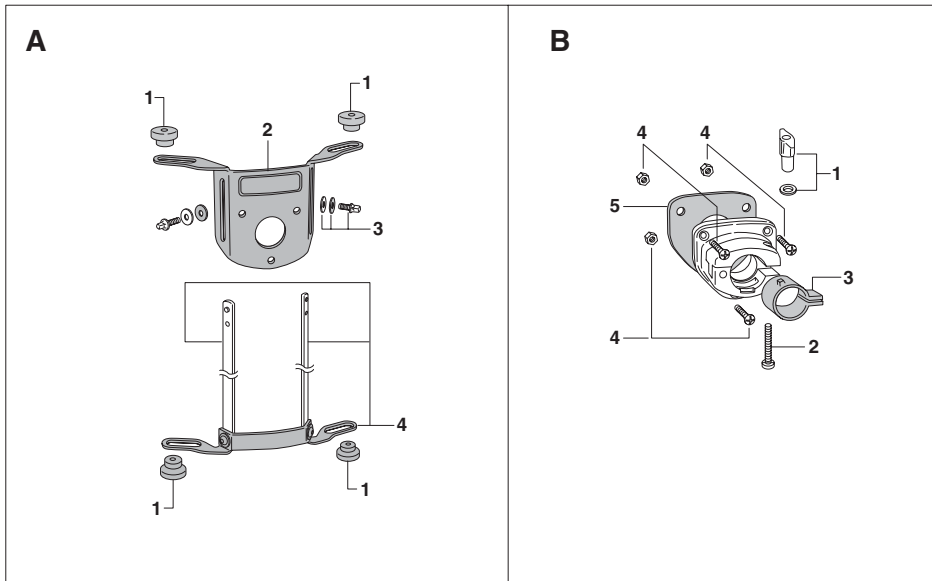
Stop Locks



Number	Application
SX-2N	T-980W, T-900W, T-800W, TH-100, TH-100S, TH-100I, TH-98, TH-98S, TH-98I, TH-88, TH-88S, TH-88I, CH-88, CH-88L, CH-80
SN-2NS	T-980W, T-900W, T-800W
SX-2NN	H-985W, H-800W
SX-4	H-2000, H-885, H-855
SX-5	D-80, D-75
SX-7	D-80, D-70W, D-75
SX-8	B-855WL, B-855W, B-855, B-800W, CH-88, CH-88L, CH-80
SX-07	D-70W
SX-70	TH-70

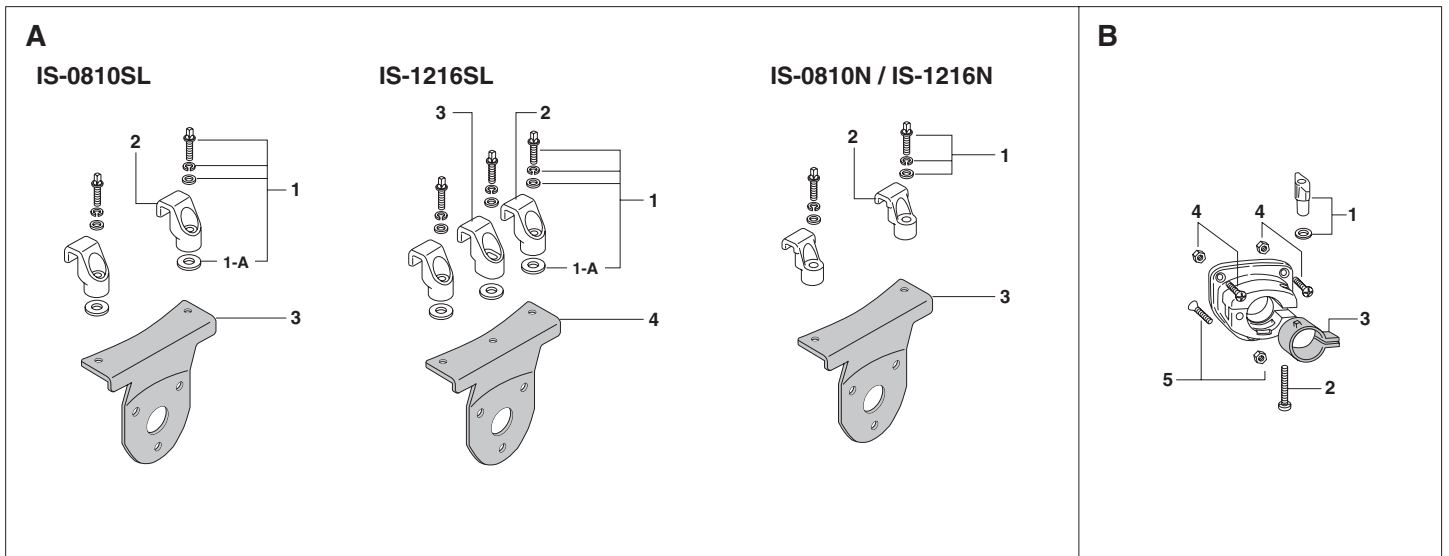
OPTIMOUNT, I.S.S.

Optimount Suspension System



- | | | |
|----------|-----------------|---|
| A | OPT-78 | Optimount w/o BT-3 (for OPT-0708) |
| | OPT-91 | Optimount w/o BT-3 (for OPT-0910) |
| | OPT-112 | Optimount w/o BT-3 (for OPT-1112) |
| | OPT-134 | Optimount w/o BT-3 (for OPT-1314) |
| | OPT-156 | Optimount w/o BT-3 (for OPT-1516) |
| 1 | NP-265 | Rubber Grommet |
| 2 | PR-528 | Bracket Mounting Plate ONLY |
| 3 | KB-615W | Key Bolt w/Washers (one each) |
| 4 | PR-529A | Lower Mounting Plate Assy. * (for OPT-0708) |
| | PR-530A | Lower Mounting Plate Assy. * (for OPT-0910) |
| | PR-531A | Lower Mounting Plate Assy. * (for OPT-1112) |
| | PR-532A | Lower Mounting Plate Assy. * (for OPT-1314) |
| | PR-537A | Lower Mounting Plate Assy. * (for OPT-1516) |
| | | (one set) |
| | | * (Includes Lower Mounting Plate and 1pr. connecting struts ONLY) |
| B | BT-3-OPT | Mounting Bracket |
| 1 | M-6N | Die-Cast Wing Nut w/Washer |
| 2 | SC-640 | Clamp Bolt |
| 3 | NB-7N | Nylon Bushing |
| 4 | IS-MS | Mounting Screw & Nut (one set) |
| 5 | NP-260P | Rubber Gasket |

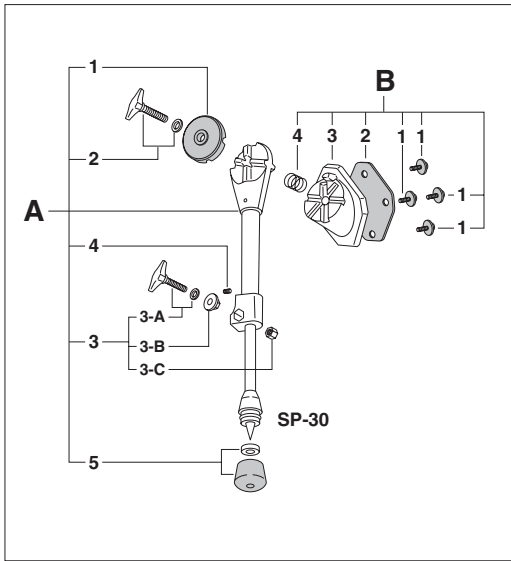
Integrated Suspension System (I.S.S.)



- | | | | | | |
|----------|------------------|--|----------|-----------------|--|
| A | IS-0810SL | I.S.S. for 8"-10" 2.3mm Super Hoop | A | IS-0810N | I.S.S. for 8"-10" 1.6mm Regular Hoop |
| 1 | KB-625WN | Key Bolt w/Washers (one set) | 1 | KB-625WN | Key Bolt w/Washers (one set) |
| 1-A | WS-5A | Washer ONLY (one each) | 2 | DC-472 | Rim Hook (one each) |
| 2 | DC-385 | Rim Hook (one each) | 3 | PR-347N | Bracket Mounting Plate |
| 3 | PR-347N | Bracket Mounting Plate | A | IS-1216N | I.S.S. for 12"-16" 1.6mm Regular Hoop |
| A | IS-1216SL | I.S.S. for 12"-16" 2.3mm Super Hoop | 1 | KB-625WN | Key Bolt w/Washers (one set) |
| 1 | KB-625WN | Key Bolt w/Washers (one set) | 2 | DC-472 | Rim Hook (one each) |
| 1-A | WS-5A | Washer ONLY (one each) | 3 | PR-346N | Bracket Mounting Plate |
| 2 | DC-385 | Rim Hook Outside (one each) | B | BT-3-ISS | Mounting Bracket (for I.S.S.) |
| 3 | DC-386 | Rim Hook Middle | 1 | M-6N | Die-Cast Wing Nut w/Washer |
| 4 | PR-346 | Bracket Mounting Plate | 2 | SC-640 | Clamp Bolt |
| B | BT-3-ISS | Mounting Bracket (for I.S.S.) | 3 | NB-7N | Nylon Bushing |
| 1 | M-6N | Die-Cast Wing Nut w/Washer | 4 | IS-MS | Upper Bolt & Nut Complete (one set) |
| 2 | SC-640 | Clamp Bolt | 5 | IS-MSL | Bottom Bolt & Nut Complete |
| 3 | NB-7N | Nylon Bushing | | | |
| 4 | IS-MS | Upper Bolt & Nut Complete (one set) | | | |
| 5 | IS-MSL | Bottom Bolt & Nut Complete | | | |

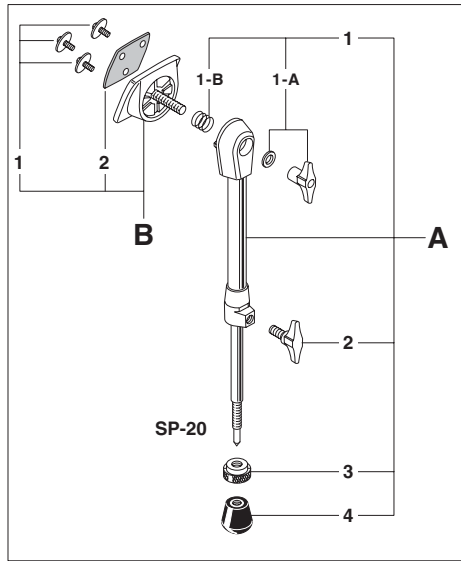
BASS DRUM SPURS

SP-30



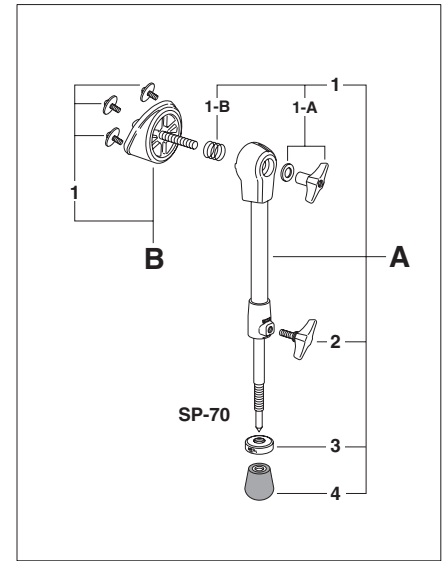
- A SP-30A Spur Assy. Complete**
- 1 SP-30C Outer Cap
 - 2 M-835N Die-Cast Wing Bolt w/Washer
 - 3 SP-30D Die-Cast Wing Bolt Set
 - 3-A M-628N Die-Cast Wing Bolt w/Washer
 - 3-B DC-91 Hexagonal Washer
 - 3-C ME-89 Hexagonal Nut
 - 4 SB-55 Allen Screw
 - 5 R-30A Rubber Tip w/Washer
- B SP-30E Spur Bracket Complete**
- 1 SM-512B Mounting Screw w/Washer (one each)
 - 2 NP-244P Rubber Gasket
 - 3 DC-88 Spur Bracket ONLY
 - 4 SP-020 Spring

SP-20



- A SP-20A Spur Assy. Complete**
- 1 SP-20B Die-Cast Wing Nut w/Washer and Spring
 - 1-A M-8AN Die-Cast Wing Nut w/Washer
 - 1-B SP-54 Spring
 - 2 M-815N Die-Cast Wing Bolt
 - 3 RHA-1T Lock Nut
 - 4 RHS-1R Rubber Tip
- B SPB-20A Spur Bracket Complete**
- 1 SM-512 Mounting Screw w/Washer (one each)
 - 2 NP-332P Rubber Gasket (one each)

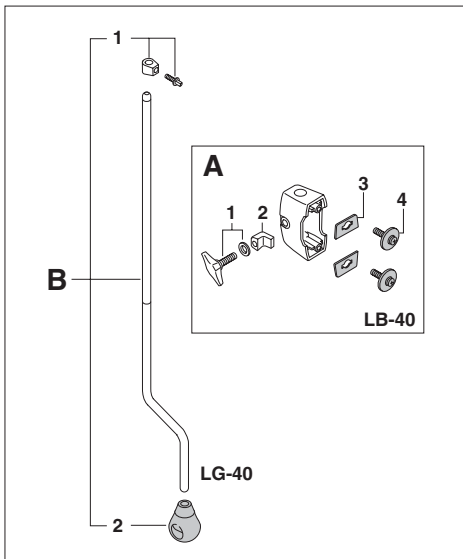
SP-70



- A SP-70A Spur Assy. Complete**
- 1 SP-20B Die-Cast Wing Nut w/Washer & Spring
 - 1-A M-8AN Die-Cast Wing Nut w/Washer
 - 1-B SP-54 Spring
 - 2 M-610N Die-Cast Wing Bolt
 - 3 RHA-1T Lock Nut
 - 4 RHS-1R Rubber Tip
- B SPB-70A Spur Bracket Complete**
- 1 S-BA Mounting Screw w/Washer (one each)

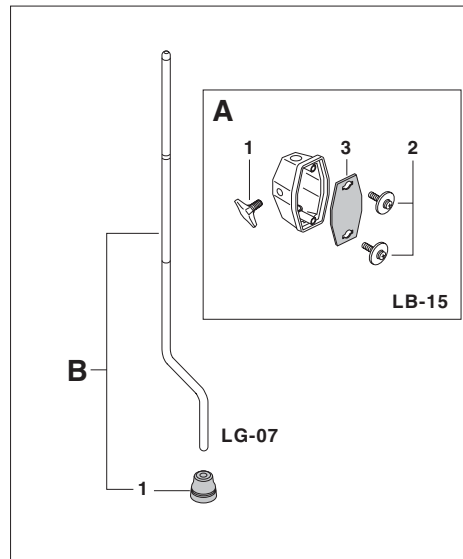
FLOOR TOM LEG BRACKETS & LEGS

LB-40/LG-40



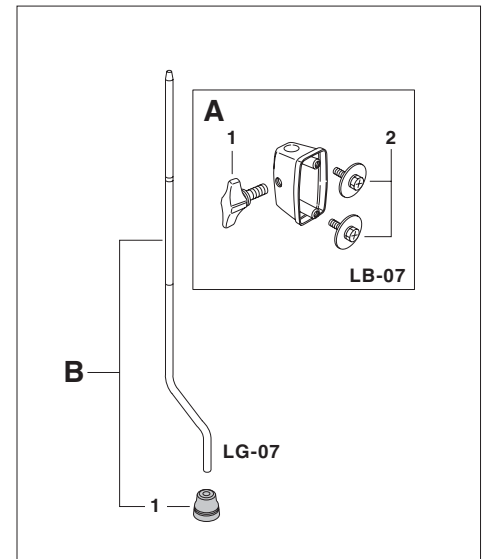
- A LB-40 Floor Tom Leg Bracket Assy. Complete**
- 1 M-615N Die-Cast Wing Bolt w/Washer
 - 2 DC-337 Lock Nut
 - 3 NP-245P Rubber Gasket
 - 4 SM-512B Mounting Screw w/Washer (one each)
- B LG-40 Floor Tom Leg Complete w/Stop Lock & Rubber Feet**
- 1 LG-04S Stop Lock Complete
 - 2 R-40 Air Suspension Rubber Tip

LB-15/LG-07



- A LB-15 Floor Tom Leg Bracket Assy. Complete**
- 1 M-820N Die-Cast Wing Bolt
 - 2 SM-514 Mounting Screw w/Washer (one each)
 - 3 NP-341P Rubber Gasket
- B LG-07 Floor Tom Leg Complete w/Rubber Tip**
- 1 R-5 Rubber Tip

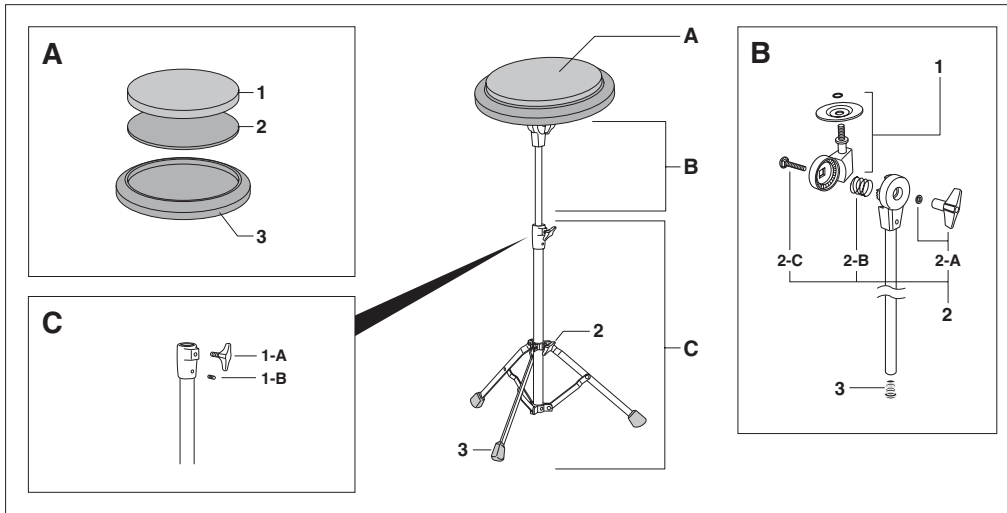
LB-07/LG-07



- A LB-07 Floor Tom Leg Bracket Assy. Complete**
- 1 M-815N Die-Cast Wing Bolt
 - 2 LBS-3S Mounting Screw w/Washer (one each)
- B LG-07 Floor Tom Leg, Complete w/ Rubber Tip**
- 1 R-5 Rubber Tip

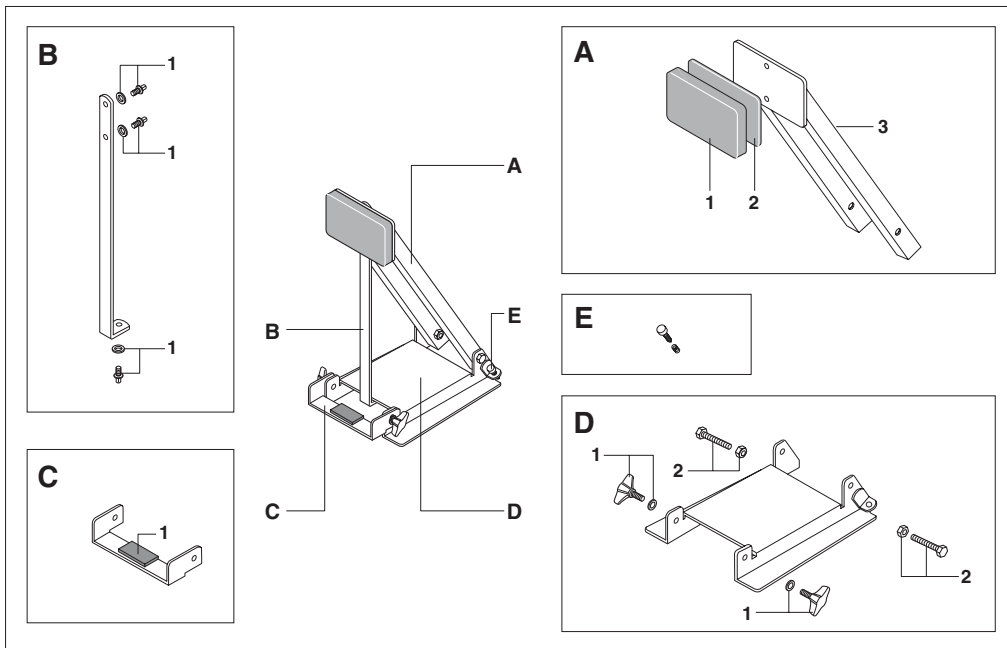
PRACTICE PADS

SD-50



- A PAD-80 Practice Pad Complete**
 1 NP-202 Rubber Pad
 2 NP-202N Rubber Cushion
 3 NP-203 Base
- B SDU-5A Upper Tube Assy. Complete**
 1 TL-70RDN Tilter w/Washer & Rubber O-Ring
 2 SN-70A Bolt & Nut Set w/Spring
 2-A M-8AN Die-Cast Wing Nut w/Washer
 2-B SP-17 Spring
 2-C SC-33 Clamp Bolt
 3 NP-212 Plastic End Cap
- C BA-50SS Base Assy. Complete**
 1 DJ-40A Die-Cast Joint Assy. Complete
 1-A M-815N Wing Nut w/Washer
 1-B SB-44 Allen Screw
 2 M-815N Die-Cast Wing Bolt
 3 NP-12 Rubber Tip

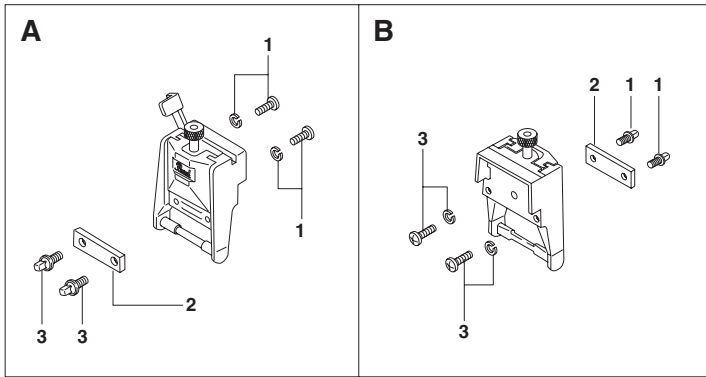
BD-10



- A DP-10 Pad Assy. Complete**
 1 NP-201 Rubber Pad
 2 NP-201N Rubber Cushion
 3 NP-203 Base
- B BSB-10 Supporting Bar Assy. Complete**
 1 KB-610W Key Bolt w/Washer (one each)
- C CP-10 Clamp Plate Complete**
 1 NP-140 Rubber Protector
- D BFP-10 Floor Plate Assy. Complete**
 1 M-610W Die-Cast Wing Bolt w/Washer (one each)
 2 SC-144A Mounting Screw w/Nut (one each)
- E LT-636 Anchor Bolt w/Spring**

STRAINERS

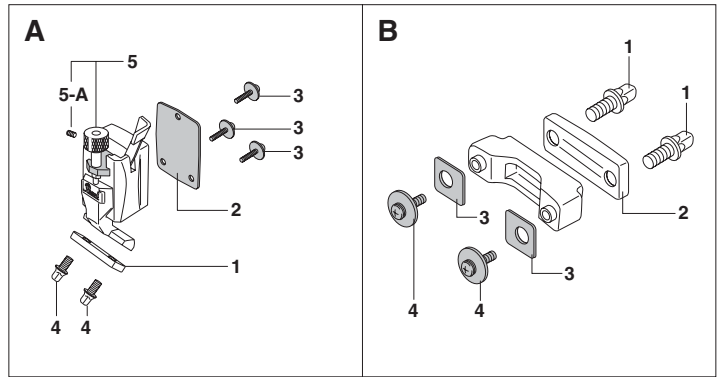
SR-010



- A SR-10A Release Side Assy. Complete**
 1 SN-612 Mounting Screw w/Washer (one set)
 2 SR-16C Snare Mounting Plate
 3 KB-508 Key Bolt (one each)

- B SR-10B Butt Side Assy. Complete**
 1 KB-508 Key Bolt (one each)
 2 SR-16C Snare Mounting Plate
 3 SN-612 Mounting Screw w/Washer (one set)

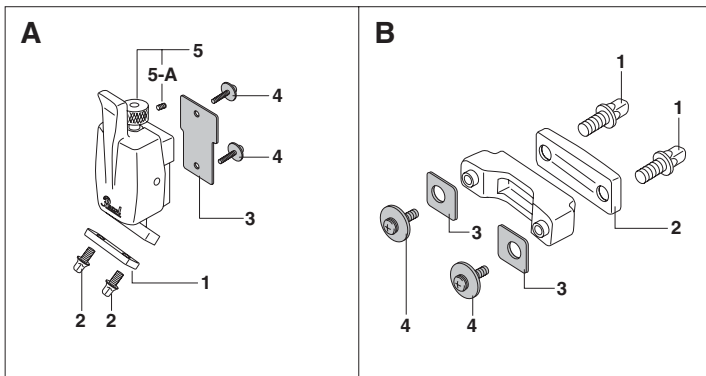
SR-012/012G



- A SR-12A Release Side Assy. Complete**
 1 SR-12D Snare Mounting Plate
 2 NP-329P Rubber Gasket
 3 SM-414B Mounting Screw w/Washer (for 4 ply shell)
 SM-416B Mounting Screw w/Washer (for 6 ply shell)
 SM-409 Mounting Screw w/Washer (for Metal shell)
 4 KB-508 Key Bolt (one each)
 5 ME-226A Adjustment Bolt, Complete
 5-A SB-44 Allen Screw

- B SR-18E Butt Side Assy. Complete**
 1 KB-508 Key Bolt (one each)
 2 SR-12D Snare Mounting Plate
 3 NP-251P Rubber Gasket (one each)
 4 SM-411B Mounting Screw w/Washer (for 4 ply shell)
 SM-414B Mounting Screw w/Washer (for 6 ply shell)
 SM-411C Mounting Screw w/Washer (for Metal shell)

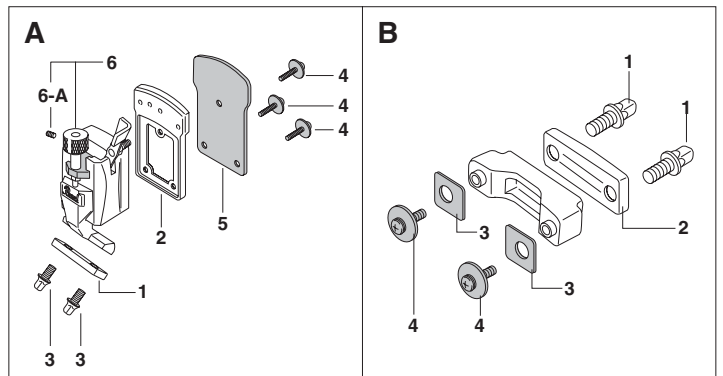
SR-015/015G



- A SR-15A Release Side Assy. Complete**
 1 SR-12D Snare Mounting Plate
 2 KB-508 Key Bolt (one each)
 3 NP-248P Rubber Gasket
 4 SM-414B Mounting Screw w/Washer (for 4 ply shell)
 SM-416B Mounting Screw w/Washer (for 6 ply shell)
 SM-418B Mounting Screw w/Washer (for 8 ply shell)
 SM-409 Mounting Screw w/Washer (for Metal shell)
 5 ME-376A Adjustment Bolt, Complete
 5-A SB-44 Allen Screw

- B SR-18E Butt Side Assy. Complete**
 1 KB-508 Key Bolt (one each)
 2 SR-12D Snare Mounting Plate
 3 GK-18SB Gasket (one each)
 4 SM-411B Mounting Screw w/Washer (for 4 ply shell)
 SM-414B Mounting Screw w/Washer (for 6 ply shell)
 SM-416B Mounting Screw w/Washer (for 8 ply shell)
 SM-411C Mounting Screw w/Washer (for Metal shell)

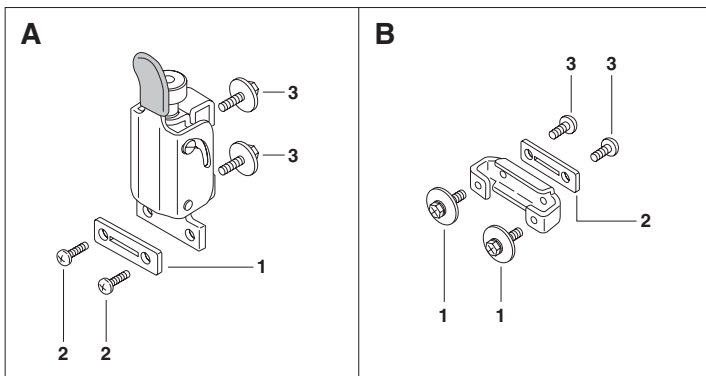
SR-020/020G



- A SR-20A Release Side Assy. Complete**
 1 SR-12D Snare Mounting Plate
 2 DC-408 Trace Plate
 3 KB-508 Key Bolt (one each)
 4 SM-418B Mounting Screw w/Washer (one each)
 5 NP-328P Rubber Gasket
 6 ME-226A Adjustment Bolt, Complete
 6-A SB-44 Allen Screw

- B SR-18E Butt Side Assy. Complete**
 1 KB-508 Key Bolt (one each)
 2 SR-12D Snare Mounting Plate
 3 NP-251P Rubber Gasket (one each)
 4 SM-411B Mounting Screw w/Washer

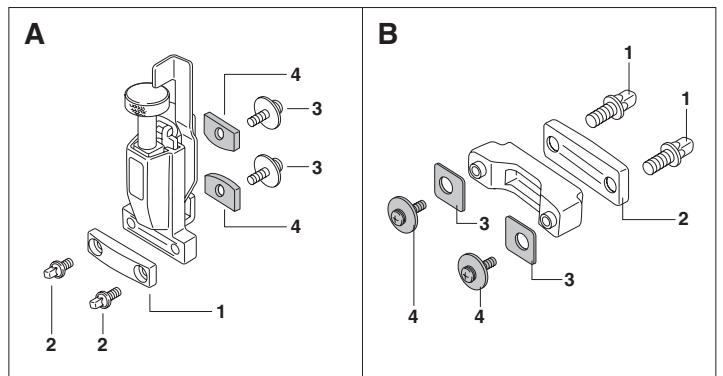
SR-013



- A SR-13A Release Side Assy. Complete**
 1 PR-621 Snare Mounting Plate
 2 SC-7C Screw (one each)
 3 SM-416 Mounting Screw w/Washer (one set)

- B SR-13E Butt Side Assy. Complete**
 1 SM-416 Mounting Screw w/Washer (one set)
 2 PR-621 Snare Mounting Plate
 3 SC-7C Screw (one each)

SR-014N

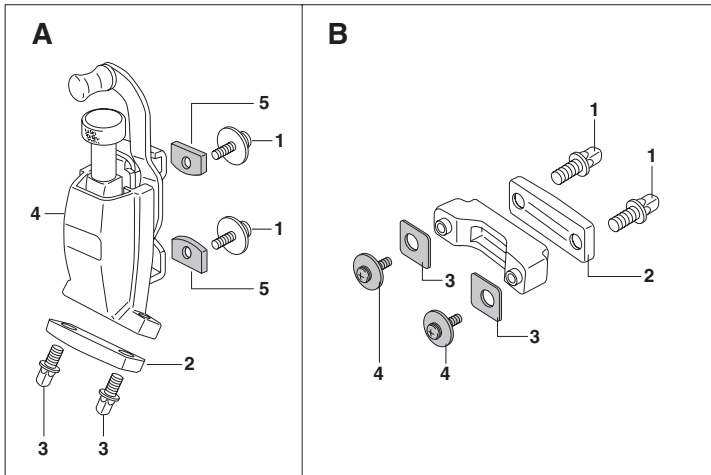


- A SR-14A Release Side Assy. Complete**
 1 SR-12D Snare Mounting Plate
 2 KB-508 Key Bolt (one each)
 3 SM-514 Mounting Screw w/Washer (for 6 ply shell)
 SM-509 Mounting Screw w/Washer (for Metal shell)
 4 NP-326P Rubber Gasket (one each)

- B SR-18E Butt Side Assy. Complete**
 1 KB-508 Key Bolt (one each)
 2 SR-12D Snare Mounting Plate
 3 NP-251P Rubber Gasket (one each)
 4 SM-414B Mounting Screw w/Washer (for 6 ply shell)
 SM-411C Mounting Screw w/Washer (for Metal shell)

STRAINERS

SR-017



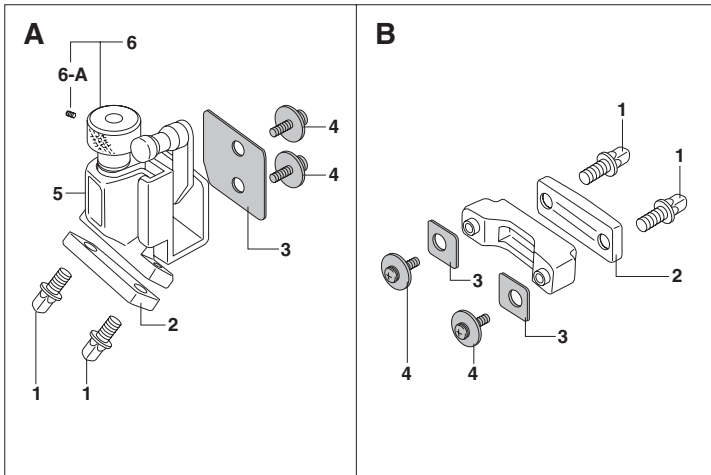
A SR-17A Release Side Assy. Complete

- 1 SM-513B Mounting Screw w/Washer (for 6 ply shell)
- SM-520B Mounting Screw w/Washer (for 10 ply shell)
- SM-507 Mounting Screw w/Washer (for Metal shell)
- SM-510 Mounting Screw w/Washer (for UCA Snare Drum)
- 2 SR-12D Snare Mounting Plate
- 3 KB-508 Key Bolt (one each)
- 4 DC-440 Strainer Cover
- 5 NP-249P Rubber Gasket (one each)

B SR-18E Butt Side Assy. Complete

- 1 KB-508 Key Bolt (one each)
- 2 SR-12D Snare Mounting Plate
- 3 NP-251P Rubber Gasket (one each)
- 4 SM-414B Mounting Screw w/Washer (for 6 ply shell)
- SM-420B Mounting Screw w/Washer (for 10 ply shell)
- SM-411C Mounting Screw w/Washer (for Metal shell)
- SM-409 Mounting Screw w/Washer (for UCA Snare Drum)

SR-018



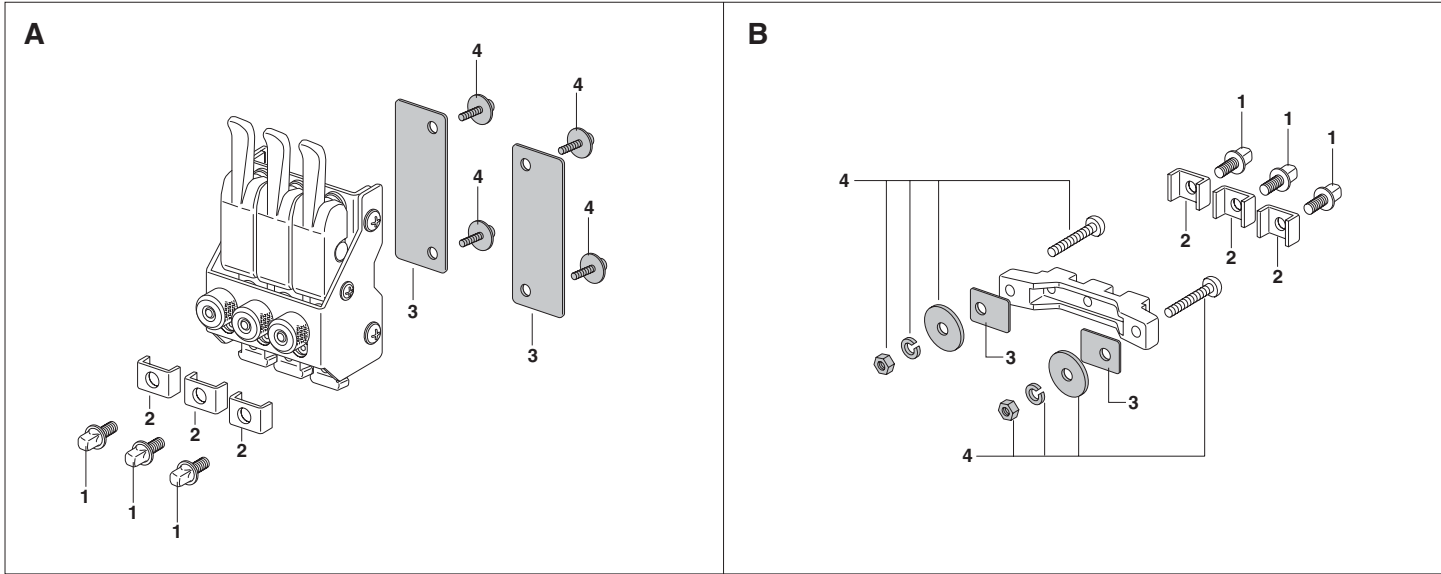
A SR-18A Release Side Assy. Complete

- 1 KB-508 Key Bolt (one each)
- 2 SR-12D Snare Mounting Plate
- 3 NP-250P Rubber Gasket
- 4 SM-414B Mounting Screw w/Washer (for 6 ply shell)
- SM-416B Mounting Screw w/Washer (for 8 ply shell)
- SM-411C Mounting Screw w/Washer (for Metal shell)
- 5 DC-457 Strainer Cover
- 6 ME-454A Adjustment Bolt, Complete
- 6-A SB-44 Allen Screw

B SR-18E Butt Side Assy. Complete

- 1 KB-508 Key Bolt (one each)
- 2 SR-12D Snare Mounting Plate
- 3 NP-251P Rubber Gasket (one each)
- 4 SM-414B Mounting Screw w/Washer (for 6 ply shell)
- SM-416B Mounting Screw w/Washer (for 8 ply shell)
- SM-411C Mounting Screw w/Washer (for Metal shell)

SR-300



A SR-300A Release Side Assy. Complete

- 1 KB-508 Key Bolt (one each)
- 2 DC-463 Snare Mounting Plate (one each)
- 3 GA-53 Gasket (one each)
- 4 SM-414B Mounting Screw w/Washer (one set)

B SR-300E Butt Side Assy. Complete

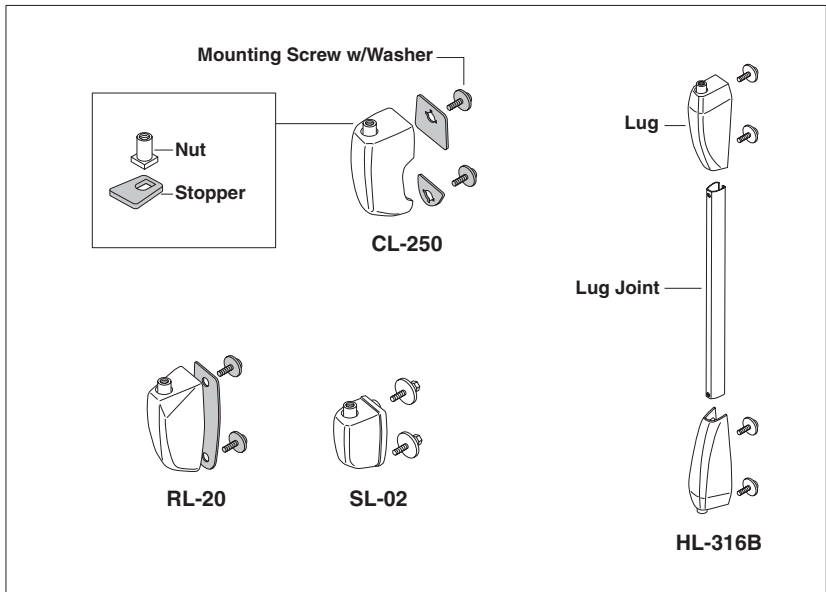
- 1 KB-508 Key Bolt (one each)
- 2 DC-463 Snare Mounting Plate (one each)
- 3 GA-52 Gasket (one each)
- 4 SC-508-AC Washer & Nut

Snare Wires

Model#	Strands	Size	Material
S-022	20	14"	High Carbon Steel, Straps
S-022N	20	14"	High Carbon Steel, Cords
S-025	20	14" long	High Carbon Steel
S-029N	20	13"	High Carbon Steel
S-030N	24	14"	High Carbon Steel
S-031N	20	12"	High Carbon Steel
S-032N	12	10"	High Carbon Steel
S-032	12	10"	High Carbon Steel
S-033N	12	12"	High Carbon Steel
S-033	12	12"	High Carbon Steel
S-040	15	14"	Steel, thinner gauge
S-041	15	14"	Bronze, thicker gauge

LUGS, BOLTS, TENSION CLAWS

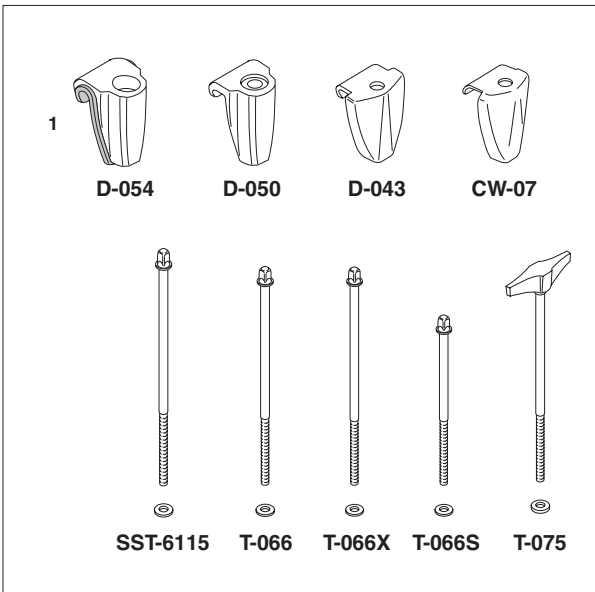
Lugs for Bass Drum



Number	Nut	Stopper	Gasket	Screw	Application
CL-250	DC-5US	NP-225	NP-262P (Large) NP-263P (Small)	SM-411B SM-414B	MMX/MRX Bass Drum 4PLY MMX/MRX Bass Drum 6PLY
RL-20	DC-5BN	NP-179N	NP-333P	SM-414B	SRX/ELX/EX Bass Drum
SL-02	DC-6FE	NP-607		SM-411	FX/RT Bass Drum

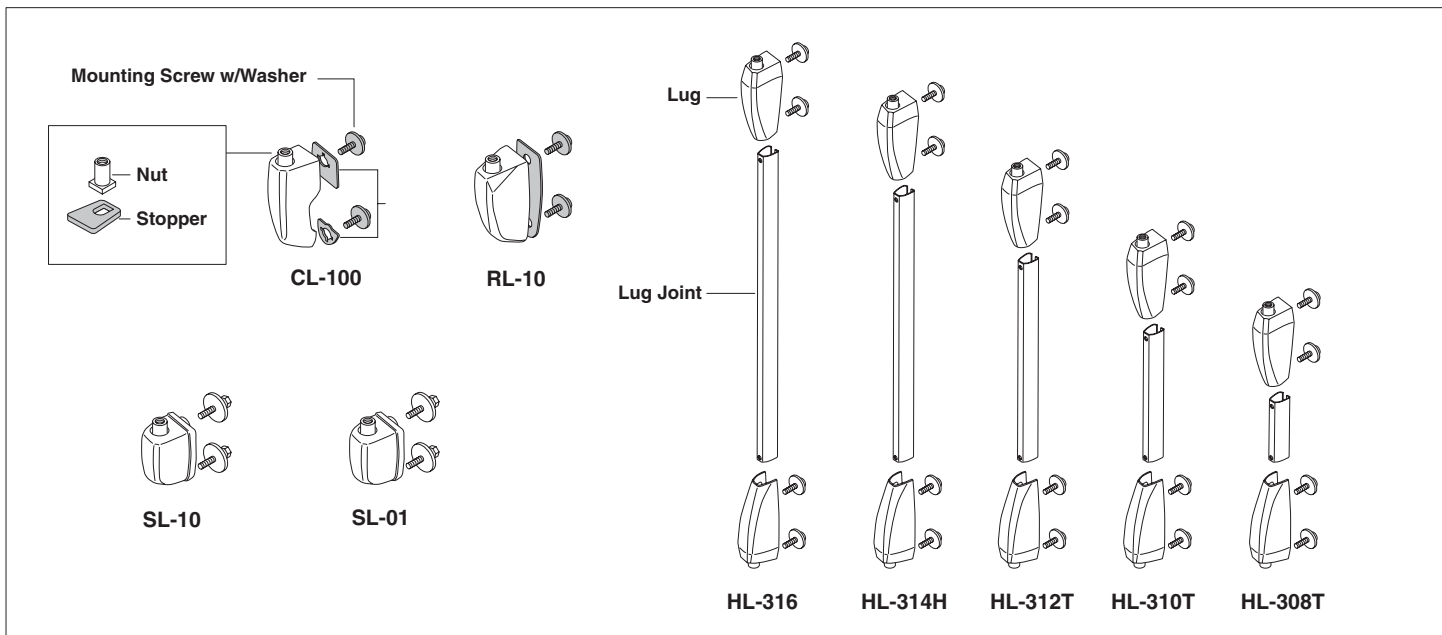
Number	Lug	Lug Joint	Nut	Stopper	Screw	Application
HL-316B	HL-30L	PR-463	DC-5FE	NP-179N	SM414-B	16" Depth Bass Drum
HL-318B	HL-30L	PR-550	DC-5FE	NP-179N	SM414-B	18" Depth Bass Drum

Bass Drum Tension Claws & Bolts



Number	Application
D-054	MMX / MRX / MHX / BRX bass drums
D-054-1	Rubber gasket ONLY
D-050	SRX
D-043	ELX
CW-07	EX / FX / RT
T-066	M6 X 110mm for all Pearl bass drums except FX / RT
T-066X	M5.8 X 110mm for FX
T-066S	M5.8 X 85mm for RT
T-075	M6 X 110mm T-rod for all Pearl bass drums except FX / RT

Lugs for Tom Toms



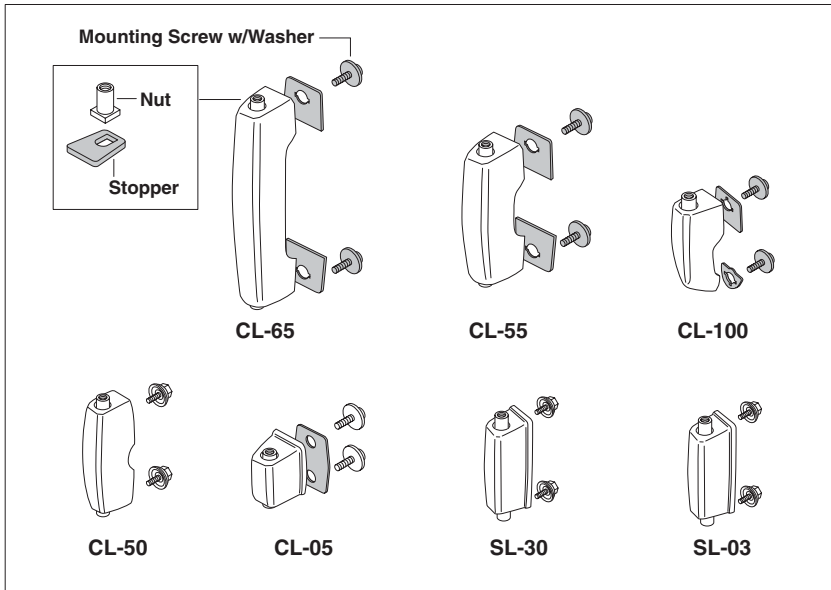
Number	Nut	Stopper	Gasket	Screw	Application
CL-100	DC-6US	NP-135N	NP-204P (Large) NP-241P (Small)	SM-411B SM-414B	MMX/MHX Toms 4PLY MRX/BRX Toms 6PLY
RL-10	DC-6BN	NP-135N	NP-334P	SM-414B	SRX/ELX/EX Toms
SL-10	DC-6FE	NP-135N		SM-414B	FX Toms - 1999
SL-01	DC-6FE	NP-135N		SM-411	FX/RT

Number	Lug	Lug Joint	Nut	Stopper	Screw	Application
HL-316T	HL-30S	PR-462	DC-6FE	NP-81B	SM-412	ELX tom
HL-314T	HL-30S	PR-461	DC-6FE	NP-81B	SM-412	ELX tom
HL-312T	HL-30S	PR-460	DC-6FE	NP-81B	SM-412	ELX tom
HL-310T	HL-30S	PR-459	DC-6FE	NP-81B	SM-412	ELX tom
HL-308T	HL-30S	PR-458	DC-6FE	NP-81B	SM-412	ELX tom

Number	Lug	Lug Joint	Nut	Stopper	Screw	Application
HL-316T	HL-30S	PR-462	DC-6FE	NP-81B	SC-1N	EX tom
HL-314T	HL-30S	PR-461	DC-6FE	NP-81B	SC-1N	EX tom
HL-312T	HL-30S	PR-460	DC-6FE	NP-81B	SC-1N	EX tom
HL-310T	HL-30S	PR-459	DC-6FE	NP-81B	SC-1N	EX tom
HL-308T	HL-30S	PR-458	DC-6FE	NP-81B	SC-1N	EX tom

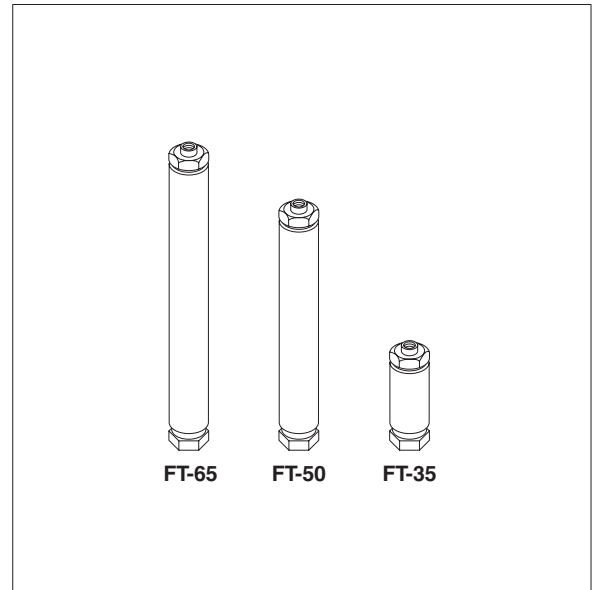
LUGS & BOLTS

Lugs for Snare Drum



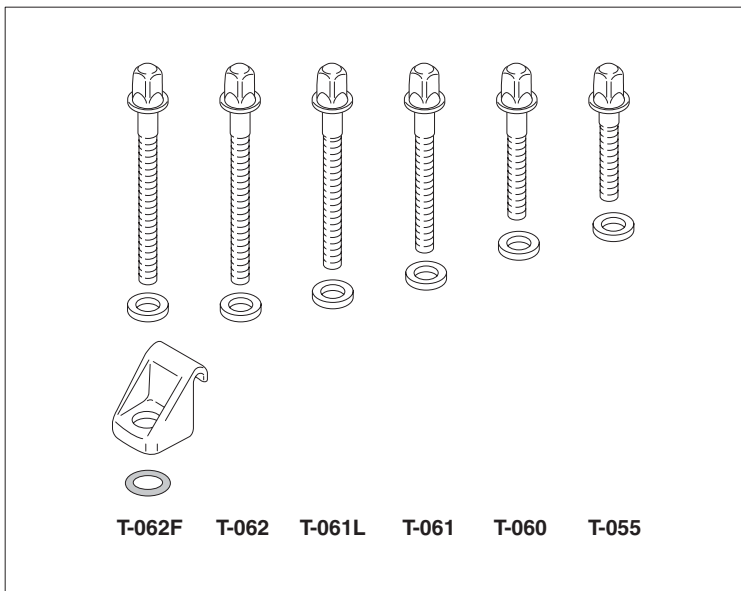
Number	Nut	Stopper	Gasket	Screw			Application
				METAL	WOOD 4PLY	WOOD 6PLY	
CL-100	DC-6US	NP-135N	NP-240P(Large) NP-241P(Small)	SM-411C	SM-411B	SM-414B	---
CL-65	DC-6US	NP-135N	NP-240P	SM-411C	SM-411B	SC-414B	6.5" deep
CL-55	DC-6US	NP-135N	NP-240P	SM-411C	SM-411B	SC-414B	5.5" deep
CL-50	DC-6BN	NP-135N	---	SM-411C	---	---	5.5" deep EX/ELX
CL-05	ME-256US	NP-135N	NP-257P	SM-411C	SM-411B	SM-414B	3" & 4" deep
SL-30	DC-6FE	NP-135N	---	SM-411C	---	---	5.5" deep FX-1999
SL-03	DC-6FE	NP-135N	---	---	---	SM-411	5.5" deep FX/RT-2000

Tubes for "F.F.S" Snare Drum



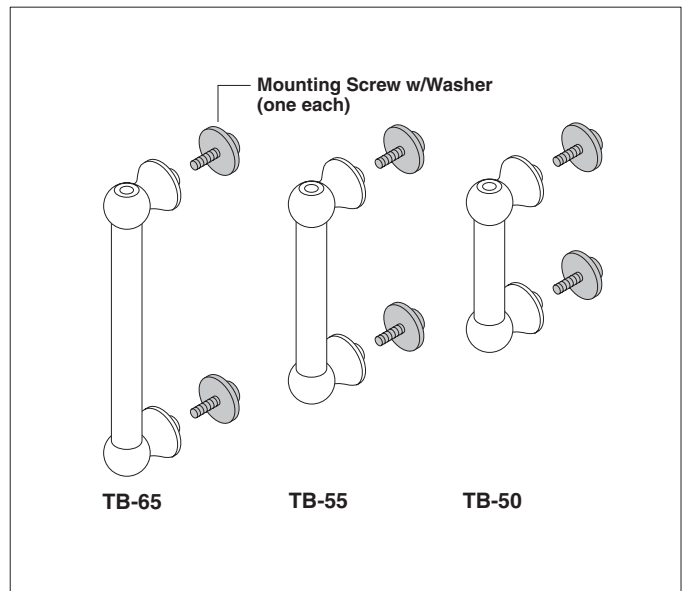
Number	Application
FT-35	Tube Assy. complete for 3.5" deep
FT-50	Tube Assy. complete for 5" deep
FT-65	Tube Assy. complete for 6.5" deep
FT-80	Tube Assy. complete for 8" deep

Tension Key Rods w/Washer



Number	Dia X Length	Application
T-062F/6	5.8mm X 52mm	w/Die-Cast Claw & Rubber O-Ring for SensiTone Classic snare drums (6/pkg)
T-062L/6	5.8mm X 57mm	EX/ELX 213D, 2116, 2118 (6/pkg)
T-062/6	5.8mm X 52mm	5.5" deep snare drums w/CL-55 lugs (6/pkg)
T-061L/6	5.8mm X 47mm	Masters, SRX, FX, RT toms / EX & ELX toms (other than 213D, 2116, 2118) / 5" deep snare drums w/CL-55 / 6.5" deep snare drums w/CL-65/CL-100 / 7" deep snare drums w/CL-100(6/pkg)
T-061/6	5.8mm X 42mm	4" deep snare drums (6/pkg)
T-060/6	5.8mm X 35mm	Free Floating System snare drums (6/pkg)
T-055/6	5.8mm X 28mm	3" deep snare drums (6/pkg)

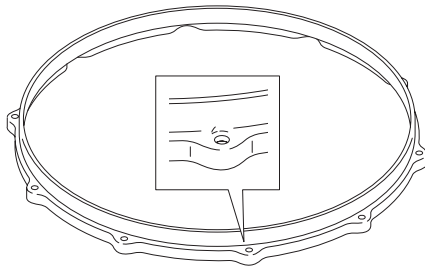
Tube Lugs



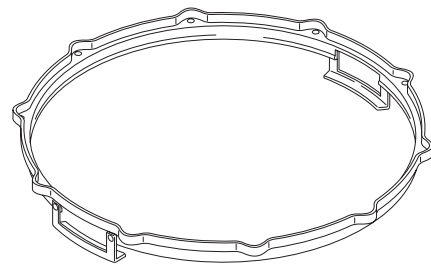
Number	Application
TB-50	Tube Lug Assy. complete for 5" deep: SensiTone Classic II
TB-55	Tube Assy. complete for 5" deep: Symphonic snare drums
TB-65	Tube Assy. complete for 6.5" deep: Symphonic snare drums

HOOPS

Die-Cast Hoops



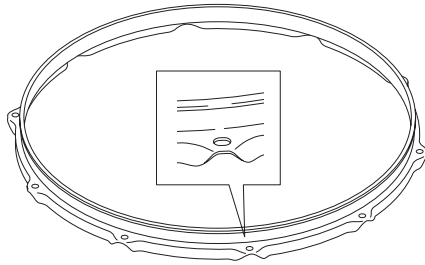
DC-1410



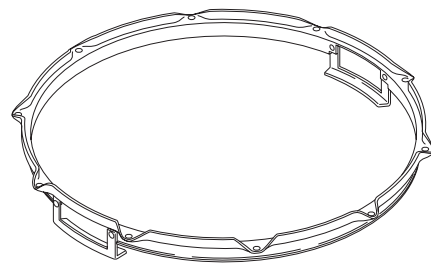
DC-1410SG

Number	Dia.	Description	Number	Dia.	Description
DC-0805	8"	5 rod	DC-1410	14"	10 rod
DC-1006	10"	6 rod	DC-1410S	14"	10 rod, snare side
DC-1206	12"	6 rod	DC-1410SG	14"	10 rod, snare side w/guard
DC-1306	13"	6 rod	DC-1508	15"	8 rod
DC-1408	14"	8 rod	DC-1608	16"	8 rod
DC-1408S	14"	8 rod, snare side	DC-1808	18"	8 rod

Super Hoop II, Regular Steel Hoops



SH-1410



SH-1410SG

Super Hoop II

Number	Dia.	Description	Number	Dia.	Description
SH-0604	6"	4 rod	SH-1408	14"	8 rod
SH-0805	8"	5 rod	SH-1410	14"	10 rod, batter side
SH-1006	10"	6 rod	SH-1410S	14"	10 rod, snare side
SH-1006S	10"	6 rod, snare side	SH-1410SG	14"	10 rod, snare side w/guard
SH-1206	12"	8 rod	SH-1508	15"	8 rod
SH-1206S	12"	8 rod, snare side	SH-1608	16"	8 rod
SH-1306	13"	6 rod	SH-1808	18"	8 rod

Regular Steel Hoops

Number	Dia.	Description	Number	Dia.	Description
RIM-0804	8"	4 rod	RIM-1408	14"	8 rod, batter side
RIM-1006	10"	6 rod	RIM-1408S	14"	8 rod, snare side
RIM-1206	12"	6 rod	RIM-1410	14"	10 rod, batter side
RIM-1306	13"	6 rod	RIM-1410S	14"	10 rod, snare side
RIM-1308	13"	8 rod, batter side	RIM-1606	16"	6 rod
RIM-1308S	13"	8 rod, snare side	RIM-1608	16"	8 rod
RIM-1406	14"	6 rod	RIM-1808	18"	8 rod

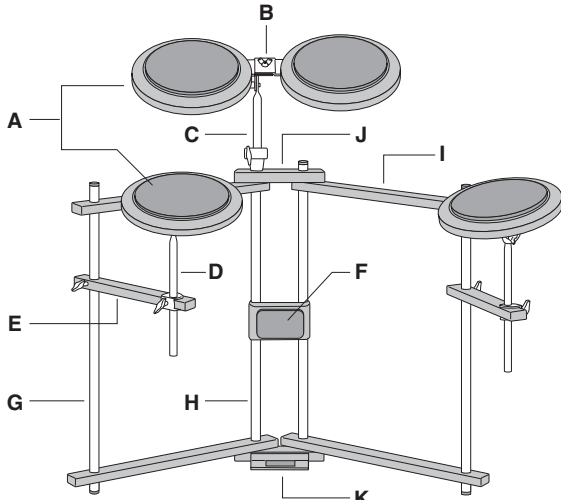
Bass Drum Hoops

Number	Dia.	Application	Number	Dia.	Application
RIM-18W	18"	MMX/MRX/MHX/BRX/SRX/ELX	HPP-1	—	MMX/MRX/MHX/BRX/SRX/ELX
RIM-22W	22"	MMX/MRX/MHX/BRX/SRX/ELX	NP-01	—	EX/FX/RT
RIM-24W	24"	MMX/MRX/MHX/BRX/SRX/ELX			
RIM-18RB	18"	EX/FX/RT			
RIM-22RB	22"	EX/FX/RT			
RIM-24RB	24"	EX/FX/RT			

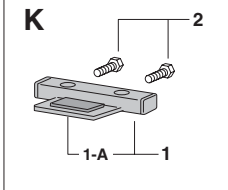
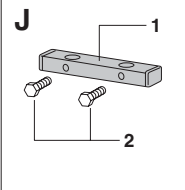
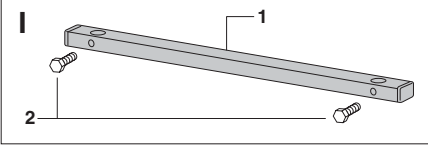
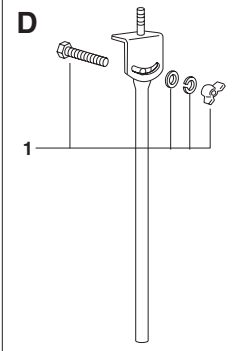
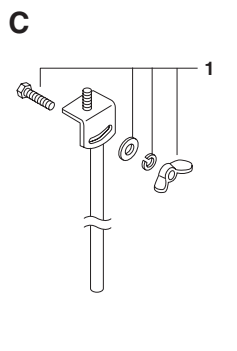
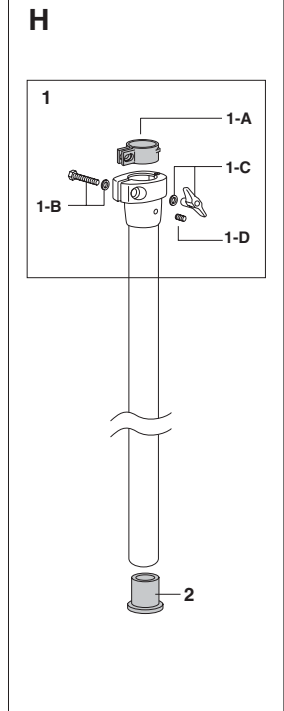
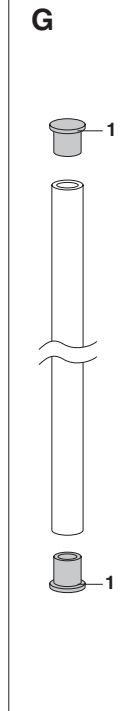
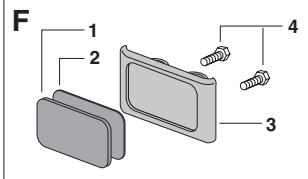
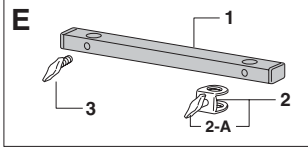
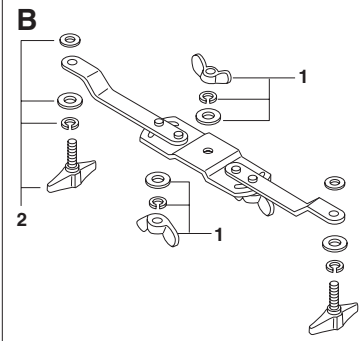
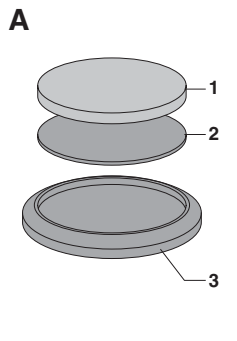
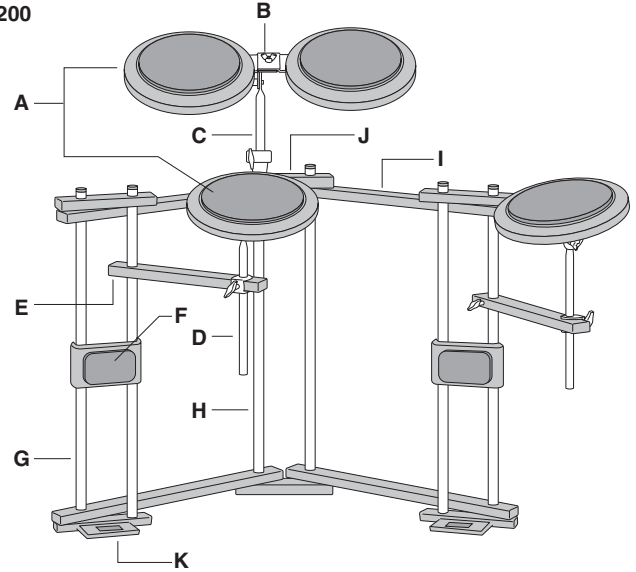
PRACTICE KITS

TK-100 / TK-200

TK-100



TK-200



- A** **PAD-8 Practice Pad Complete**
- 1 NP-202 Rubber Pad
- 2 NP-202N Rubber Cushion
- 3 NP-203 Base
- B** **TKM-10A Twin Pad Receiver Assy. Complete**
- 1 M-8K Die-Cast Wing Nut w/Washers (one set)
- 2 M-820TK Die-Cast Wing Bolt w/Washers (one set)
- C** **TKM-10S Pad Mounting Tube Assy. Complete**
- 1 SN-6TK Clamp Bolt Set
- D** **TKP-10S Pad Holder Assy. Complete**
- 1 SN-6TK Clamp Bolt Set
- E** **PP-160AA Pad Mounting Bar w/Steel Bushings**
- 1 PP-160A Pad Mounting Bar w/Steel Bushings
- 2 TKM-68 Tube Bracket Assy.
- 2-A M-815N Die-Cast Wing Bolt
- 3 M-815N Die-Cast Wing Bolt

- F** **PAD-8P Bass Drum Pad Assy. Complete**
- 1 NP-211 Rubber Pad
- 2 NP-211N Rubber Cushion
- 3 NP-205 Base
- 4 SC-262 Hexagonal Bolt (one each)
- G** **PP-34A Connecting Tube Assy. Complete**
- 1 NP-164 Plastic End Cap (one each)
- H** **PP-162A Center Tube Assy. Complete**
- 1 DJ-50A Die-Cast Joint Assy. Complete
- 1-A NB-5N Nylon Bushing
- 1-B SN-635 Clamp Bolt w/Nylon Washer
- 1-C M-6N Die-Cast Wing Nut w/Washer
- 1-D SB-44 Allen Screw
- 2 NP-164 Plastic End Cap

- I** **PP-159AA Connecting Bar Assy. Complete**
- 1 PP-159A Connecting Bar w/Steel Bushings
- 2 SC-262 Hexagonal Bolt (one each)
- J** **PP-161AA Connecting Bar Assy. Complete**
- 1 PP-161A Connecting Bar w/Steel Bushings
- 2 SC-262 Hexagonal Bolt (one each)
- K** **PP-162AA Pedal Clamp Assy. Complete**
- 1 PP-162A Pedal Clamp w/Rubber Protector
- 1-A NP-140 Rubber Protector
- 2 SC-262 Hexagonal Bolt (one each)