

# Opti-Loc Mounting System

## Instruction Manual

The Opti-Loc can be positioned to the left or right of the badge as needed.  
Please read the following instructions for proper removal and attachment of the Opti-Loc.

### Removing the Opti-Loc

1. Remove the Batter Side Hoop and Head from the drum. Using a Drum Key, remove the Key Nut and Fiber Washer as shown (Fig. 1).

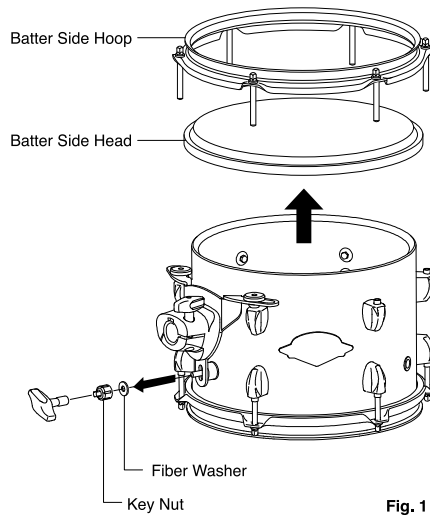


Fig. 1

2. Lift and remove the Opti-Loc from the drum as shown (Fig. 2).

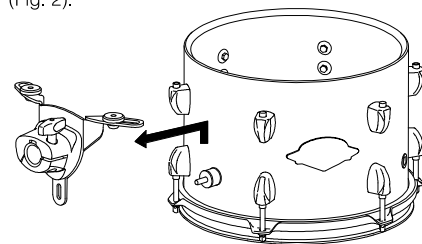


Fig. 2

3. Hold the Rubber Isolator to keep it from spinning and use a Drum Key to remove the Key Bolt, Washer, and Spacer as shown (Fig. 3).

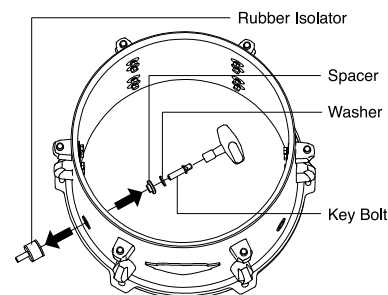


Fig. 3

### Attaching the Opti-Loc

4. There's an Air Vent on each side of the Badge. Attach the Rubber Isolator through the appropriate Air Vent as shown (Figs. 4-A and 4-B). Do not overtighten the Key Bolt.

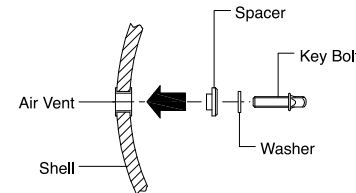


Fig. 4-A

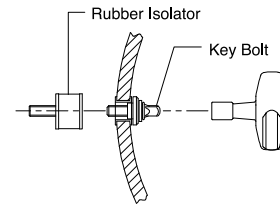


Fig. 4-B

5. Attach the Opti-Loc as shown. Make sure that the Rubber Grommets and the Lug Nuts are aligned and fitted as shown. Secure the bottom leg of the Opti-Loc to the Rubber Isolator with the Fiber Washer and Key Nut as shown (Fig. 5). Do not overtighten the Key Nut.

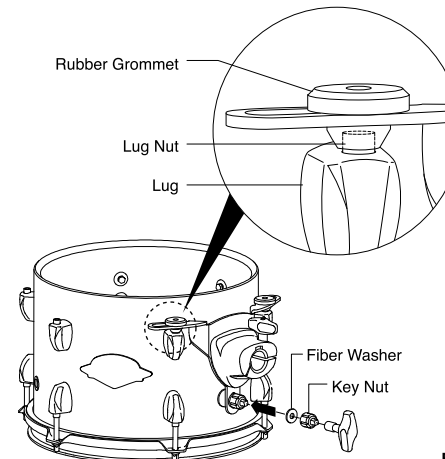


Fig. 5

6. Attach the Batter Side Drum Head and Hoop to the drum in the order shown (Fig. 6).

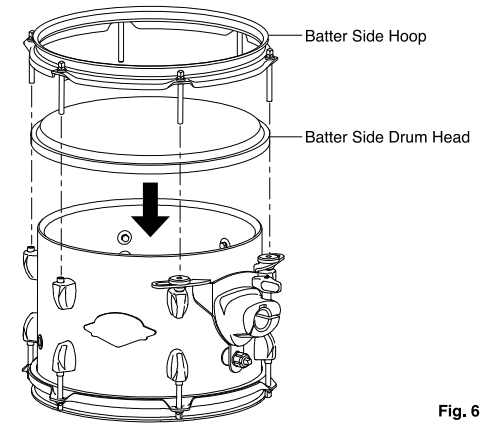


Fig. 6

### Note

- Removing or Attaching the Opti-Loc in a way other than described in this Manual can cause damage to the Opti-Loc.
- Do not carry the drum by the Opti-Loc unless the Batter Side Hoop and Head are attached. Doing so can cause the Opti-Loc to fall off and cause injury and/or damage to the Opti-Loc and the drum.
- Make sure not to misplace the parts when removing the Opti-Loc.

*Pearl*