



Replacement Parts Catalog

- Marimbas & Xylophones -

(except Marimba Artist)

March 2010

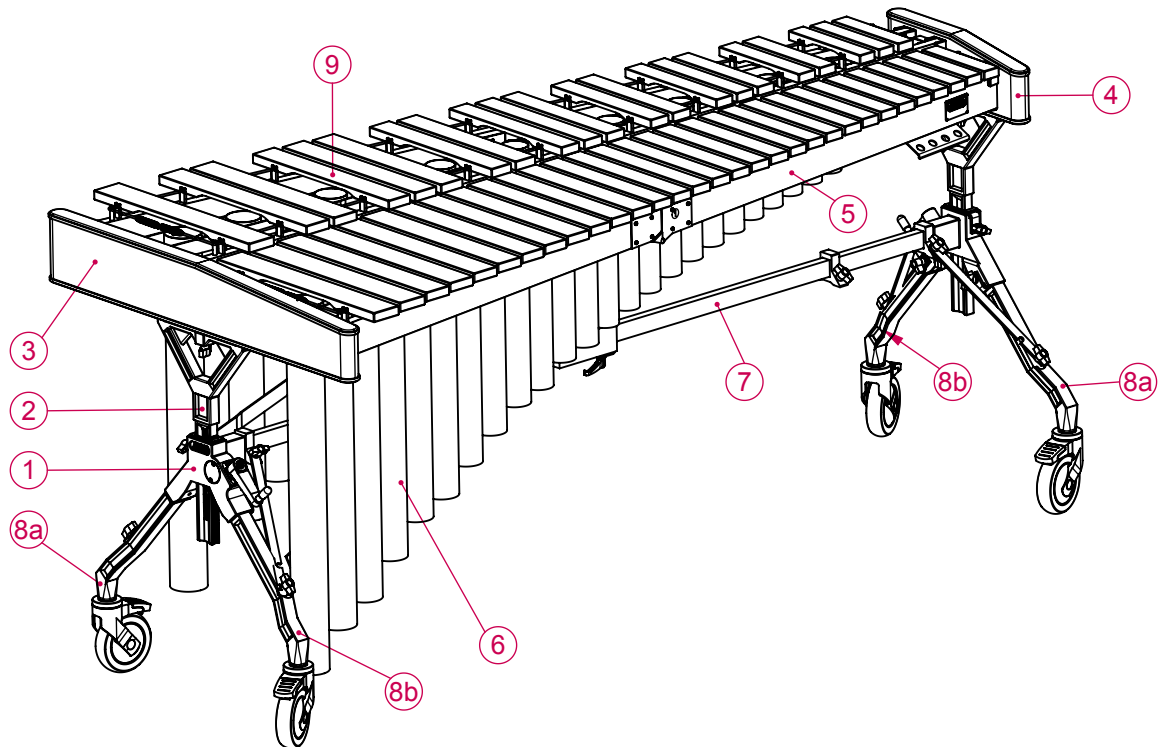
Marimbas & Xylophones



Cat#	Description	More information
MC	Marimba Concert MCPV43, MCHV43, MCKV43	page 2
MSPVJ30	Marimba Solist Junior MSPVJ30	page 3
MS	Marimba Solist MSPV43, MSHV43, MSPV40	page 4
XC	Xylophone Concert XC1HV40, XC2HV40	page 5
XS1	Xylophone Solist quint tuned XS1HV35, XS1HV40	page 6
XS2	Xylophone Solist octave tuned XS2HV35, XS2LV35, XS2HV40, XS2LV40	page 7
XS..KV35	Xylophone Solist zelon XS1KV35, XS2KV35	page 8
XS2LD35	Xylophone Solist 3 oct. desktop XS2LD35	page 9

Marimba Concert

Cat#	Description
MCPV43	Concert marimba padouk 4 1/3 octave
MCHV43	Concert marimba rosewood 4 1/3 octave
MCKV43	Concert marimba zelon 4 1/3 octave



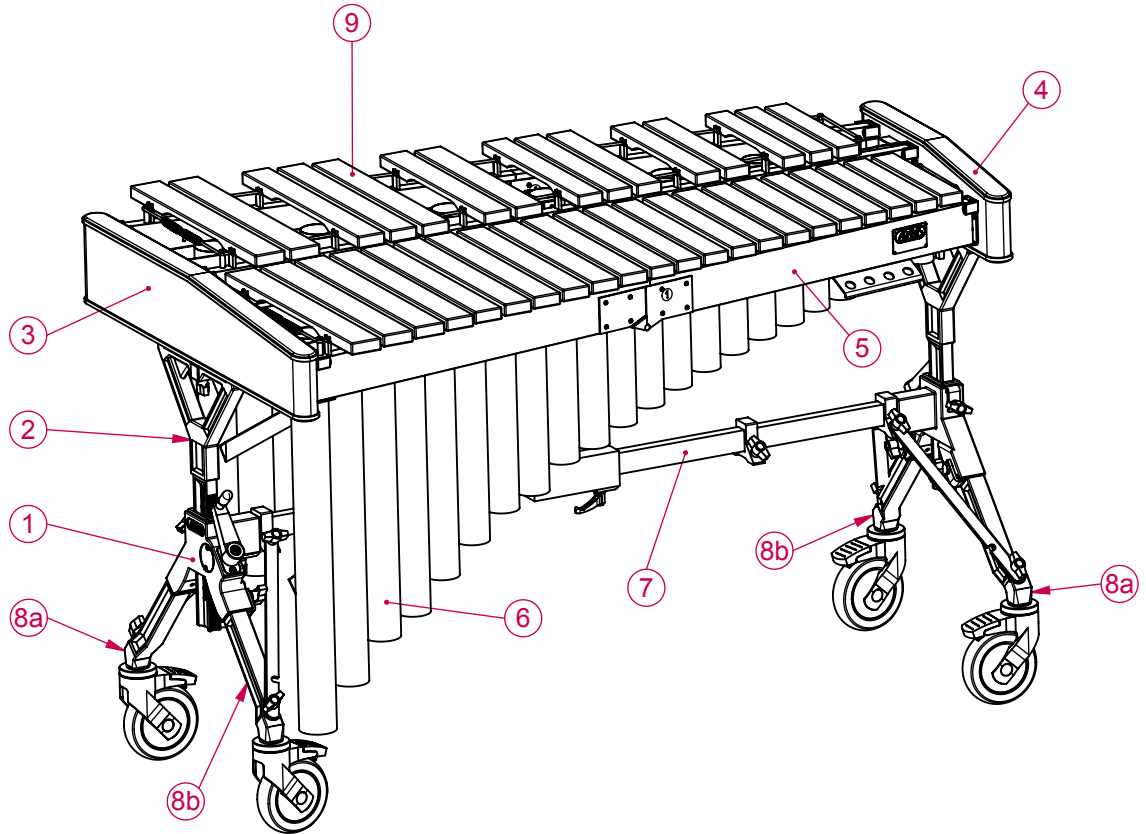
Pos#	Cat#	Description	More information
1	108	Height adjustment assembled (set of 2 pieces)	page 10
2	PMA01	Y-adjusting rod voyager frame assembled (black)	page 10
3	049	Large end piece for concert marimba	page 11
4	050	Small end piece for concert/solist marimba	page 12
5	029	Set of rails for concert marimba	page 13
6	005	Set of resonators for concert marimba	page 18
7	PMA71	Connecting rod concert marimba	page 20
8a	PMA106	Long left leg with wheel for marimba	page 21
8b	PMA107	Long right leg with wheel for marimba	page 21
9	-	Cat# is dependet on instrument, see table I	

table I (pos 9)

Type	Cat#	Description	More information
MCPV43	084	Set of bars for concert marimba padouk 4 1/3 octave	page 22
MCHV43	085	Set of bars for concert marimba rosewood 4 1/3 octave	page 22
MCKV43	101	Set of bars for concert marimba zelon 4 1/3 octave	page 22

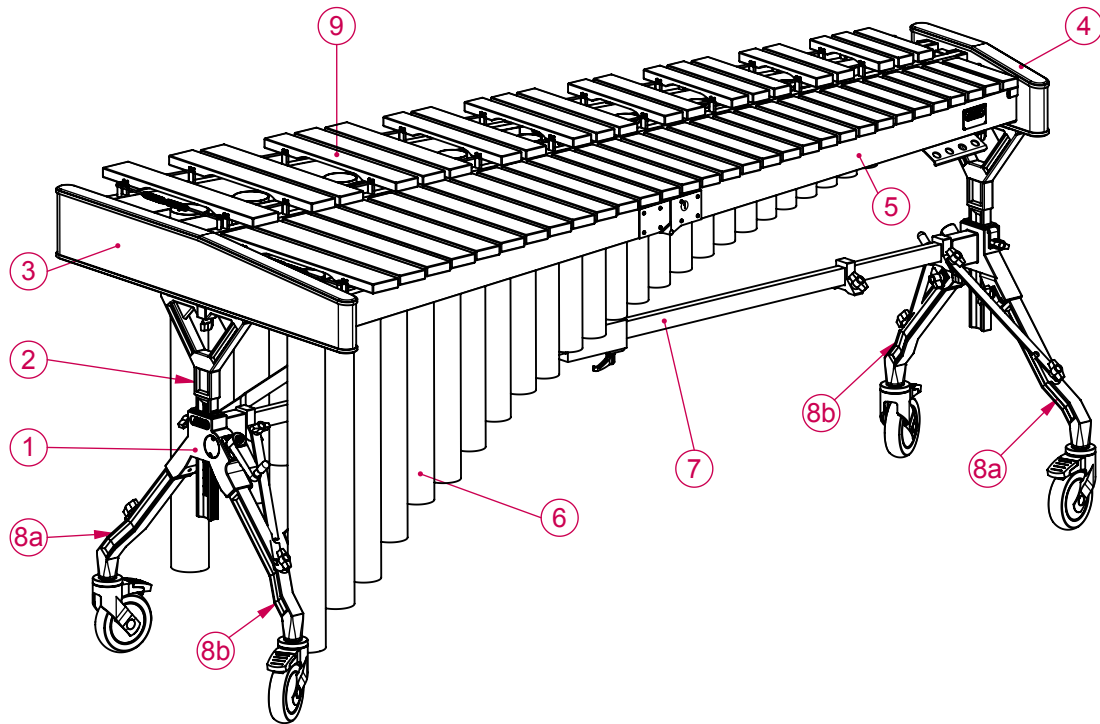
Marimba Soloist Junior 3 octave

Cat# Description
MSPVJ30 Solist junior marimba padouk 3 octave



Pos#	Cat#	Description	More information
1	108	Height adjustment assembled (set of 2 pieces)	page 10
2	PMA01	Y-adjusting rod voyager frame assembled (black)	page 10
3	051	Large end piece for marimba solist 3 & 4 octave	page 11
4	052	Small end piece for marimba solist junior 3 octave	page 12
5	030	Set of rails for marimba solist junior 3 octave	page 14
6	006	Set of resonators for marimba solist junior 3 octave	page 18
7	PMA44	Connecting rod marimba solist junior 3 octave	page 20
8a	PMA106	Left leg with wheel for xylophone / junior marimba	page 21
8b	PMA107	Right leg with wheel for xylophone / junior marimba	page 21
9	086	Set of bars marimba solist junior padouk 3 octave	page 22

Marimba Soloist



Cat#	Description
MSPV43	Solist marimba padouk 4 1/3 octave
MSHV43	Solist marimba rosewood 4 1/3 octave

Pos#	Cat#	Description	More information
1	108	Height adjustment assembled (set of 2 pieces)	page 10
2	PMA01	Y-adjusting rod voyager frame assembled (black)	page 10
3	053	Large end piece for marimba solist 4 1/3 octave	page 11
4	050	Small end piece for marimba concert/solist	page 12
5	032	Set of rails for marimba solist 4 1/3 octave	page 14
6	008	Set of resonators for marimba solist 4 1/3 octave	page 18
7	PMA73	Connecting rod marimba solist 4 1/3 octave	page 20
8a	PMA102	Left leg with wheel for marimba	page 21
8b	PMA103	Right leg with wheel for marimba	page 21
9	-	Cat# is dependet on instrument, see table I	

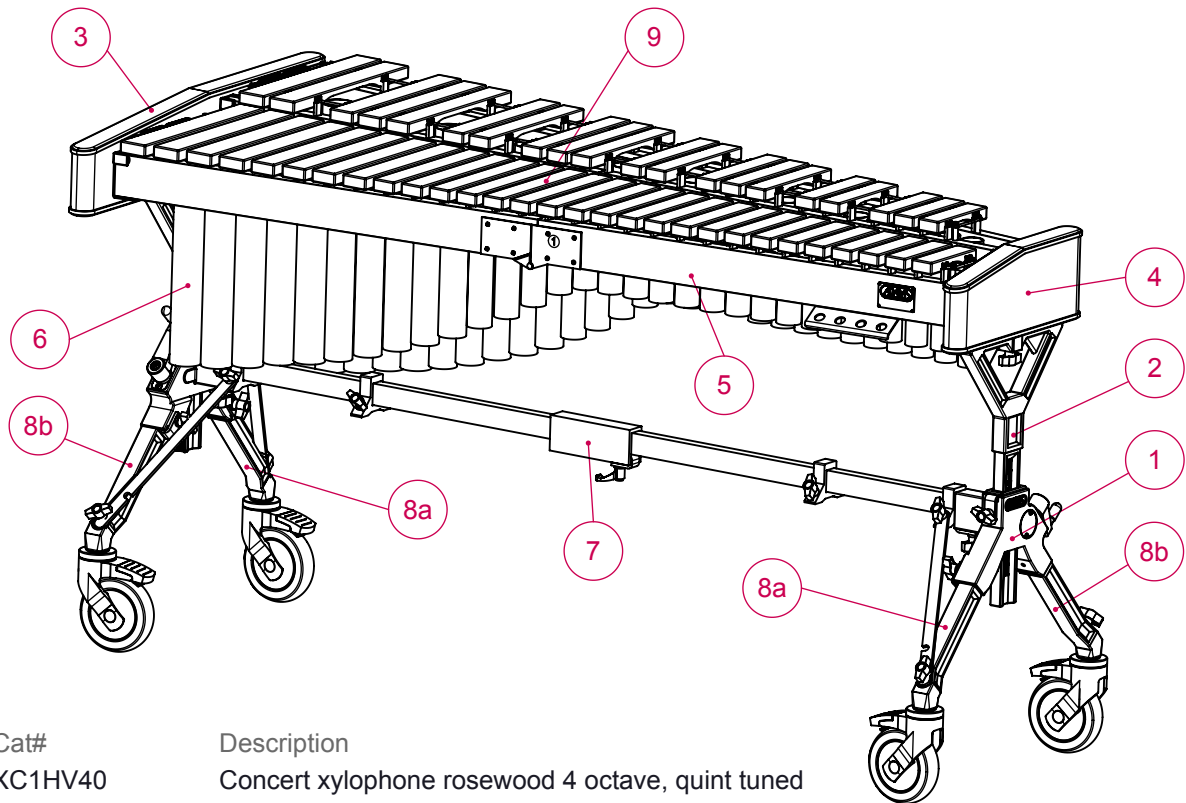
table I (pos 9)

Type	Cat#	Description	More information
MSPV43	088	Set of bars for solist marimba padouk 4 1/3 octave	page 22
MSHV43	089	Set of bars for solist marimba rosewood 4 1/3 octave	page 22

Cat#	Description
MSPV40	Solist marimba padouk 4 octave

Pos#	Cat#	Description	More information
1	108	Height adjustment assembled (2 pieces)	page 10
2	PMA01	Y-adjusting rod voyager frame assembled (black)	page 10
3	051	Large end piece for marimba solist 3 & 4 octave	page 11
4	050	Small end piece for marimba concert/solist	page 12
5	031	Set of rails for marimba solist 4 octave	page 14
6	007	Set of resonators for marimba solist 4 octave	page 18
7	PMA72	Connecting rod marimba solist 4 octave	page 20
8a	PMA106	Left leg with wheel for xylophone / junior marimba	page 21
8b	PMA107	Right leg with wheel for xylophone / junior marimba	page 21
9	087	Set of bars for solist marimba padouk 4 octave	page 22

Xylophone Concert



Cat#
XC1HV40

Description
Concert xylophone rosewood 4 octave, quint tuned

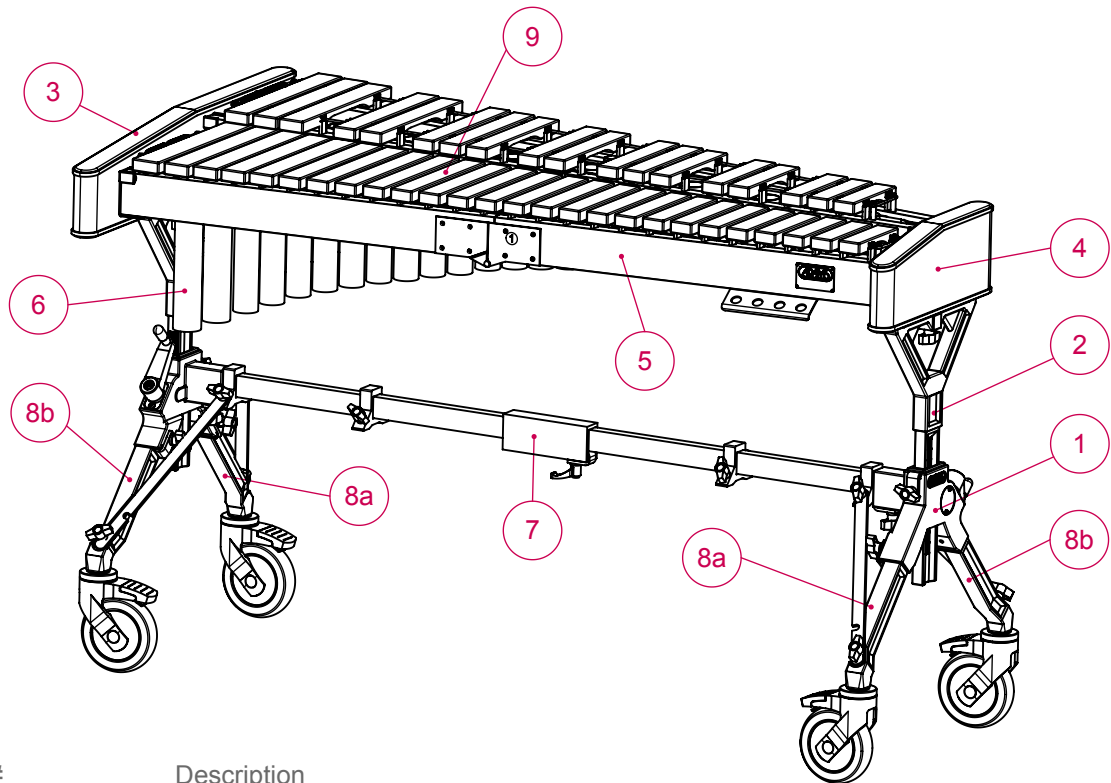
Pos#	Cat#	Description	More information
1	108	Height adjustment assembled (set of 2 pieces)	page 10
2	PMA01	Y-adjusting rod voyager frame assembled (black)	page 10
3	056	Large end piece for concert xylophone 4 octave, quint tuned	page 11
4	057	Small end piece for concert xylophone 4 octave, quint tuned	page 12
5	033	Set of rails for concert xylophone 4 octave, quint tuned	page 15
6	009	Set of resonators for concert xylophone 4 octave, quint tuned	page 19
7	PMA49	Connecting rod concert xylophone 4 octave, quint tuned	page 20
8a	PMA106	Left leg with wheel for xylophone / junior marimba	page 21
8b	PMA107	Right leg with wheel for xylophone / junior marimba	page 21
9	090	Set of bars for concert xylophone rosewood 4 octave, quint tuned	page 23

Cat#
XC2HV40

Description
Concert xylophone rosewood 4 oct., octave tuned

Pos#	Cat#	Description	More information
1	108	Height adjustment assembled (set of 2 pieces)	page 10
2	PMA01	Y-adjusting rod voyager frame assembled (black)	page 10
3	058	Large end piece for concert xylophone 4 oct., octave tuned	page 11
4	055	Small end piece for concert/solist xylophone	page 12
5	034	Set of rails for concert xylophone 4 oct., octave tuned	page 15
6	010	Set of resonators for concert xylophone 4 oct., octave tuned	page 19
7	PMA48	Connecting rod concert xylophone 4 oct., octave tuned	page 20
8a	PMA106	Left leg with wheel for xylophone / junior marimba	page 21
8b	PMA107	Right leg with wheel for xylophone / junior marimba	page 21
9	091	Set of bars for concert xylophone rosewood 4 oct., octave tuned	page 23

Xylophone Soloist quint tuned



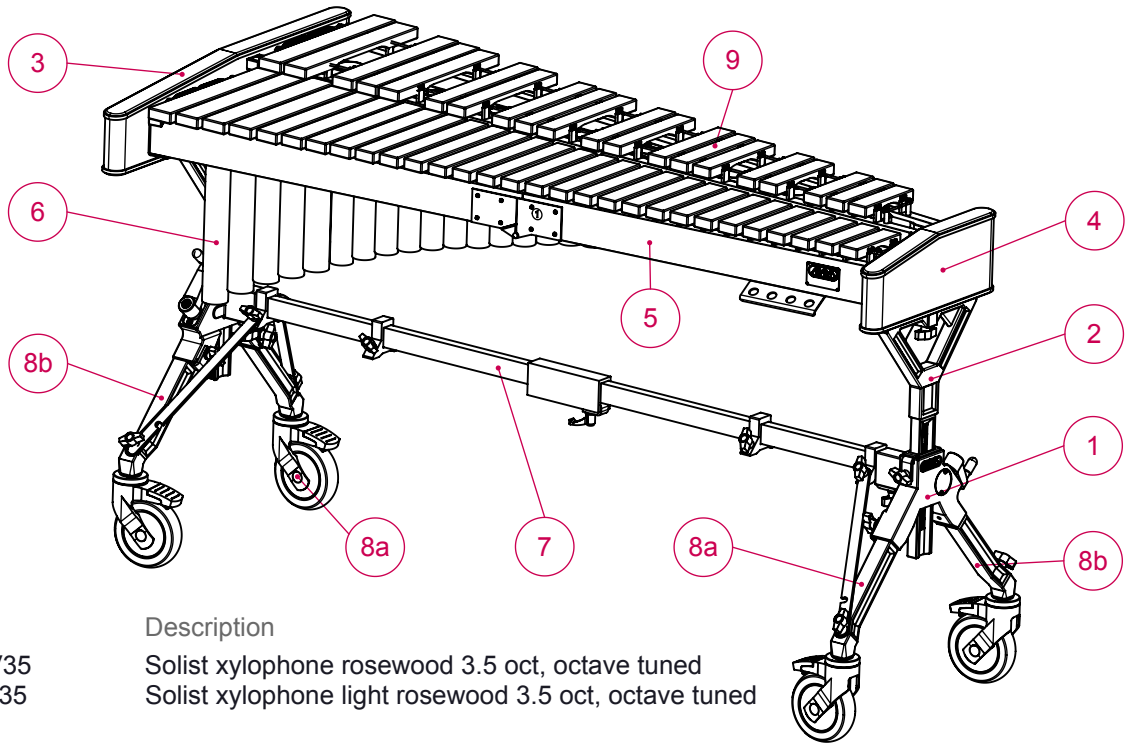
Cat# XS1HV35 Description Solist xylophone rosewood 3.5 oct, quint tuned

Pos#	Cat#	Description	More information
1	108	Height adjustment assembled (set of 2 pieces)	page 10
2	PMA01	Y-adjusting rod voyager frame assembled (black)	page 10
3	054	Large end piece for solist xylophone 3.5 oct., quint tuned	page 11
4	055	Small end piece for xylophone	page 12
5	035	Set of rails for solist xylophone 3.5 oct., quint tuned	page 16
6	011	Set of resonators for solist xylophone 3.5 octave	page 19
7	PMA45	Connecting rod for solist xylophone 3.5 octave	page 20
8a	PMA106	Left leg with wheel for xylophone / junior marimba	page 21
8b	PMA107	Right leg with wheel for xylophone / junior marimba	page 21
9	092	Set of bars for solist xylophone rosewood 3.5 oct., quint tuned	page 22

Cat# XS1HV40 Description Solist xylophone rosewood 4 oct, quint tuned

Pos#	Cat#	Description	More information
1	108	Height adjustment assembled (set of 2 pieces)	page 10
2	PMA01	Y-adjusting rod voyager frame assembled (black)	page 10
3	059	Large end piece for solist xylophone 4 oct., quint tuned	page 11
4	055	Small end piece for xylophone	page 12
5	036	Set of rails for solist xylophone 4 oct., quint tuned	page 16
6	012	Set of resonators for solist xylophone 4 octave	page 19
7	PMA47	Connecting rod for solist xylophone 4 octave	page 20
8a	PMA106	Left leg with wheel for xylophone / junior marimba	page 21
8b	PMA107	Right leg with wheel for xylophone / junior marimba	page 21
9	093	Set of bars for solist xylophone rosewood 4 oct., quint tuned	page 22

Xylophone Soloist octave tuned



Cat#	Description
XS2HV35	Solist xylophone rosewood 3.5 oct, octave tuned
XS2LV35	Solist xylophone light rosewood 3.5 oct, octave tuned

Pos#	Cat#	Description	More information
1	108	Height adjustment assembled (set of 2 pieces)	page 10
2	PMA01	Y-adjusting rod voyager frame assembled (black)	page 10
3	060	Large end piece for solist xylophone 3.5 oct., octave tuned	page 11
4	055	Small end piece for xylophone	page 12
5	037	Set of rails for solist xylophone 3.5 oct., octave tuned	page 17
6	011	Set of resonators for solist xylophone 3.5 octave	page 19
7	PMA45	Connecting rod for solist xylophone 3.5 octave	page 20
8a	PMA106	Left leg with wheel for xylophone / junior marimba	page 21
8b	PMA107	Right leg with wheel for xylophone / junior marimba	page 21
9	-	Cat# is dependent on instrument, see table I	

table I (pos 9)

Type	Cat#	Description	More information
XS2HV35	094	Set of bars for solist xylophone rosewood 3.5 oct, octave tuned	page 23
XS2LV35	098	Set of bars for solist xylophone light rosewood 3.5 oct, octave tuned	page 23

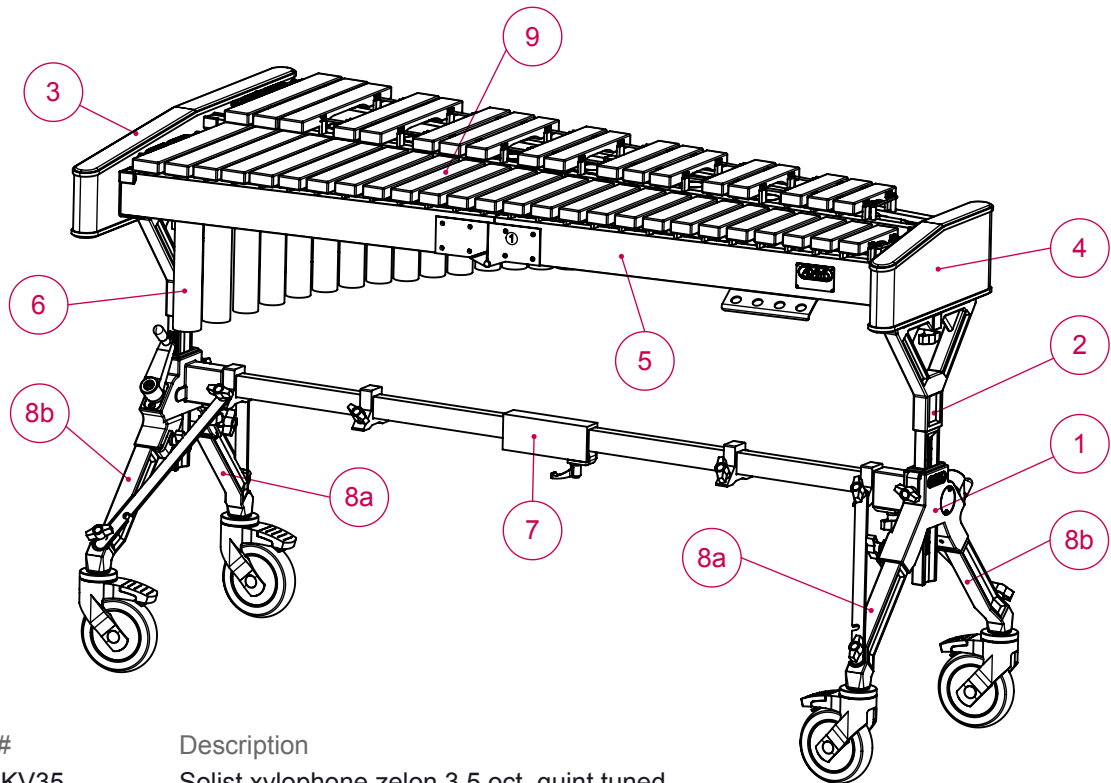
Cat#	Description
XS2HV40	Solist xylophone rosewood 4 oct, octave tuned
XS2LV40	Solist xylophone light rosewood 4 oct, octave tuned

Pos#	Cat#	Description	More information
1	108	Height adjustment assembled (set of 2 pieces)	page 10
2	PMA01	Y-adjusting rod voyager frame assembled (black)	page 10
3	061	Large end piece for solist xylophone 4 oct., octave tuned	page 11
4	055	Small end piece for xylophone	page 12
5	038	Set of rails for solist xylophone 4 oct., octave tuned	page 17
6	012	Set of resonators for solist xylophone 4 octave	page 19
7	PMA47	Connecting rod for solist xylophone 4 octave	page 20
8a	PMA106	Left leg with wheel for xylophone / junior marimba	page 21
8b	PMA107	Right leg with wheel for xylophone / junior marimba	page 21
9	-	Cat# is dependent on instrument, see table II	

table II (pos 9)

Type	Cat#	Description	More information
XS2HV40	095	Set of bars for solist xylophone rosewood 4 oct, octave tuned	page 23
XS2LV40	099	Set of bars for solist xylophone light rosewood 4 oct, octave tuned	page 23

Xylophone Soloist Zelon



Pos#	Description
XS1KV35	Solist xylophone zelon 3.5 oct, quint tuned

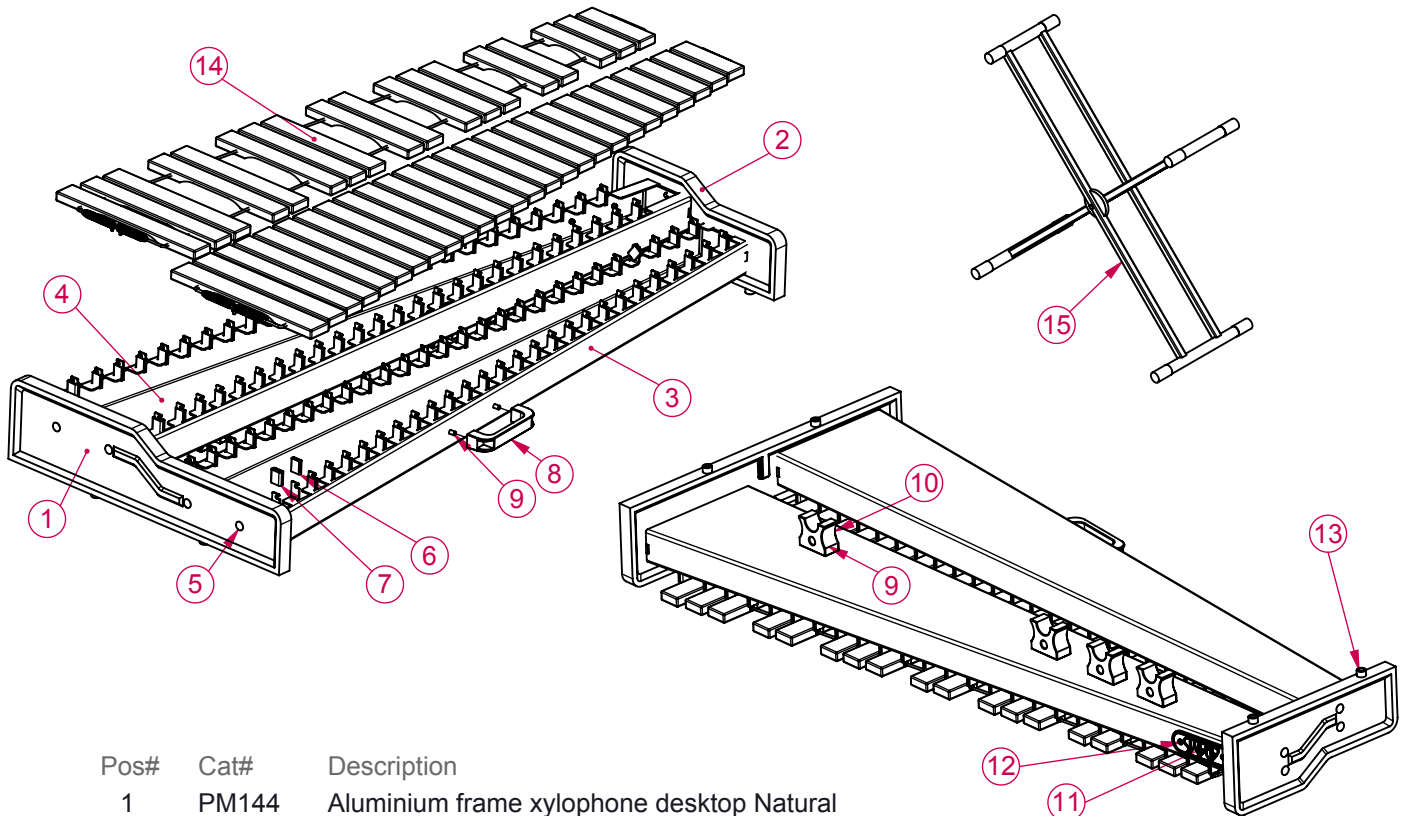
Pos#	Cat#	Description	More information
1	108	Height adjustment assembled (set of 2 pieces)	page 10
2	PMA01	Y-adjusting rod voyager frame assembled (black)	page 10
3	054	Large end piece for solist xylophone 3.5 oct., quint tuned	page 11
4	055	Small end piece for xylophone	page 12
5	035	Set of rails for solist xylophone 3.5 oct., quint tuned	page 16
6	011	Set of resonators for solist xylophone 3.5 octave	page 18
7	PMA46	Connecting rod for solist xylophone zelon 3.5 octave	page 20
8a	PMA106	Left leg with wheel for xylophone / junior marimba	page 21
8b	PMA107	Right leg with wheel for xylophone / junior marimba	page 21
9	100	Set of bars for solist xylophone zelon 3.5 oct., quint tuned	page 23

Pos#	Description
XS2KV35	Solist xylophone zelon 3.5 oct, octave tuned

Pos#	Cat#	Description	More information
1	108	Height adjustment assembled (set of 2 pieces)	page 10
2	PMA01	Y-adjusting rod voyager frame assembled (black)	page 10
3	060	Large end piece for solist xylophone 3.5 oct., octave tuned	page 11
4	055	Small end piece for xylophone	page 12
5	037	Set of rails for solist xylophone 3.5 oct., octave tuned	page 17
6	011	Set of resonators for solist xylophone 3.5 octave	page 19
7	PMA46	Connecting rod for solist xylophone zelon 3.5 octave	page 20
8a	PMA106	Left leg with wheel for xylophone / junior marimba	page 21
8b	PMA107	Right leg with wheel for xylophone / junior marimba	page 21
9	096	Set of bars for solist xylophone zelon 3.5 oct., octave tuned	page 23

Xylophone Soloist Desktop

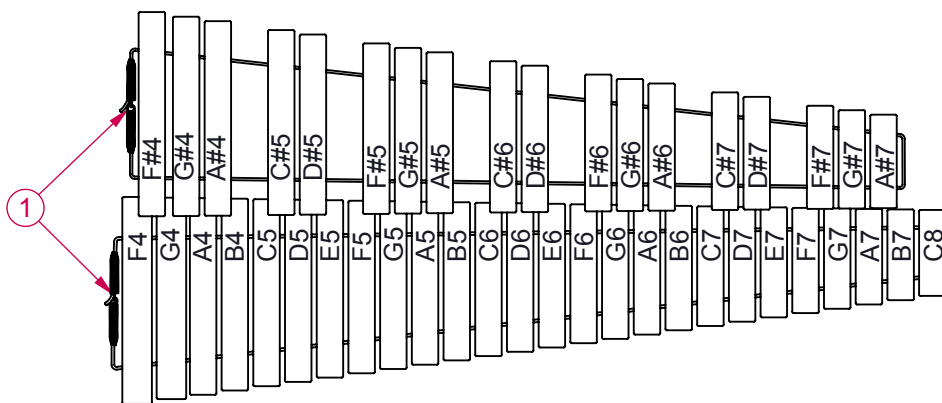
Cat# XSLD35N Description Xylophone solist desktop light rosewood 3,5 octave



Pos#	Cat#	Description
1	PM144	Aluminium frame xylophone desktop Natural
2	PM145	Aluminium frame xylophone desktop Accidental
3	PB800	Large endpiece for xylophone desktop
4	PB801	Small endpiece for xylophone desktop
5	PB565	Coach bolt M6x20
6	PM003A	Rubber bushing 12x10x23
7	PM006	Rubber bushing 18x10x22, on first pen only
8	PB802	Handgrip black plastic
9	PB055	Hexagon socket button head screw (black) M6x12
10	PB803	Plastic holder for stand
11	PM164	Name plate Adams, silver
12	PB805	Hexagon socket countersunk head screw (black) M4x10
13	PB804	Plastic buffer, black Ø15
14	0981	Set of bars for xylophone solist desktop light rosewood 3,5 octave
15	4KLSTZ	Stand for xylophone solist desktop

See below

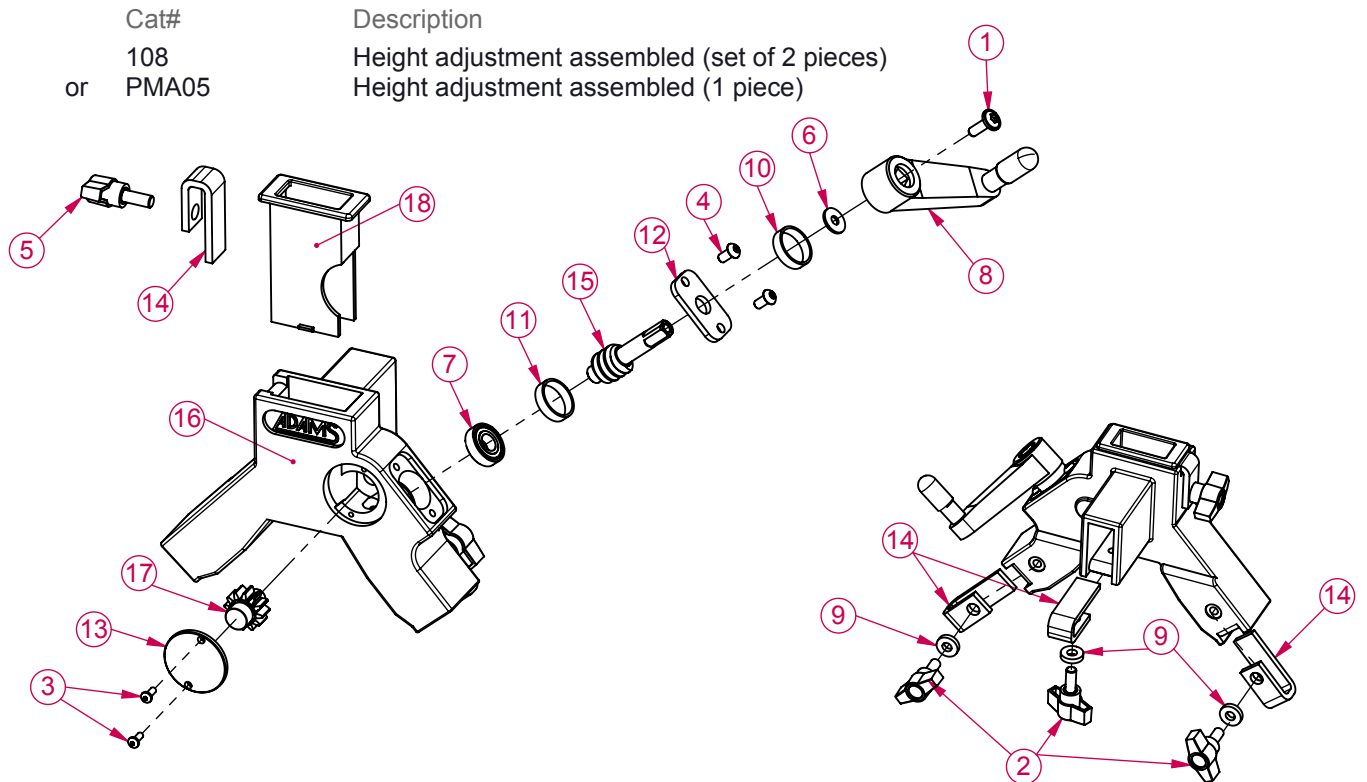
Cat# Description
0981 Set of bars for xylophone solist desktop light rosewood 3,5 octave



CD300

Pos#	Cat#	Description
1	PM120	Cord with 2 springs for solist xylophone 3,5 octave
BARS	-	Bar, cat# is XS2LR + note e.g. XS2LRC5 or XS2LRC#5

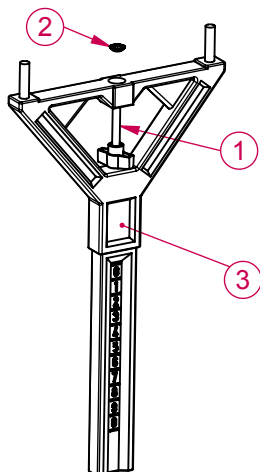
Height adjustment assembled



Cat#	Description
108	Height adjustment assembled (set of 2 pieces)
or PMA05	Height adjustment assembled (1 piece)

Pos#	Cat#	Description
1	PB056	Hexagon socket button head cap screw M6x20 (black)
2	PB509	Wing-screw plastic (wingwidth 40 mm) M8x20 (black)
3	PB112	Hexagon socket button head cap screw M4x10 (black)
4	PB114	Hexagon socket button head cap screw M6x12 (black)
5	PB131	Thumb screw steel M10x20 (black)
6	PB411	Plain washer M12 (black)
7	PBB03	Bearing
8	PB534	Crank handle plastic, grip length 80 mm (black)
9	PM005	Plain washer rubber 18x8x4 mm
10	PM007	Plain washer rubber 25x12x8.5 mm
11	PM072	Fill-washer
12	PM073	Steel disk (black)
13	PM074	Slice for height adjustment
14	PM021	Steel insert protection (black)
15	PM071	Worm wheel (yellow)
16	PM068	Connection part (black)
17	PM020	Cogwheel 12 t. for connection part
18	PM135	Plastic slide part

Y-adjusting rod assembled

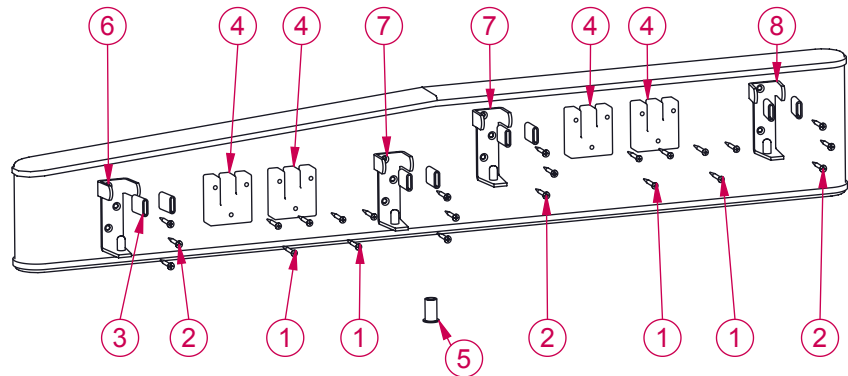


Cat#	Description
PMA01	Y-adjusting rod assembled

Pos#	Cat#	Description
1	PB511	Wing-screw plastic (wingwidth 40 mm) M8x45
2	PB433	Fixing washers for wing screw
3	PM022	Y-adjusting rod

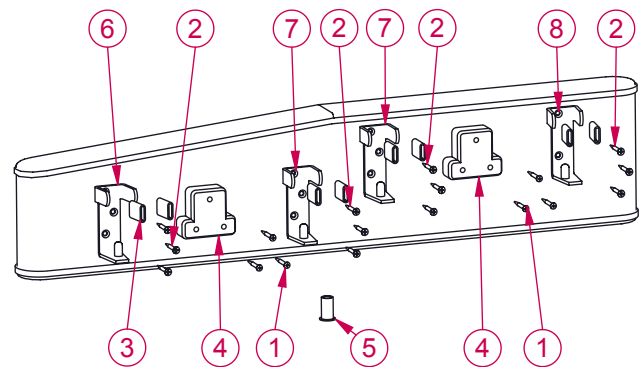
Large end piece

Cat#	Description
049	Large end piece for concert marimba
051	Large end piece for solist marimba 3 & 4 octave
053	Large end piece for solist marimba 4 1/3 octave
056	Large end piece for concert xylophone, quint tuned
058	Large end piece for concert xylophone, octave tuned



Pos#	Cat#	Description
1	PB125	Countersunk head tapping screw, black, 3.5 x 32 mm
2	PB129	Cross recessed countersunk head screw, black, 3.5 x 30 mm
3	PM004	Plain washer rubber 13 x 10 x 23, black
4	PM009	Rubber for resonator, nr. 3
5	PD005	Countersunk head screw m8 x 32 mm, black
6	PM029	Suspension bracket for rails nr. 1, black
7	PM030	Suspension bracket for rails nr. 2, black
8	PM031	Suspension bracket for rails nr. 3, black

Cat#	Description
054	Large end piece for solist xylophone 3.5 oct, quint tuned
059	Large end piece for solist xylophone 4 oct, quint tuned
060	Large end piece for solist xylophone 3.5 oct, octave tuned
061	Large end piece for solist xylophone 4 oct, octave tuned



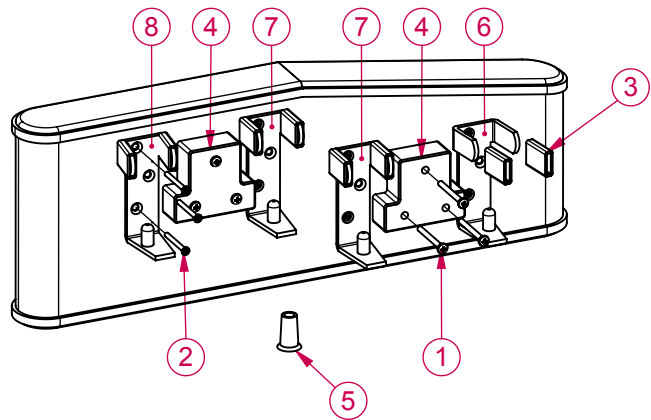
Pos#	Cat#	Description
1	PB125	Countersunk head tapping screw, black, 3.5 x 32 mm
2	PB129	Cross recessed countersunk head screw, black, 3.5 x 30 mm
3	PM004	Plain washer rubber 13 x 10 x 23, black
4	PM011	Rubber for resonator, nr. 2
5	PD005	Countersunk head screw m8 x 32 mm, black
6	PM029	Suspension bracket for rails nr. 1, black
7	PM030	Suspension bracket for rails nr. 2, black
8	PM031	Suspension bracket for rails nr. 3, black

#2

#4

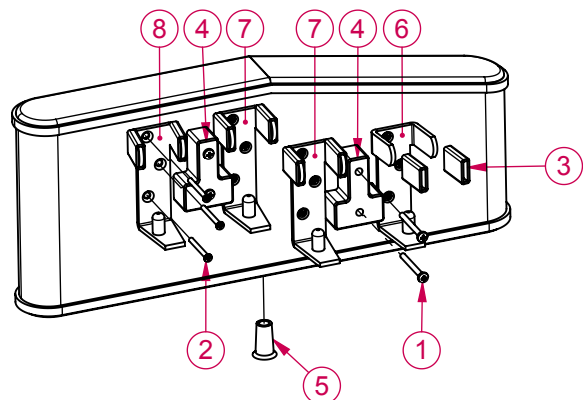
Small end piece

Cat#	Description
050	Small end piece for concert/solist marimba
052	Small end piece for solist junior marimba 3 octave



Pos#	Cat#	Description
1	PB125	Countersunk head tapping screw, black, 3.5 x 32 mm
2	PB129	Cross recessed countersunk head screw, black, 3.5 x 30 mm
3	PM004	Plain washer rubber 13 x 10 x 23, black
4	PM011	Rubber for resonator, nr. 2
5	PD005	Countersunk head screw m8 x 32 mm, black
6	PM029	Suspension bracket for rails nr. 1, black
7	PM030	Suspension bracket for rails nr. 2, black
8	PM031	Suspension bracket for rails nr. 3, black

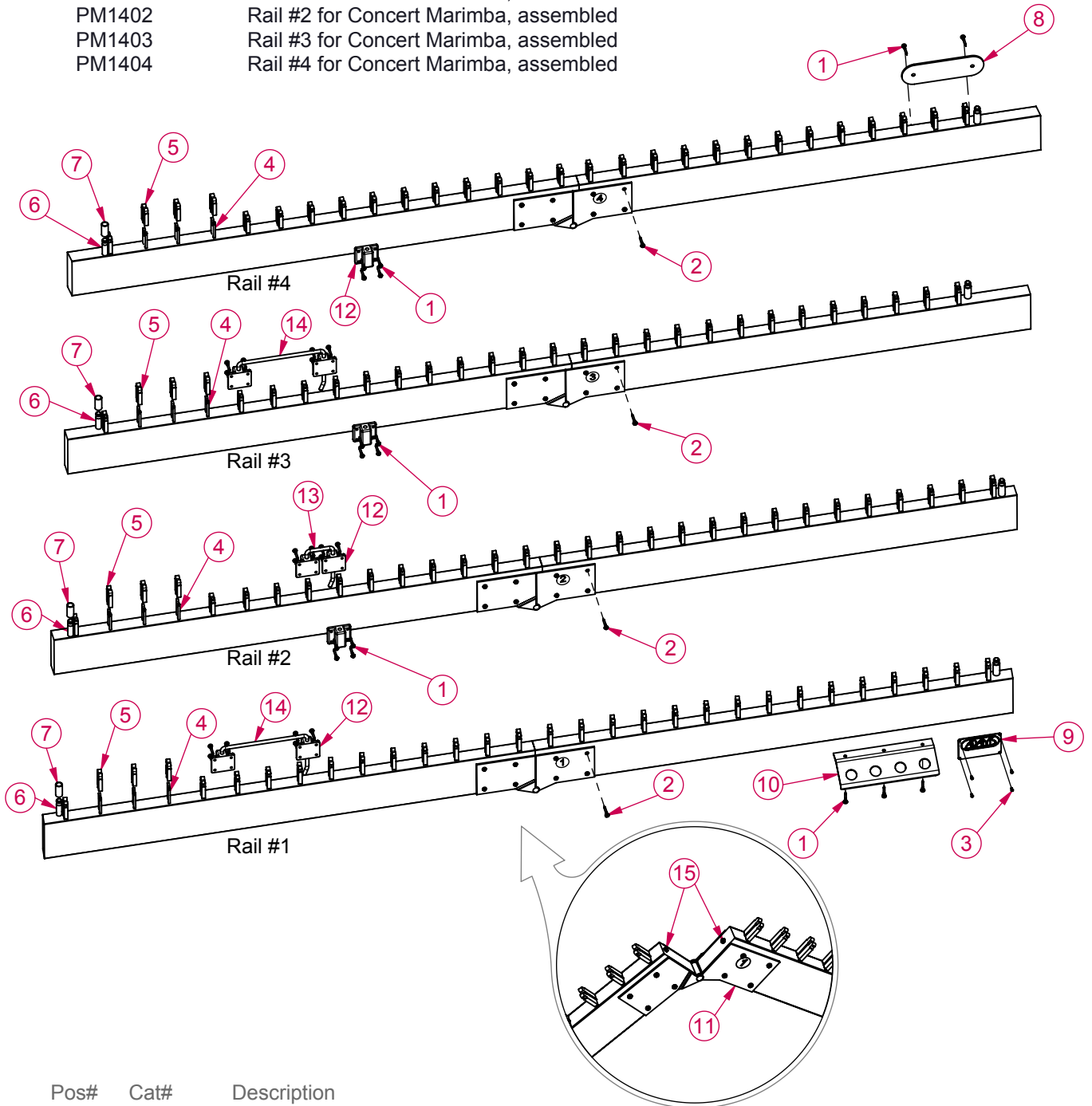
Cat#	Description
055	Small end piece for solist/concert octave tuned xylophone
057	Small end piece for concert xylophone, quint tuned



Pos#	Cat#	Description
1	PB125	Countersunk head tapping screw, black, 3.5 x 32 mm
2	PB129	Cross recessed countersunk head screw, black, 3.5 x 30 mm
3	PM004	Plain washer rubber 13 x 10 x 23, black
4	PM008	Rubber for resonator, nr. 1
5	PD005	Countersunk head screw m8 x 32 mm, black
6	PM029	Suspension bracket for rails nr. 1, black
7	PM030	Suspension bracket for rails nr. 2, black
8	PM031	Suspension bracket for rails nr. 3, black

Set of rails for Marimba Concert

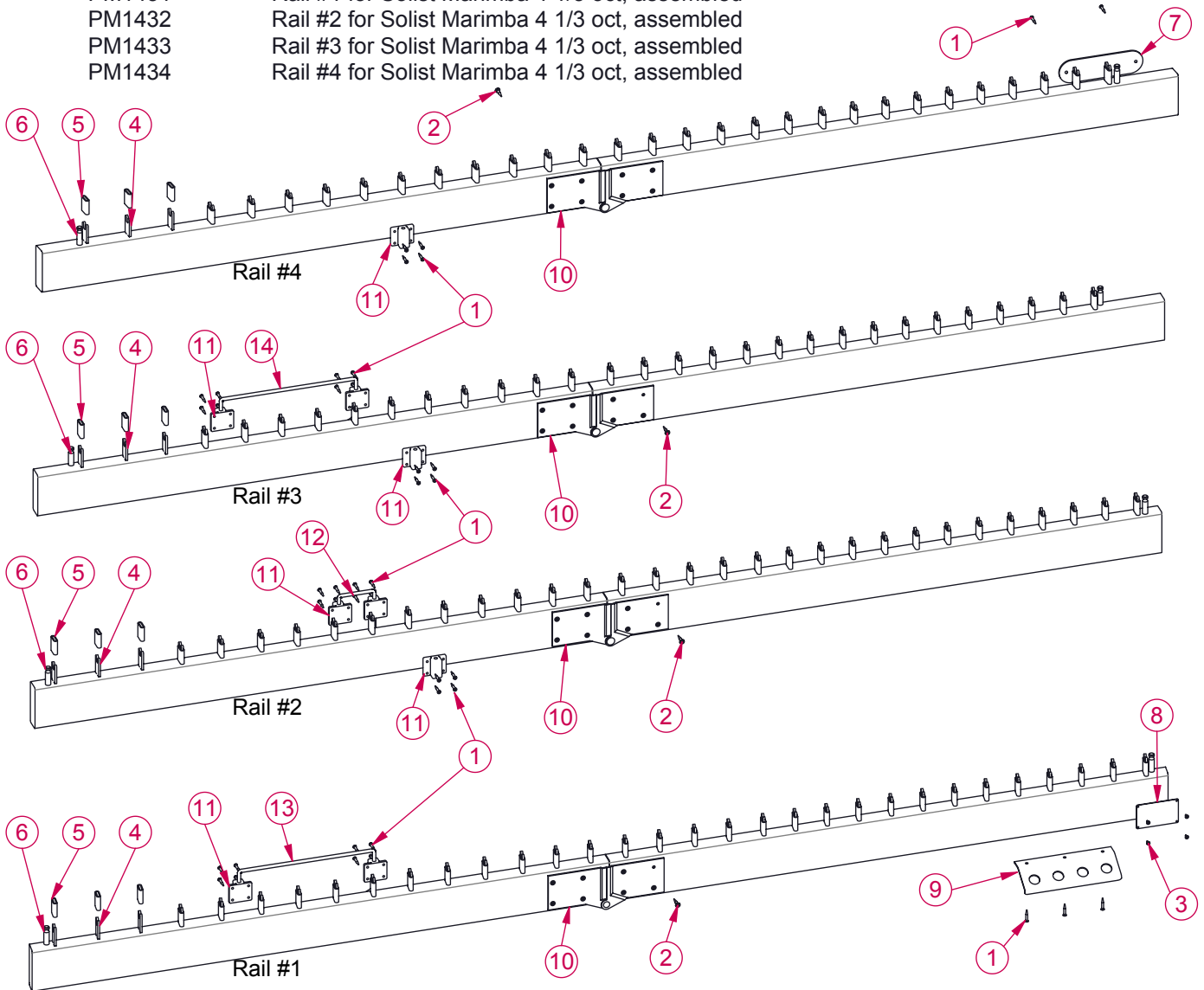
Cat#	Description
029	Set of rails for Concert Marimba, assembled
PM1401	Rail #1 for Concert Marimba, assembled
PM1402	Rail #2 for Concert Marimba, assembled
PM1403	Rail #3 for Concert Marimba, assembled
PM1404	Rail #4 for Concert Marimba, assembled



Pos#	Cat#	Description
1	PB124	Head tapping screw 2.9x19 mm, black
2	PB128	Cross recessed countersunk head tapping screw 3.5x20, black
3	PB141	Cross recessed panhead tapping screw 2.2x6.5, black
4	PM104	Gaf open
5	PM000	Rubber buffer cap, black
6	PM043	Cilindrical corner pen
7	PM002	Rubber sleeve Ø11xØ7,5x21, black
8	PM106	Name plate Adams, gold
9	PM114	Type plate Adams: Marimba Concert
10	PM056	Mallet holder for marimba / xylophone
11	PB717	Hinge for rails marimba
12	PM016	Rubber distance block
13	PMA06	Spacer bracket, 55 mm
14	PMA07	Spacer bracket, 179 mm
15	PB121	Cross recessed countersunk head tapping screw 4.8x19, black

Set of rails for Marimba Soloist

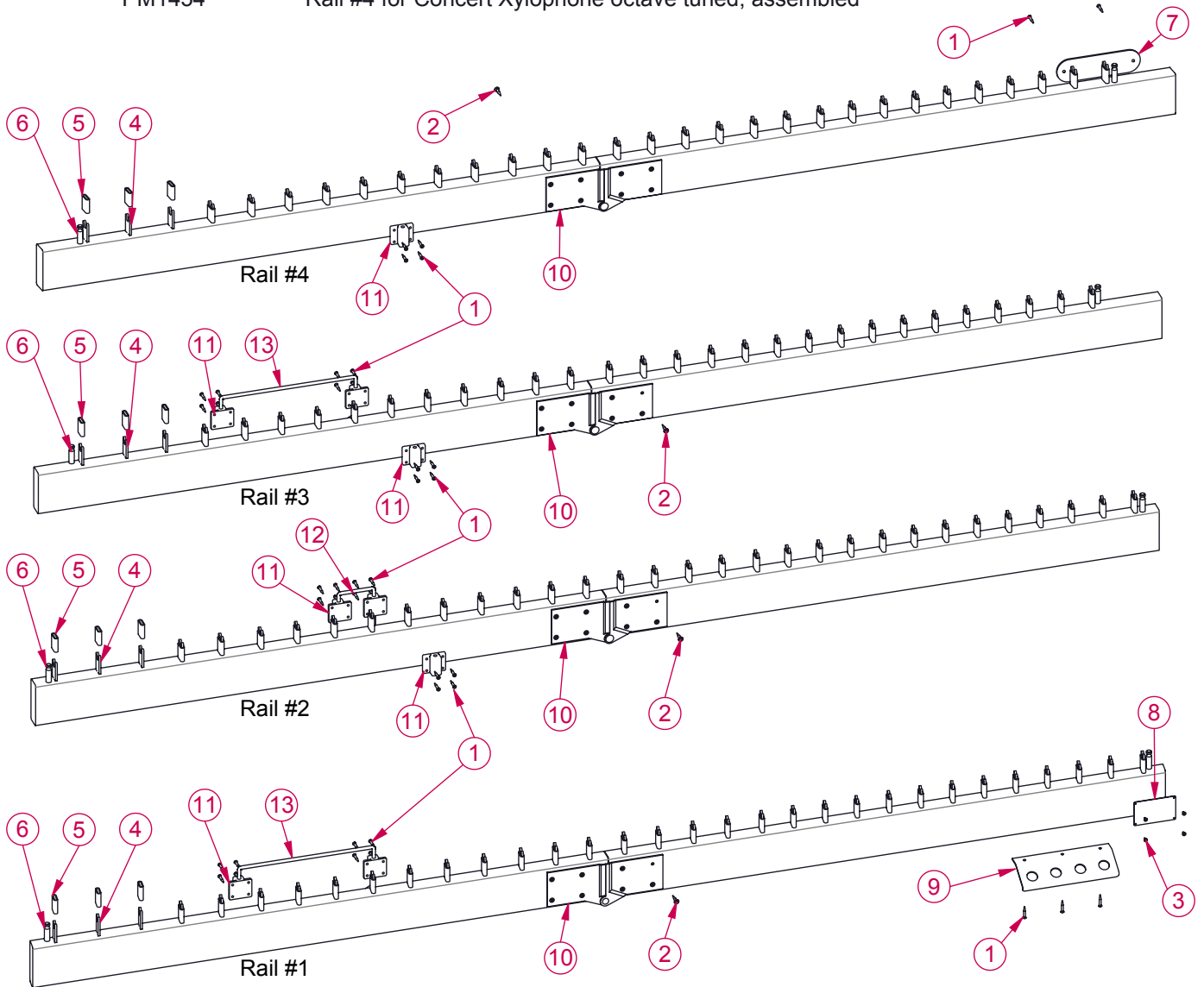
Cat#	Description
030	Set of rails for Solist Junior Marimba 3 oct, assembled
PM1411	Rail #1 for Solist Junior Marimba 3 oct, assembled
PM1412	Rail #2 for Solist Junior Marimba 3 oct, assembled
PM1413	Rail #3 for Solist Junior Marimba 3 oct, assembled
PM1414	Rail #4 for Solist Junior Marimba 3 oct, assembled
031	Set of rails for Solist Marimba 4 oct, assembled
PM1421	Rail #1 for Solist Marimba 4 oct, assembled
PM1422	Rail #2 for Solist Marimba 4 oct, assembled
PM1423	Rail #3 for Solist Marimba 4 oct, assembled
PM1424	Rail #4 for Solist Marimba 4 oct, assembled
032	Set of rails for Solist Marimba 4 1/3 oct, assembled
PM1431	Rail #1 for Solist Marimba 4 1/3 oct, assembled
PM1432	Rail #2 for Solist Marimba 4 1/3 oct, assembled
PM1433	Rail #3 for Solist Marimba 4 1/3 oct, assembled
PM1434	Rail #4 for Solist Marimba 4 1/3 oct, assembled



Pos#	Cat#	Description	
1	PB124	Head tapping screw 2.9x19 mm, black	
2	PB128	Cross recessed countersunk head tapping screw 3.5x20, black	
3	PB141	Cross recessed panhead tapping screw 2.2x6.5, black	
4	PM104	Gaf open	
5	PM003A	Rubber sleeve 12x10x23, black	
6	PM043	Cylindrical corner pen	
7	PM106	Name plate Adams, gold	
8	PM115	Type plate Adams: Marimba Solist	
9	PM056	Mallet holder for marimba / xylophone	
10	PB717	Hinge for rails marimba	
11	PM016	Rubber distance block	ONLY for Marimba Solist 4 1/3 oct.
12	PMA08	Spacer bracket, 55 mm	ONLY for Marimba Solist 4 1/3 oct.
13	PMA25	Spacer bracket, 175 mm	ONLY for Marimba Solist 4 1/3 oct.
14	PMA07	Spacer bracket, 180 mm	ONLY for Marimba Solist 4 1/3 oct.

Set of rails for Xylophone Concert

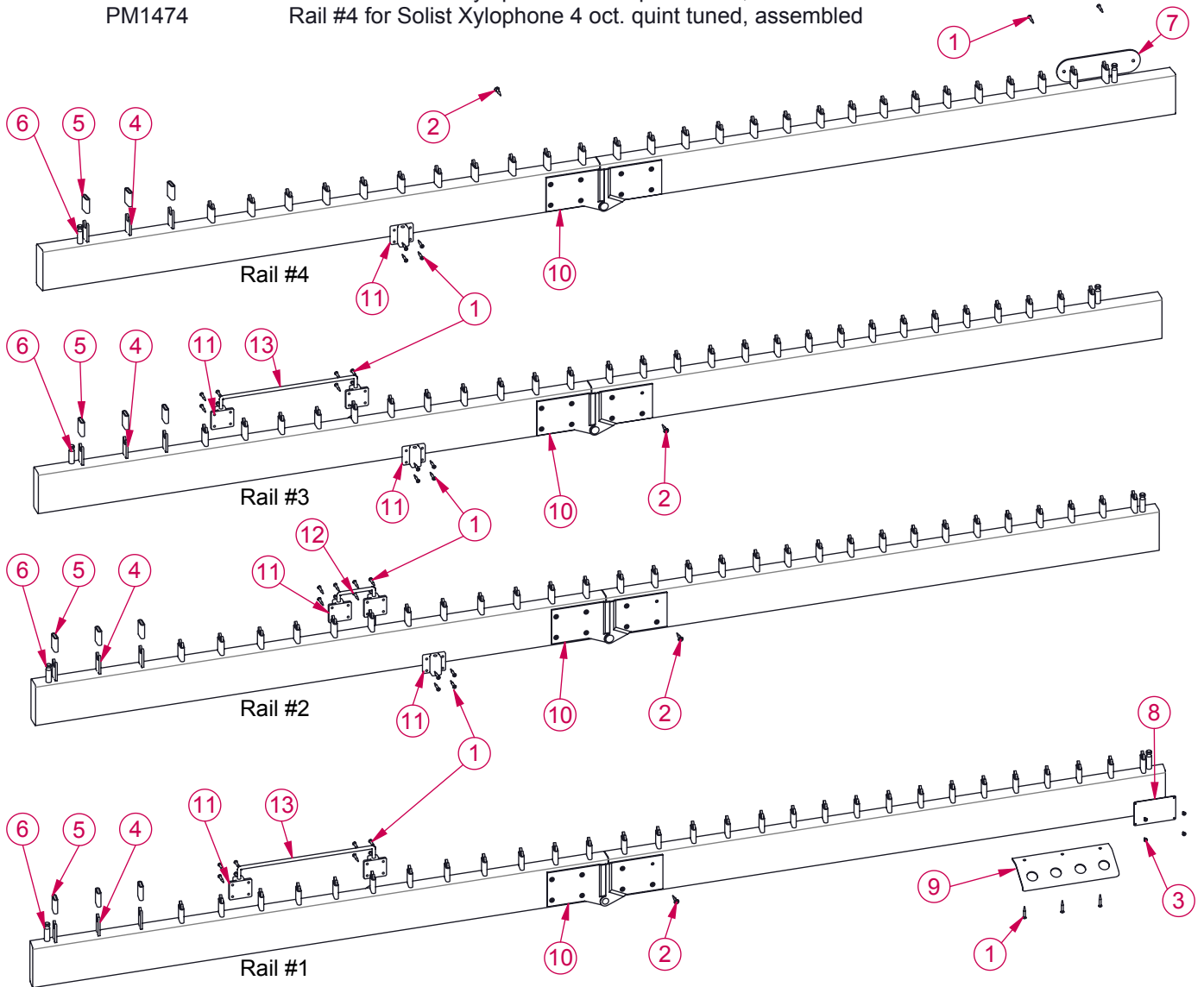
Cat#	Description
033	Set of rails for Concert Xylophone quint tuned, assembled
PM1441	Rail #1 for Concert Xylophone quint tuned, assembled
PM1442	Rail #2 for Concert Xylophone quint tuned, assembled
PM1443	Rail #3 for Concert Xylophone quint tuned, assembled
PM1444	Rail #4 for Concert Xylophone quint tuned, assembled
034	Set of rails for Concert Xylophone octave tuned, assembled
PM1451	Rail #1 for Concert Xylophone octave tuned, assembled
PM1452	Rail #2 for Concert Xylophone octave tuned, assembled
PM1453	Rail #3 for Concert Xylophone octave tuned, assembled
PM1454	Rail #4 for Concert Xylophone octave tuned, assembled



Pos#	Cat#	Description
1	PB124	Head tapping screw 2.9x19 mm, black
2	PB128	Cross recessed countersunk head tapping screw 3.5x20, black
3	PB141	Cross recessed panhead tapping screw 2.2x6.5, black
4	PM104	Gaf open
5	PM003A	Rubber sleeve 12x10x23, black
6	PM043	Cylindrical corner pen
7	PM106	Name plate Adams, gold
8	PM115	Type plate Adams: Xylophone Concert
9	PM056	Mallet holder for marimba / xylophone
10	PB717	Hinge for rails marimba
11	PM016	Rubber distance block
12	PMA08	Spacer bracket, 55 mm
13	PMA26	Spacer bracket, 173 mm for Xylophone Concert quint tuned
14	PMA27	Spacer bracket, 180 mm for Xylophone Concert octave tuned

Set of rails for Xylophone Soloist *quint tuned*

Cat#	Description
035	Set of rails for Solist Xylophone 3.5 oct. quint tuned, assembled
PM1461	Rail #1 for Solist Xylophone 3.5 oct. quint tuned, assembled
PM1462	Rail #2 for Solist Xylophone 3.5 oct. quint tuned, assembled
PM1463	Rail #3 for Solist Xylophone 3.5 oct. quint tuned, assembled
PM1464	Rail #4 for Solist Xylophone 3.5 oct. quint tuned, assembled
036	Set of rails for Solist Xylophone 4 oct. quint tuned, assembled
PM1471	Rail #1 for Solist Xylophone 4 oct. quint tuned, assembled
PM1472	Rail #2 for Solist Xylophone 4 oct. quint tuned, assembled
PM1473	Rail #3 for Solist Xylophone 4 oct. quint tuned, assembled
PM1474	Rail #4 for Solist Xylophone 4 oct. quint tuned, assembled

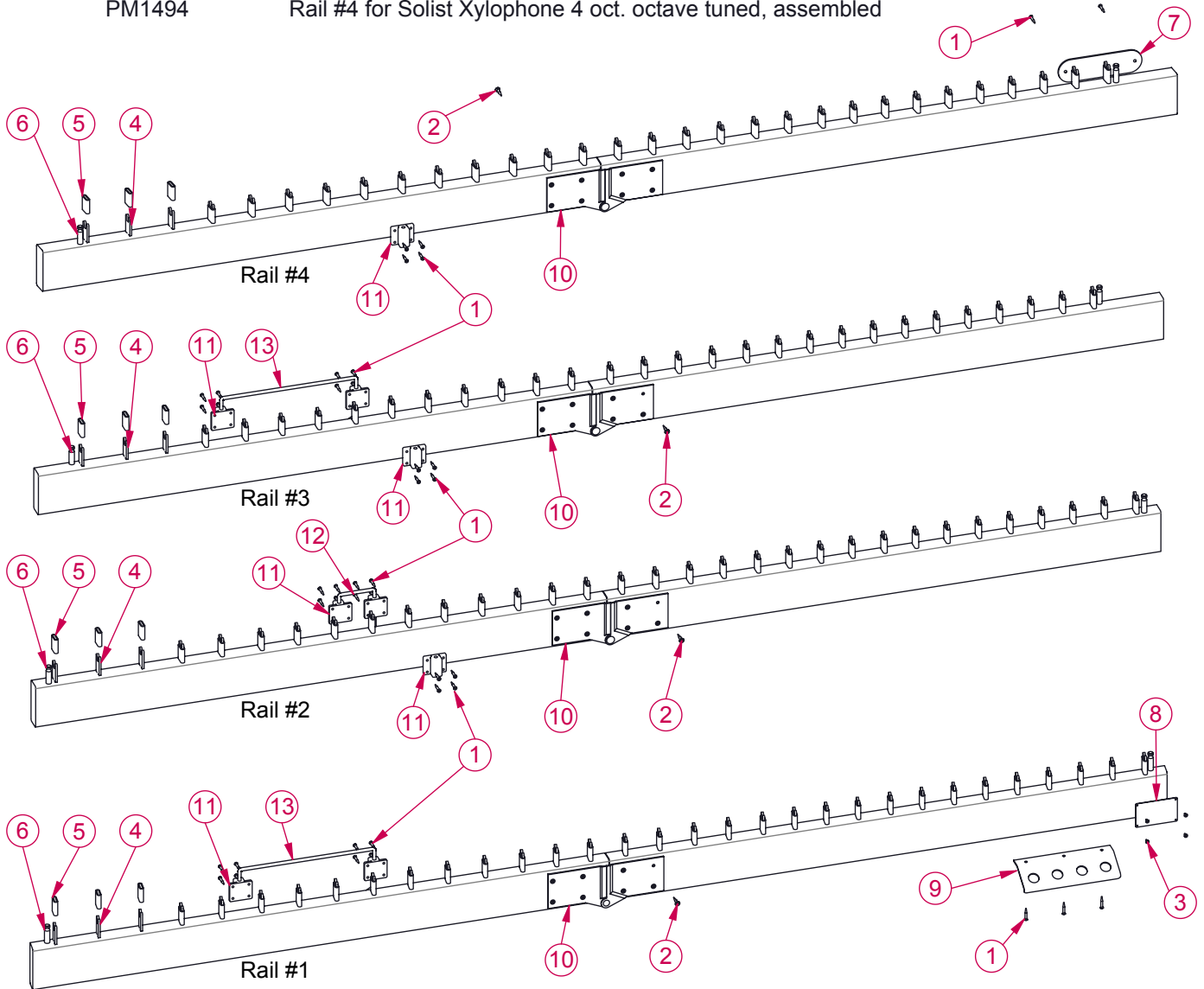


Pos#	Cat#	Description
1	PB124	Head tapping screw 2.9x19 mm, black
2	PB128	Cross recessed countersunk head tapping screw 3.5x20, black
3	PB141	Cross recessed panhead tapping screw 2.2x6.5, black
4	PM104	Gaf open
5	PM003A	Rubber sleeve 12x10x23, black
6	PM043	Cylindrical corner pen
7	PM106	Name plate Adams, gold
8	PM115	Type plate Adams: Xylophone Soloist
9	PM056	Mallet holder for marimba / xylophone
10	PB717	Hinge for rails marimba
11	PM016	Rubber distance block
12	PMA23	Spacer bracket, 40 mm
13	PMA24	Spacer bracket, 130 mm

Set of rails for Xylophone Soloist

octave tuned

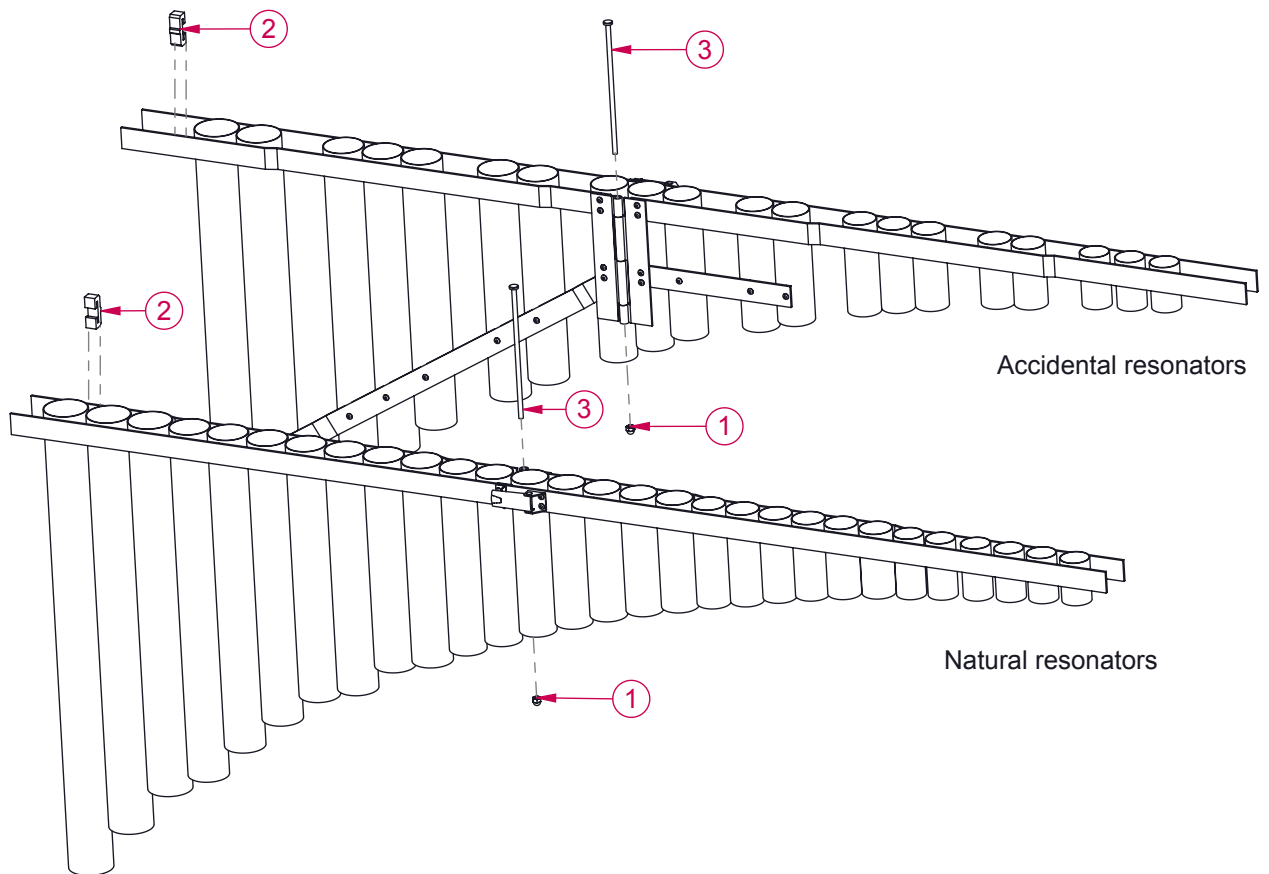
Cat#	Description
037	Set of rails for Solist Xylophone 3.5 oct. octave tuned, assembled
PM1481	Rail #1 for Solist Xylophone 3.5 oct. octave tuned, assembled
PM1482	Rail #2 for Solist Xylophone 3.5 oct. octave tuned, assembled
PM1483	Rail #3 for Solist Xylophone 3.5 oct. octave tuned, assembled
PM1484	Rail #4 for Solist Xylophone 3.5 oct. octave tuned, assembled
038	Set of rails for Solist Xylophone 4 oct. octave tuned, assembled
PM1491	Rail #1 for Solist Xylophone 4 oct. octave tuned, assembled
PM1492	Rail #2 for Solist Xylophone 4 oct. octave tuned, assembled
PM1493	Rail #3 for Solist Xylophone 4 oct. octave tuned, assembled
PM1494	Rail #4 for Solist Xylophone 4 oct. octave tuned, assembled



Pos#	Cat#	Description
1	PB124	Head tapping screw 2.9x19 mm, black
2	PB128	Cross recessed countersunk head tapping screw 3.5x20, black
3	PB141	Cross recessed panhead tapping screw 2.2x6.5, black
4	PM104	Gaf open
5	PM003A	Rubber sleeve 12x10x23, black
6	PM043	Cilindrical corner pen
7	PM106	Name plate Adams, gold
8	PM115	Type plate Adams: Xylophone Solist
9	PM056	Mallet holder for marimba / xylophone
10	PB717	Hinge for rails marimba
11	PM016	Rubber distance block
12	PMA21	Spacer bracket, 30 mm
13	PMA22	Spacer bracket, 107 mm

Resonators Marimba

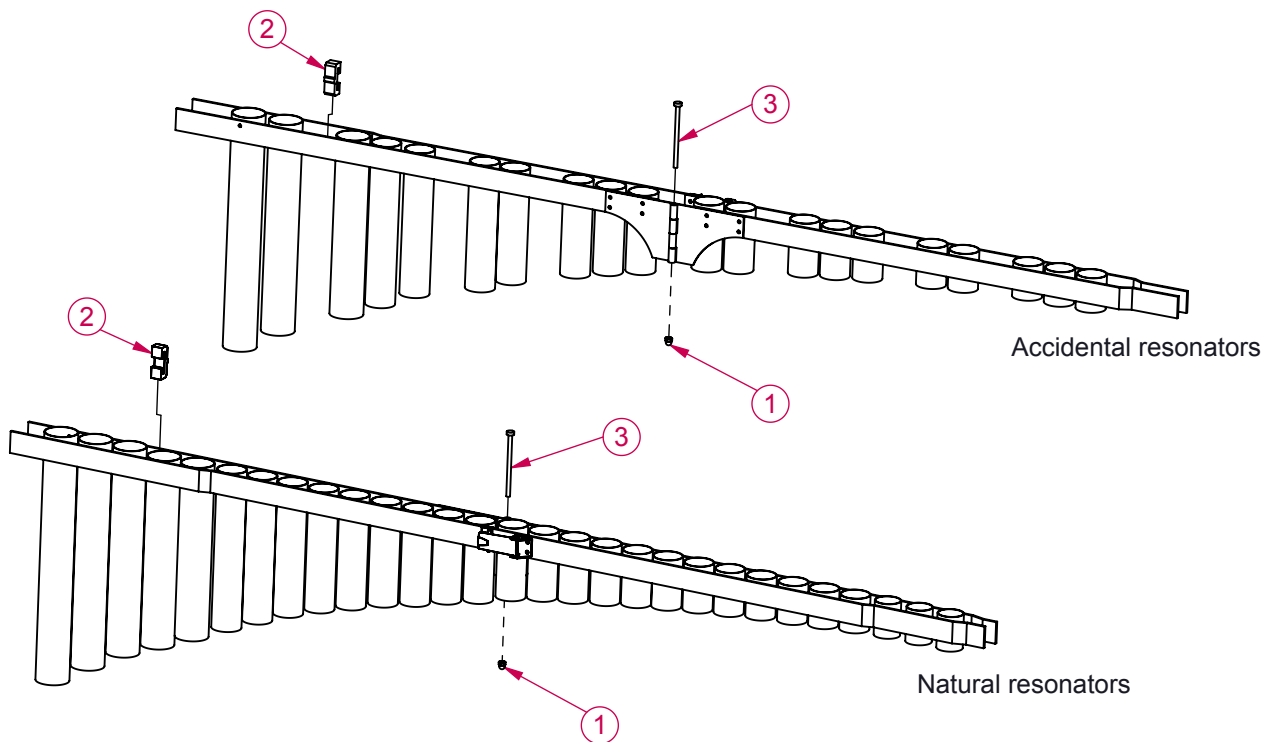
Cat#	Description
005	Set of resonators Concert Marimba, assembled
005A	Accidental resonators Concert Marimba, assembled
005B	Natural resonators Concert Marimba, assembled
006	Set of resonators Solist Junior Marimba 3 oct., assembled
006A	Accidental resonators Solist Junior Marimba 3 oct., assembled
006B	Natural resonators Solist Junior Marimba 3 oct., assembled
007	Set of resonators Solist Marimba 4 oct., assembled
007A	Accidental resonators Solist Marimba 4 oct., assembled
007B	Natural resonators Solist Marimba 4 oct., assembled
008	Set of resonators Solist Marimba 4 1/3 oct., assembled
008A	Accidental resonators Solist Marimba 4 1/3 oct., assembled
008B	Natural resonators Solist Marimba 4 1/3 oct., assembled



Pos#	Cat#	Description
1	PB321	Hexagon domed cap nuts M6, black
2	PM150	Rubber protection
3	PB712	Hinge bolt M6x175 mm, black

Resonators Xylophone

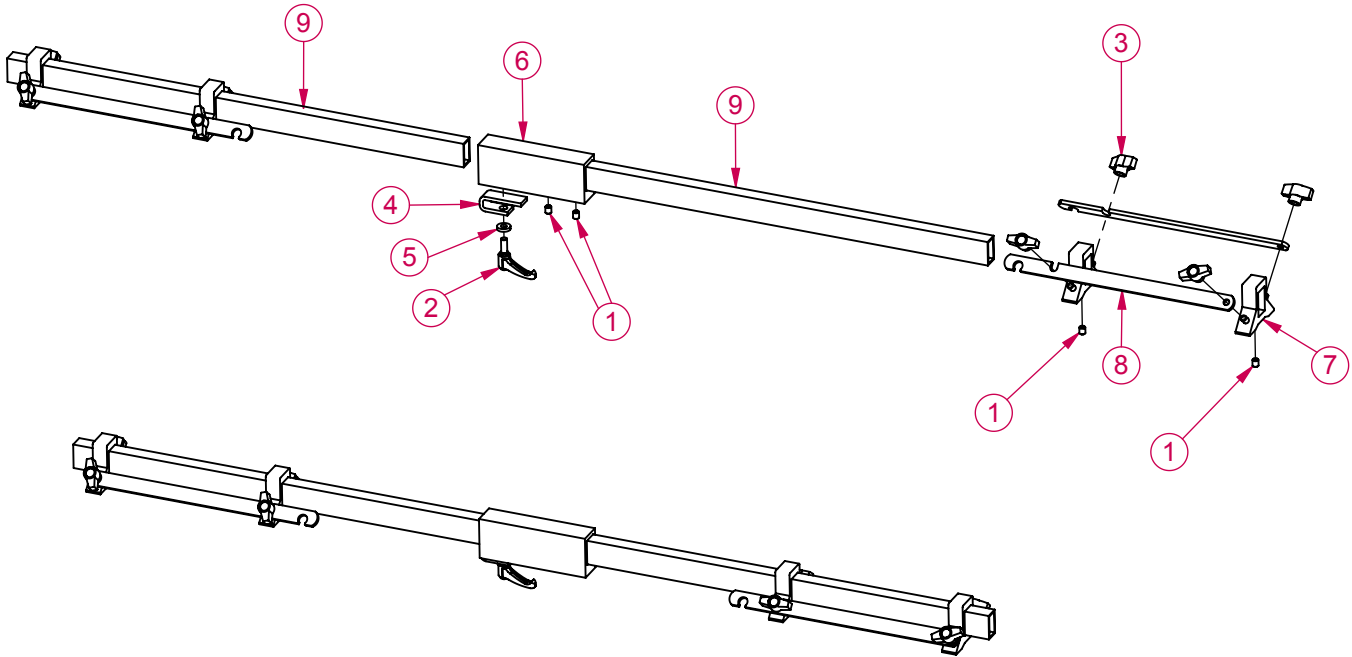
Cat#	Description
009	Set of resonators Concert Xylophone quint tuned, assembled
009A	Accidental resonators Concert Xylophone quint tuned, assembled
009B	Natural resonators Concert Xylophone quint tuned, assembled
010	Set of resonators Concert Xylophone octave tuned, assembled
010A	Accidental resonators Concert Xylophone octave tuned, assembled
010B	Natural resonators Concert Xylophone octave tuned, assembled
011	Set of resonators Solist Xylophone 3.5 oct., assembled
011A	Accidental resonators Solist Xylophone 3.5 oct., assembled
011B	Natural resonators Solist Xylophone 3.5 oct., assembled
012	Set of resonators Solist Xylophone 4 oct., assembled
012A	Accidental resonators Solist Xylophone 4 oct., assembled
012B	Natural resonators Solist Xylophone 4 oct., assembled



Pos#	Cat#	Description
1	PB320	Hexagon domed cap nut M5, black
2	PM150	Rubber protection
3	PB719	Hinge bolt M5, black

Connecting rod

Cat#	Description
PMA71	Connecting rod concert marimba, assembled
PMA44	Connecting rod solist junior marimba 3 oct., assembled
PMA72	Connecting rod solist marimba 4 oct., assembled
PMA73	Connecting rod solist marimba 4 1/3 oct., assembled
PMA49	Connecting rod concert xylophone quint tuned, assembled
PMA48	Connecting rod concert xylophone octave tuned, assembled
PMA45	Connecting rod solist xylophone 3 1/2 oct., assembled
PMA47	Connecting rod solist xylophone zelon, assembled
PMA46	Connecting rod solist xylophone 4 oct., assembled



Pos#	Cat#	Description
1	PB098	Hexagon socket set screw M8 x 10, black
2	PB509	Wing screw plastic M8x20, black
3	PB523	Wingnut plastic M8
4	PM021	Steel insert protection
5	PM005	Plain washer rubber M3, black
6	PM024	Connection bracket for connection rod
7	PM046	Brace holder for voyager frame
8	PM045	Brace voyager frame, black
9	-	Cat# is dependet on instrument, see table I

table I (pos 9)

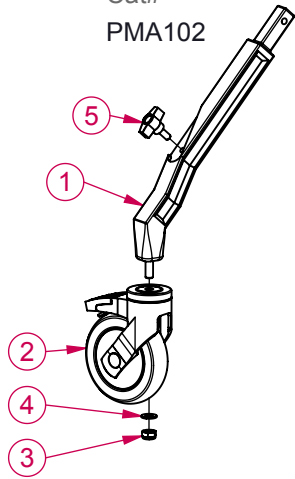
Type	Cat#	Description
MC43	PM067	Connection rod concert marimba 4 1/3 oct.
MJ30	PM059	Connection rod solist junior marimba 3 oct.
MS40	PM064	Connection rod solist marimba 4 oct.
MS43	PM065	Connection rod solist marimba 4 1/3 oct.
XC1	PM063	Connection rod concert xylophone quint tuned
XC2	PM062	Connection rod concert xylophone octave tuned
XS40	PM061	Connection rod solist xylophone 4 oct.
XS35	PM060	Connection rod solist xylophone 3.5 oct.
XSKK	PM060	Connection rod solist xylophone zelon 3.5 oct.

1552 mm length

Leg with wheel

Cat#
PMA102

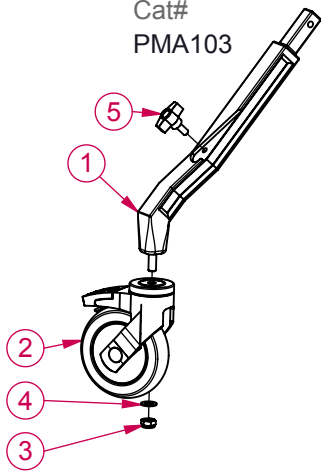
Description
LEFT leg with wheel for Marimba Solist 4 1/3 oct & Marimba Concert



Pos#	Cat#	Description
1	PM140	Left leg long model, black
2	PBW11	Castor with double break, 125 mm
3	PB312	Hexagon prevailing torque nut M10
4	PB408	Plain washer M10
5	PB508	Wing screw plastic M8x20, black

Cat#
PMA103

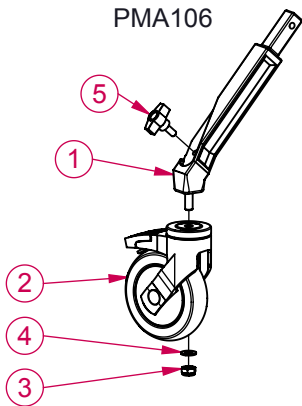
Description
RIGHT leg with wheel for Marimba Solist 4 1/3 oct & Marimba Concert



Pos#	Cat#	Description
1	PM141	Right leg long model, black
2	PBW11	Castor with double break, 125 mm
3	PB312	Hexagon prevailing torque nut M10
4	PB408	Plain washer M10
5	PB508	Wing screw plastic M8x20, black

Cat#
PMA106

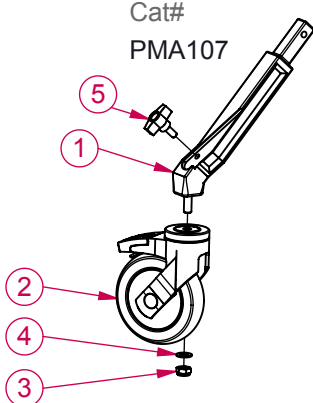
Description
LEFT leg with wheel for Xylophone & Marimba Junior 3 oct. & Marimba Solist 4 oct.



Pos#	Cat#	Description
1	PM142	Left leg short model, black
2	PBW11	Castor with double break, 125 mm
3	PB312	Hexagon prevailing torque nut M10
4	PB408	Plain washer M10
5	PB508	Wing screw plastic M8x20, black

Cat#
PMA107

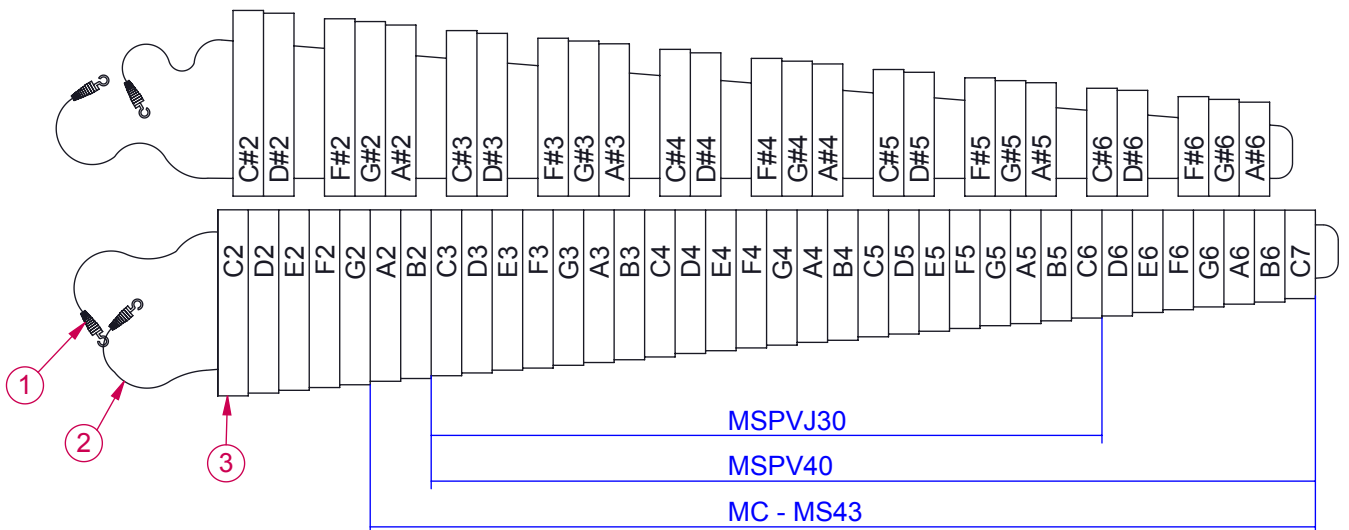
Description
RIGHT leg with wheel for Xylophone & Marimba Junior 3 oct. & Marimba Solist 4 oct.



Pos#	Cat#	Description
1	PM143	Right leg short model, black
2	PBW11	Castor with double break, 125 mm
3	PB312	Hexagon prevailing torque nut M10
4	PB408	Plain washer M10
5	PB508	Wing screw plastic M8x20, black

Set of bars, Marimba

Cat#	Description
084	Set of bars for concert marimba rosewood 4 1/3 octave
085	Set of bars for concert marimba padouk 4 1/3 octave
101	Set of bars for concert marimba zelon 4 1/3 octave
086	Set of bars for solist junior marimba padouk 3 octave
087	Set of bars for solist marimba padouk 4 octave
088	Set of bars for solist marimba padouk 4 1/3 octave
089	Set of bars for solist marimba rosewood 4 1/3 octave



Pos#	Cat#	Description
1	PBC17	Spring for cord bars
2	-	Cord set complete, cat# is dependet on instrument, see table I
3	-	Bars, cat# is dependet on instrument, see table II

table I (pos 2)

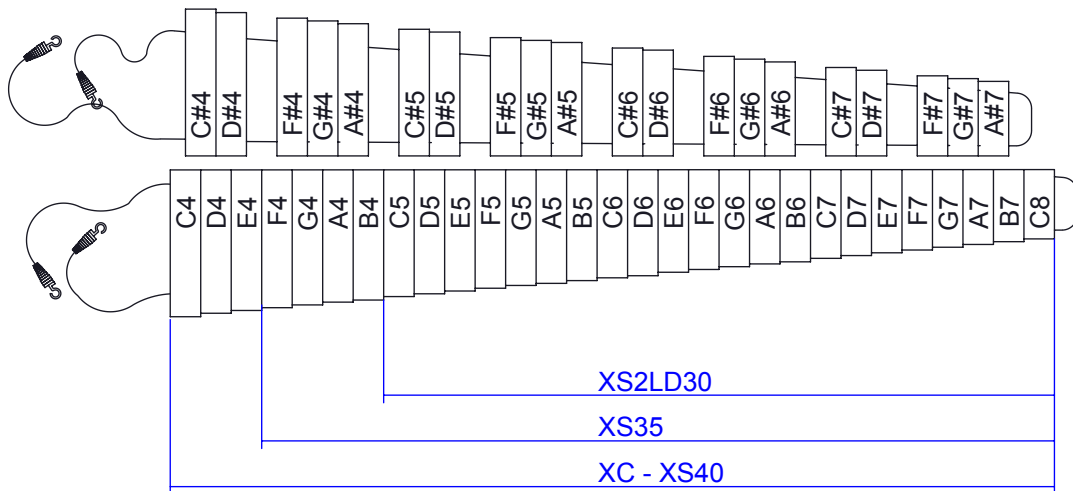
Type	Cat#	Description
MC	PM126	Cord set complete for concert marimba (2 cords + 4 springs)
MSPVJ30	PM121	Cord set complete for solist junior marimba 3 octave (2 cords + 4 springs)
MS40	PM123	Cord set complete for solist marimba 4 octave (2 cords + 4 springs)
MS43	PM125	Cord set complete for solist marimba 4 1/3 octave (2 cords + 4 springs)

table II (pos 3)

Description	Cat#	e.g.
Bar for concert marimba rosewood	MCRW + note	MCRWC4 , MCRWC#4
Bar for concert marimba padouk 4 1/3 octave	MCPD + note	MCPDC4 , MCPDC#4
Bar for concert marimba zelon 4 1/3 octave	MCSY + note	MCSYC4 , MCSYC#4
Bar for solist junior marimba padouk 3 octave	MSPD + note	MSPDC4 , MSPDC#4
Bar for solist marimba padouk 4 octave	MSPD + note	MSPDC4 , MSPDC#4
Bar for solist marimba padouk 4 1/3 octave	MSPD + note	MSPDC4 , MSPDC#4
Bar for solist marimba rosewood 4 1/3 octave	MSRW + note	MSRWC4 , MSRWC#4

Set of bars, xylophone

Cat#	Description
090	Set of bars for concert xylophone rosewood, quint tuned
091	Set of bars for concert xylophone rosewood, octave tuned
092	Set of bars for solist xylophone rosewood 3.5 octave, quint tuned
093	Set of bars for solist xylophone rosewood 4 octave, quint tuned
094	Set of bars for solist xylophone rosewood 3.5 octave, octave tuned
095	Set of bars for solist xylophone rosewood 4 octave, octave tuned
096	Set of bars for solist xylophone zelon 3.5 oct., octave tuned
098	Set of bars for solist xylophone light rosewood 3.5 octave
099	Set of bars for solist xylophone light rosewood 4 octave
100	Set of bars for solist xylophone zelon 3.5 oct., quint tuned



Pos#	Cat#	Description
1	PBC17	Spring for cord bars
2	-	Cord set complete, cat# is dependet on instrument, see table I
3	-	Bars, cat# is dependet on instrument, see table II

table I (pos 2)

Type	Cat#	Description
XC1	PM124	Cord set complete for concert xylophone, quint tuned (2 cords + 4 springs)
XC2	PM123	Cord set complete for concert xylophone, octave tuned (2 cords + 4 springs)
XS135	PM120	Cord set complete for solist xylophone 3.5 oct., quint tuned (2 cords + 4 springs)
XS140	PM122	Cord set complete for solist xylophone 4 oct., quint tuned (2 cords + 4 springs)
XS235	PM120	Cord set complete for solist xylophone 3.5 oct., octave tuned (2 cords + 4 springs)
XS240	PM122	Cord set complete for solist xylophone 4 oct., octave tuned (2 cords + 4 springs)

table II (pos 3)

Description	Cat#	e.g.
Bars for concert xylophone rosewood, quint tuned	XC1RW + note	XC1RWC5 or XC1RWC#5
Bars for concert xylophone rosewood, octave tuned	XC2RW + note	XC2RWC5 or XC2RWC#5
Bars for solist xylophone rosewood, quint tuned	XS1RW + note	XS1RWC5 or XS1RWC#5
Bars for solist xylophone rosewood, octave tuned	XS2RW + note	XS2RWC5 or XS2RWC#5
Bars for solist xylophone light rosewood	XS2LR + note	XS2LRC5 or XS2LRC#5
Bars for solist xylophone zelon, quint tuned	XS1SY + note	XS1SYC5 or XS1SYC#5
Bars for solist xylophone zelon, octave tuned	XS2SY + note	XS2SYC5 or XS2SYC#5