



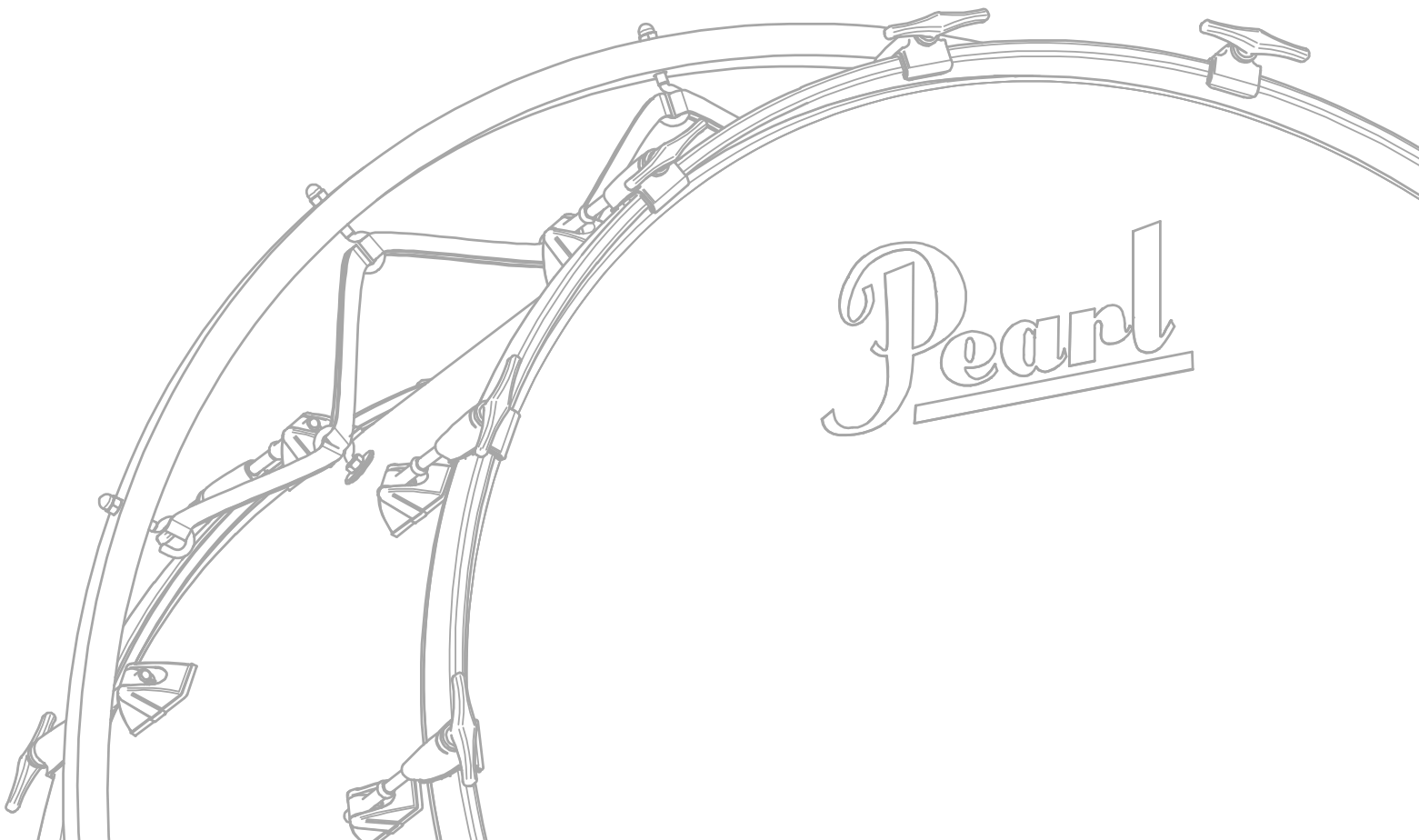
CONCERT BASS DRUM SUSPENDED STAND

STBD28 / STBD32 / STBD36 / STBD36F / STBD40

ASSEMBLY AND ADJUSTMENT GUIDE

Please read these step-by-step instructions before assembling your new Pearl STBD Concert Bass Drum Suspended Stand.

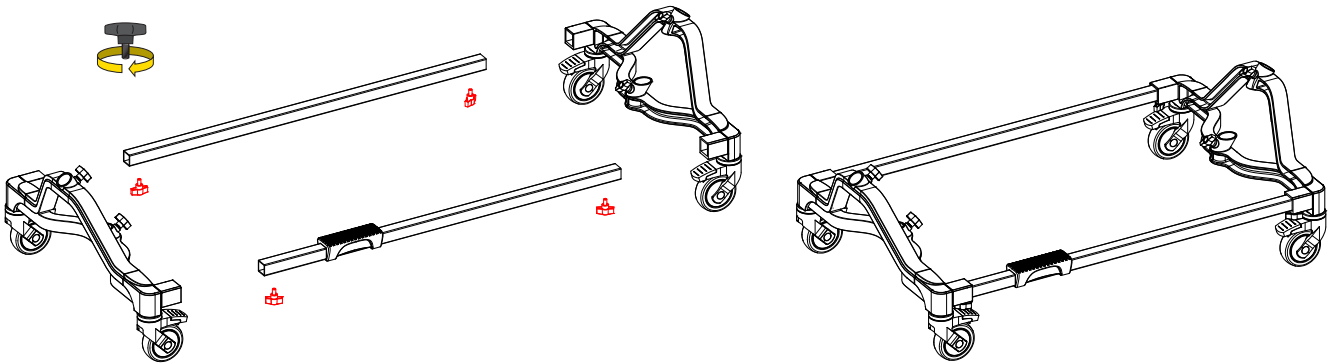
Assemble the stand with two people. Steps 4 - 7 are easier with additional assistance.





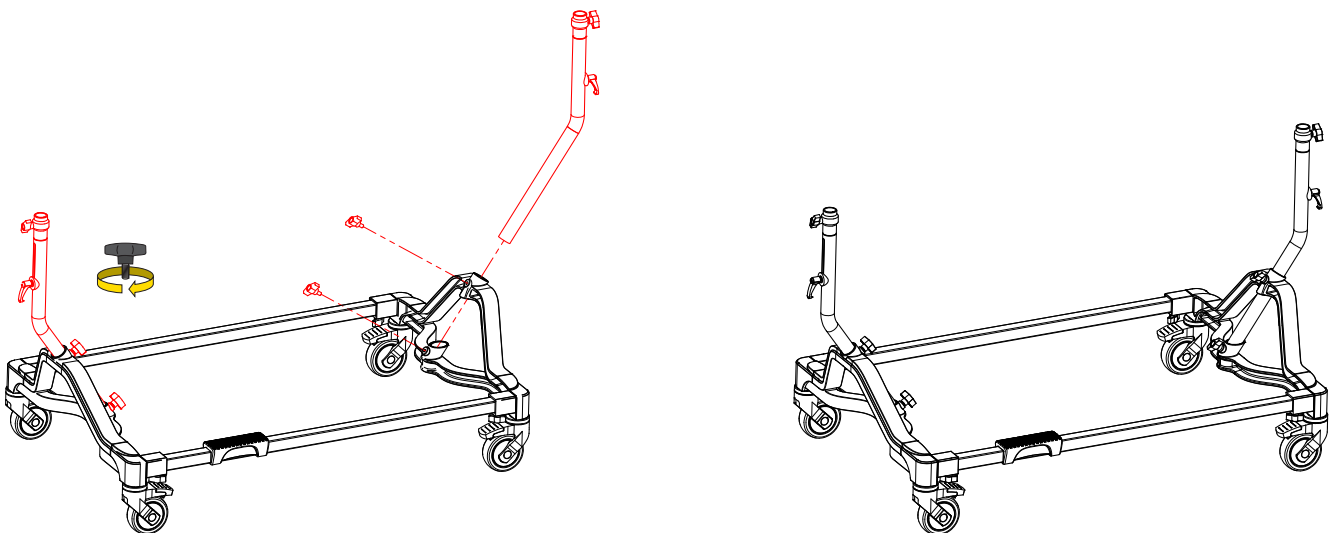
1

Attach the connection rods to the side pieces and secure in place with the wing screws.



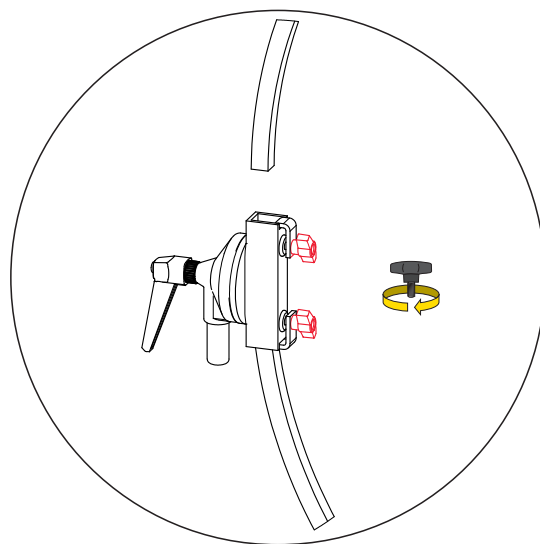
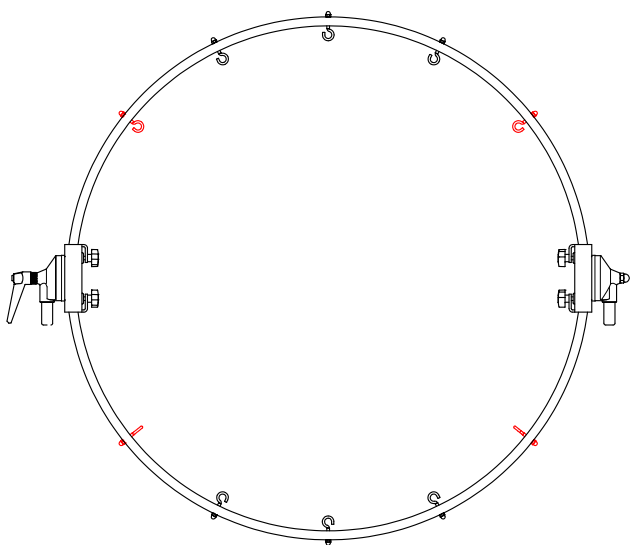
2

Insert the height adjustable side supports into the side pieces and secure in place with the wing screws.



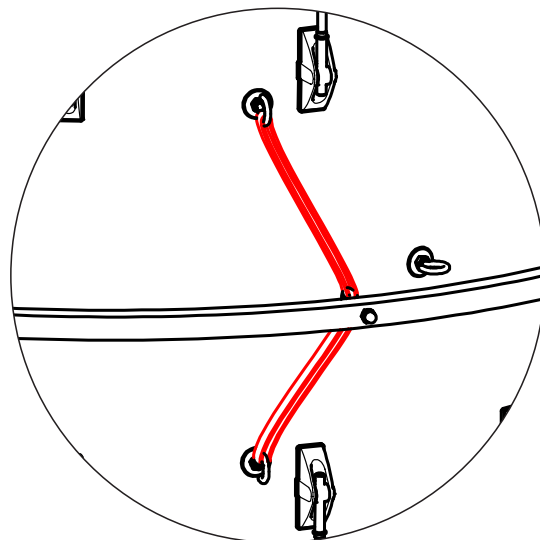
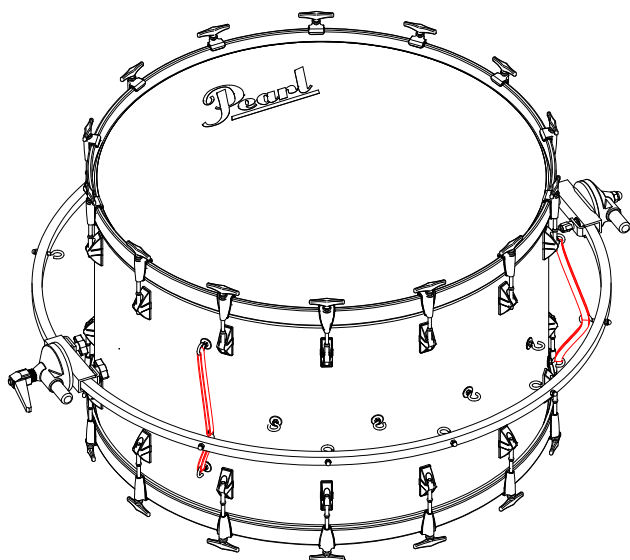
3

The two halves of the suspension ring are different. The half with two hooks turned sideways is the bottom half of the ring. As seen in the drawings, connect the two halves of the suspension ring with the tilter mechanisms. Secure in place with the wing screws.



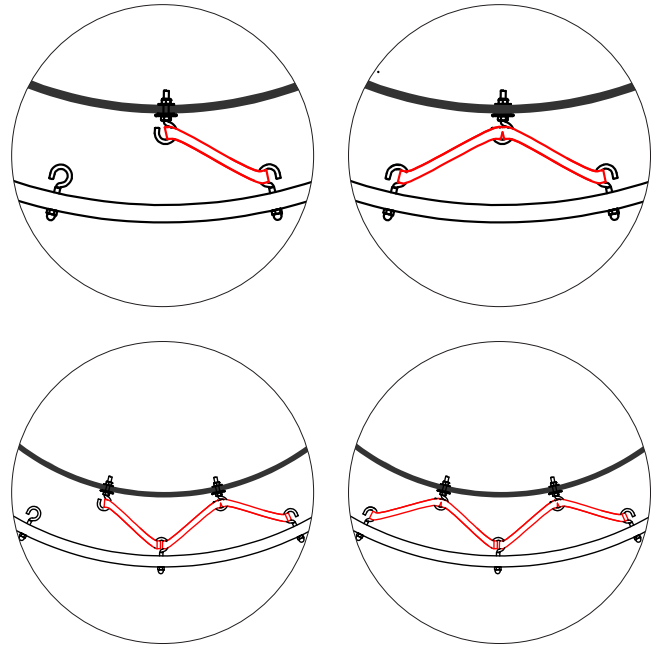
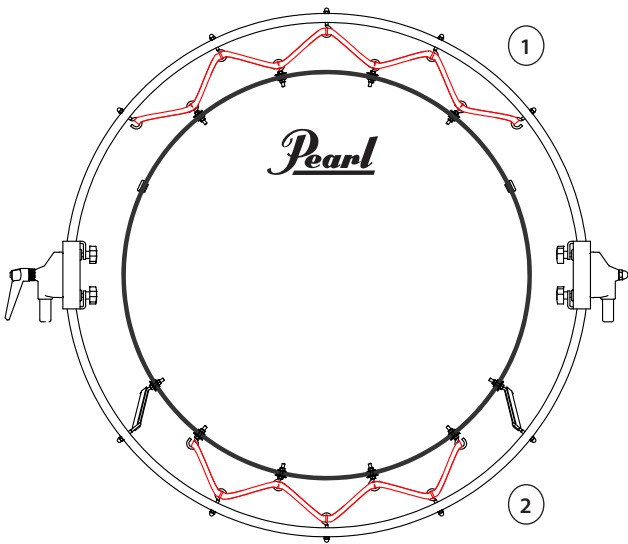
4

Set the bass drum on the floor and place the ring around it. Position the logo opposite the bottom side of the ring. Connect the drum to the two sideways hooks on the bottom half of the ring. Attaching the ring to the drum can be take some time to complete. Be careful to keep the ring away from the drum shell. Do not attach all of the bands on this side of the ring at this time.



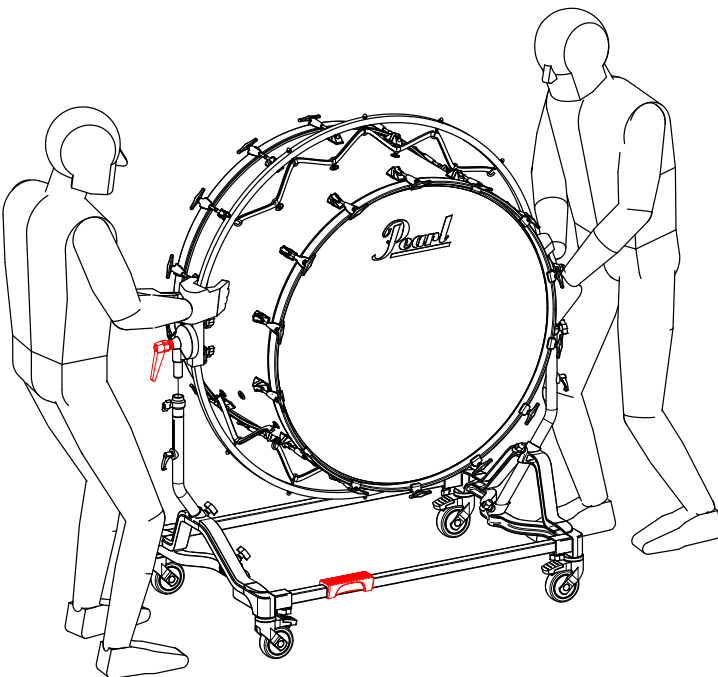
5

Fully connect the suspension ring to the drum. First connect the top half and then the bottom half. Connect hook to hook as seen in the drawings.



6

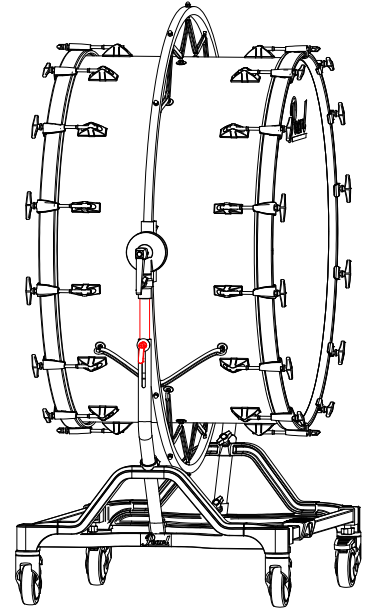
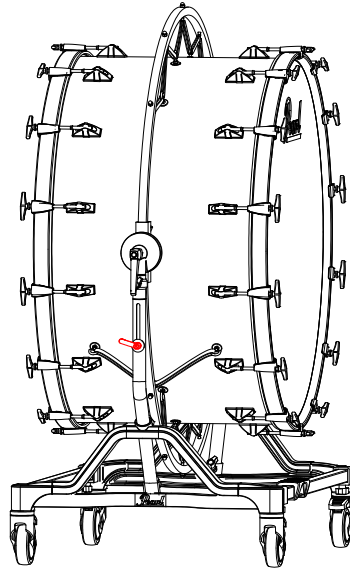
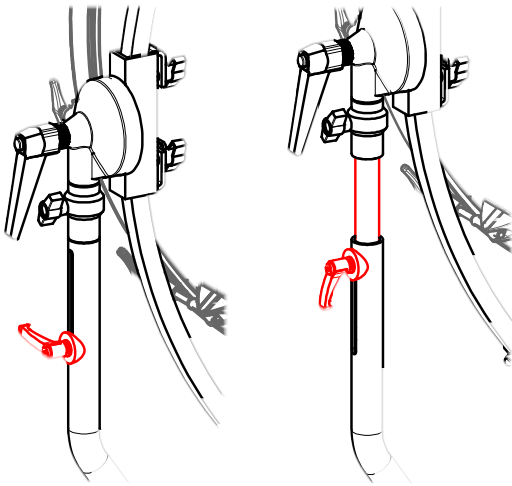
Insert the tilting mechanisms into the side supports and secure in place with the wing screws. Note the position of the locking handle relative to the footrest.





7

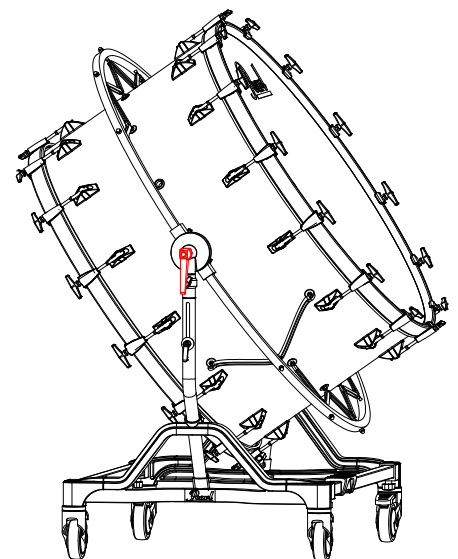
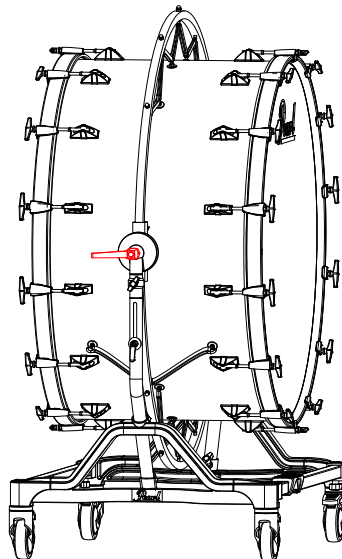
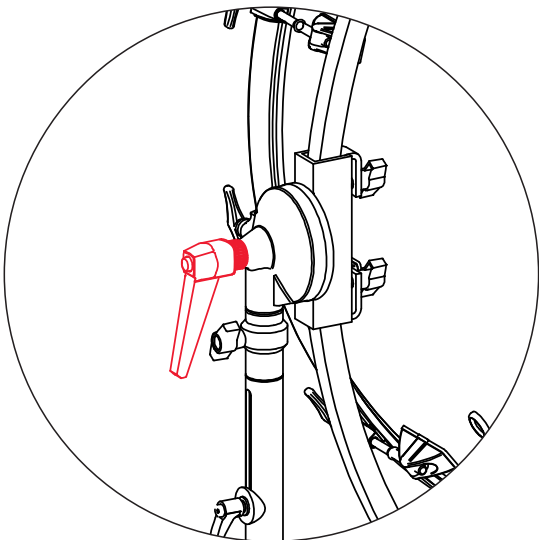
Height Adjustment: With two people, adjust the height of both sides at the same time. Loosen the locking handles, lift to the desired height, and then secure in place with the locking handles.



8

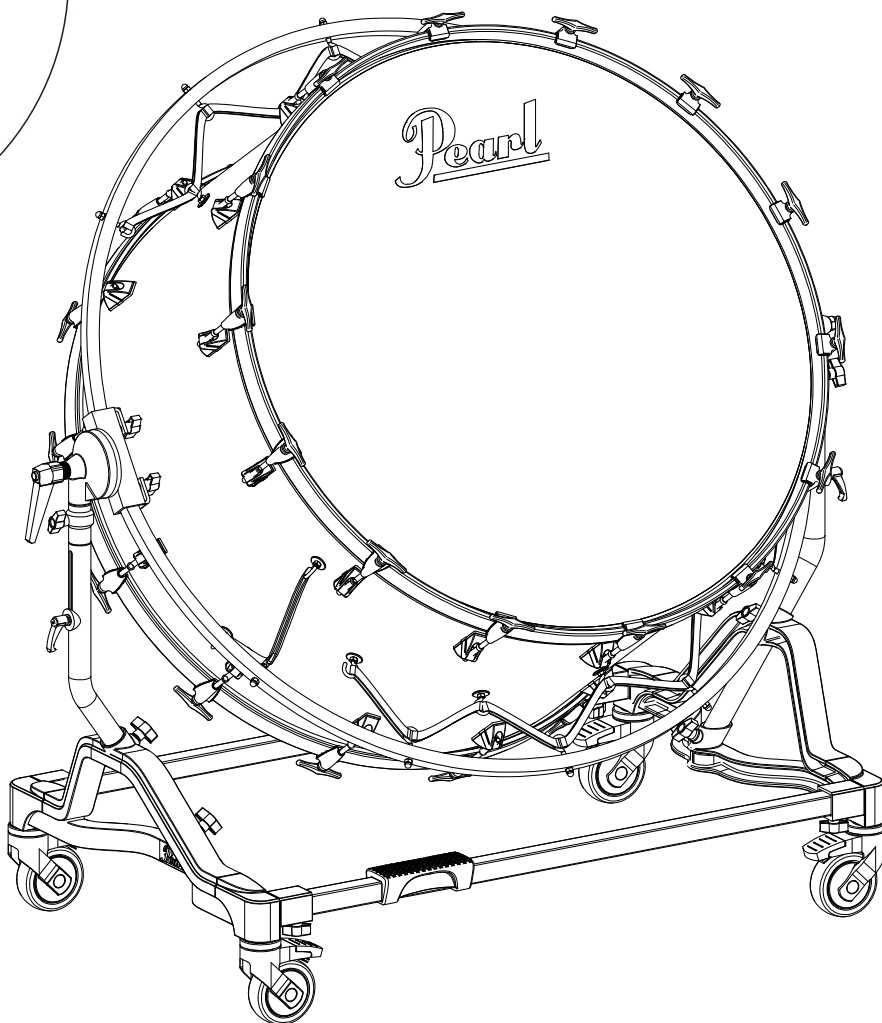
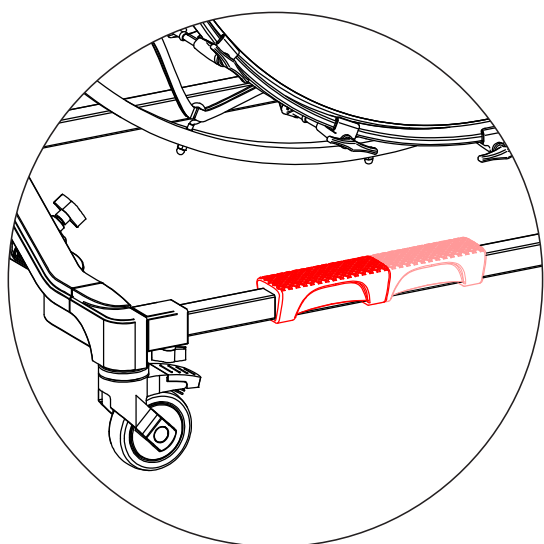
Tilting Adjustment: Loosen the locking handle, tilt the drum to the desired angle, and then secure in position with the locking handle.

The tilting mechanism requires little pressure to hold the drum in position. Do not overtighten the locking handle!



9

Adjust the position of the footrest.



Pearl[®]

PEARLDRUM.COM